

<b>Model</b>	REFERENCE_DB60L		
<b>Creator</b>	PASATHORN	<b>.BCP Name</b>	INDEX_C3D_KITCHEN2
<b>Reviewer</b>		<b>Order</b>	I002762
<b>Approves</b>	P.SAWAI	<b>Date</b>	13/11/2023

## REFERENCE\_DB60L-600X570X888

### Colour

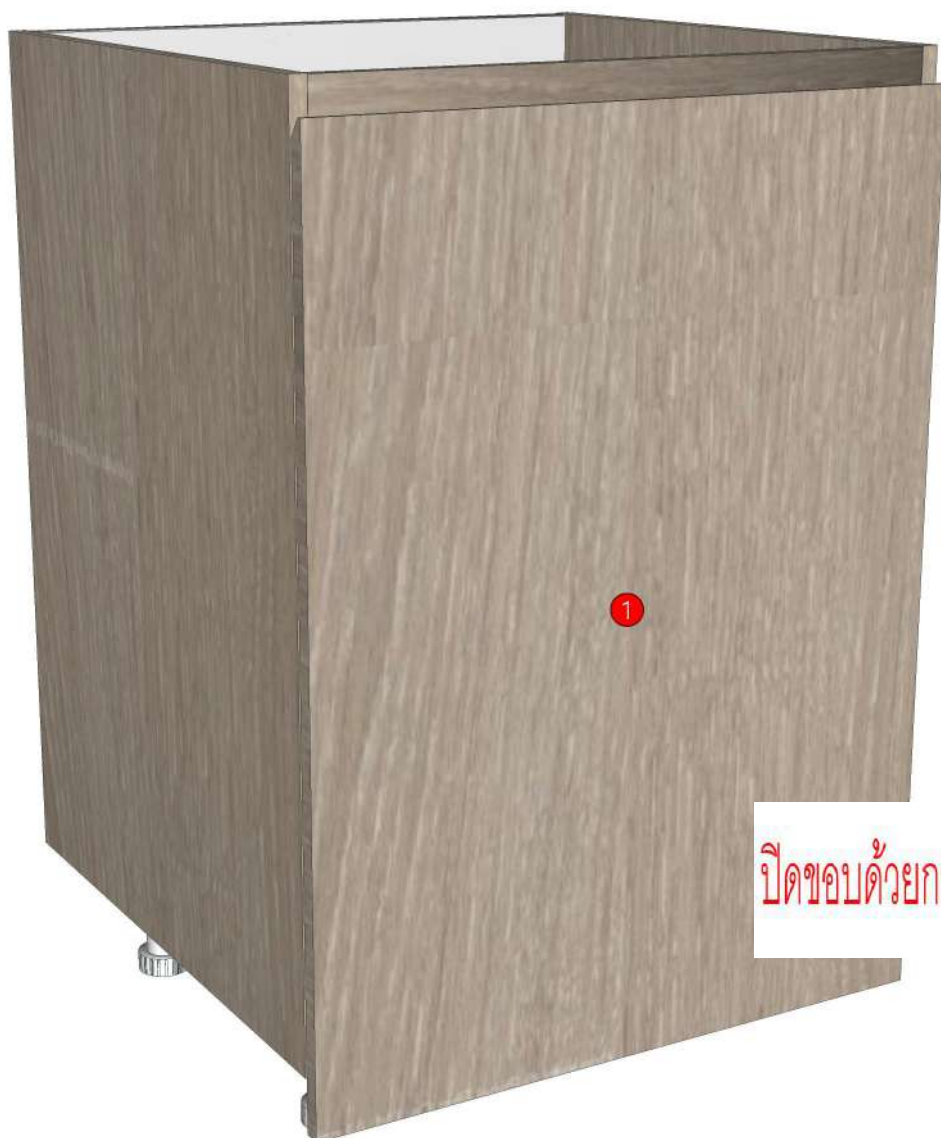
02.43=FOIL AP7 AQ-152-12KBWG (AQ PAPER)  
03.13=PVC WHITE#630 T0.15MM.  
20.24=ML AE9V (PEARL)

### Edge

01.255=1 RHODES AP7  
01.47=1 WHITE

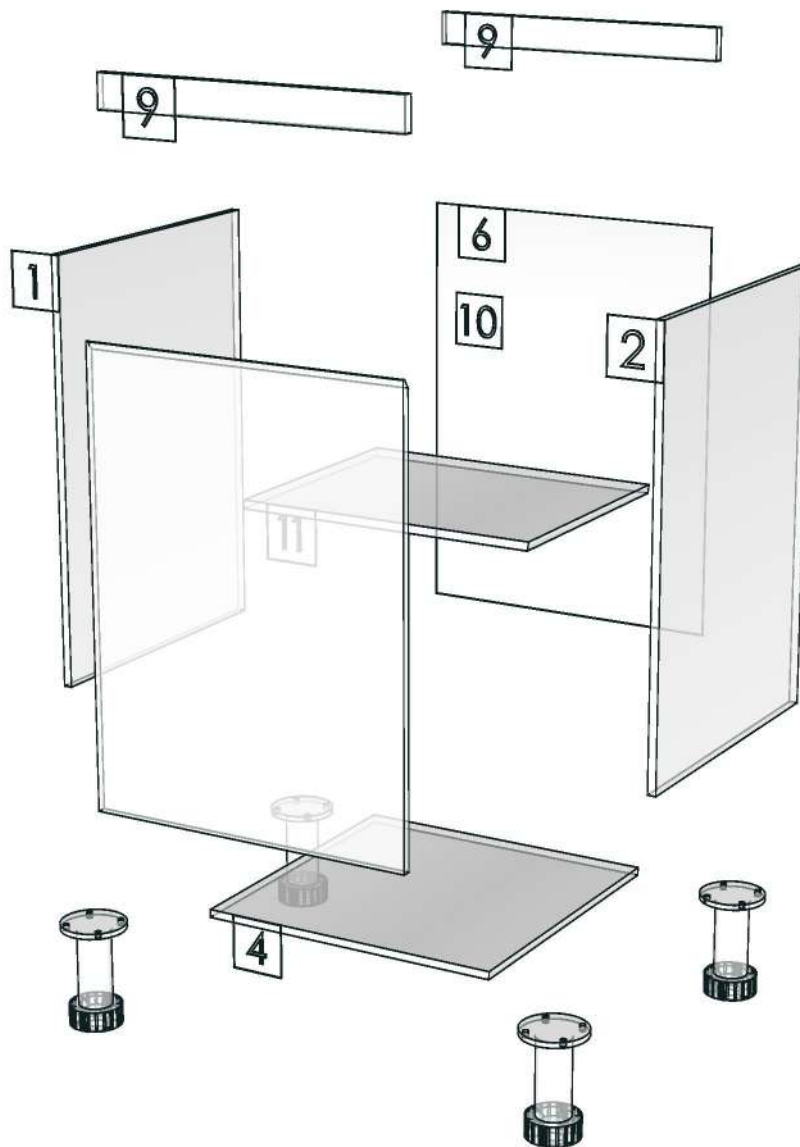
<b>R&amp;D REVIEW</b>	
<input checked="" type="checkbox"/>	DWG.Customer
<input checked="" type="checkbox"/>	Work Report
<input type="checkbox"/>	Function
<input type="checkbox"/>	สินค้าตรงตัวอย่าง
ผู้ทบทวน P.SAWAI	
13/11/2023	

K119R-160134173



ปิดขอบด้วยกาว PUR

<b>Model</b>	-REFERENCE_DB60L		
<b>Creator</b>		<b>.BCP Name</b>	INDEX_C3D_KITCHEN2
<b>Reviewer</b>		<b>Order</b>	I002762
<b>Approves</b>		<b>Date</b>	



<b>Model</b>	REFERENCE_DBS60R		
<b>Creator</b>	PASATHORN	<b>.BCP Name</b>	INDEX_C3D_KITCHEN2
<b>Reviewer</b>		<b>Order</b>	I002408
<b>Approves</b>	P.SAWAI	<b>Date</b>	28/06/2023

## REFERENCE\_DBS60R-600X570X888

### Colour

02.43=FOIL AP7 AQ-152-12KBWG (AQ PAPER)  
03.13=PVC WHITE#630 T0.15MM.

### Edge

01.255=1 RHODES AP7

<b>R&amp;D REVIEW</b>	
<input checked="" type="checkbox"/>	DWG.Customer
<input checked="" type="checkbox"/>	Work Report
<input type="checkbox"/>	Function
<input type="checkbox"/>	สินค้าตรงตัวอย่าง
ผู้ทบทวน <u>P.SAWAI</u>	
<u>28/06/2023</u>	

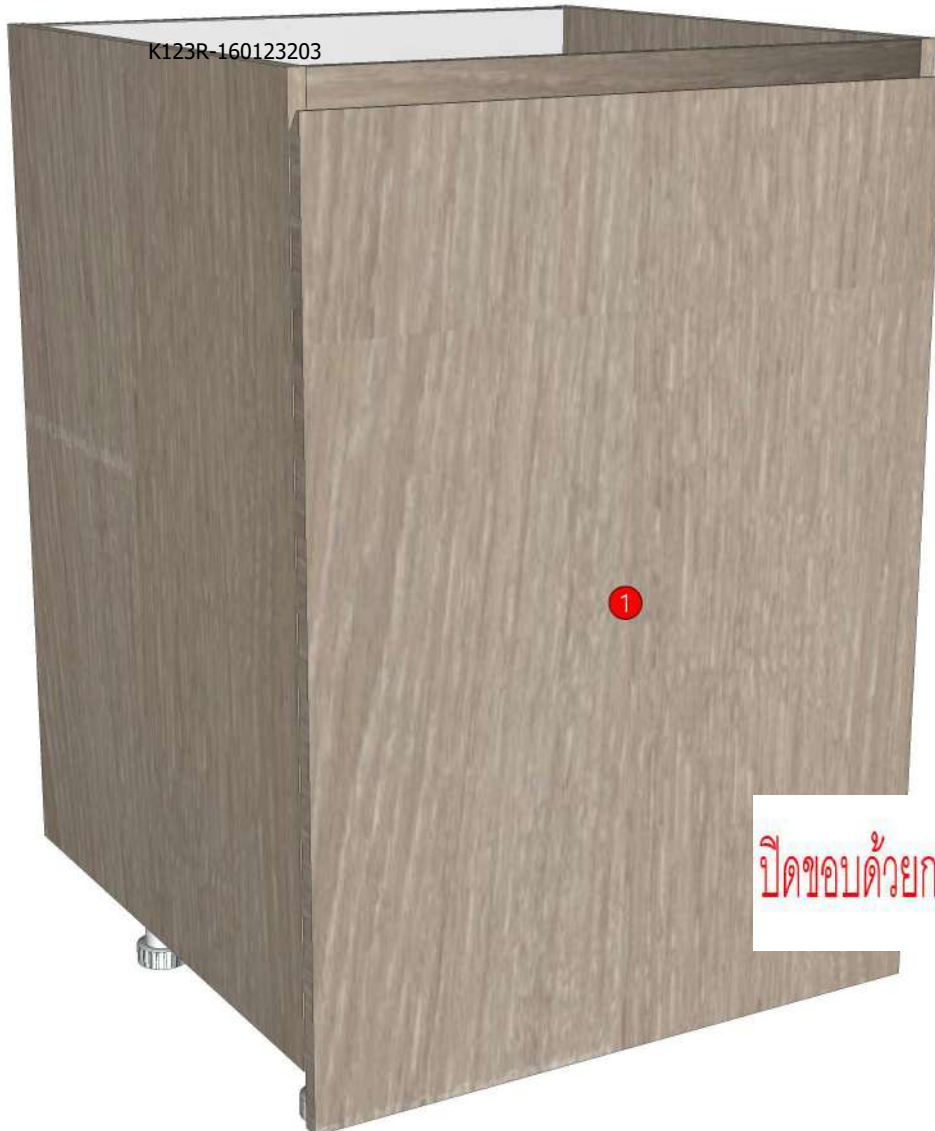
K105R-160131209

K119R-160134173



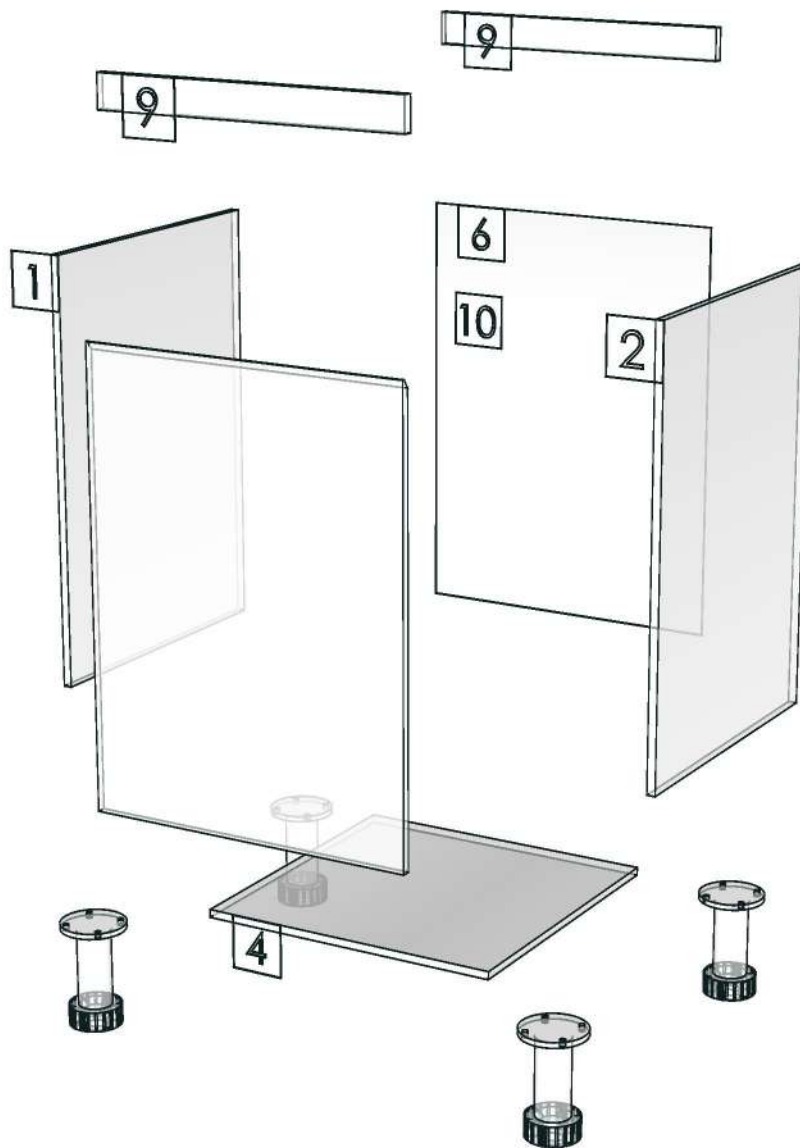
K108R-160123129

K123R-160123203



ปิดขอบด้วยกาว PUR

<b>Model</b>	-REFERENCE_DBS60R		
<b>Creator</b>		<b>.BCP Name</b>	INDEX_C3D_KITCHEN2
<b>Reviewer</b>		<b>Order</b>	I002408
<b>Approves</b>		<b>Date</b>	



<b>Model</b>	REFERENCE_DB501R		
<b>Creator</b>	PASATHORN	<b>.BCP Name</b>	INDEX_C3D_KITCHEN2
<b>Reviewer</b>		<b>Order</b>	I002761
<b>Approves</b>	P.SAWAI	<b>Date</b>	13/11/2023

## REFERENCE\_DB501R-500X570X888

**Colour**

- 02.43=FOIL AP7 AQ-152-12KBWG (AQ PAPER)
- 02.56=PAPER FOIL 60GMS.WHITE PEARL #VC-70146-MB-60G
- 20.24=ML AE9V (PEARL)
- 03.13=PVC WHITE#630 T0.15MM.

**Edge**

- 01.255=1 RHODES AP7
- 01.47=1 WHITE



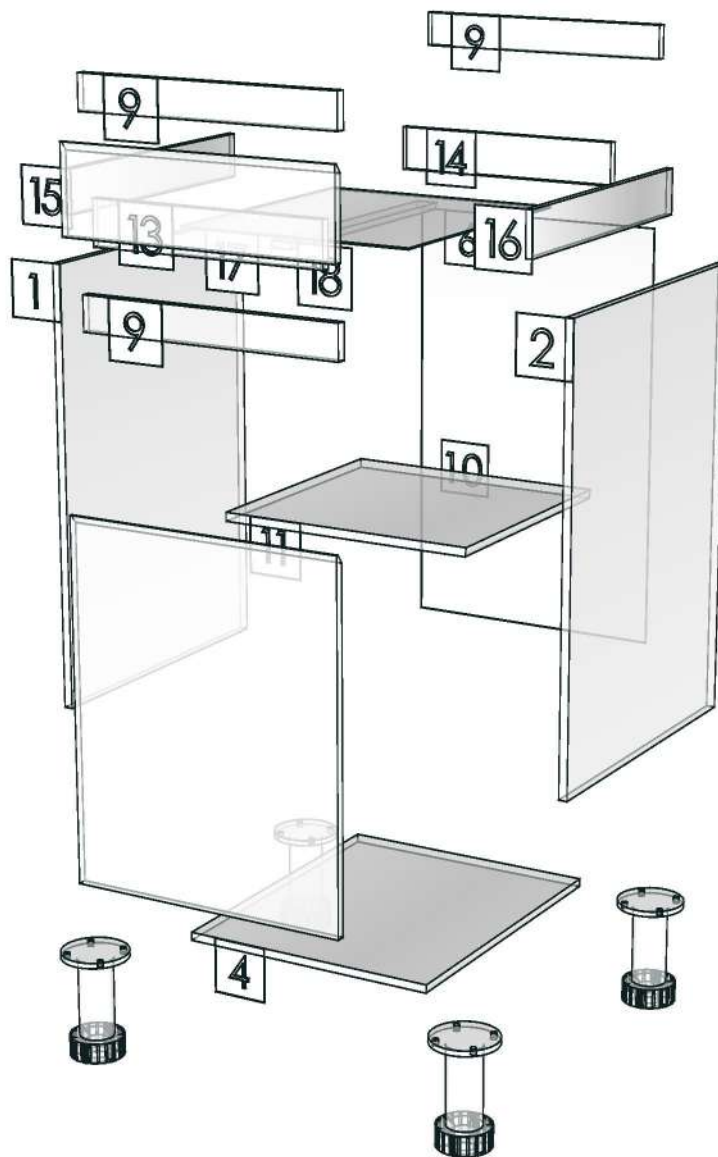
K119R-160134173



ปิดขอบด้วยกาว PUR

<b>Model</b>	-REFERENCE_DB501R		
<b>Creator</b>		<b>.BCP Name</b>	INDEX_C3D_KITCHEN2
<b>Reviewer</b>		<b>Order</b>	I002761
<b>Approves</b>	P. SAWAI	<b>Date</b>	

12



<b>Model</b>	REFERENCE_DBH602		
<b>Creator</b>	PASATHORN	<b>.BCP Name</b>	INDEX_C3D_KITCHEN2
<b>Reviewer</b>		<b>Order</b>	I002425
<b>Approves</b>	P.SAWAI	<b>Date</b>	30/06/2023

## REFERENCE\_DBH602-600X570X888

### Colour

02.43=FOIL AP7 AQ-152-12KBWG (AQ PAPER)

20.56=ML.GREY MK3238 (MATT)

20.07=ML AE9V (MATT)

03.13=PVC WHITE#630 T0.15MM.

K100L-160131166

K101L-160131176

K102L-160131186

K102R-160123111

K103R-160131196

K105R-160131209

K108L-160123120

K108R-160123129

K109R-160123138

K110R-160123152

K112L-160123160

K117L-160123170

K118R-160131219

K122L-160123183

K123L-160123193

K123R-160123203

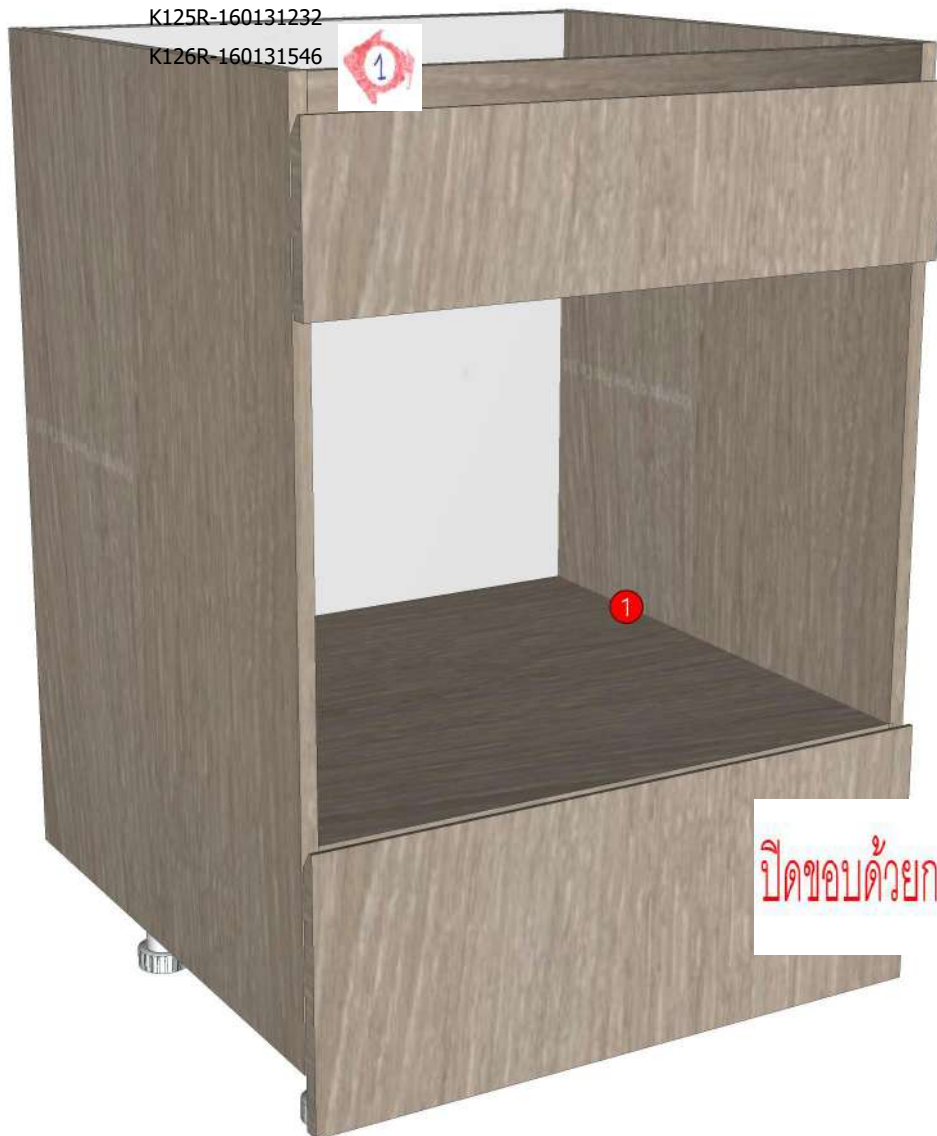
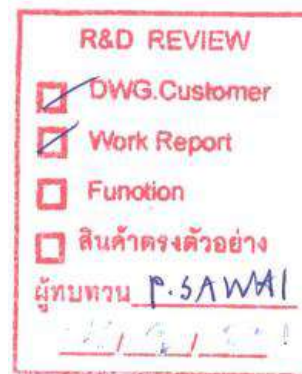
K125R-160131232

K126R-160131546

### Edge

01.255=1 RHODES AP7

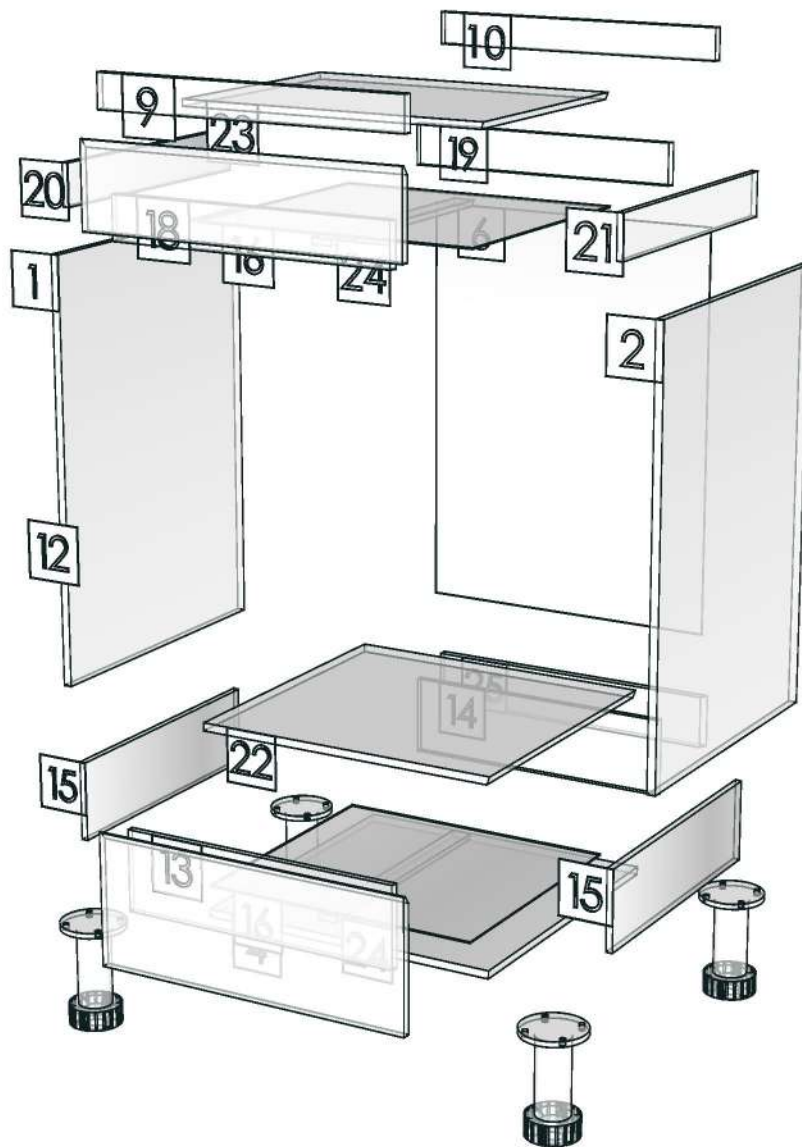
01.47=1 WHITE



ปิดขอบด้วยกาว PUR

<b>Model</b>	-REFERENCE_DBH602	<b>.BCP Name</b>	INDEX_C3D_KITCHEN2
<b>Creator</b>		<b>Order</b>	I002425
<b>Reviewer</b>		<b>Date</b>	
<b>Approves</b>			

17



<b>Model</b>	REFERENCE_DB22R		
<b>Creator</b>	PASATHORN	<b>.BCP Name</b>	INDEX_C3D_KITCHEN2
<b>Reviewer</b>		<b>Order</b>	I002758
<b>Approves</b>	P.SAWAI	<b>Date</b>	13/11/2023

## REFERENCE\_DB22R-220X570X888

### Colour

02.43=FOIL AP7 AQ-152-12KBWG (AQ PAPER)

03.13=PVC WHITE#630 T0.15MM.

20.24=ML AE9V (PEARL)

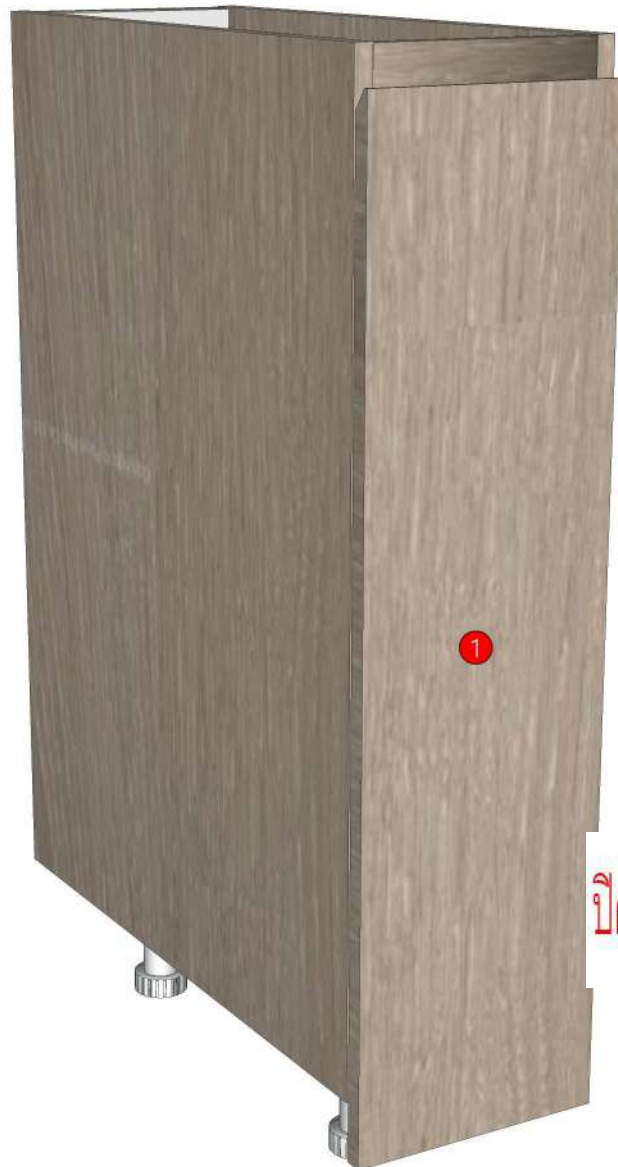
### Edge

01.255=1 RHODES AP7

01.47=1 WHITE

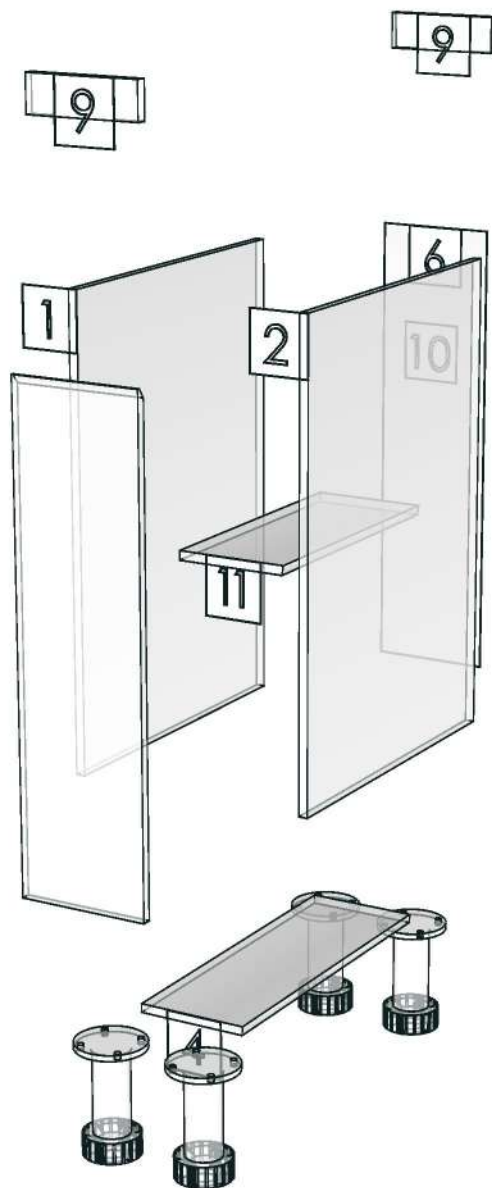


K119R-160134173



ปิดขอบด้วยกาว PUR

<b>Model</b>	-REFERENCE_DB22R		
<b>Creator</b>		<b>.BCP Name</b>	INDEX_C3D_KITCHEN2
<b>Reviewer</b>		<b>Order</b>	I002758
<b>Approves</b>		<b>Date</b>	



<b>Model</b>	REFERENCE_DB503D		
<b>Creator</b>	PASATHORN	<b>.BCP Name</b>	INDEX_C3D_KITCHEN2
<b>Reviewer</b>		<b>Order</b>	I002810
<b>Approves</b>	P.SAWAI	<b>Date</b>	12/12/2023

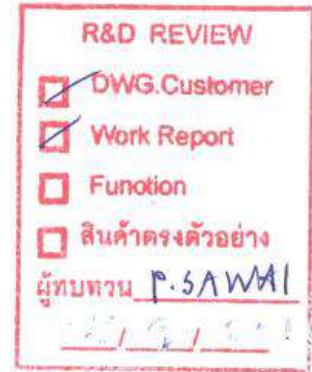
## REFERENCE\_DB503D-500X550X888

### Colour

02.43=FOIL AP7 AQ-152-12KBWG (AQ PAPER)  
02.56=PAPER FOIL 60GMS.WHITE PEARL #VC-70146-MB-60G  
03.13=PVC WHITE#630 T0.15MM.

### Edge

01.255=1 RHODES AP7  
01.47=1 WHITE

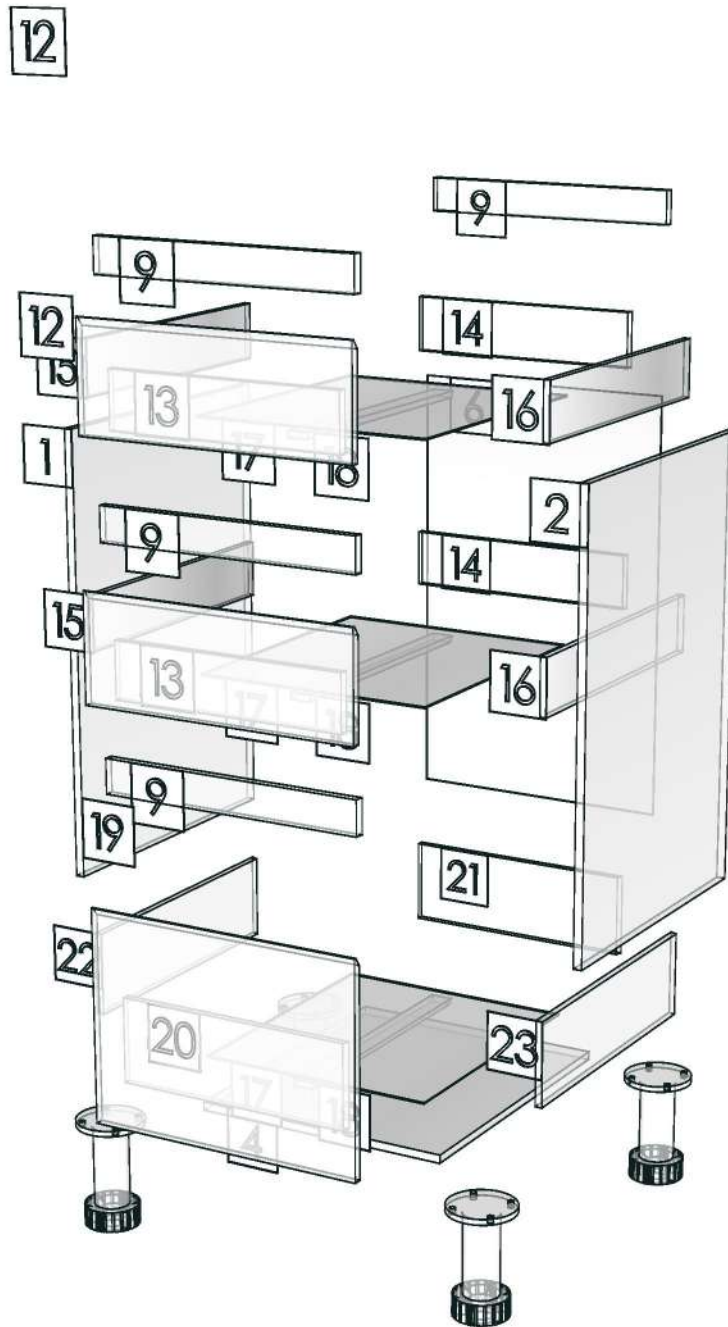


K119R-160134173



ปิดขอบด้วยกาว PUR

<b>Model</b>	-REFERENCE_DBD503D		
<b>Creator</b>		<b>.BCP Name</b>	INDEX_C3D_KITCHEN2
<b>Reviewer</b>		<b>Order</b>	I002810
<b>Approves</b>		<b>Date</b>	



<b>Model</b>	REFERENCE_DB60LD		
<b>Creator</b>	PASATHORN	<b>.BCP Name</b>	INDEX_C3D_KITCHEN2
<b>Reviewer</b>		<b>Order</b>	I002808
<b>Approves</b>	P.SAWAI	<b>Date</b>	12/12/2023

## REFERENCE\_DB60LD-600X550X888

**Colour**

02.43=FOIL AP7 AQ-152-12KBWG (AQ PAPER)  
03.13=PVC WHITE#630 T0.15MM.  
20.24=ML AE9V (PEARL)  
K127L-160134193

**Edge**

01.255=1 RHODES AP7  
01.47=1 WHITE

**R&D REVIEW**

DWG.Customer

Work Report

Function

สินค้าตรงตัวอย่าง

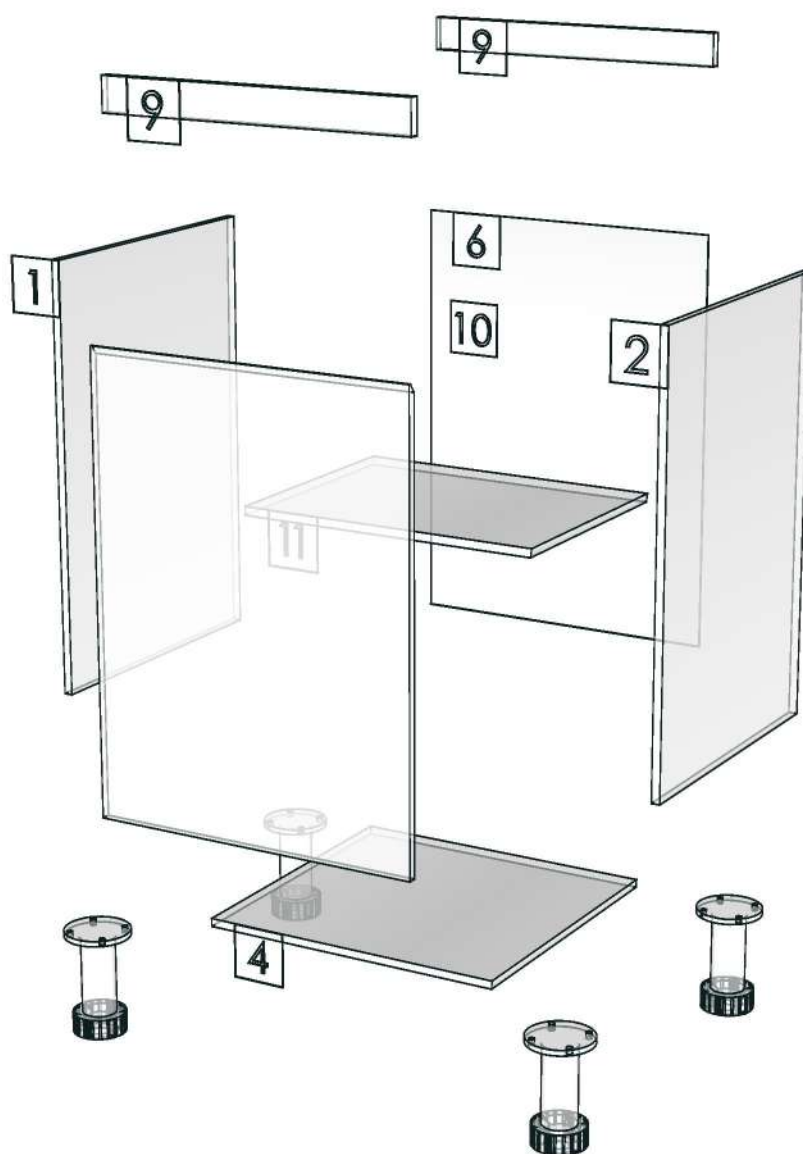
ผู้ทบทวน P.SAWAI

12/12/2023

K119R-160134173



<b>Model</b>	-REFERENCE_DB60LD		
<b>Creator</b>		<b>.BCP Name</b>	INDEX_C3D_KITCHEN2
<b>Reviewer</b>		<b>Order</b>	I002808
<b>Approves</b>		<b>Date</b>	



<b>Model</b>	REFERENCE_DBC9050RD		
<b>Creator</b>	PASATHORN	<b>.BCP Name</b>	INDEX_C3D_KITCHEN2
<b>Reviewer</b>		<b>Order</b>	I002812
<b>Approves</b>	P.SAWAI	<b>Date</b>	12/12/2023

## REFERENCE\_DBC9050RD-900X550X888

### Colour

02.43=FOIL AP7 AQ-152-12KBWG (AQ PAPER)

03.13=PVC WHITE#630 T0.15MM.

20.24=ML AE9V (PEARL)

### Edge

01.255=1 RHODES AP7

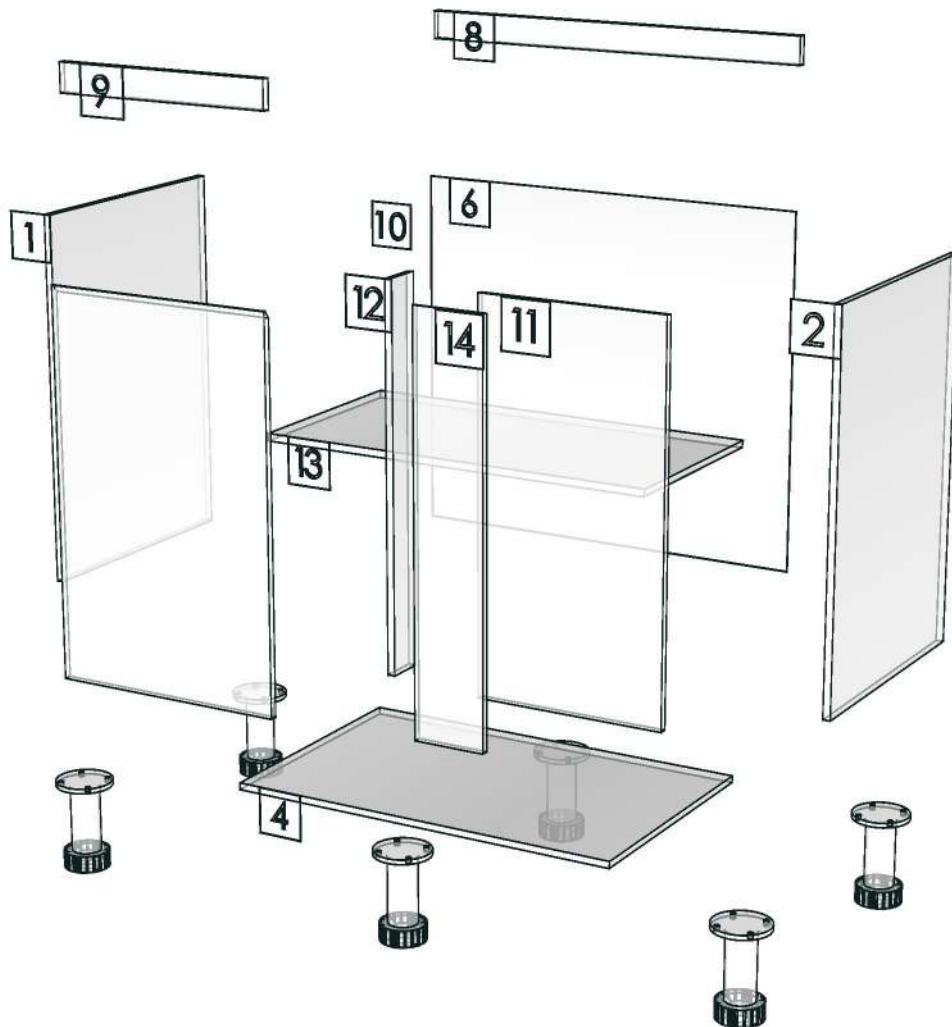
01.47=1 WHITE

<b>R&amp;D REVIEW</b>	
<input checked="" type="checkbox"/>	DWG.Customer
<input checked="" type="checkbox"/>	Work Report
<input type="checkbox"/>	Function
<input type="checkbox"/>	สินค้าตรงตัวอย่าง
ผู้ทบทวน P.SAWAI	
12/12/2023	

K119R-160134173



<b>Model</b>	-REFERENCE_DBC9050RD		
<b>Creator</b>		<b>.BCP Name</b>	INDEX_C3D_KITCHEN2
<b>Reviewer</b>		<b>Order</b>	I002812
<b>Approves</b>		<b>Date</b>	



<b>Model</b>	REFERENCE_DL80		
<b>Creator</b>	PASATHORN	<b>.BCP Name</b>	INDEX_C3D_KITCHEN2
<b>Reviewer</b>		<b>Order</b>	I002757
<b>Approves</b>	P.SAWAI	<b>Date</b>	13/11/2023

## REFERENCE\_DL80-800X350X800

### Colour

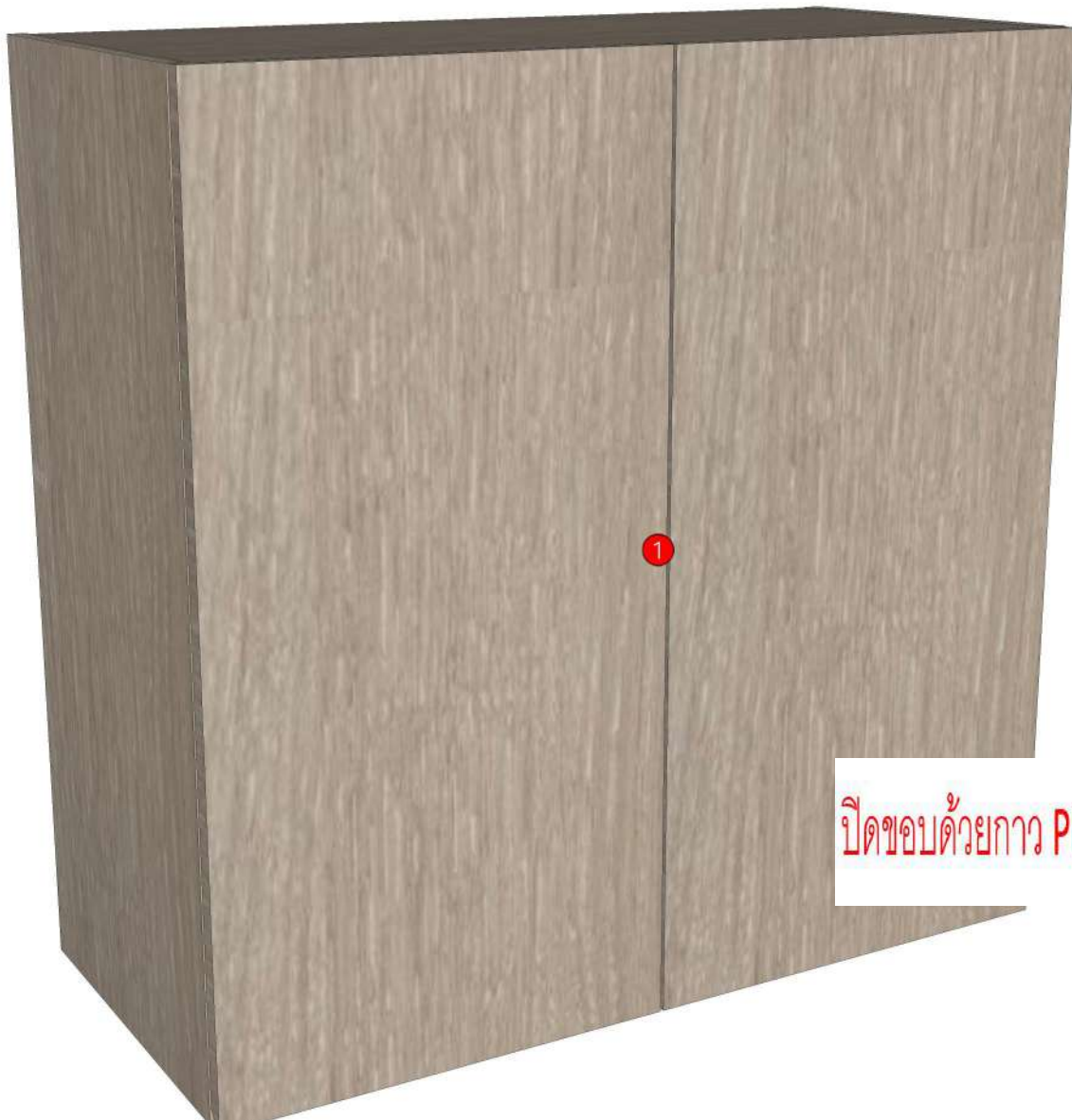
02.43=FOIL AP7 AQ-152-12KBWG (AQ PAPER)  
03.13=PVC WHITE#630 T0.15MM.  
20.24=ML AE9V (PEARL)

### Edge

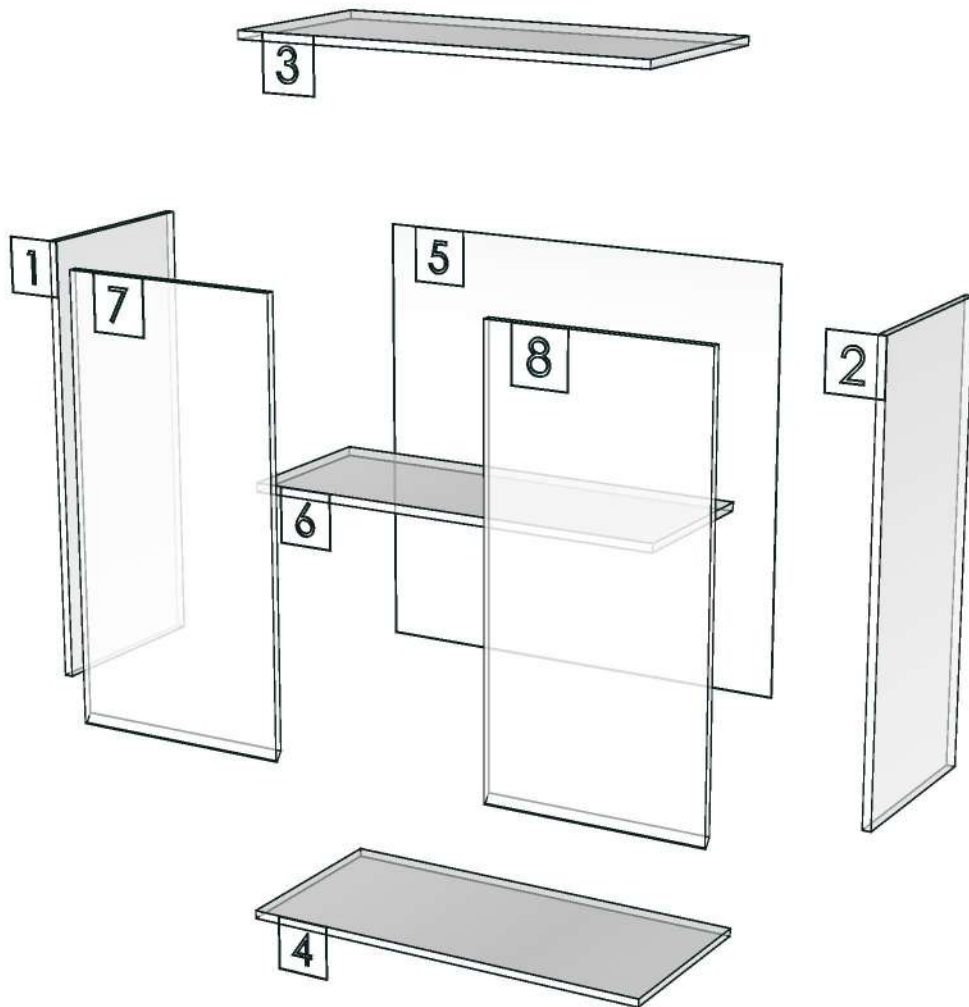
01.255=1 RHODES AP7  
01.47=1 WHITE

<b>R&amp;D REVIEW</b>	
<input checked="" type="checkbox"/>	DWG.Customer
<input checked="" type="checkbox"/>	Work Report
<input type="checkbox"/>	Function
<input type="checkbox"/>	สินค้าตรงตัวอย่าง
ผู้ทบทวน P.SAWAI	
21/11/23	

K119R-160134173



<b>Model</b>	-REFERENCE_DL80		
<b>Creator</b>		<b>.BCP Name</b>	INDEX_C3D_KITCHEN2
<b>Reviewer</b>		<b>Order</b>	I002757
<b>Approves</b>		<b>Date</b>	



<b>Model</b>	REFERENCE_DL60RSL		
<b>Creator</b>	PASATHORN	<b>.BCP Name</b>	INDEX_C3D_KITCHEN2
<b>Reviewer</b>		<b>Order</b>	I002419
<b>Approves</b>		<b>Date</b>	29/06/2023

## **REFERENCE\_DL60RSL-600X350X800**

### **Colour**

02.43=FOIL AP7 AQ-152-12KBWG (AQ PAPER)

03.13=PVC WHITE#630 T0.15MM.

20.24=ML AE9V (PEARL)

### **Edge**

01.255=1 RHODES AP7

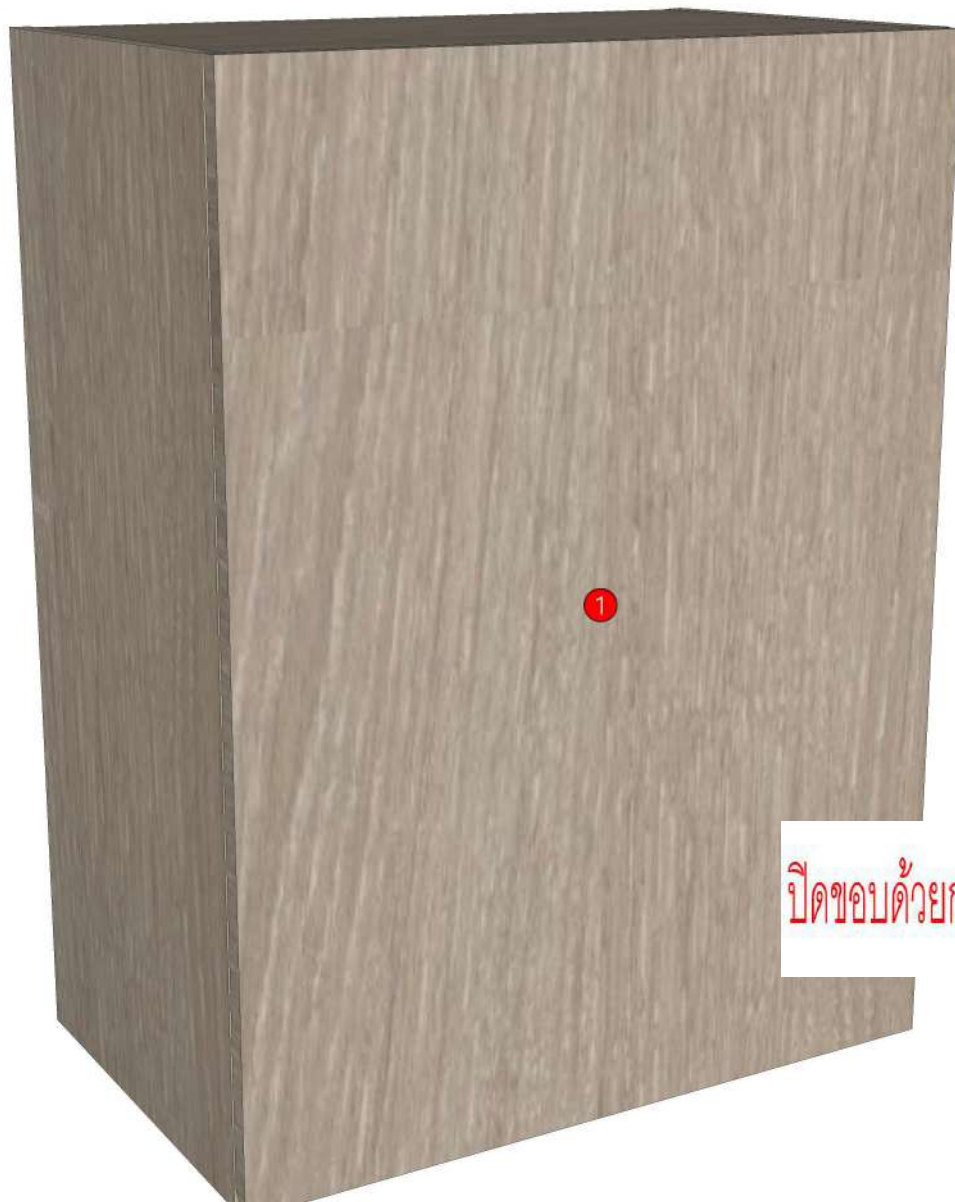
01.47=1 WHITE

K103R-160131196

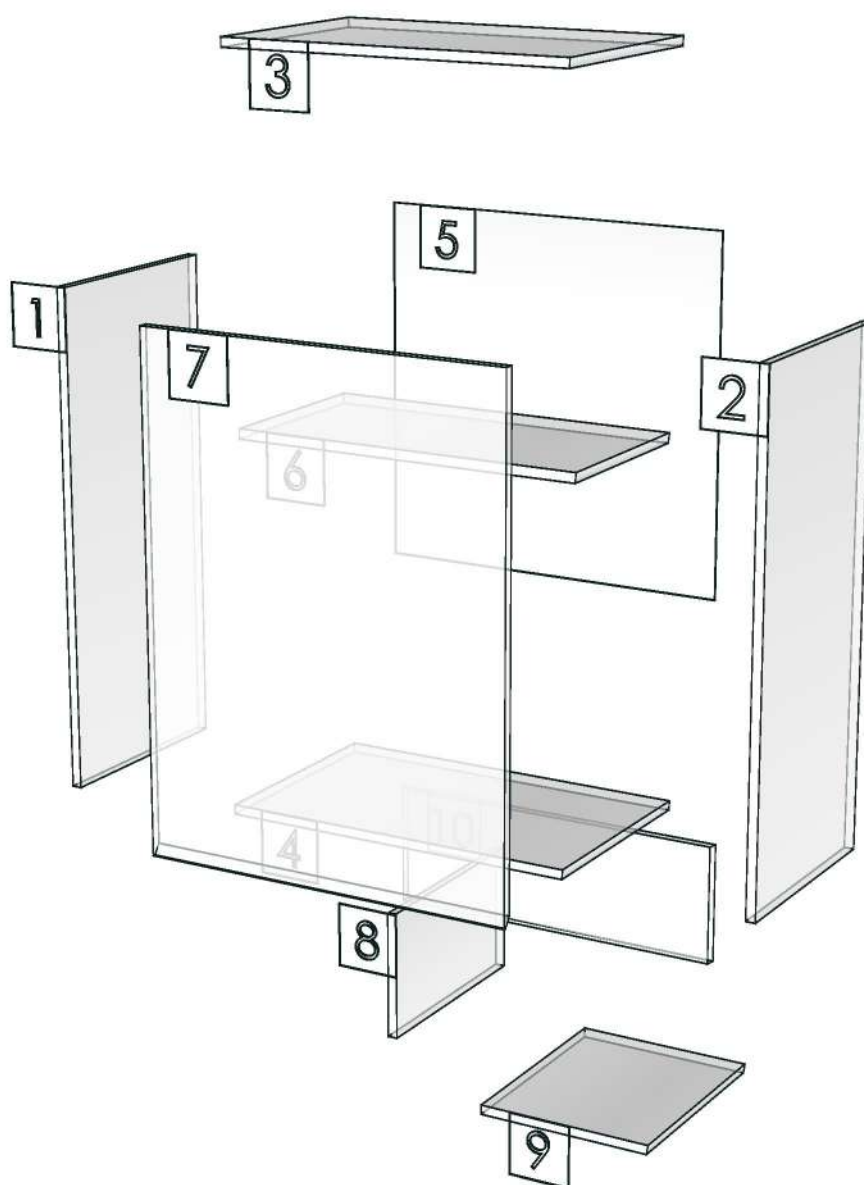
K105R-160131209

K119R-160134173

K108R-160123129



<b>Model</b>	-REFERENCE_DL60RSL		
<b>Creator</b>		<b>.BCP Name</b>	INDEX_C3D_KITCHEN2
<b>Reviewer</b>		<b>Order</b>	I002419
<b>Approves</b>		<b>Date</b>	



<b>Model</b>	REFERENCE_DL50R		
<b>Creator</b>	PASATHORN	<b>.BCP Name</b>	INDEX_C3D_KITCHEN2
<b>Reviewer</b>		<b>Order</b>	I002752
<b>Approves</b>	P. SAWAI	<b>Date</b>	11/11/2023

## REFERENCE\_DL50R-500X350X800

### Colour

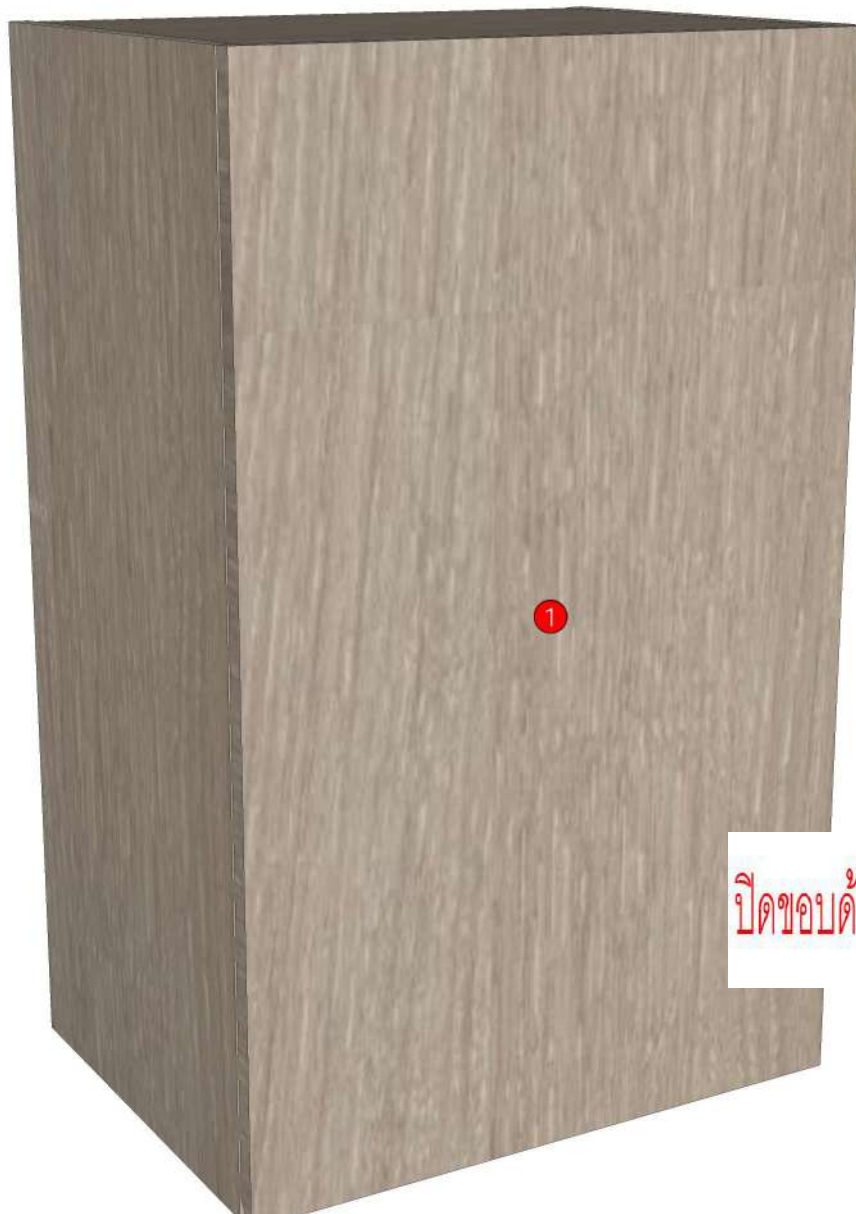
02.43=FOIL AP7 AQ-152-12KBWG (AQ PAPER)  
03.13=PVC WHITE#630 T0.15MM.  
20.24=ML AE9V (PEARL)

### Edge

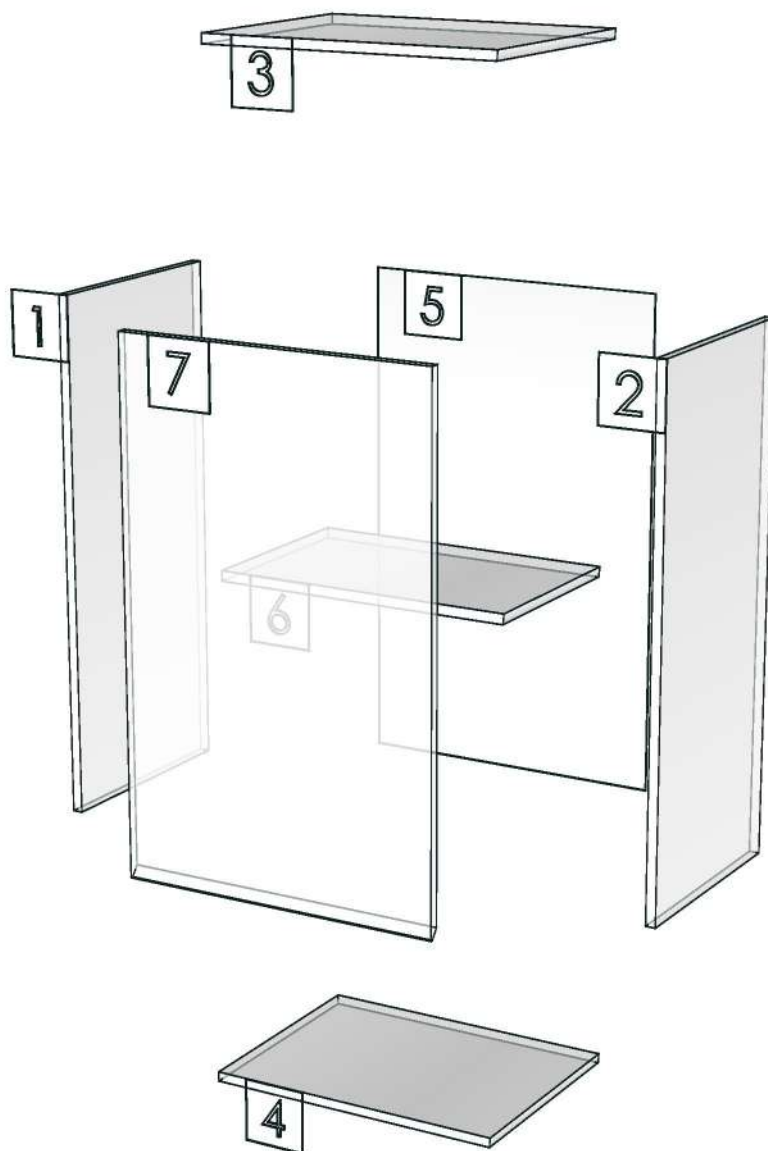
01.255=1 RHODES AP7  
01.47=1 WHITE

<b>R&amp;D REVIEW</b>	
<input checked="" type="checkbox"/>	DWG. Customer
<input checked="" type="checkbox"/>	Work Report
<input type="checkbox"/>	Function
<input type="checkbox"/>	สินค้าตรงตัวอย่าง
ผู้ทบทวน <u>P. SAWAI</u>	
<u>11/11/2023</u>	

K119R-160134173



<b>Model</b>	-REFERENCE_DL50R		
<b>Creator</b>		<b>.BCP Name</b>	INDEX_C3D_KITCHEN2
<b>Reviewer</b>		<b>Order</b>	I002752
<b>Approves</b>		<b>Date</b>	



<b>Model</b>	REFERENCE_DL65		
<b>Creator</b>	PASATHORN	<b>.BCP Name</b>	INDEX_C3D_KITCHEN2
<b>Reviewer</b>		<b>Order</b>	I002755
<b>Approves</b>	P.SAWAI	<b>Date</b>	13/11/2023

## REFERENCE\_DL65-650X350X800

### Colour

02.43=FOIL AP7 AQ-152-12KBWG (AQ PAPER)  
03.13=PVC WHITE#630 T0.15MM.  
20.24=ML AE9V (PEARL)

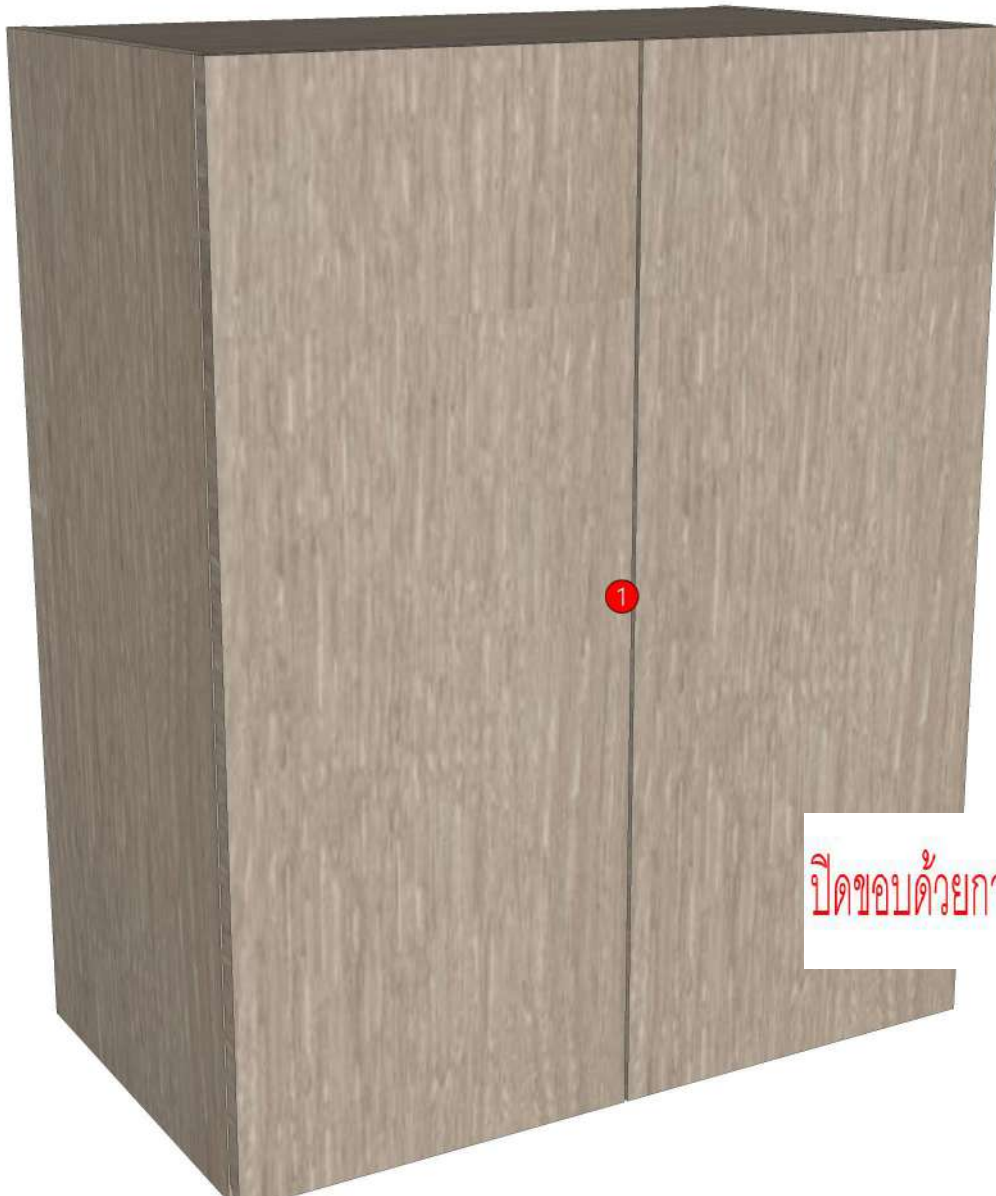
### Edge

01.255=1 RHODES AP7  
01.47=1 WHITE

<b>R&amp;D REVIEW</b>	
<input checked="" type="checkbox"/>	DWG.Customer
<input checked="" type="checkbox"/>	Work Report
<input type="checkbox"/>	Function
<input type="checkbox"/>	สินค้าตรงตัวอย่าง
ผู้ทบทวน <u>P.SAWAI</u>	
<u>13/11/2023</u>	

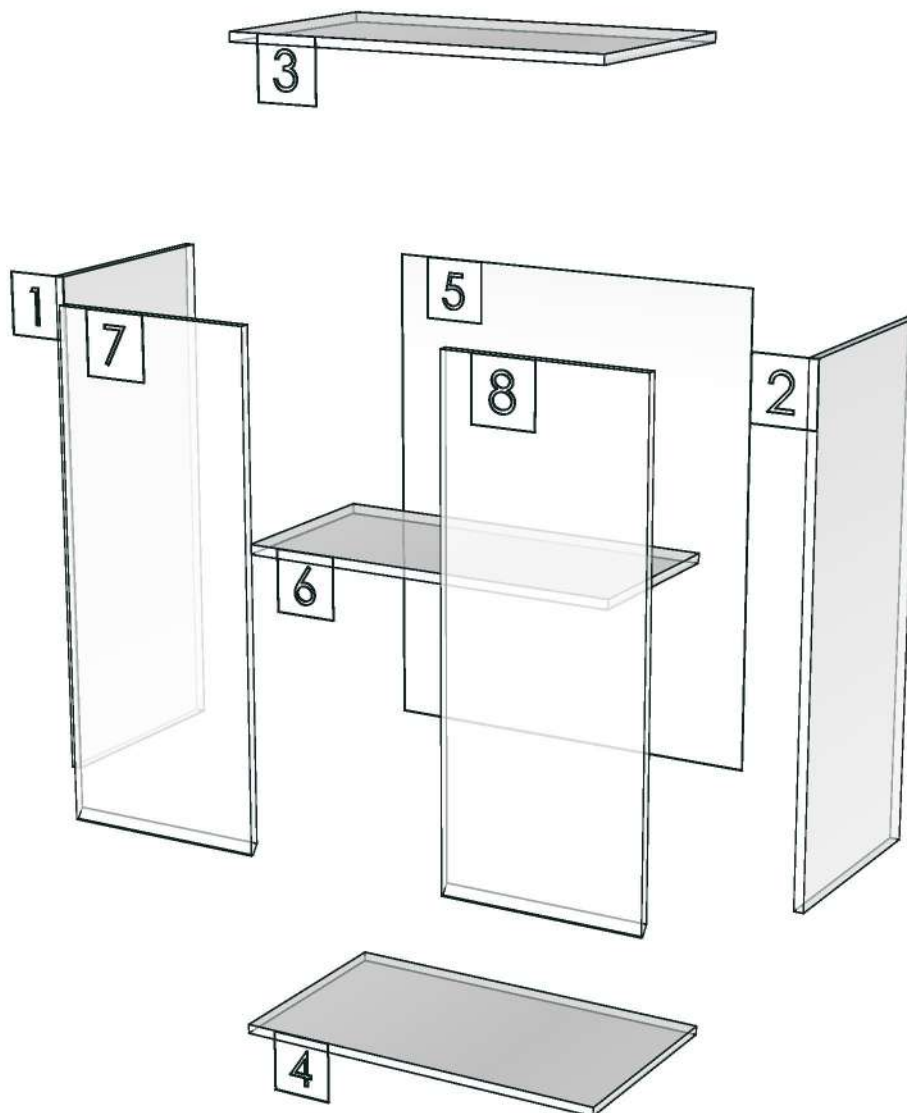
K118R-160131219

K119R-160134173



ปิดขอบด้วยกาว PUR

<b>Model</b>	-REFERENCE_DL65		
<b>Creator</b>		<b>.BCP Name</b>	INDEX_C3D_KITCHEN2
<b>Reviewer</b>		<b>Order</b>	I002755
<b>Approves</b>		<b>Date</b>	



<b>Model</b>	REFERENCE_DL60HL		
<b>Creator</b>	PASATHORN	<b>.BCP Name</b>	INDEX_C3D_KITCHEN2
<b>Reviewer</b>		<b>Order</b>	I002704
<b>Approves</b>	P.SAWAI	<b>Date</b>	17/10/2023

## REFERENCE\_DL60HL-600X350X755

### Colour

02.43=FOIL AP7 AQ-152-12KBWG (AQ PAPER)

03.13=PVC WHITE#630 T0.15MM.

20.24=ML AE9V (PEARL)

### Edge

01.255=1 RHODES AP7

01.47=1 WHITE

K113-160134022

K114L-160129206

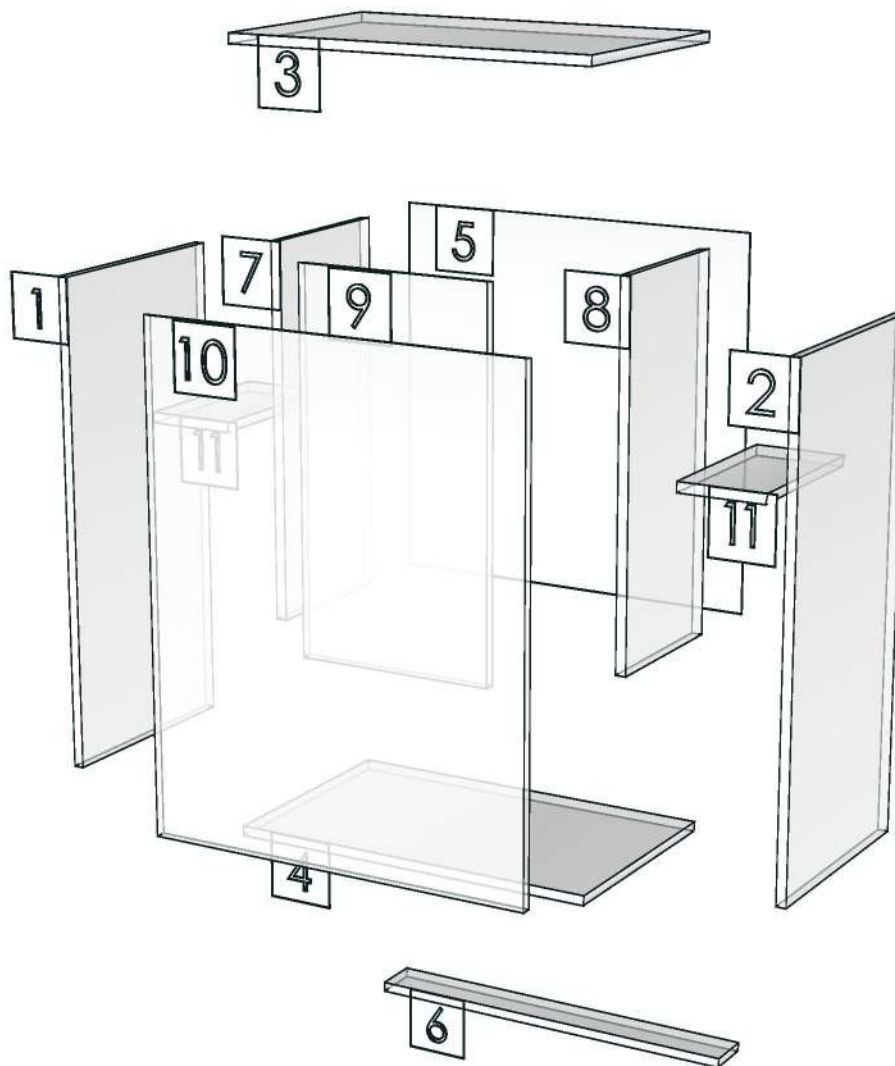
K119R-160134173

<b>R&amp;D REVIEW</b>	
<input checked="" type="checkbox"/>	DWG.Customer
<input checked="" type="checkbox"/>	Work Report
<input type="checkbox"/>	Function
<input type="checkbox"/>	สินค้าตรงตัวอย่าง
ผู้ทบทวน P.SAWAI	



ปิดขอบด้วยกาว PUR

<b>Model</b>	-REFERENCE_DL60HL		
<b>Creator</b>		<b>.BCP Name</b>	INDEX_C3D_KITCHEN2
<b>Reviewer</b>		<b>Order</b>	I002704
<b>Approves</b>		<b>Date</b>	



<b>Model</b>	REFERENCE_DL45R		
<b>Creator</b>	PASATHORN	<b>.BCP Name</b>	INDEX_C3D_KITCHEN2
<b>Reviewer</b>		<b>Order</b>	I002751
<b>Approves</b>	P.SAWAI	<b>Date</b>	11/11/2023

## REFERENCE\_DL45R-450X350X800

### Colour

02.43=FOIL AP7 AQ-152-12KBWG (AQ PAPER)

03.13=PVC WHITE#630 T0.15MM.

20.24=ML AE9V (PEARL)

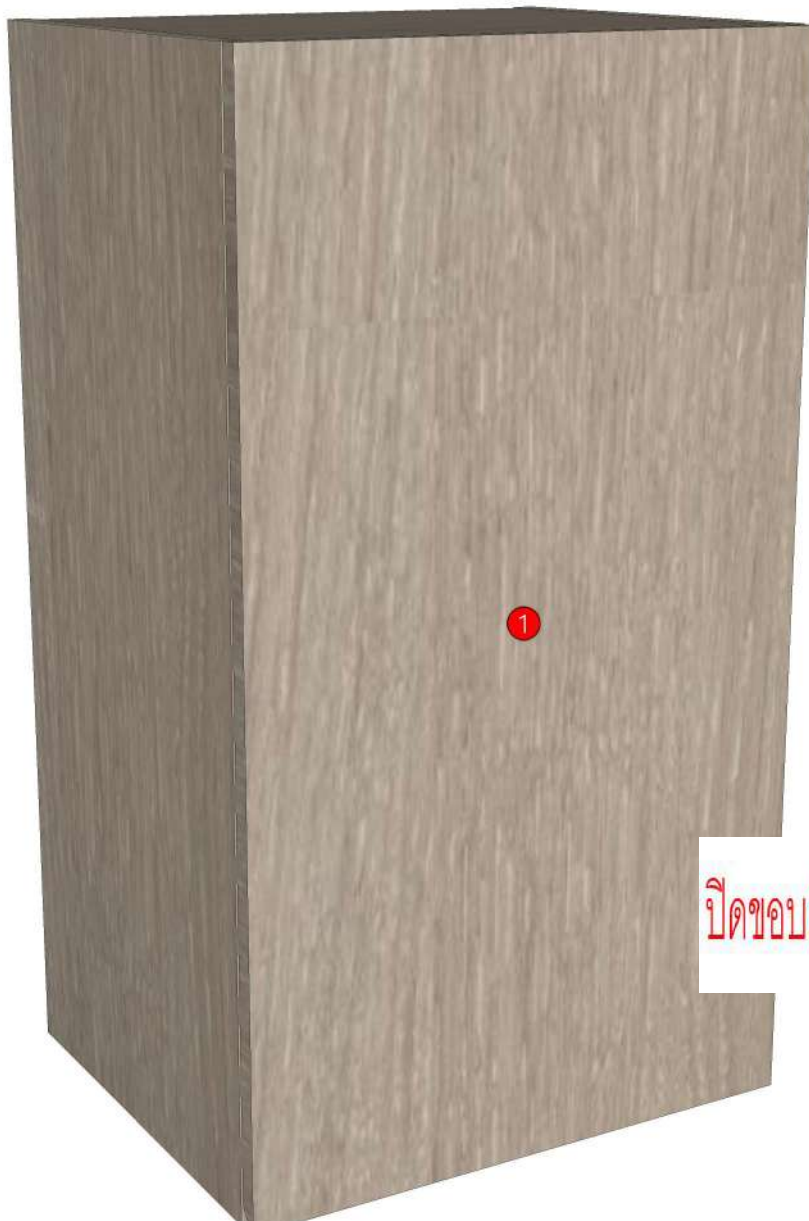
### Edge

01.255=1 RHODES AP7

01.47=1 WHITE

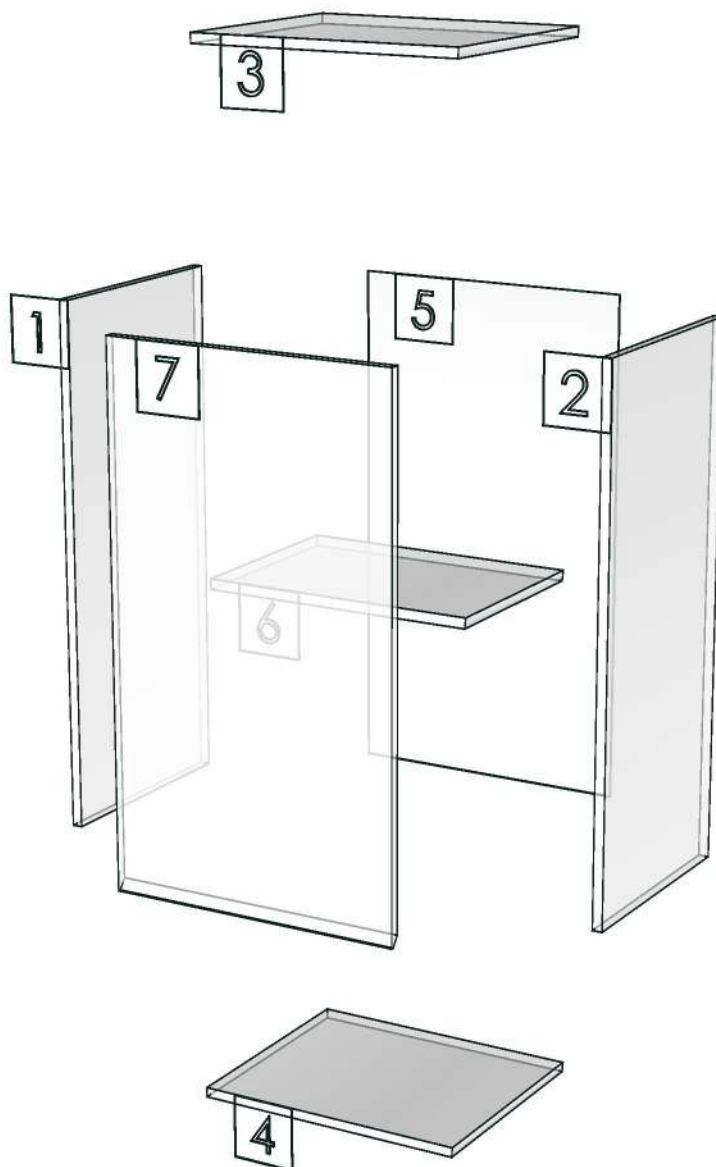
<b>R&amp;D REVIEW</b>	
<input checked="" type="checkbox"/>	DWG.Customer
<input checked="" type="checkbox"/>	Work Report
<input type="checkbox"/>	Function
<input type="checkbox"/>	สินค้าตรงตัวอย่าง
ผู้ทบทวน P.SAWAI	
11/11/2023	

K119R-160134173



ปิดขอบด้วยกาว PUR

<b>Model</b>	-REFERENCE_DL45R		
<b>Creator</b>		<b>.BCP Name</b>	INDEX_C3D_KITCHEN2
<b>Reviewer</b>		<b>Order</b>	I002751
<b>Approves</b>		<b>Date</b>	



<b>Model</b>	REFERENCE_DW75		
<b>Creator</b>	PASATHORN	<b>.BCP Name</b>	INDEX_C3D_KITCHEN2
<b>Reviewer</b>		<b>Order</b>	I002773
<b>Approves</b>	P.SAWAI	<b>Date</b>	14/11/2023

## REFERENCE\_DW75-750X350X500

### Colour

02.43=FOIL AP7 AQ-152-12KBWG (AQ PAPER)  
03.13=PVC WHITE#630 T0.15MM.  
20.24=ML AE9V (PEARL)

### Edge

01.255=1 RHODES AP7  
01.47=1 WHITE

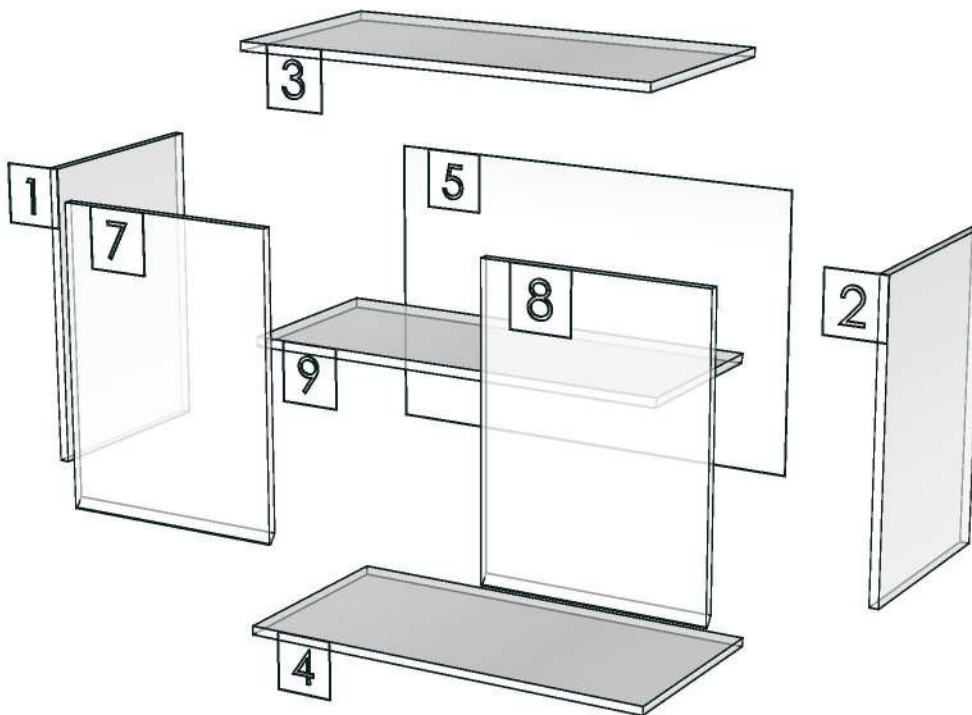
<b>R&amp;D REVIEW</b>	
<input checked="" type="checkbox"/>	DWG.Customer
<input checked="" type="checkbox"/>	Work Report
<input type="checkbox"/>	Function
<input type="checkbox"/>	สินค้าตรงตัวอย่าง
ผู้ทบทวน P.SAWAI	
14/11/2023	

K103R-160131196

K119R-160134173



<b>Model</b>	-REFERENCE_DW75		
<b>Creator</b>		<b>.BCP Name</b>	INDEX_C3D_KITCHEN2
<b>Reviewer</b>		<b>Order</b>	I002773
<b>Approves</b>		<b>Date</b>	



<b>Model</b>	REFERENCE_DEP2300		
<b>Creator</b>	PASATHORN	<b>.BCP Name</b>	INDEX_C3D_KITCHEN2
<b>Reviewer</b>		<b>Order</b>	I002804
<b>Approves</b>	P.SAWAI	<b>Date</b>	12/12/2023

## REFERENCE\_DEP2300-2300X16X838

**Colour**

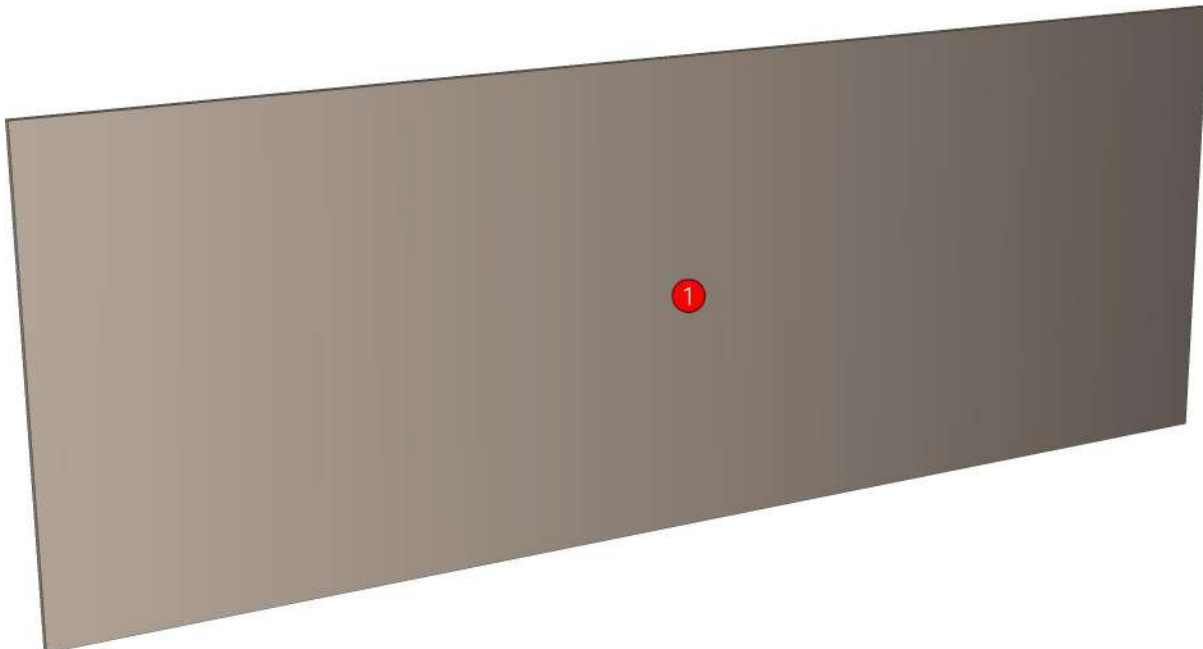
20.01=ML.MFI599\_PEARL

**Edge**

01.319=1 MFI599 PEARL

<b>R&amp;D REVIEW</b>	
<input checked="" type="checkbox"/>	DWG.Customer
<input checked="" type="checkbox"/>	Work Report
<input type="checkbox"/>	Function
<input type="checkbox"/>	สินค้าตรงตัวอย่าง
ผู้ทบทวน P.SAWAI	
12/12/2023	

K119R-160134173



<b>Model</b>	REFERENCE_DEP583		
<b>Creator</b>	PASATHORN	<b>.BCP Name</b>	INDEX_C3D_KITCHEN2
<b>Reviewer</b>		<b>Order</b>	I002706
<b>Approves</b>	P.SAWAI	<b>Date</b>	18/10/2023

## REFERENCE\_DEP583-583X16X888

**Colour**  
20.01=ML.MFI599\_PEARL

**Edge**  
01.319=1 MFI599 PEARL

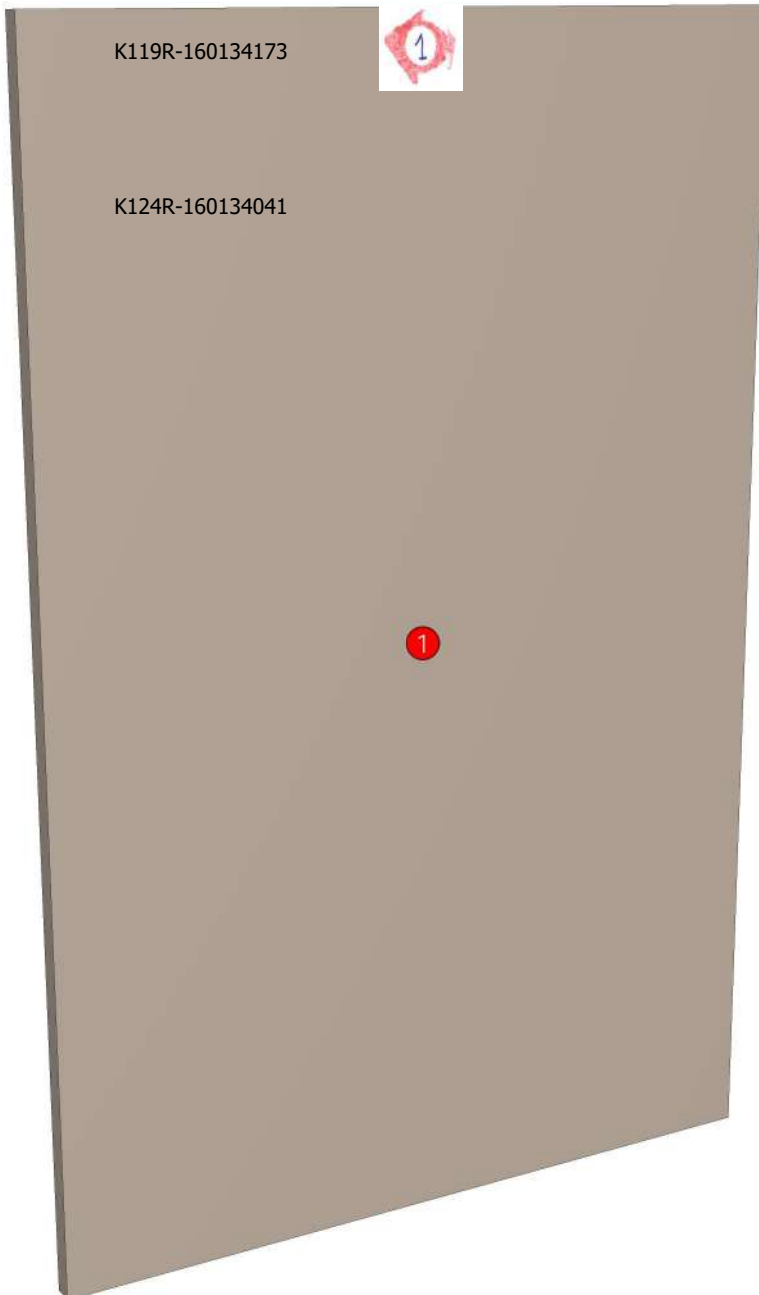
<b>R&amp;D REVIEW</b>	
<input checked="" type="checkbox"/>	DWG.Customer
<input checked="" type="checkbox"/>	Work Report
<input type="checkbox"/>	Function
<input type="checkbox"/>	สินค้าตรงตัวอย่าง
ผู้ทบทวน <u>P.SAWAI</u>	
<u>18/10/2023</u>	

K114L-160129206

K119R-160134173



K124R-160134041



<b>Model</b>	REFERENCE_DFB		
<b>Creator</b>	PASATHORN	<b>.BCP Name</b>	INDEX_C3D_KITCHEN2
<b>Reviewer</b>		<b>Order</b>	I002376
<b>Approves</b>	P.SAWAI	<b>Date</b>	21/06/2023

## REFERENCE\_DFB-150X15X838

### Colour

02.43=FOIL AP7 AQ-152-12KBWG (AQ PAPER)

### Edge

01.255=1 RHODES AP7

<b>R&amp;D REVIEW</b>	
<input checked="" type="checkbox"/>	DWG.Customer
<input checked="" type="checkbox"/>	Work Report
<input type="checkbox"/>	Function
<input type="checkbox"/>	สินค้าตรงตัวอย่าง
ผู้ทบทวน P.SAWAI	
21/06/2023	

K126R-160131546

K113-160134022

K114L-160129206

K117L-160123170

K118R-160131219

K119R-160134173

K122L-160123183

K123L-160123193

K109R-160123138

K123R-160123203

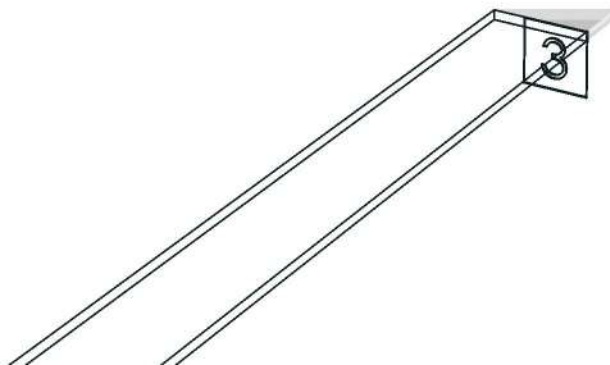
K110R-160123152

K124R-160134041



ปิดขอบด้วยกาว PUR

<b>Model</b>	-REFERENCE_DFB		
<b>Creator</b>		<b>.BCP Name</b>	INDEX_C3D_KITCHEN2
<b>Reviewer</b>		<b>Order</b>	I002376
<b>Approves</b>		<b>Date</b>	



<b>Model</b>	REFERENCE_DFL		
<b>Creator</b>	PASATHORN	<b>.BCP Name</b>	INDEX_C3D_KITCHEN2
<b>Reviewer</b>		<b>Order</b>	I002377
<b>Approves</b>	P.SAWAI	<b>Date</b>	21/06/2023

## REFERENCE\_DFL-150X15X800

**Colour**

02.43=FOIL AP7 AQ-152-12KBWG (AQ PAPER)

**Edge**

01.255=1 RHODES AP7

**R&D REVIEW**

DWG.Customer

Work Report

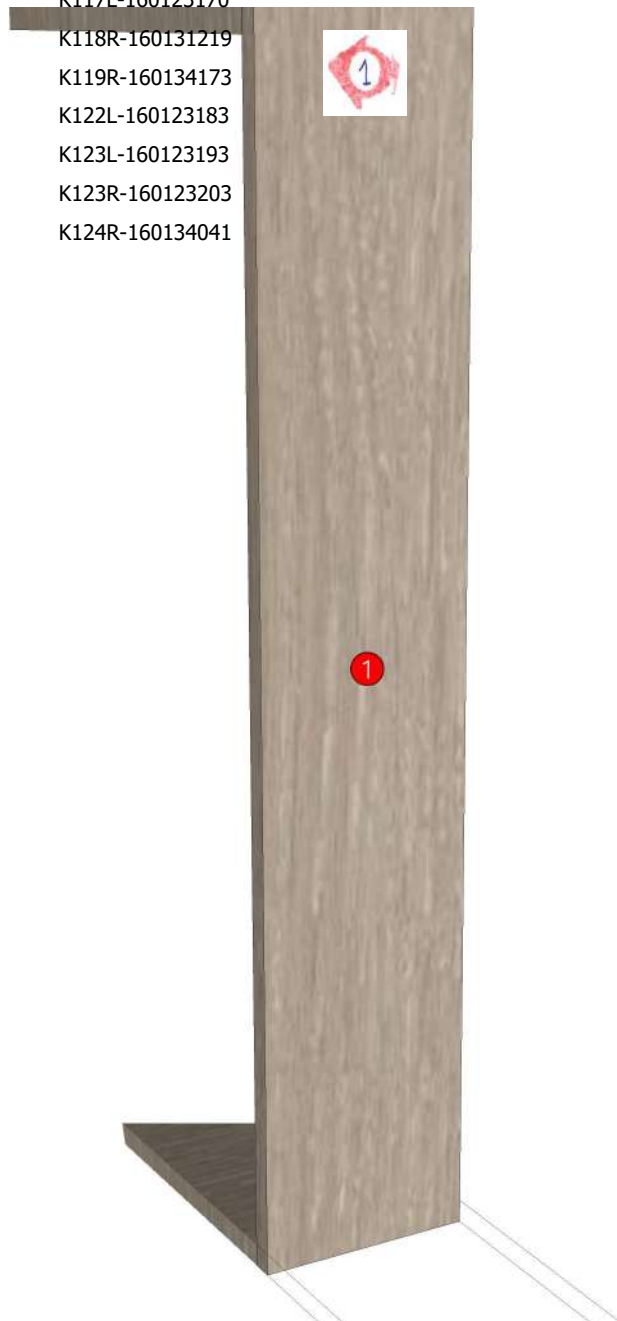
Function

สินค้าตรงตัวอย่าง

ผู้ทบทวน P.SAWAI

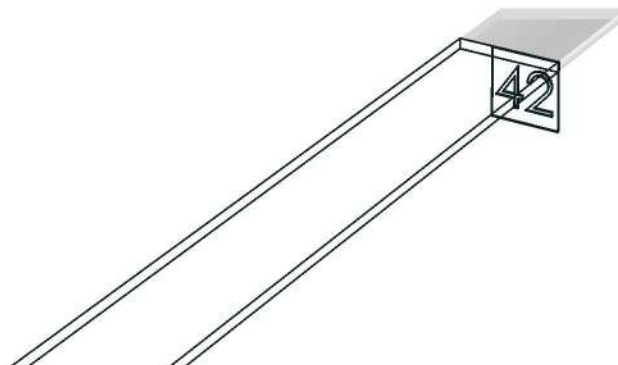
21/06/2023

- |                 |                 |                 |
|-----------------|-----------------|-----------------|
| K101L-160131176 | K112L-160123160 | K126R-160131546 |
|                 | K113-160134022  |                 |
|                 | K114L-160129206 |                 |
|                 | K117L-160123170 |                 |
| K103R-160131196 | K118R-160131219 |                 |
|                 | K119R-160134173 |                 |
|                 | K122L-160123183 |                 |
|                 | K123L-160123193 |                 |
| K109R-160123138 | K123R-160123203 |                 |
| K110R-160123152 | K124R-160134041 |                 |



ปิดขอบด้วยกาว PUR

<b>Model</b>	-REFERENCE_DFL		
<b>Creator</b>		<b>.BCP Name</b>	INDEX_C3D_KITCHEN2
<b>Reviewer</b>		<b>Order</b>	I002377
<b>Approves</b>		<b>Date</b>	



<b>Model</b>	REFERENCE_DFLS		
<b>Creator</b>	PASATHORN	<b>.BCP Name</b>	INDEX_C3D_KITCHEN2
<b>Reviewer</b>		<b>Order</b>	I002702
<b>Approves</b>	P.SAWAI	<b>Date</b>	17/10/2023

## REFERENCE\_DFLS-250X15X800

### Colour

02.43=FOIL AP7 AQ-152-12KBWG (AQ PAPER)

### Edge

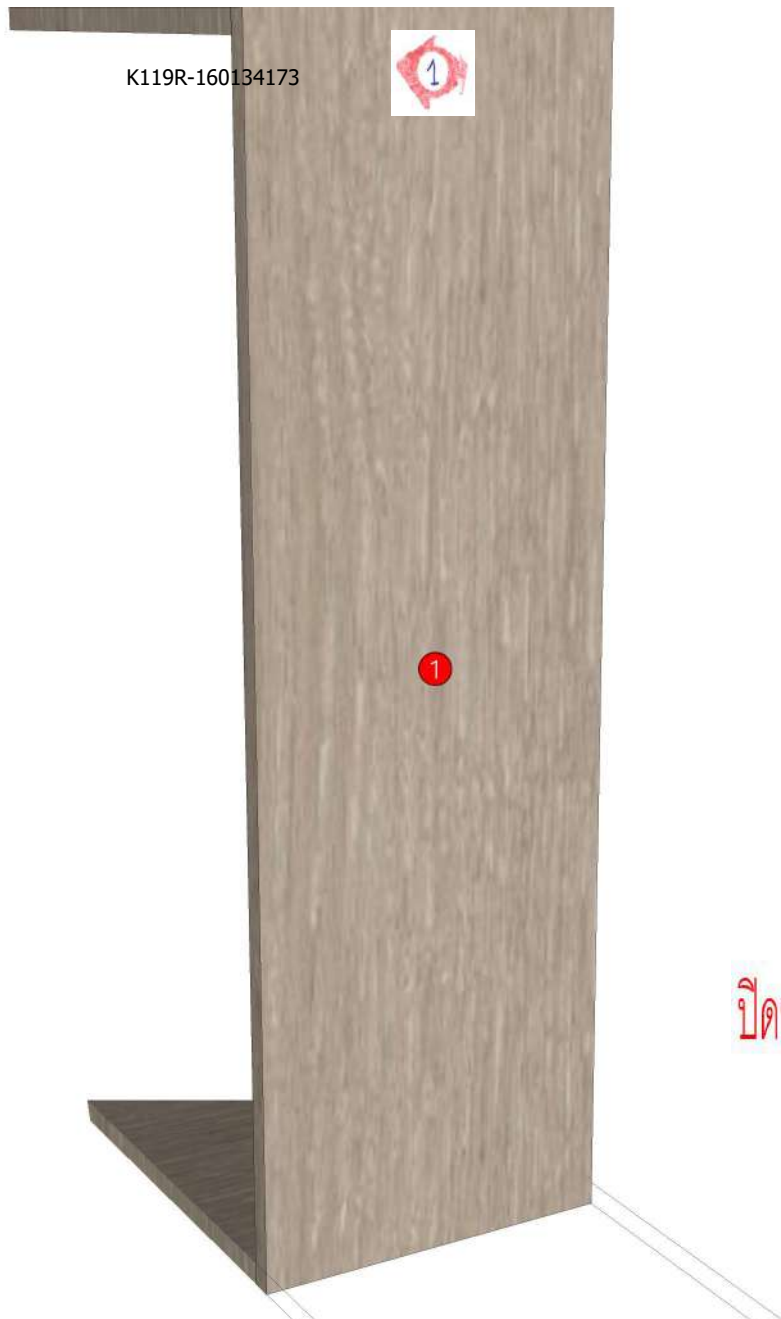
01.255=1 RHODES AP7

<b>R&amp;D REVIEW</b>	
<input checked="" type="checkbox"/>	DWG.Customer
<input checked="" type="checkbox"/>	Work Report
<input type="checkbox"/>	Function
<input type="checkbox"/>	สินค้าตรงตัวอย่าง
ผู้ทบทวน P.SAWAI	
17/10/23	

K113-160134022

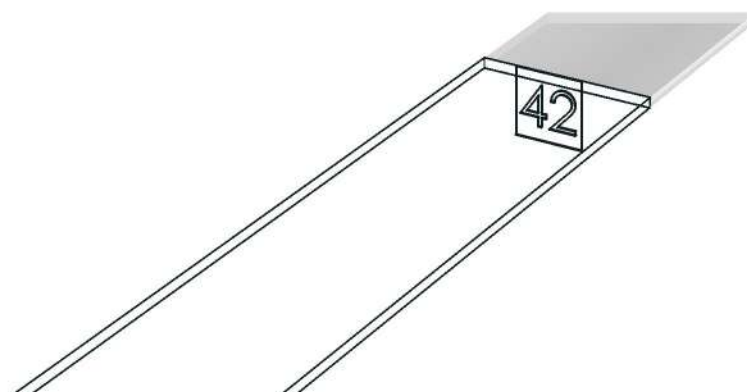
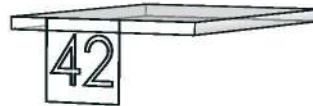
K114L-160129206

K119R-160134173



ปิดขอบด้วยกาว PUR

<b>Model</b>	-REFERENCE_DFLS		
<b>Creator</b>		<b>.BCP Name</b>	INDEX_C3D_KITCHEN2
<b>Reviewer</b>		<b>Order</b>	I002702
<b>Approves</b>		<b>Date</b>	



<b>Model</b>	REFERENCE_DFW		
<b>Creator</b>	PASATHORN	<b>.BCP Name</b>	INDEX_C3D_KITCHEN2
<b>Reviewer</b>		<b>Order</b>	I002378
<b>Approves</b>	P.SAWAI	<b>Date</b>	21/06/2023

## REFERENCE\_DFW-150X15X500

**Colour**

02.43=FOIL AP7 AQ-152-12KBWG (AQ PAPER)

**Edge**

01.255=1 RHODES AP7

**R&D REVIEW**

- DWG.Customer
- Work Report
- Function
- สินค้าตรงตัวอย่าง

ผู้ทบทวน P.SAWAI  
21/06/2023

K126R-160131546

K102L-160131186

K102R-160123111

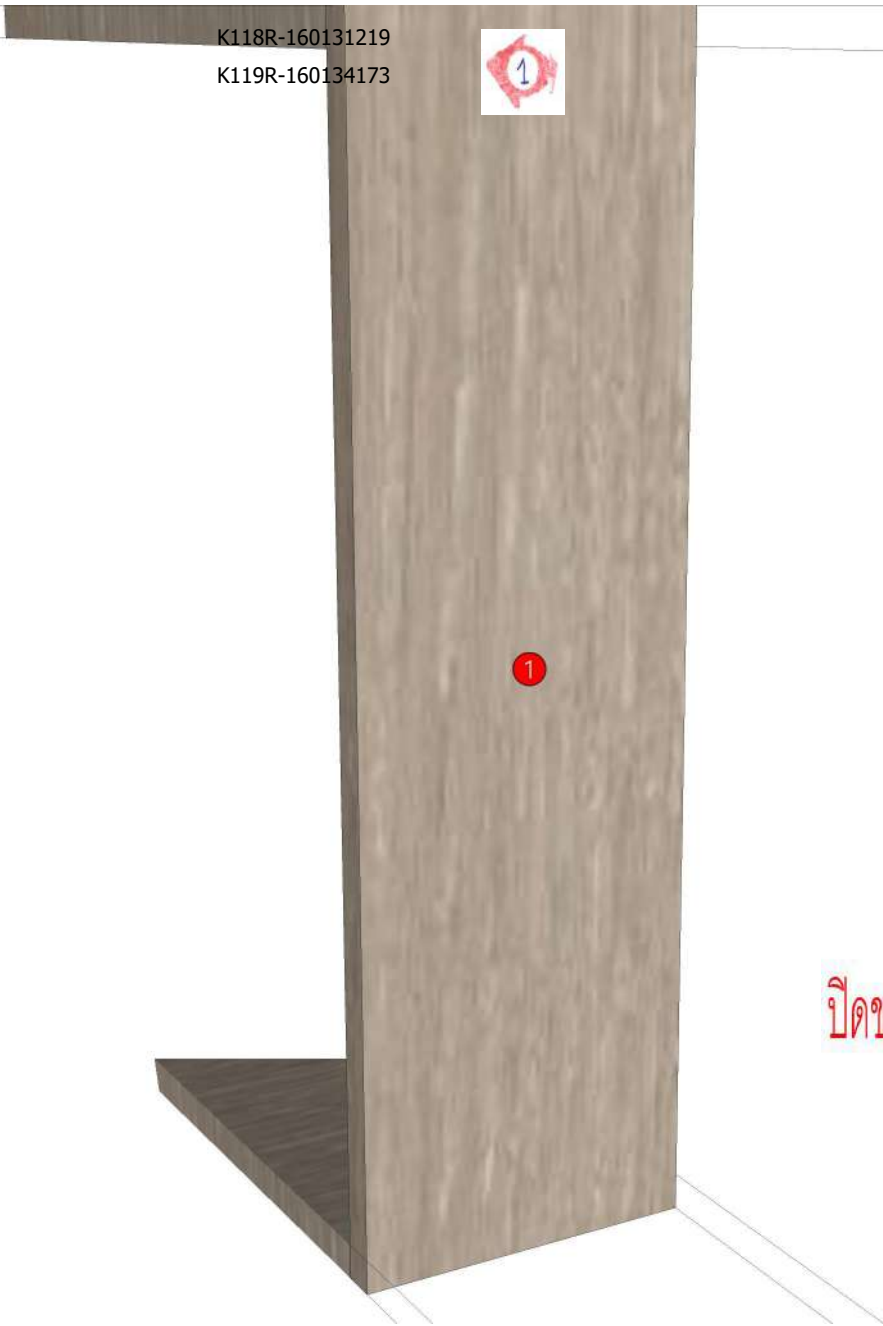
K103R-160131196

K118R-160131219

K119R-160134173

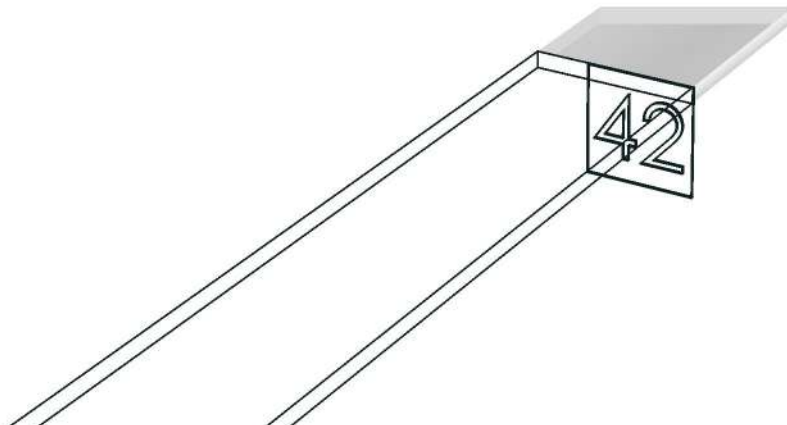


K109R-160123138



ปิดขอบด้วยกาว PUR

<b>Model</b>	-REFERENCE_DFW		
<b>Creator</b>		<b>.BCP Name</b>	INDEX_C3D_KITCHEN2
<b>Reviewer</b>		<b>Order</b>	I002378
<b>Approves</b>		<b>Date</b>	



<b>Model</b>	REFERENCE_DF_CL2000		
<b>Creator</b>	PASATHORN	<b>.BCP Name</b>	INDEX_C3D_KITCHEN2
<b>Reviewer</b>		<b>Order</b>	I002374
<b>Approves</b>	P.SAWAI	<b>Date</b>	20/06/2023

## REFERENCE\_DF\_CL2000-2000X12X150

**Colour**

02.43=FOIL AP7 AQ-152-12KBWG (AQ PAPER)

**Edge**

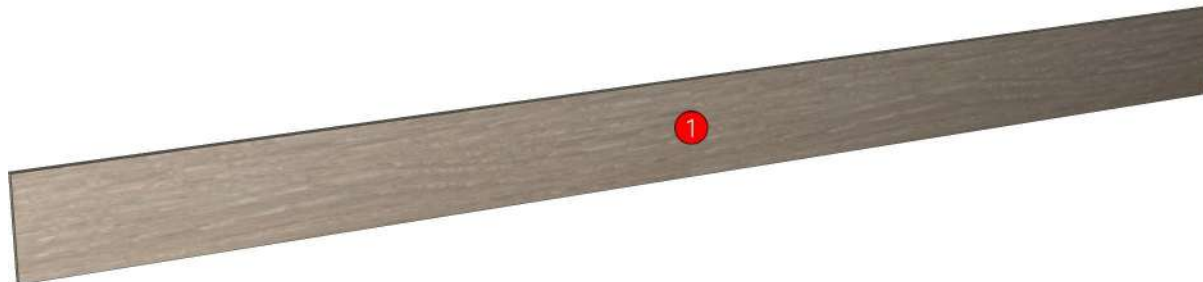
01.255=1 RHODES AP7

K112L-160123160

K119R-160134173



<b>R&amp;D REVIEW</b>	
<input checked="" type="checkbox"/>	DWG.Customer
<input checked="" type="checkbox"/>	Work Report
<input type="checkbox"/>	Function
<input type="checkbox"/>	สินค้าตรงตัวอย่าง
ผู้ทบทวน <u>P.SAWAI</u>	
<u>20/06/2023</u>	



ปิดขอบด้วยกาว PUR

<b>Model</b>	REFERENCE_DF_CL2100		
<b>Creator</b>	PASATHORN	<b>.BCP Name</b>	INDEX_C3D_KITCHEN2
<b>Reviewer</b>		<b>Order</b>	I002375
<b>Approves</b>	P.SAWAI	<b>Date</b>	20/06/2023

## REFERENCE\_DF\_CL2100-2100X12X150

**Colour**

02.43=FOIL AP7 AQ-152-12KBWG (AQ PAPER)

**Edge**

01.255=1 RHODES AP7

<b>R&amp;D REVIEW</b>	
<input checked="" type="checkbox"/>	DWG.Customer
<input checked="" type="checkbox"/>	Work Report
<input type="checkbox"/>	Function
<input type="checkbox"/>	สินค้าตรงตัวอย่าง
ผู้ทบทวน <u>P.SAWAI</u>	
<u>20/06/2023</u>	

K102L-160131186

K102R-160123111

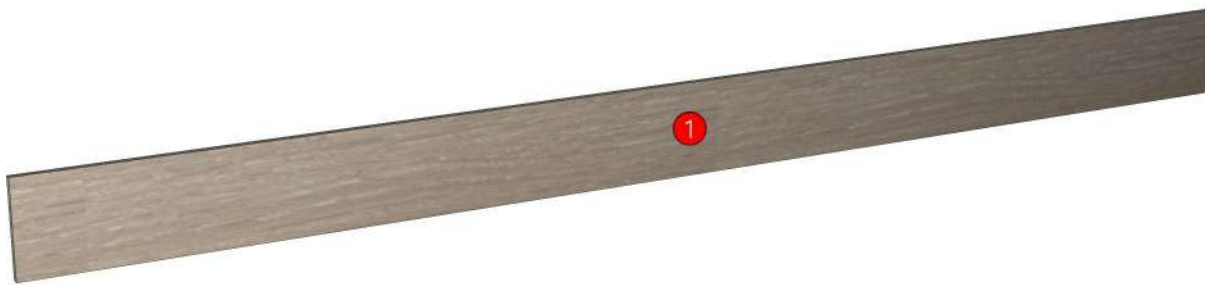
K117L-160123170

K118R-160131219

K119R-160134173



K109R-160123138



ปิดขอบด้วยกาว PUR

<b>Model</b>	REFERENCE_DF_CL900		
<b>Creator</b>	PASATHORN	<b>.BCP Name</b>	INDEX_C3D_KITCHEN2
<b>Reviewer</b>		<b>Order</b>	I002370
<b>Approves</b>	P.SAWAI	<b>Date</b>	20/06/2023

## REFERENCE\_DF\_CL900-900X12X150

**Colour**

02.43=FOIL AP7 AQ-152-12KBWG (AQ PAPER)

**Edge**

01.255=1 RHODES AP7

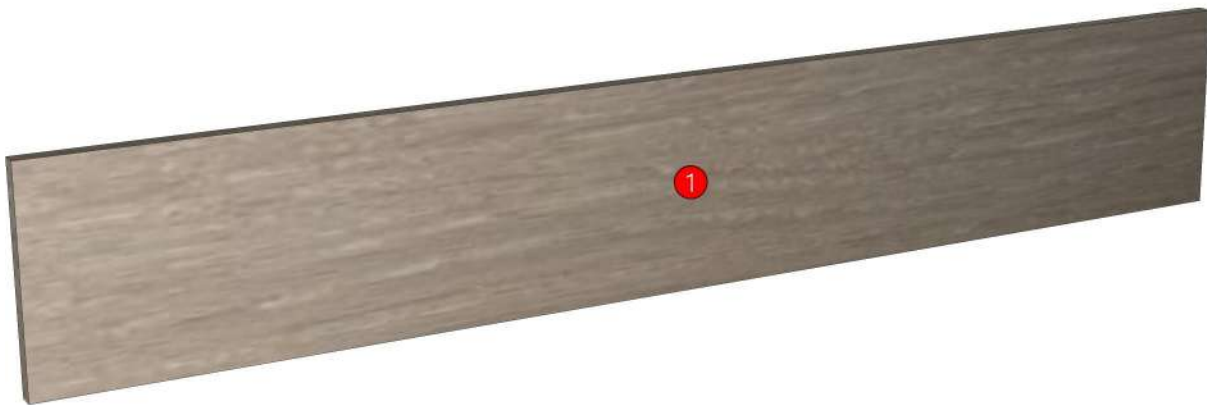
K126R-160131546

<b>R&amp;D REVIEW</b>	
<input checked="" type="checkbox"/>	DWG.Customer
<input checked="" type="checkbox"/>	Work Report
<input type="checkbox"/>	Function
<input type="checkbox"/>	สินค้าตรงตัวอย่าง
ผู้ทบทวน P.SAWAI	
20/06/2023	

K119R-160134173



K109R-160123138



ปิดขอบด้วยกาว PUR

<b>Model</b>	REFERENCE_DF_CL350		
<b>Creator</b>	PASATHORN	<b>.BCP Name</b>	INDEX_C3D_KITCHEN2
<b>Reviewer</b>		<b>Order</b>	I002367
<b>Approves</b>	P.SAWAI	<b>Date</b>	20/06/2023

## REFERENCE\_DF\_CL350-350X12X150

### Colour

02.43=FOIL AP7 AQ-152-12KBWG (AQ PAPER)

### Edge

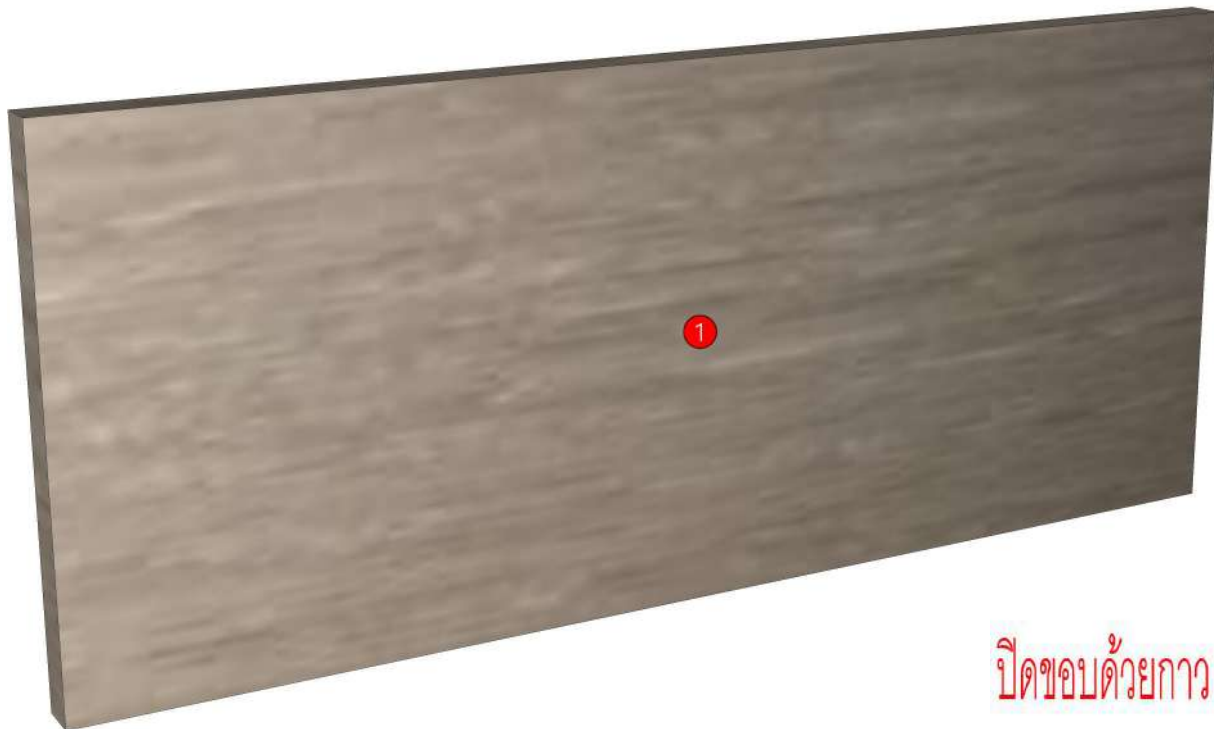
01.255=1 RHODES AP7

K100L-160131166  
K101L-160131176  
K102L-160131186  
K102R-160123111  
K103R-160131196  
K105R-160131209  
K108L-160123120  
K108R-160123129  
K109R-160123138  
K110R-160123152

K112L-160123160  
K113-160134022  
K114L-160129206  
K117L-160123170  
K118R-160131219  
K119R-160134173  
K122L-160123183  
K123L-160123193  
K123R-160123203  
K124R-160134041

K126R-160131546  
K127L-160134193

<b>R&amp;D REVIEW</b>	
<input checked="" type="checkbox"/>	DWG.Customer
<input checked="" type="checkbox"/>	Work Report
<input type="checkbox"/>	Function
<input type="checkbox"/>	สินค้าตรงตัวอย่าง
ผู้ทบทวน P.SAWAI	
20/06/2023	



ปิดขอบด้วยกาว PUR



<b>Model</b>	-REFERENCE_D_PLT1100		
<b>Creator</b>		<b>.BCP Name</b>	INDEX_C3D_KITCHEN2
<b>Reviewer</b>		<b>Order</b>	I002727
<b>Approves</b>		<b>Date</b>	



<b>Model</b>	REFERENCE_D_PLT2300		
<b>Creator</b>	PASATHORN	<b>.BCP Name</b>	INDEX_C3D_KITCHEN2
<b>Reviewer</b>		<b>Order</b>	I002803
<b>Approves</b>	P.SAWAI	<b>Date</b>	12/12/2023

## REFERENCE\_D\_PLT2300-2300X12X100

**Colour**

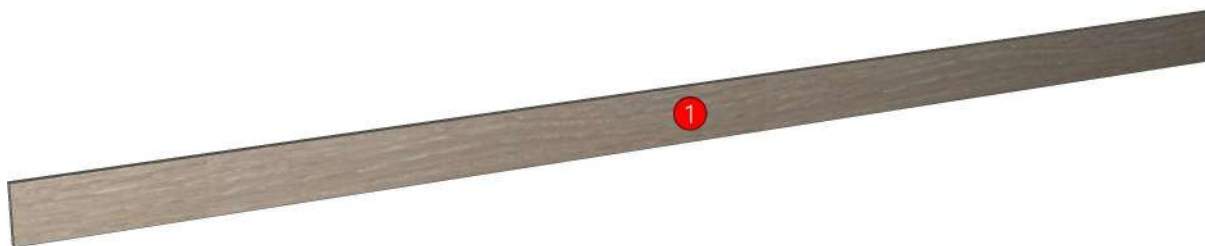
02.43=FOIL AP7 AQ-152-12KBWG (AQ PAPER)

**Edge**

01.255=1 RHODES AP7

K127L-160134193

<b>R&amp;D REVIEW</b>	
<input checked="" type="checkbox"/>	DWG.Customer
<input checked="" type="checkbox"/>	Work Report
<input type="checkbox"/>	Function
<input type="checkbox"/>	สินค้าตรงตัวอย่าง
ผู้ทบทวน <u>P.SAWAI</u>	
<u>12/12/2023</u>	



ปิดขอบด้วยกาว PUR

<b>Model</b>	-REFERENCE_D_PLT2300		
<b>Creator</b>		<b>.BCP Name</b>	INDEX_C3D_KITCHEN2
<b>Reviewer</b>		<b>Order</b>	I002803
<b>Approves</b>		<b>Date</b>	



<b>Model</b>	REFERENCE_D_PLT1950		
<b>Creator</b>	PASATHORN	<b>.BCP Name</b>	INDEX_C3D_KITCHEN2
<b>Reviewer</b>		<b>Order</b>	I002699
<b>Approves</b>	P.SAWAI	<b>Date</b>	17/10/2023

## REFERENCE\_D\_PLT1950-1950X12X100

**Colour**

02.43=FOIL AP7 AQ-152-12KBWG (AQ PAPER)

**Edge**

01.255=1 RHODES AP7

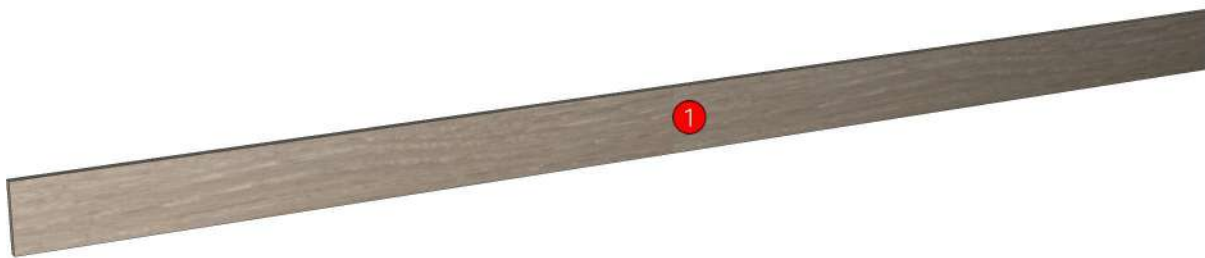
<b>R&amp;D REVIEW</b>	
<input checked="" type="checkbox"/>	DWG.Customer
<input checked="" type="checkbox"/>	Work Report
<input type="checkbox"/>	Function
<input type="checkbox"/>	สินค้าตรงตัวอย่าง
ผู้ทบทวน P.SAWAI	
17/10/2023	

K114L-160129206

K119R-160134173



K124R-160134041



ปิดขอบด้วยกาว PUR

<b>Model</b>	-REFERENCE_D_PLT1950		
<b>Creator</b>		<b>.BCP Name</b>	INDEX_C3D_KITCHEN2
<b>Reviewer</b>		<b>Order</b>	I002699
<b>Approves</b>		<b>Date</b>	



<b>Model</b>	REFERENCE_D_PLT600		
<b>Creator</b>	PASATHORN	<b>.BCP Name</b>	INDEX_C3D_KITCHEN2
<b>Reviewer</b>		<b>Order</b>	I002357
<b>Approves</b>	P.SAWAI	<b>Date</b>	16/06/2023

## REFERENCE\_D\_PLT600-600X12X100

### Colour

02.43=FOIL AP7 AQ-152-12KBWG (AQ PAPER)

### Edge

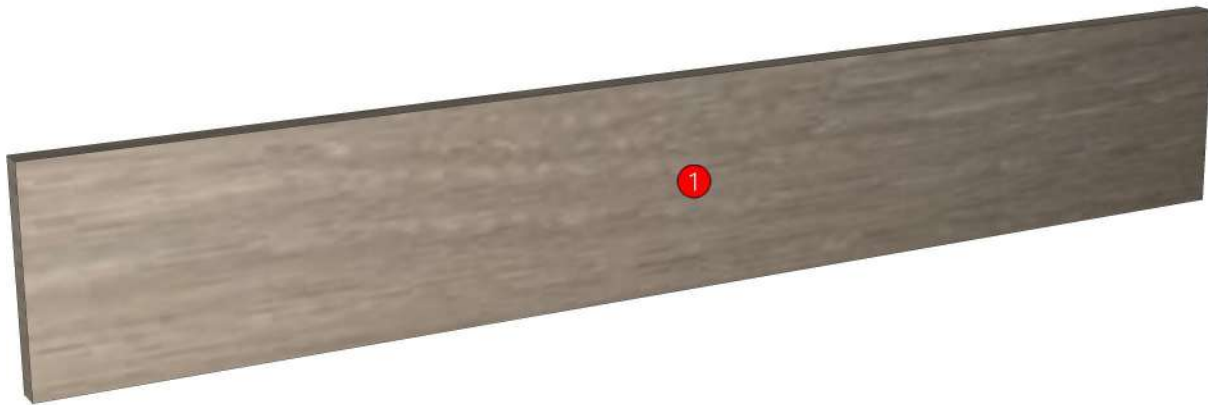
01.255=1 RHODES AP7

K100L-160131166  
K101L-160131176  
K102L-160131186  
K102R-160123111  
K103R-160131196  
K105R-160131209  
K108L-160123120  
K108R-160123129  
K109R-160123138  
K110R-160123152

K112L-160123160  
K113-160134022  
K114L-160129206  
K117L-160123170  
K118R-160131219  
K119R-160134173  
K122L-160123183  
K123L-160123193  
K123R-160123203  
K124R-160134041

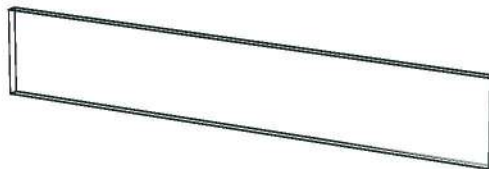
K126R-160131546  
K127L-160134193

<b>R&amp;D REVIEW</b>	
<input checked="" type="checkbox"/>	DWG.Customer
<input checked="" type="checkbox"/>	Work Report
<input type="checkbox"/>	Function
<input type="checkbox"/>	สินค้าตรงตัวอย่าง
ผู้ทบทวน P.SAWAI	
16/06/2023	



ปิดขอบด้วยกาว PUR

<b>Model</b>	-REFERENCE_D_PLT600		
<b>Creator</b>		<b>.BCP Name</b>	INDEX_C3D_KITCHEN2
<b>Reviewer</b>		<b>Order</b>	I002357
<b>Approves</b>		<b>Date</b>	



<b>Model</b>	REFERENCE_DDM1950		
<b>Creator</b>	PASATHORN	<b>.BCP Name</b>	INDEX_C3D_KITCHEN2
<b>Reviewer</b>		<b>Order</b>	I002556
<b>Approves</b>	P.SAWAI	<b>Date</b>	06/09/2023

## REFERENCE\_DDM1950-1950X6X550

**Colour**

03.13=PVC WHITE#630 T0.15MM.

**Edge**

=

K112L-160123160

K103R-160131196

K119R-160134173



**R&D REVIEW**

- DWG.Customer
- Work Report
- Function
- สินค้าตรงตัวอย่าง

ผู้ทบทวน P.SAWAI

06/09/2023

