

<b>Model</b>	THE_NEXT_RC_DBH601		
<b>Creator</b>	CHALEAMPHON	<b>.BCP Name</b>	INDEX_C3D_KITCHEN2
<b>Reviewer</b>		<b>Order</b>	H000432
<b>Approves</b>		<b>Date</b>	21/12/2023

## **THE\_NEXT\_RC\_DBH601-600X570X788**

### **Colour**

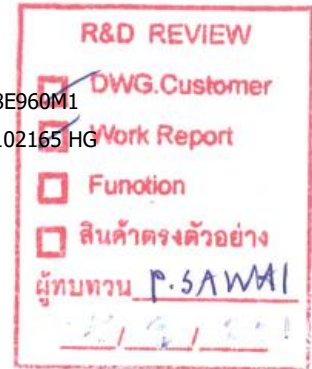
20.46=ML.GREY MK3238 (PEARL)

20.56=ML.GREY MK3238 (MATT)

### **Edge**

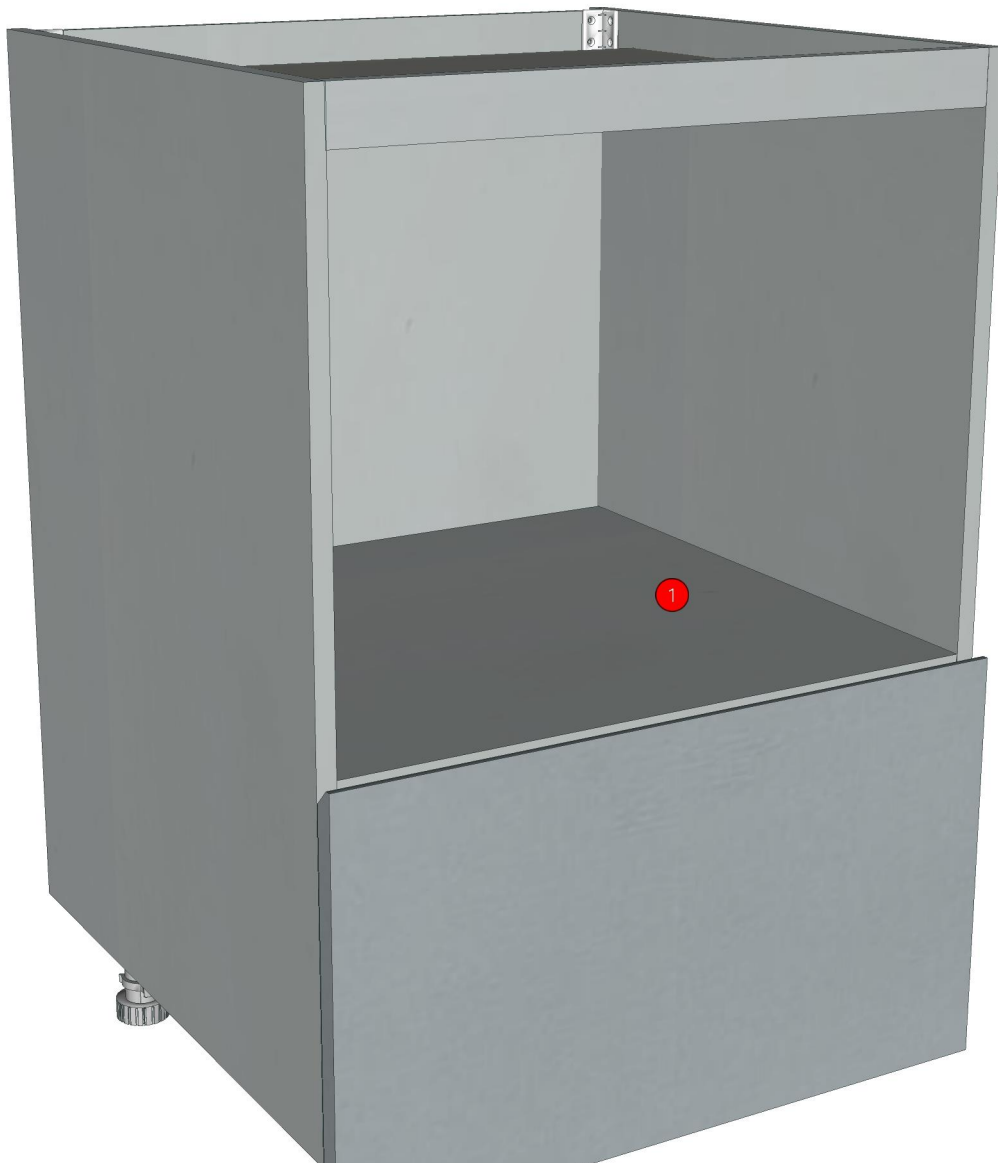
01.227=1 LIGHT SAND GRAY-8E960M1

01.347=1 MK3238 HI-GROSS:102165 HG

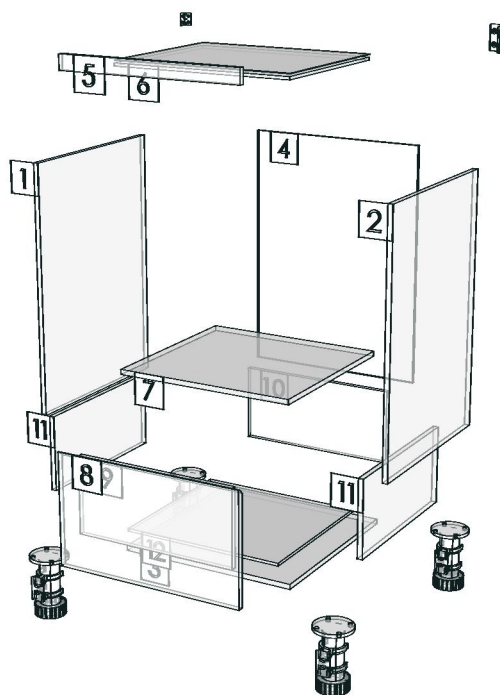


K100R-160121016

K101L-160134095



<b>Model</b>	-THE_NEXT_RC		
<b>Creator</b>	CHALEAMPHON	<b>.BCP Name</b>	INDEX_C3D_KITCHEN2
<b>Reviewer</b>		<b>Order</b>	H000432
<b>Approves</b>		<b>Date</b>	21/12/2023



<b>Model</b>	THE_NEXT_RC_DBD252		
<b>Creator</b>	CHALEAMPON	<b>.BCP Name</b>	INDEX_C3D_KITCHEN2
<b>Reviewer</b>		<b>Order</b>	H000764
<b>Approves</b>		<b>Date</b>	21/12/2023

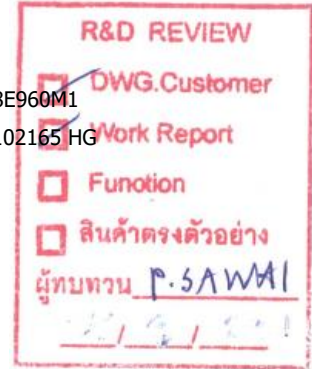
## **THE\_NEXT\_RC\_DBD252-250X570X788**

**Colour**

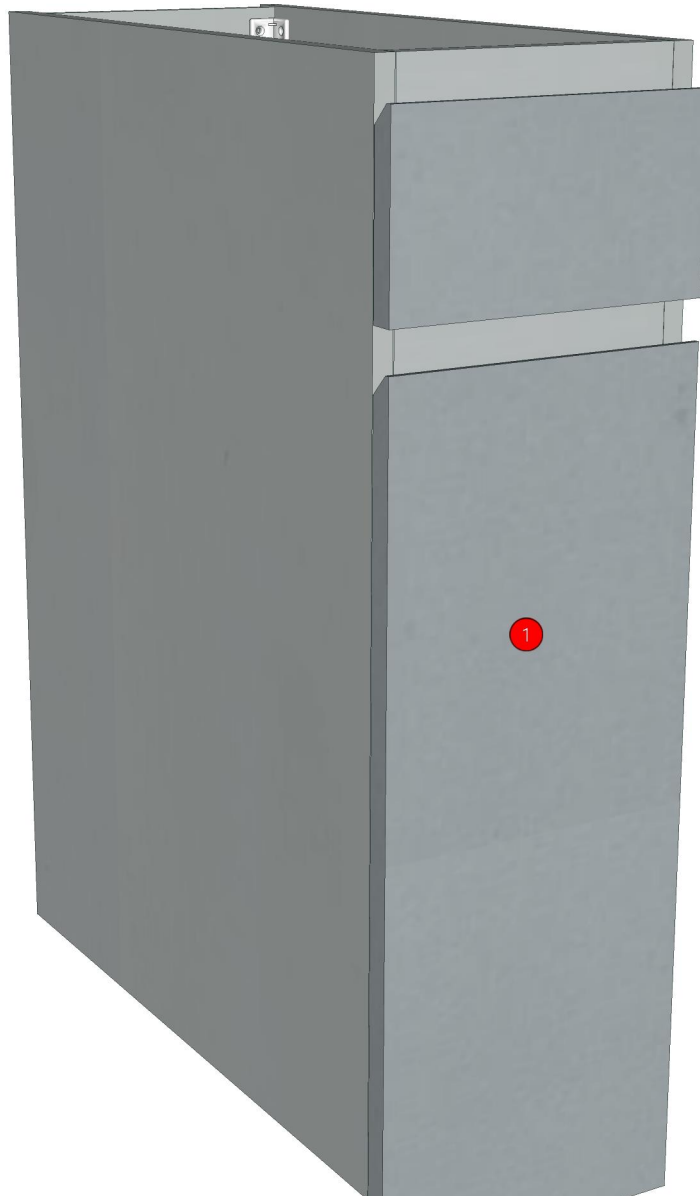
20.46=ML.GREY MK3238 (PEARL)  
20.56=ML.GREY MK3238 (MATT)

**Edge**

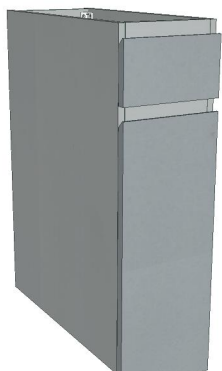
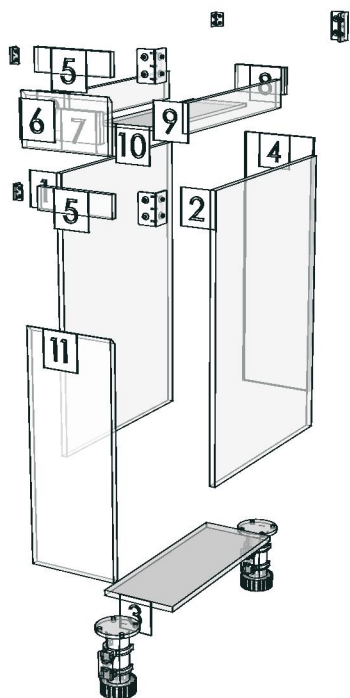
01.227=1 LIGHT SAND GRAY-8E960M1  
01.347=1 MK3238 HI-GROSS:102165 HG



K101L-160134095



<b>Model</b>	-THE_NEXT_RC		
<b>Creator</b>	CHALEAMPHON	<b>.BCP Name</b>	INDEX_C3D_KITCHEN2
<b>Reviewer</b>		<b>Order</b>	H000764
<b>Approves</b>		<b>Date</b>	21/12/2023



<b>Model</b>	THE_NEXT_RC_DBS60L		
<b>Creator</b>	CHALEAMPHON	<b>.BCP Name</b>	INDEX_C3D_KITCHEN2
<b>Reviewer</b>		<b>Order</b>	H000765
<b>Approves</b>		<b>Date</b>	21/12/2023

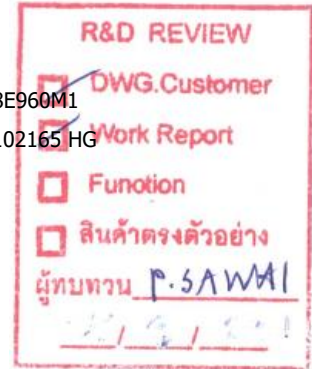
## THE\_NEXT\_RC\_DBS60L-600X570X788

**Colour**

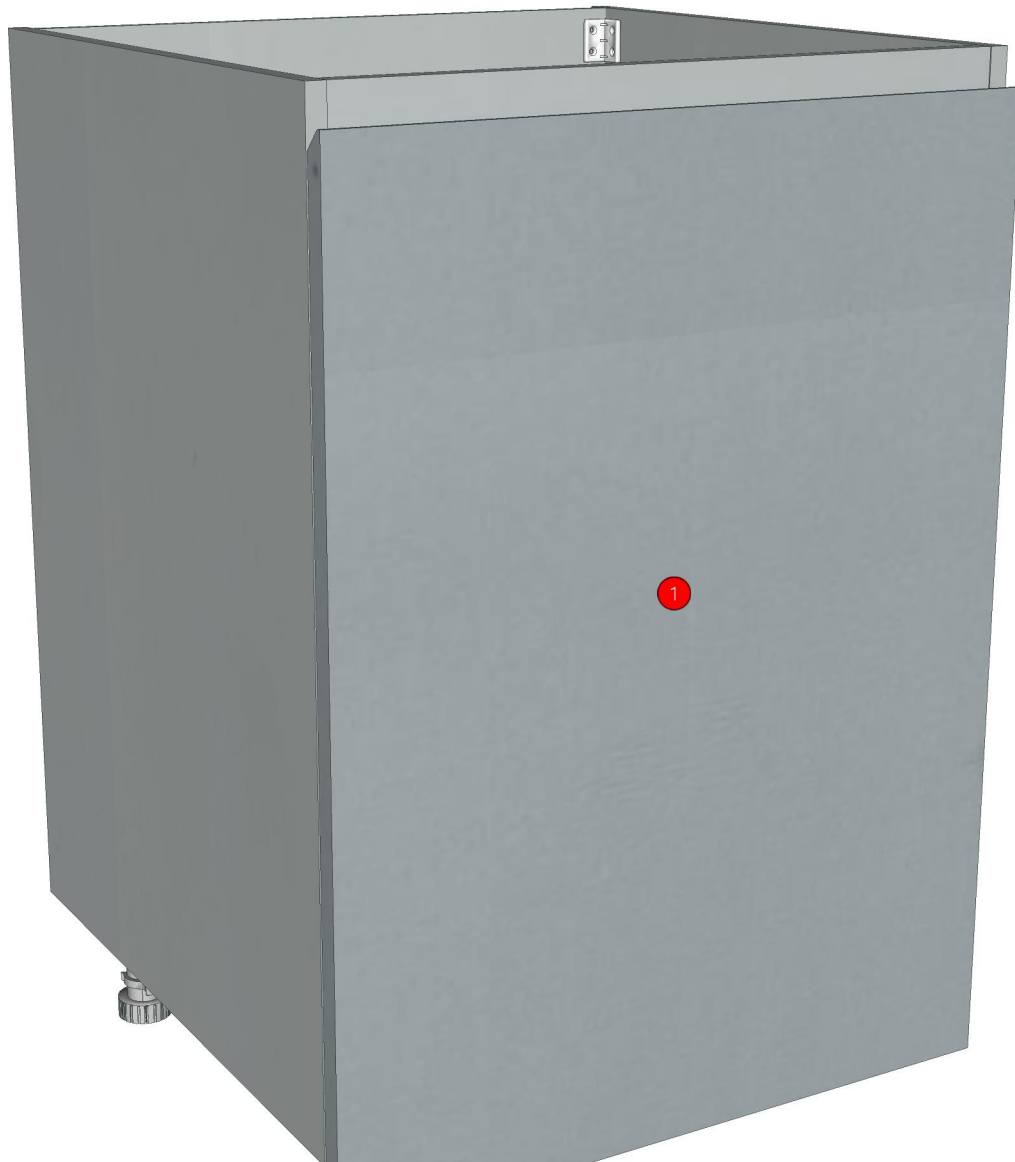
20.46=ML.GREY MK3238 (PEARL)  
20.56=ML.GREY MK3238 (MATT)

**Edge**

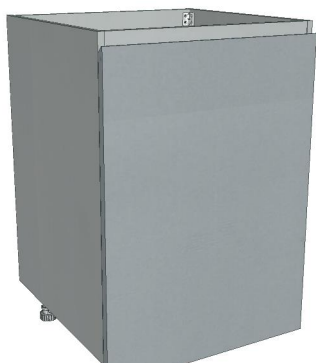
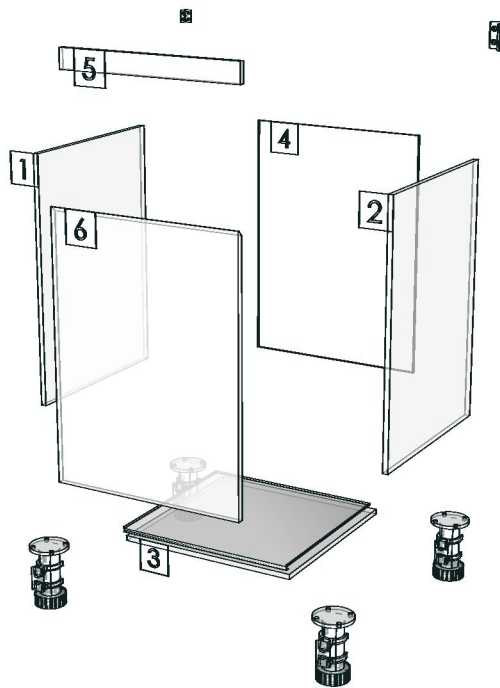
01.227=1 LIGHT SAND GRAY-8E960M1  
01.347=1 MK3238 HI-GROSS:102165 HG



K101L-160134095



<b>Model</b>	-THE_NEXT_RC		
<b>Creator</b>	CHALEAMPON	<b>.BCP Name</b>	INDEX_C3D_KITCHEN2
<b>Reviewer</b>		<b>Order</b>	H000765
<b>Approves</b>		<b>Date</b>	21/12/2023



<b>Model</b>	THE_NEXT_RC_DL60HR		
<b>Creator</b>	CHALEAMPHON	<b>.BCP Name</b>	INDEX_C3D_KITCHEN2
<b>Reviewer</b>		<b>Order</b>	H000766
<b>Approves</b>		<b>Date</b>	21/12/2023

## **THE\_NEXT\_RC\_DL60HR-600X300X600**

**Colour**

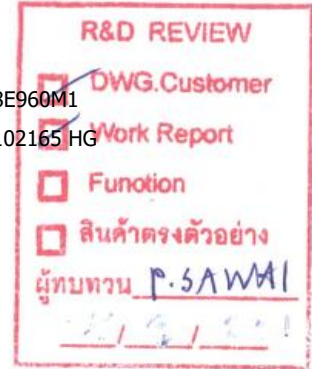
20.46=ML.GREY MK3238 (PEARL)

20.56=ML.GREY MK3238 (MATT)

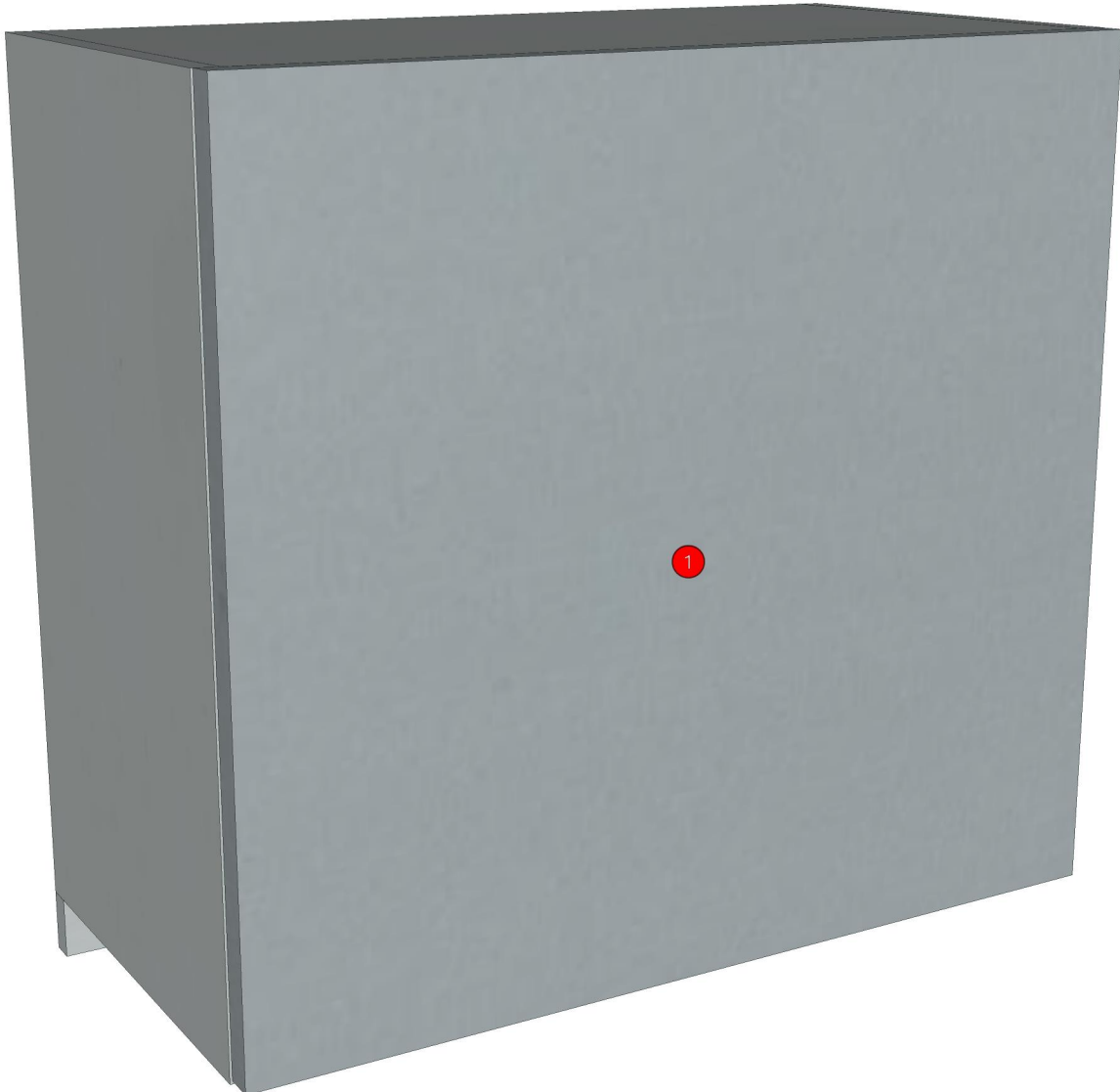
**Edge**

01.227=1 LIGHT SAND GRAY-8E960M1

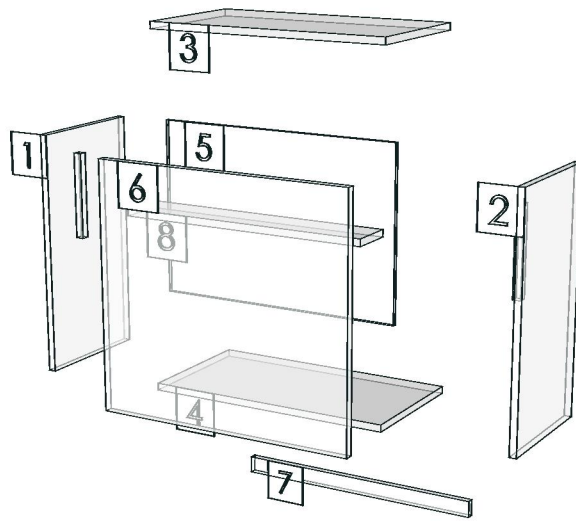
01.347=1 MK3238 HI-GROSS:102165 HG



K101L-160134095



<b>Model</b>	-THE_NEXT_RC		
<b>Creator</b>	CHALEAMPHON	<b>.BCP Name</b>	INDEX_C3D_KITCHEN2
<b>Reviewer</b>		<b>Order</b>	H000766
<b>Approves</b>		<b>Date</b>	21/12/2023



<b>Model</b>	THE_NEXT_RC_DLO85L		
<b>Creator</b>	CHALEAMPHON	<b>.BCP Name</b>	INDEX_C3D_KITCHEN2
<b>Reviewer</b>		<b>Order</b>	H000767
<b>Approves</b>		<b>Date</b>	21/12/2023

## THE\_NEXT\_RC\_DLO85L-850X300X500

### Colour

20.46=ML.GREY MK3238 (PEARL)

20.56=ML.GREY MK3238 (MATT)

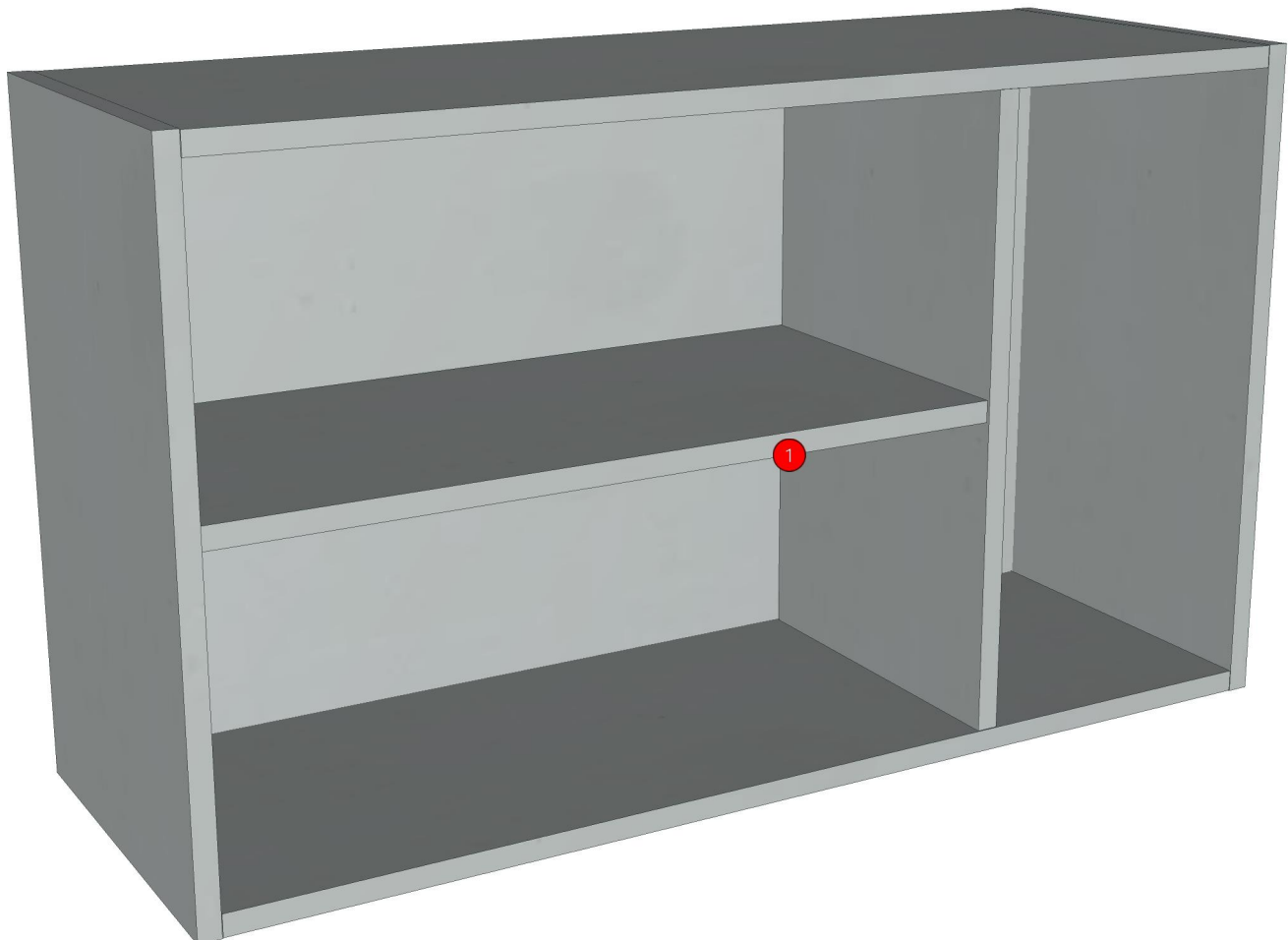
### Edge

01.227=1 LIGHT SAND GRAY-8E960M1

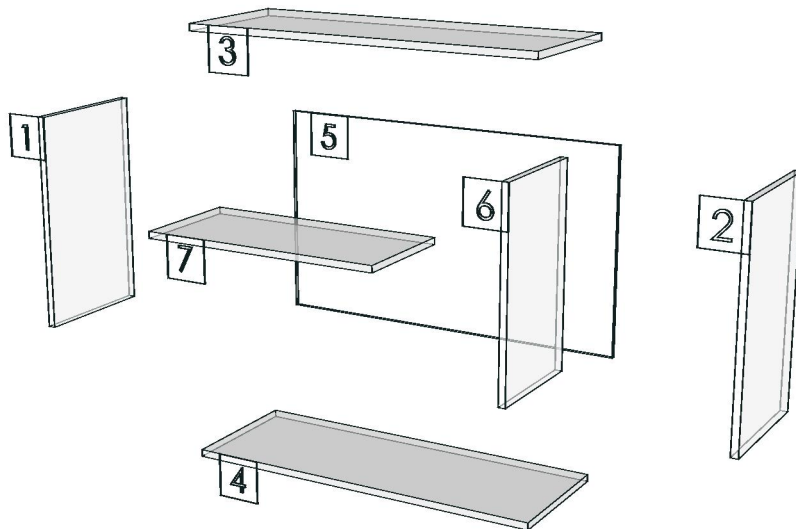
01.347=1 MK3238 HI-GROSS:102165 HG

<b>R&amp;D REVIEW</b>	
<input checked="" type="checkbox"/>	DWG.Customer
<input checked="" type="checkbox"/>	Work Report
<input type="checkbox"/>	Function
<input type="checkbox"/>	สินค้าตรงตัวอย่าง
ผู้ทบทวน <u>P.SAWAI</u>	
<u>21/12/2023</u>	

K101L-160134095



<b>Model</b>	-THE_NEXT_RC		
<b>Creator</b>	CHALEAMPHON	<b>.BCP Name</b>	INDEX_C3D_KITCHEN2
<b>Reviewer</b>		<b>Order</b>	H000767
<b>Approves</b>		<b>Date</b>	21/12/2023



<b>Model</b>	THE_NEXT_RC_DDM85		
<b>Creator</b>	CHALEAMPON	<b>.BCP Name</b>	INDEX_C3D_KITCHEN2
<b>Reviewer</b>		<b>Order</b>	H000768
<b>Approves</b>		<b>Date</b>	21/12/2023

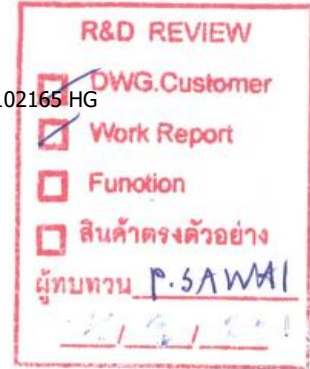
## THE\_NEXT\_RC\_DDM85-850X16X100

**Colour**

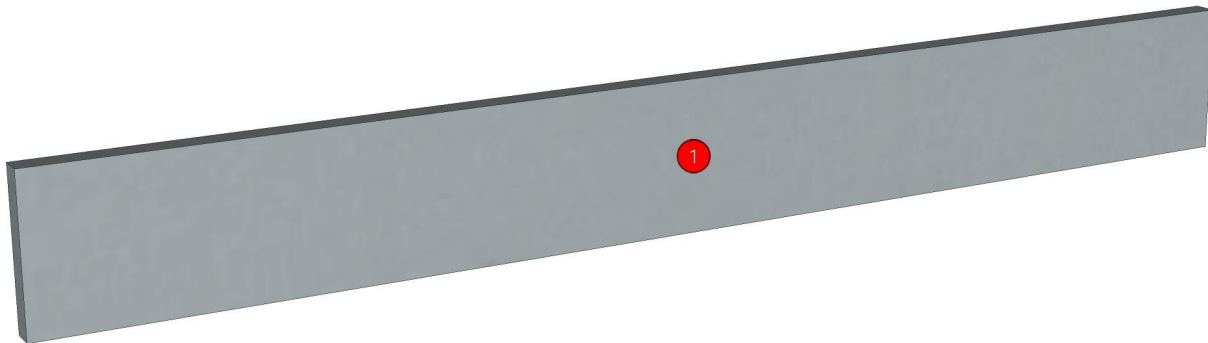
20.56=ML.GREY MK3238 (MATT)

**Edge**

01.347=1 MK3238 HI-GROSS:102165 HG



K101L-160134095



<b>Model</b>	THE_NEXT_RC_DPLT_1450		
<b>Creator</b>	CHALEAMPON	<b>.BCP Name</b>	INDEX_C3D_KITCHEN2
<b>Reviewer</b>		<b>Order</b>	H000442
<b>Approves</b>		<b>Date</b>	22/12/2023

## **THE\_NEXT\_RC\_DPLT\_1450-1450X9X100**

### **Colour**

20.46=ML.GREY MK3238 (PEARL)

20.56=ML.GREY MK3238 (MATT)

### **Edge**

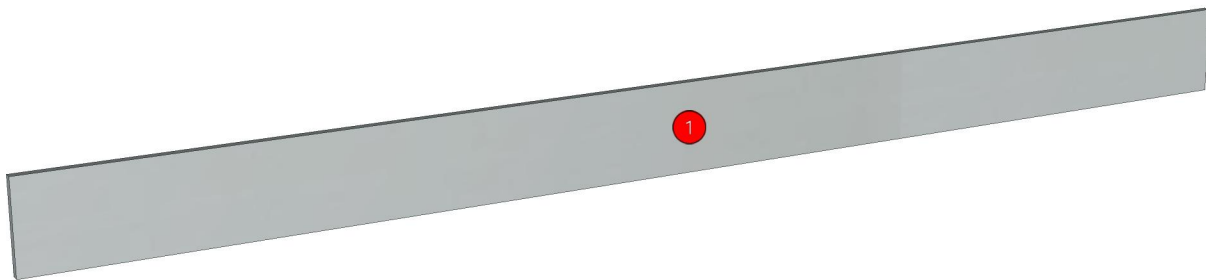
01.227=1 LIGHT SAND GRAY-8E960M1

01.347=1 MK3238 HI-GROSS:102165 HG

<b>R&amp;D REVIEW</b>	
<input checked="" type="checkbox"/>	DWG.Customer
<input checked="" type="checkbox"/>	Work Report
<input type="checkbox"/>	Function
<input type="checkbox"/>	สินค้าตรงตัวอย่าง
ผู้ทบทวน <u>P.SAWAI</u>	
<u>22/12/23</u>	

K100R-160121016

K101L-160134095



<b>Model</b>	THE_NEXT_RC_DPLT_600		
<b>Creator</b>	CHALEAMPON	<b>.BCP Name</b>	INDEX_C3D_KITCHEN2
<b>Reviewer</b>		<b>Order</b>	H000443
<b>Approves</b>		<b>Date</b>	22/12/2023

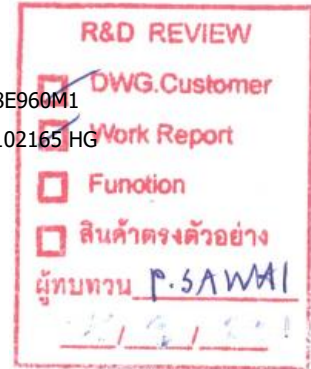
## **THE\_NEXT\_RC\_DPLT\_600-600X9X100**

### **Colour**

20.46=ML.GREY MK3238 (PEARL)  
20.56=ML.GREY MK3238 (MATT)

### **Edge**

01.227=1 LIGHT SAND GRAY-8E960M1  
01.347=1 MK3238 HI-GROSS:102165 HG



K100R-160121016  
K101L-160134095

