

Model	REFERENCE_DBS80		
Creator	PASATHORN	.BCP Name	INDEX_C3D_KITCHEN2
Reviewer		Order	I002411
Approves	P. SAWAI	Date	28/06/2023

REFERENCE_DBS80-800X570X888

Colour

02.43=FOIL AP7 AQ-152-12KBWG (AQ PAPER)

03.13=PVC WHITE#630 T0.15MM.

Edge

01.255=1 RHODES AP7

R&D REVIEW	
<input checked="" type="checkbox"/>	DWG. Customer
<input checked="" type="checkbox"/>	Work Report
<input type="checkbox"/>	Function
<input type="checkbox"/>	สินค้าตรงตัวอย่าง
ผู้ทบทวน P. SAWAI	
28/06/2023	

K110R-160123152



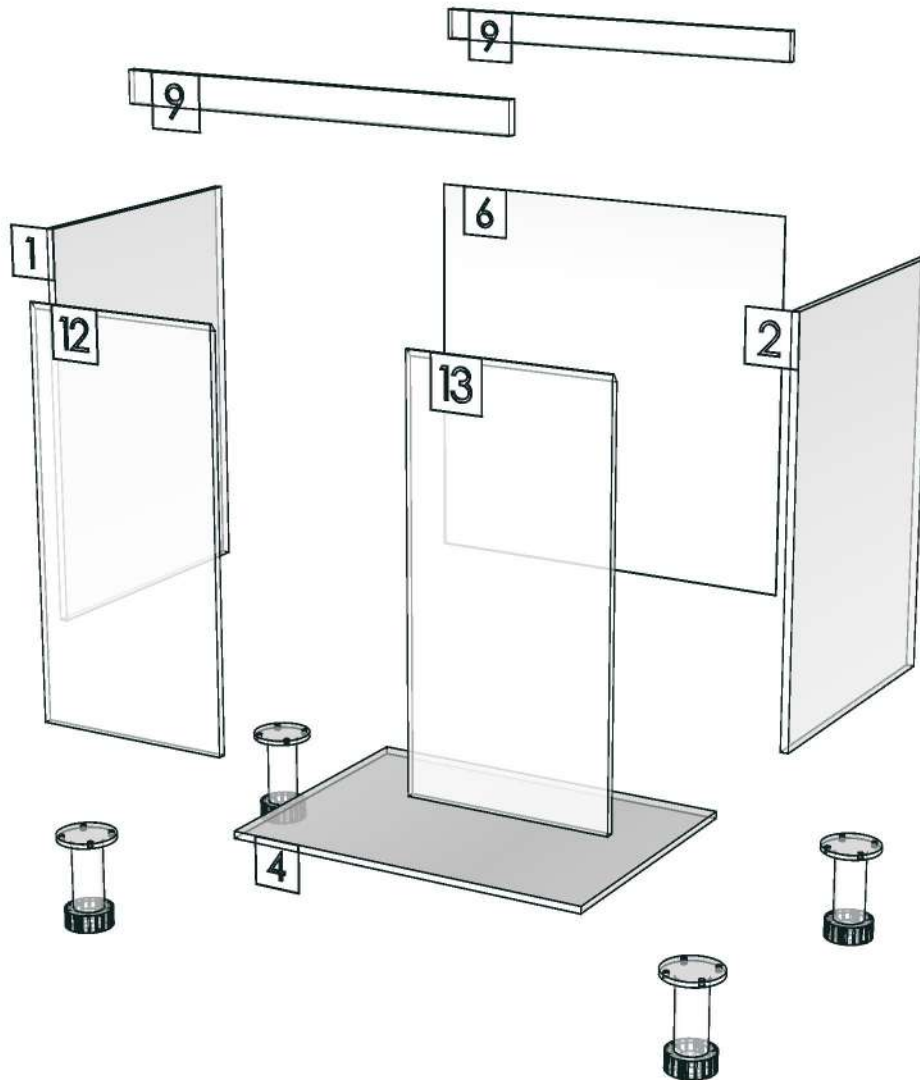
K124R-160134041

1

1

ปิดขอบด้วยกาว PUR

Model	-REFERENCE_DBS80		
Creator		.BCP Name	INDEX_C3D_KITCHEN2
Reviewer		Order	I002411
Approves		Date	



Model	REFERENCE_DB601R		
Creator	PASATHORN	.BCP Name	INDEX_C3D_KITCHEN2
Reviewer		Order	I002778
Approves	P.SAWAI	Date	14/11/2023

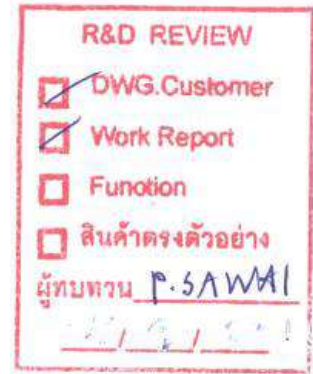
REFERENCE_DB601R-600X570X888

Colour

02.43=FOIL AP7 AQ-152-12KBWG (AQ PAPER)
02.56=PAPER FOIL 60GMS.WHITE PEARL #VC-70146-MB-60G
20.24=ML AE9V (PEARL)
03.13=PVC WHITE#630 T0.15MM.

Edge

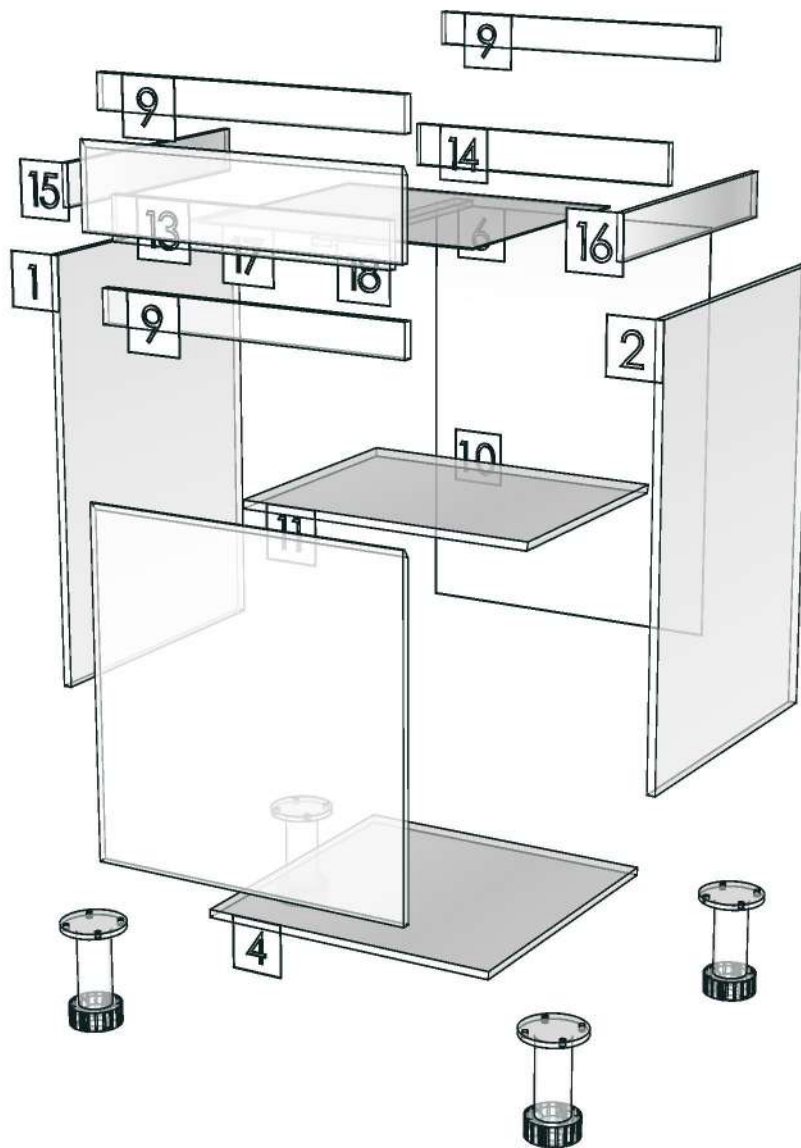
01.255=1 RHODES AP7
01.47=1 WHITE



ปิดขอบด้วยกาว PUR

Model	-REFERENCE_DB601R		
Creator		.BCP Name	INDEX_C3D_KITCHEN2
Reviewer		Order	I002778
Approves		Date	

12



Model	REFERENCE_DBH652		
Creator	PASATHORN	.BCP Name	INDEX_C3D_KITCHEN2
Reviewer		Order	I002713
Approves	P.SAWAI	Date	19/10/2023

REFERENCE_DBH652-650X570X888

Colour

02.43=FOIL AP7 AQ-152-12KBWG (AQ PAPER)
02.56=PAPER FOIL 60GMS.WHITE PEARL #VC-70146-MB-60G
20.07=ML AE9V (MATT)
03.13=PVC WHITE#630 T0.15MM.

Edge

01.255=1 RHODES AP7
01.47=1 WHITE

K113-160134022
K114L-160129206



R&D REVIEW

DWG.Customer

Work Report

Function

สินค้าตรงตัวอย่าง

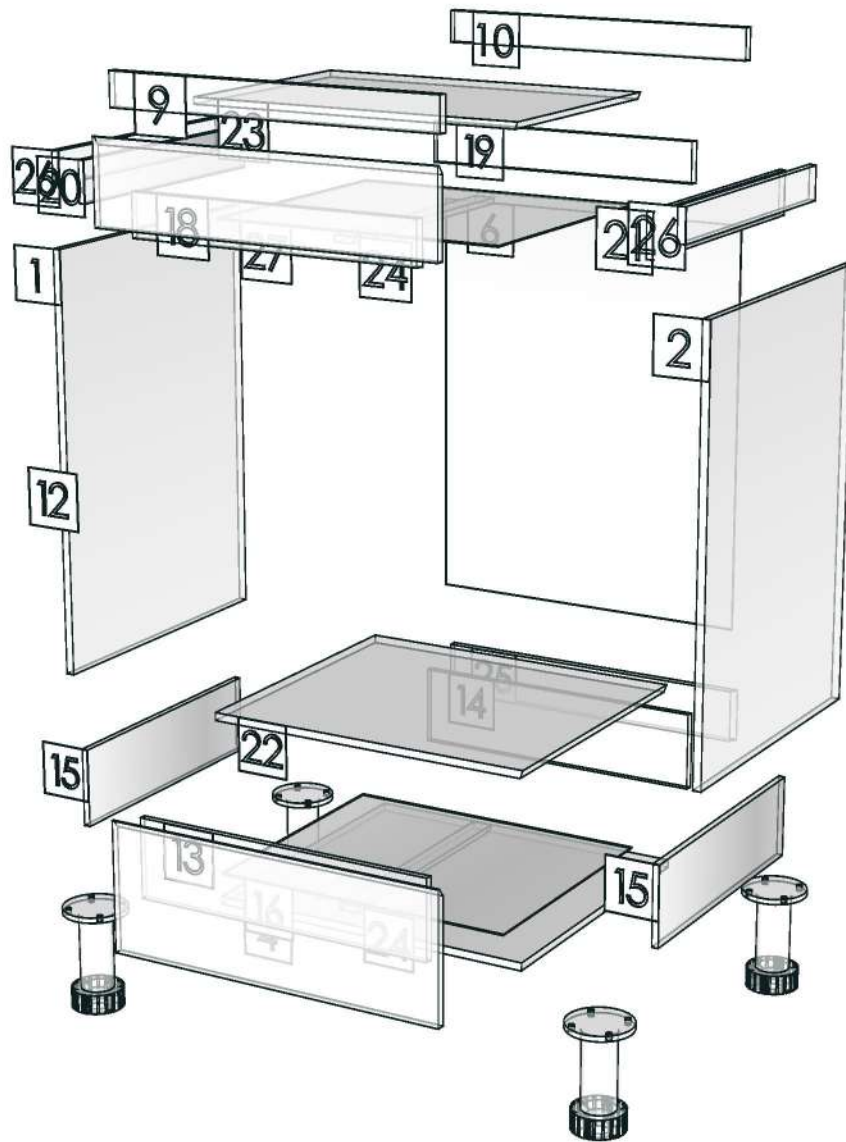
ผู้ทบทวน P.SAWAI



ปิดขอบด้วยกาว PUR

Model	-REFERENCE_DBH652		
Creator		.BCP Name	INDEX_C3D_KITCHEN2
Reviewer		Order	I002713
Approves		Date	

17



Model	REFERENCE_DBD403D		
Creator	PASATHORN	.BCP Name	INDEX_C3D_KITCHEN2
Reviewer		Order	I002716
Approves	P.SAWAI	Date	20/10/2023

REFERENCE_DBD403D-400X550X888

Colour

02.43=FOIL AP7 AQ-152-12KBWG (AQ PAPER)
02.56=PAPER FOIL 60GMS.WHITE PEARL #VC-70146-MB-60G
03.13=PVC WHITE#630 T0.15MM.

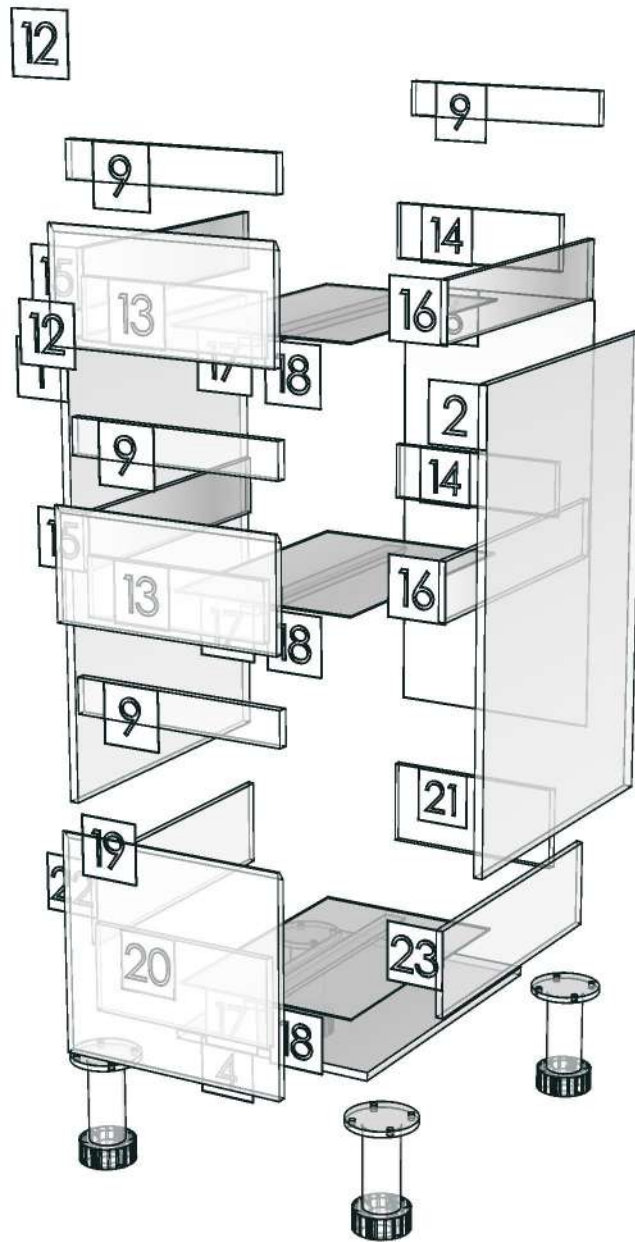
Edge

01.255=1 RHODES AP7
01.47=1 WHITE

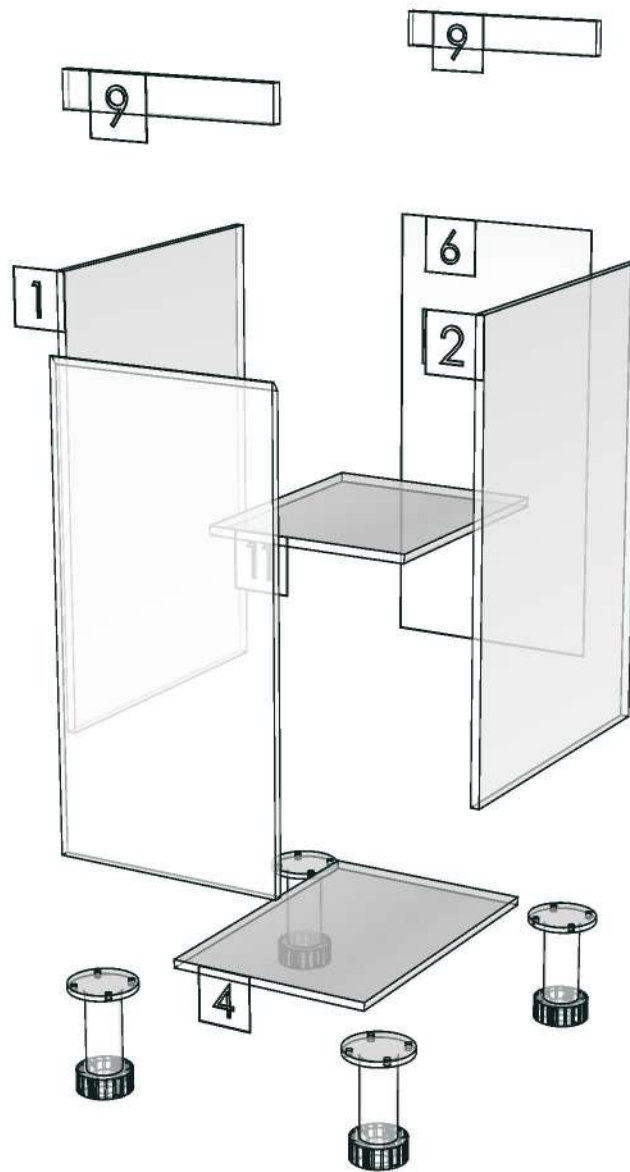
K114L-160129206



Model	-REFERENCE_DBD403D		
Creator		.BCP Name	INDEX_C3D_KITCHEN2
Reviewer		Order	I002716
Approves		Date	



Model	-REFERENCE_DB40LD		
Creator		.BCP Name	INDEX_C3D_KITCHEN2
Reviewer		Order	I002759
Approves	P.SAWAI	Date	



Model	REFERENCE_DBC10045RD		
Creator	PASATHORN	.BCP Name	INDEX_C3D_KITCHEN2
Reviewer		Order	I002779
Approves	P.SAWAI	Date	14/11/2023

REFERENCE_DBC10045RD-1000X550X888

Colour

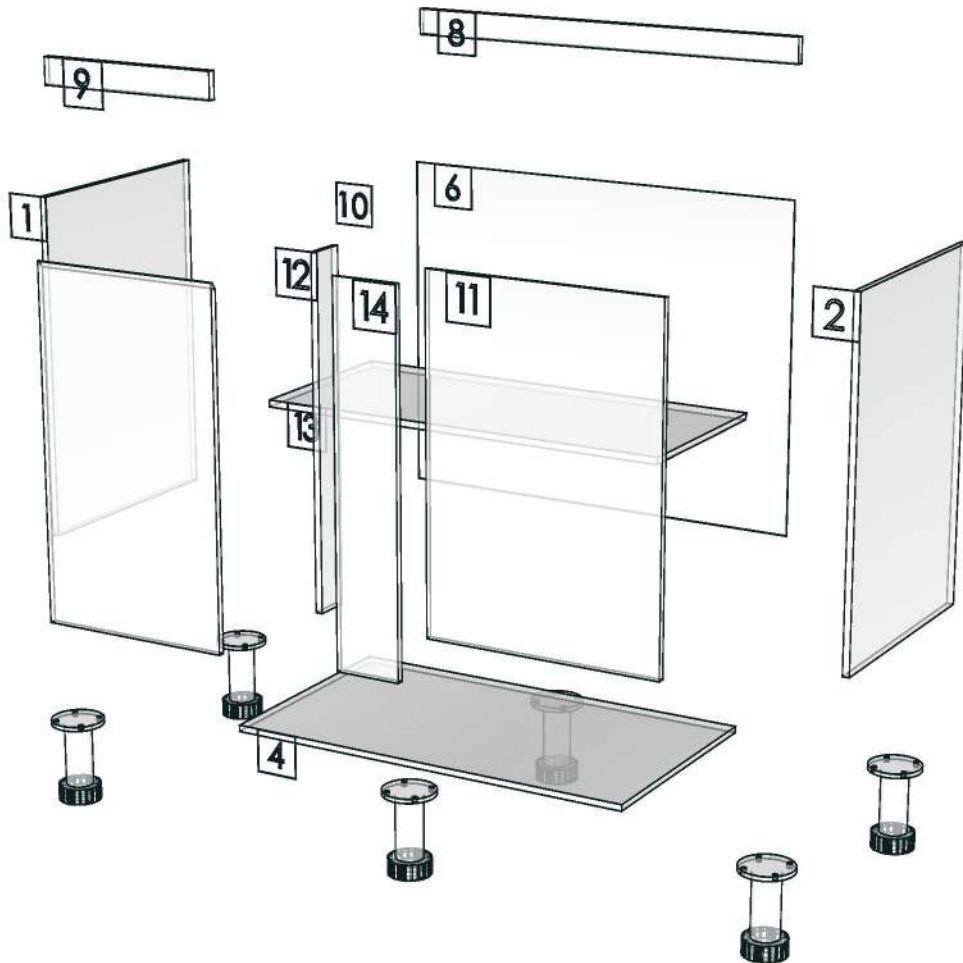
02.43=FOIL AP7 AQ-152-12KBWG (AQ PAPER)
03.13=PVC WHITE#630 T0.15MM.
20.24=ML AE9V (PEARL)

Edge

01.255=1 RHODES AP7
01.47=1 WHITE



Model	-REFERENCE_DBC10045RD		
Creator		.BCP Name	INDEX_C3D_KITCHEN2
Reviewer		Order	I002779
Approves		Date	



Model	REFERENCE_DLO20		
Creator	PASATHORN	.BCP Name	INDEX_C3D_KITCHEN2
Reviewer		Order	I002710
Approves	P.SAWAI	Date	18/10/2023

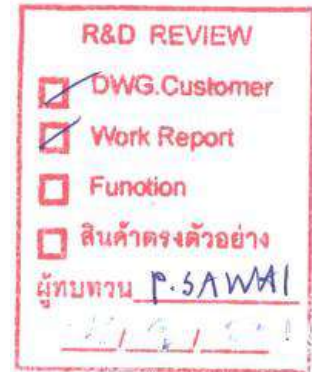
REFERENCE_DLO20-200X350X800

Colour

02.43=FOIL AP7 AQ-152-12KBWG (AQ PAPER)

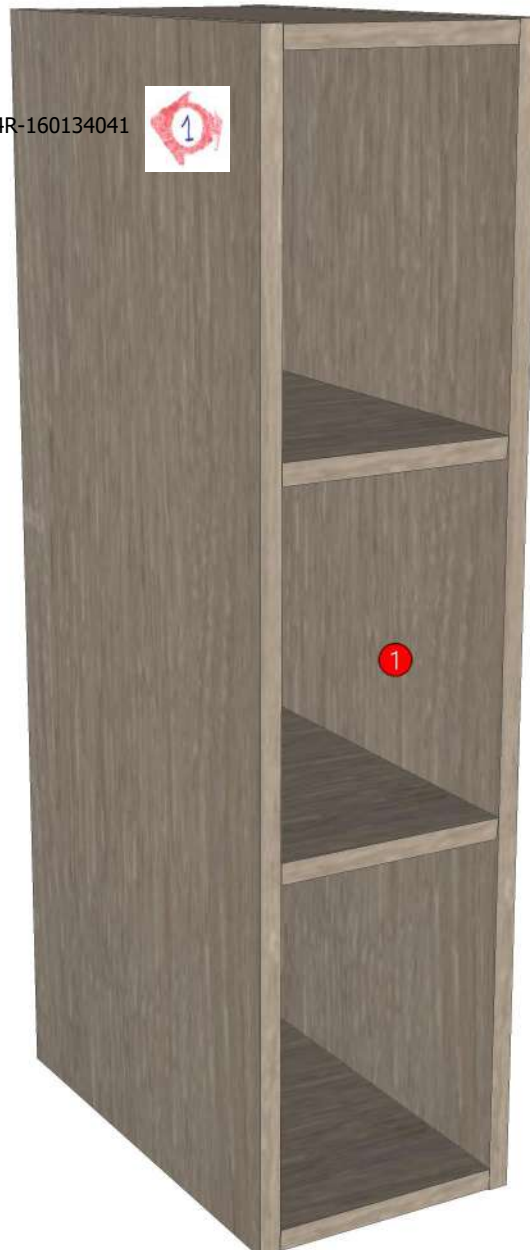
Edge

01.255=1 RHODES AP7



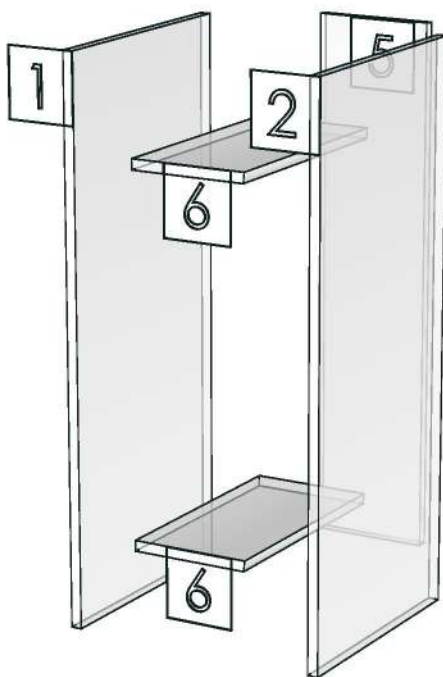
K114L-160129206

K124R-160134041



ปิดขอบด้วยกาว PUR

Model	-REFERENCE_DLO20		
Creator		.BCP Name	INDEX_C3D_KITCHEN2
Reviewer		Order	I002710
Approves		Date	



Model	REFERENCE_DL80SR		
Creator	PASATHORN	.BCP Name	INDEX_C3D_KITCHEN2
Reviewer		Order	I002777
Approves		Date	14/11/2023

REFERENCE_DL80SR-800X350X800

Colour

02.43=FOIL AP7 AQ-152-12KBWG (AQ PAPER)

03.13=PVC WHITE#630 T0.15MM.

20.24=ML AE9V (PEARL)

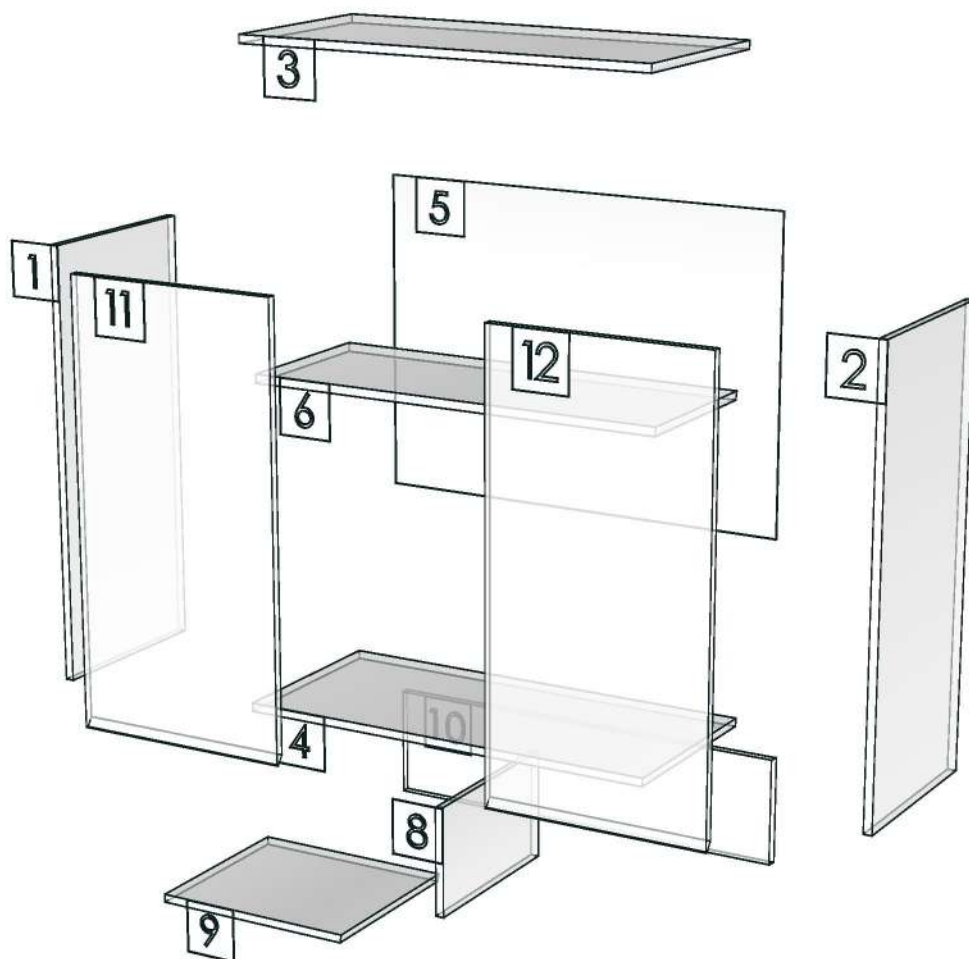
Edge

01.255=1 RHODES AP7

01.47=1 WHITE



Model	-REFERENCE_DL80SR		
Creator		.BCP Name	INDEX_C3D_KITCHEN2
Reviewer		Order	I002777
Approves		Date	



Model	REFERENCE_DL60RC		
Creator	PASATHORN	.BCP Name	INDEX_C3D_KITCHEN2
Reviewer		Order	I002754
Approves	P.SAWAI	Date	13/11/2023

REFERENCE_DL60RC-600X350X800

Colour

02.43=FOIL AP7 AQ-152-12KBWG (AQ PAPER)

Edge

01.255=1 RHODES AP7

R&D REVIEW	
<input checked="" type="checkbox"/>	DWG.Customer
<input checked="" type="checkbox"/>	Work Report
<input type="checkbox"/>	Function
<input type="checkbox"/>	สินค้าตรงตัวอย่าง
ผู้ทบทวน P.SAWAI	
13/11/2023	

K113-160134022



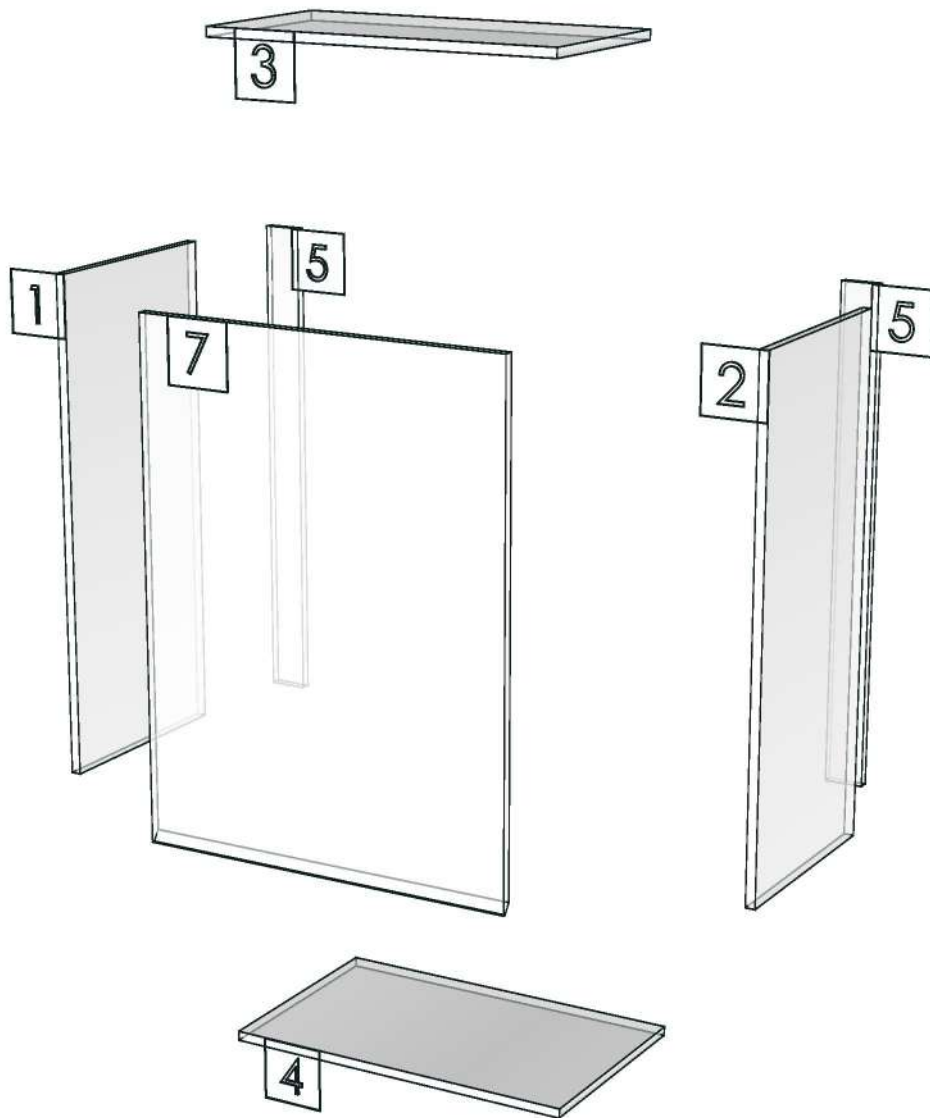
K118R-160131219

K124R-160134041



ปิดขอบด้วยกาว PUR

Model	-REFERENCE_DL60RC		
Creator		.BCP Name	INDEX_C3D_KITCHEN2
Reviewer		Order	I002754
Approves		Date	



Model	REFERENCE_DW70		
Creator	PASATHORN	.BCP Name	INDEX_C3D_KITCHEN2
Reviewer		Order	I002382
Approves	P.SAWAI	Date	22/06/2023

REFERENCE_DW70-700X350X500

Colour

02.43=FOIL AP7 AQ-152-12KBWG (AQ PAPER)
03.13=PVC WHITE#630 T0.15MM.
20.24=ML AE9V (PEARL)

Edge

01.255=1 RHODES AP7
01.47=1 WHITE

K100L-160131166

K113-160134022

K126R-160131546

K102L-160131186

K114L-160129206

K127L-160134193

K102R-160123111

K117L-160123170

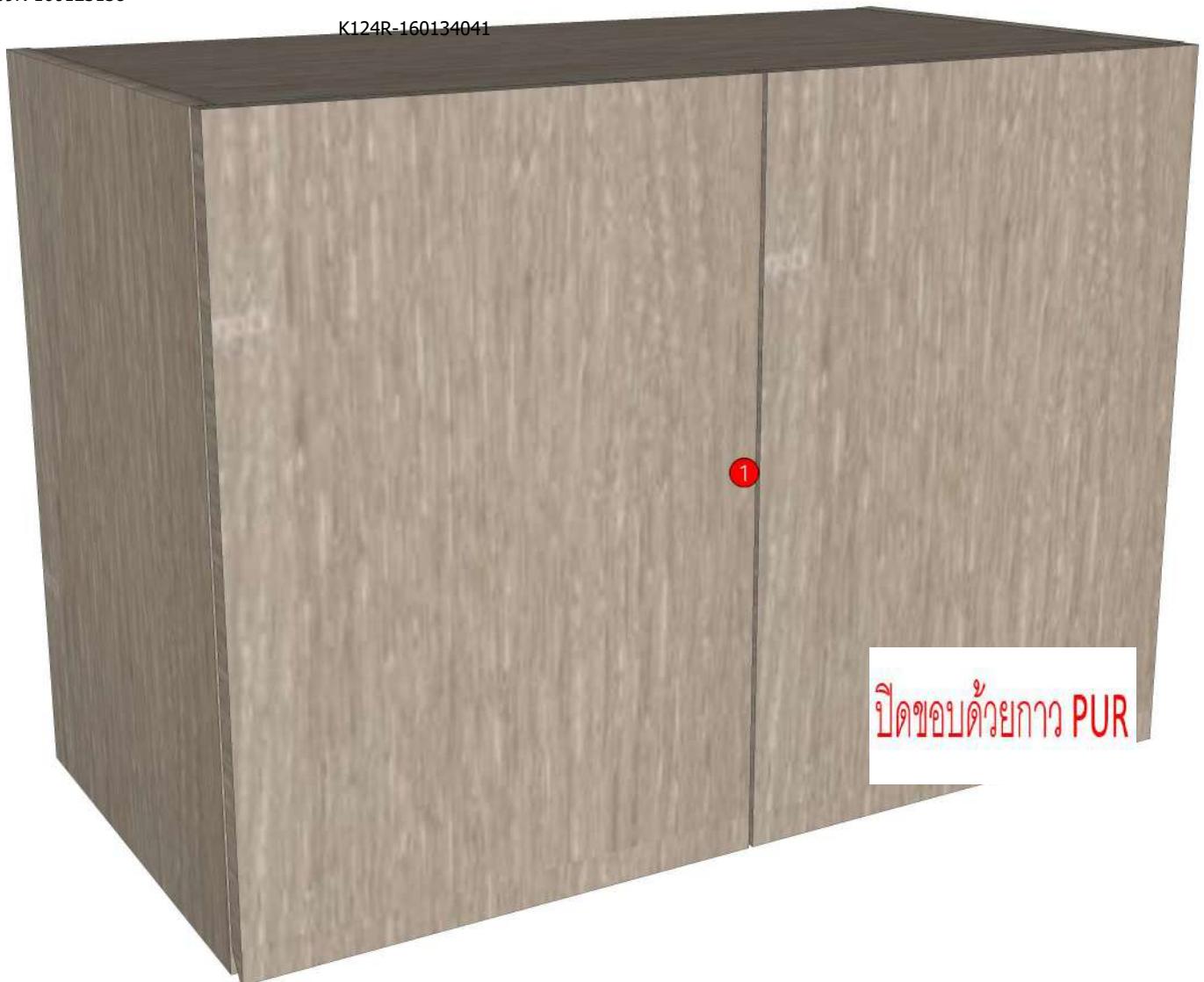
K108L-160123120

K108R-160123129

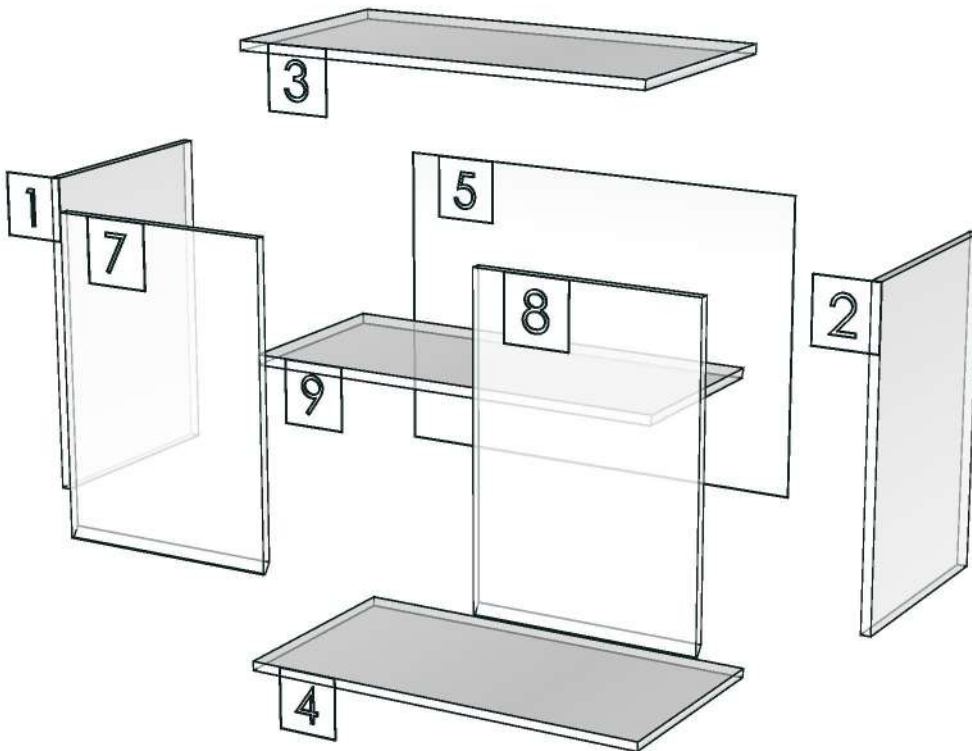
K109R-160123138

K124R-160134041

R&D REVIEW	
<input checked="" type="checkbox"/>	DWG.Customer
<input checked="" type="checkbox"/>	Work Report
<input type="checkbox"/>	Function
<input type="checkbox"/>	สินค้าตรงตัวอย่าง
ผู้ทบทวน P.SAWAI	
22/06/2023	



Model	-REFERENCE_DW70		
Creator		.BCP Name	INDEX_C3D_KITCHEN2
Reviewer		Order	I002382
Approves		Date	



Model	REFERENCE_DL69		
Creator	PASATHORN	.BCP Name	INDEX_C3D_KITCHEN2
Reviewer		Order	I002703
Approves	P.SAWAI	Date	17/10/2023

REFERENCE_DL69-690X350X800

Colour

02.43=FOIL AP7 AQ-152-12KBWG (AQ PAPER)

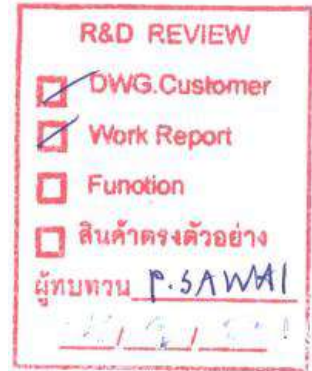
03.13=PVC WHITE#630 T0.15MM.

20.24=ML AE9V (PEARL)

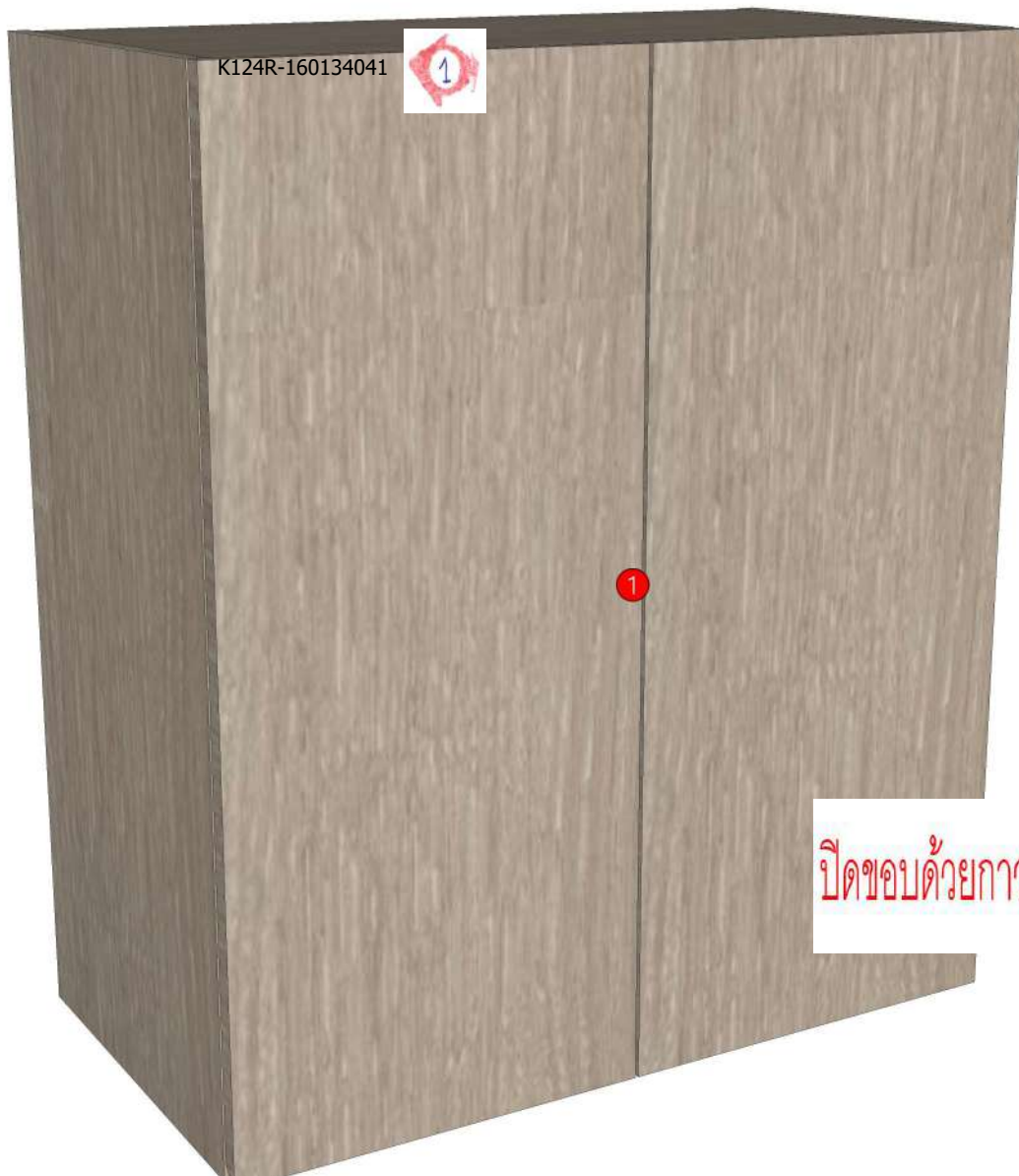
Edge

01.255=1 RHODES AP7

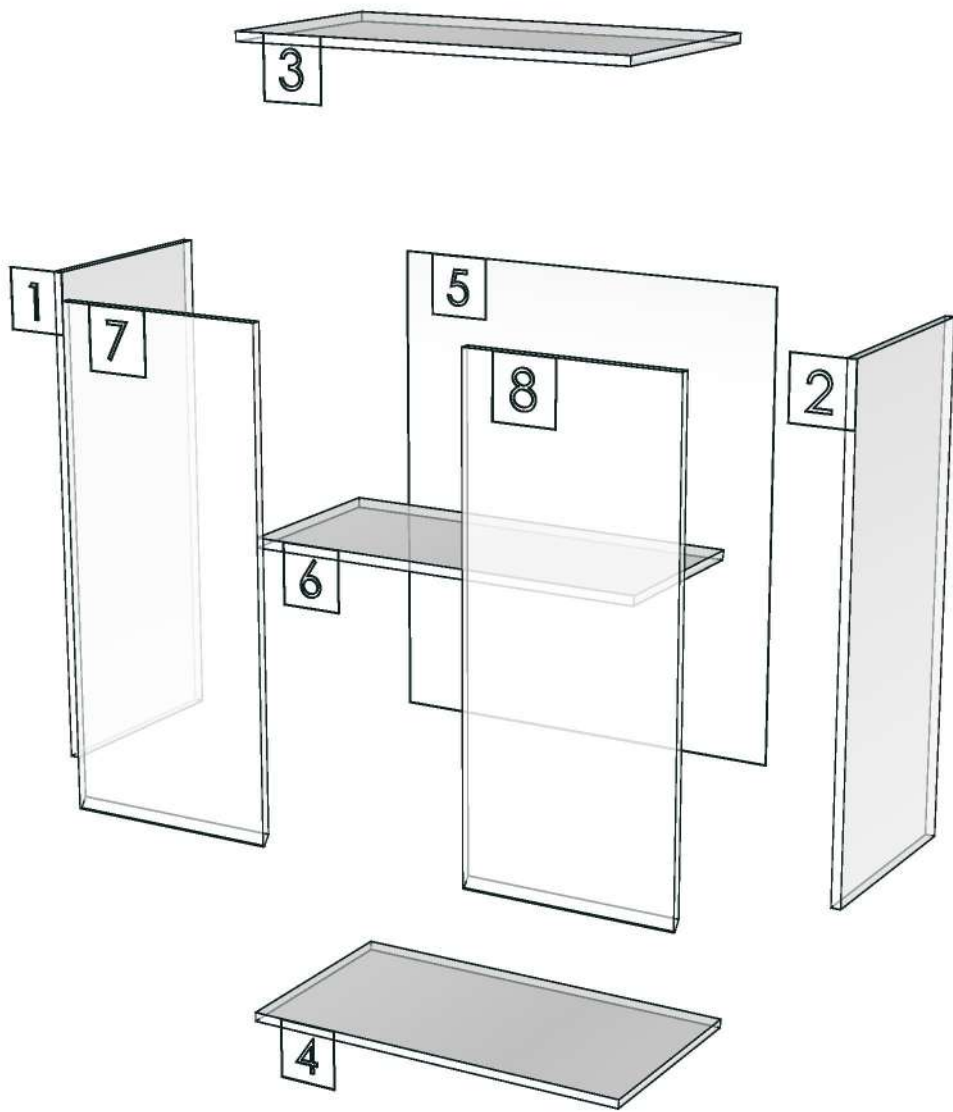
01.47=1 WHITE



K114L-160129206



Model	-REFERENCE_DL69		
Creator		.BCP Name	INDEX_C3D_KITCHEN2
Reviewer		Order	I002703
Approves		Date	



Model	REFERENCE_DL60HR		
Creator	PASATHORN	.BCP Name	INDEX_C3D_KITCHEN2
Reviewer		Order	I002384
Approves	P.SAWAI	Date	22/06/2023

REFERENCE_DL60HR-600X350X755

Colour

02.43=FOIL AP7 AQ-152-12KBWG (AQ PAPER)
03.13=PVC WHITE#630 T0.15MM.
20.24=ML AE9V (PEARL)

Edge

01.255=1 RHODES AP7
01.47=1 WHITE

R&D REVIEW	
<input checked="" type="checkbox"/>	DWG.Customer
<input checked="" type="checkbox"/>	Work Report
<input type="checkbox"/>	Function
<input type="checkbox"/>	สินค้าตรงตัวอย่าง
ผู้ทบทวน P.SAWAI	

K109R-160123138

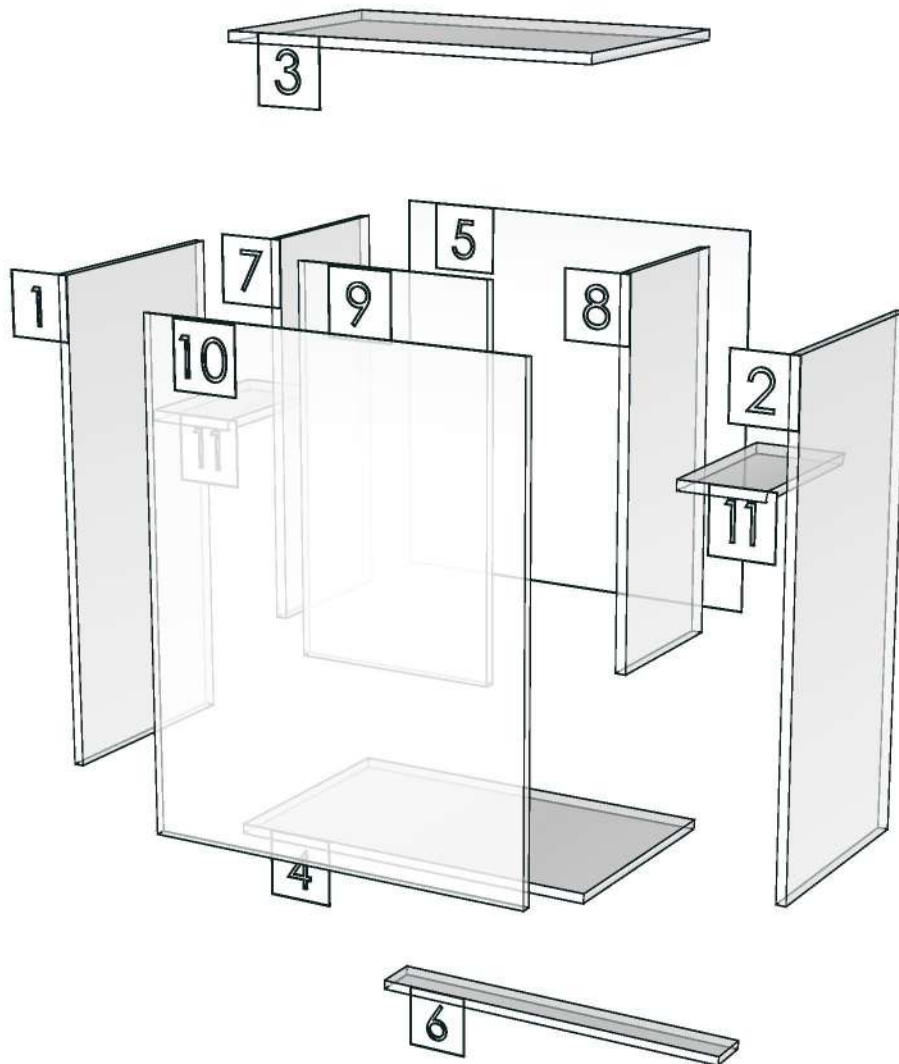
K124R-160134041

K126R-160131546



ปิดขอบด้วยกาว PUR

Model	-REFERENCE_DL60HR		
Creator		.BCP Name	INDEX_C3D_KITCHEN2
Reviewer		Order	I002384
Approves		Date	



Model	REFERENCE_DT50RS		
Creator	PASATHORN	.BCP Name	INDEX_C3D_KITCHEN2
Reviewer		Order	I002775
Approves	P.SAWAI	Date	14/11/2023

REFERENCE_DT50RS-500X450X2300

Colour

02.43=FOIL AP7 AQ-152-12KBWG (AQ PAPER)
03.13=PVC WHITE#630 T0.15MM.
20.24=ML AE9V (PEARL)

Edge

01.255=1 RHODES AP7
01.47=1 WHITE

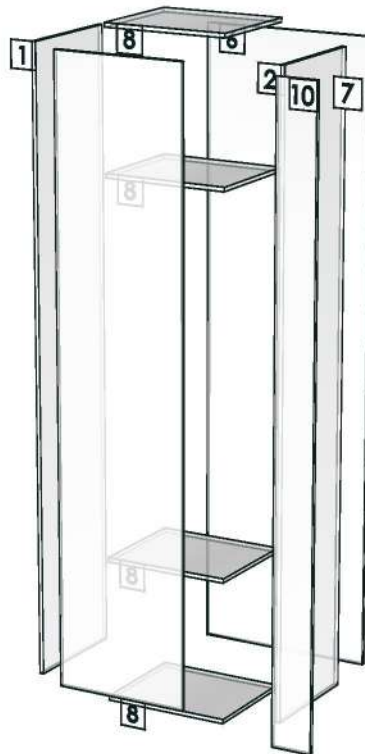
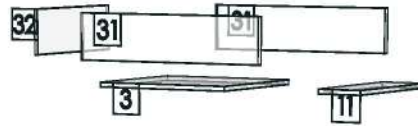
R&D REVIEW	
<input checked="" type="checkbox"/>	DWG.Customer
<input checked="" type="checkbox"/>	Work Report
<input type="checkbox"/>	Function
<input type="checkbox"/>	สินค้าตรงตัวอย่าง
ผู้ทบทวน P.SAWAI	
25/11/23	

K124R-160134041



ปิดขอบด้วยกาว PUR

Model	-REFERENCE_DT50RS		
Creator		.BCP Name	INDEX_C3D_KITCHEN2
Reviewer		Order	I002775
Approves		Date	



Model	REFERENCE_D_BOX1400		
Creator	PASATHORN	.BCP Name	INDEX_C3D_KITCHEN2
Reviewer		Order	I002718
Approves	P.SAWAI	Date	23/10/2023

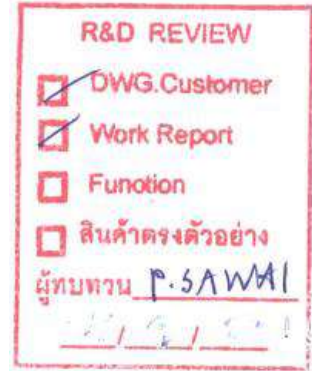
REFERENCE_D_BOX1400-1400X200X1500

Colour

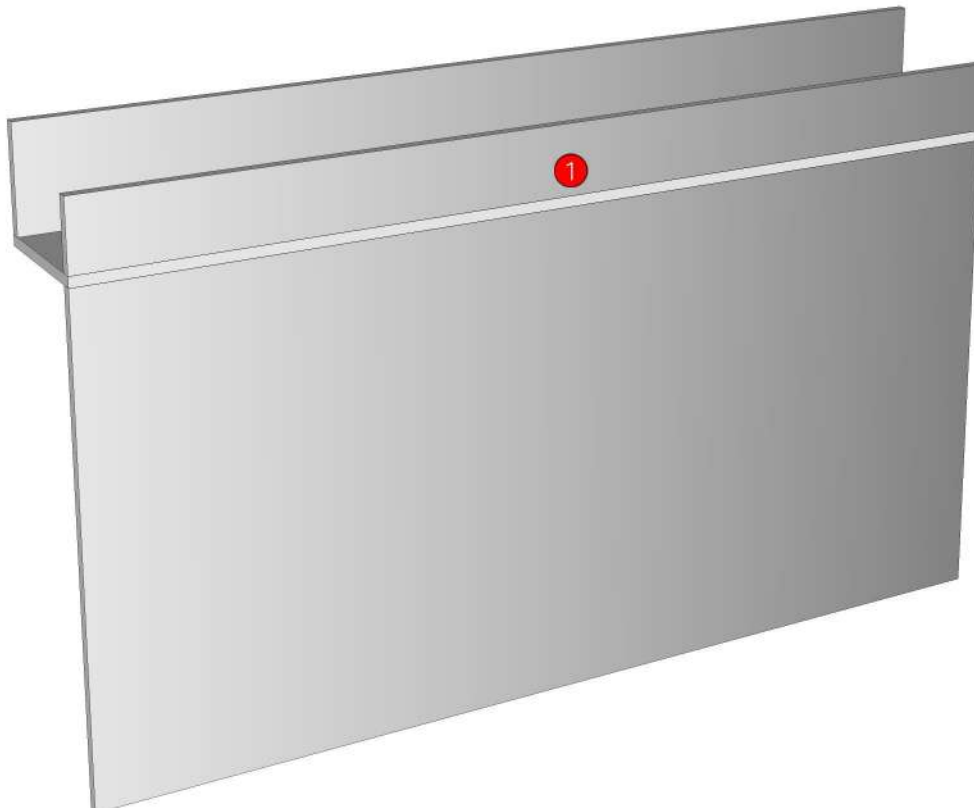
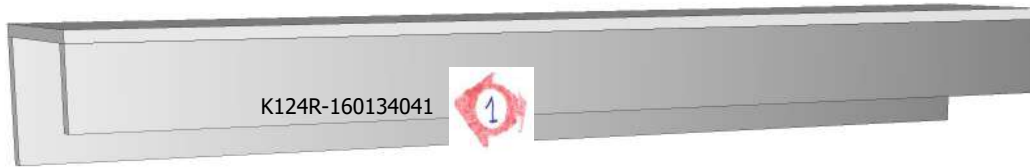
02.56=PAPER FOIL 60GMS.WHITE PEARL #VC-70146-MB-60G

Edge

01.47=1 WHITE



K114L-160129206



Model	REFERENCE_DEP1950		
Creator	PASATHORN	.BCP Name	INDEX_C3D_KITCHEN2
Reviewer		Order	I002707
Approves	P.SAWAI	Date	18/10/2023

REFERENCE_DEP1950-1950X16X838

Colour

20.01=ML.MFI599_PEARL

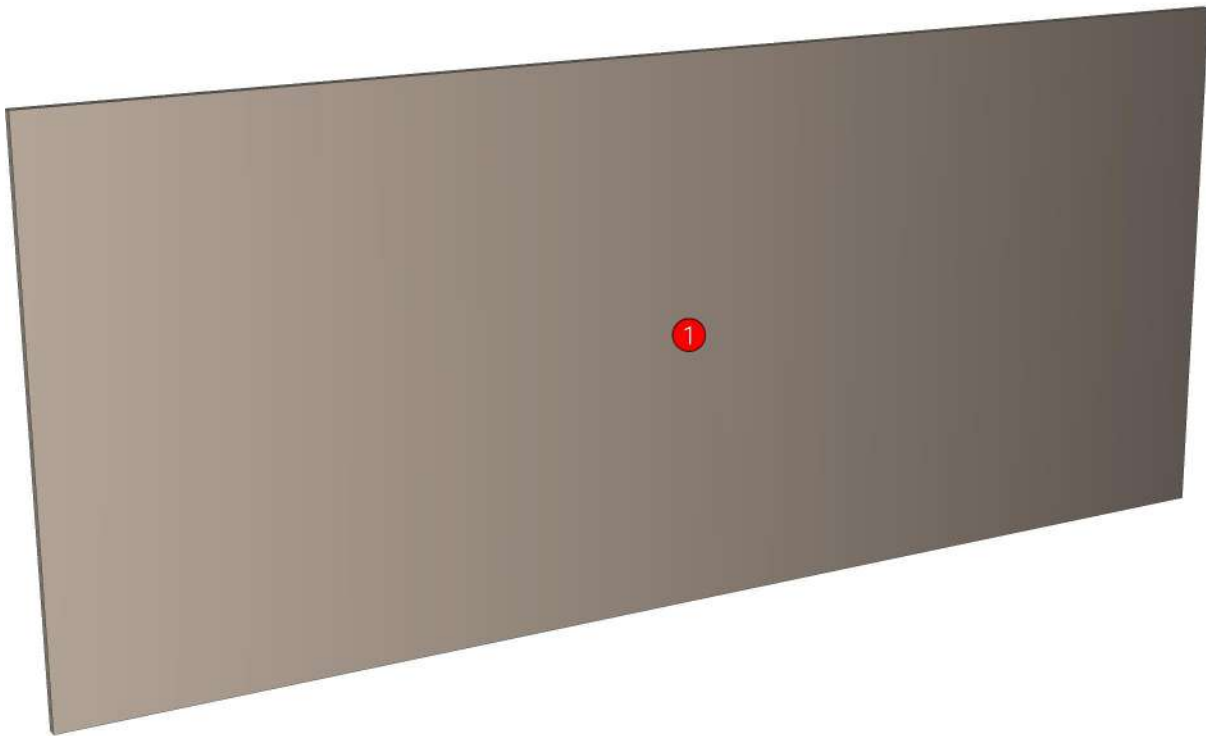
Edge

01.319=1 MFI599 PEARL

R&D REVIEW	
<input checked="" type="checkbox"/>	DWG.Customer
<input checked="" type="checkbox"/>	Work Report
<input type="checkbox"/>	Function
<input type="checkbox"/>	สินค้าตรงตัวอย่าง
ผู้ทบทวน P.SAWAI	
[Signature]	

K114L-160129206

K124R-160134041



Model	REFERENCE_DEP583		
Creator	PASATHORN	.BCP Name	INDEX_C3D_KITCHEN2
Reviewer		Order	I002706
Approves	P.SAWAI	Date	18/10/2023

REFERENCE_DEP583-583X16X888

Colour

20.01=ML.MFI599_PEARL

Edge

01.319=1 MFI599 PEARL

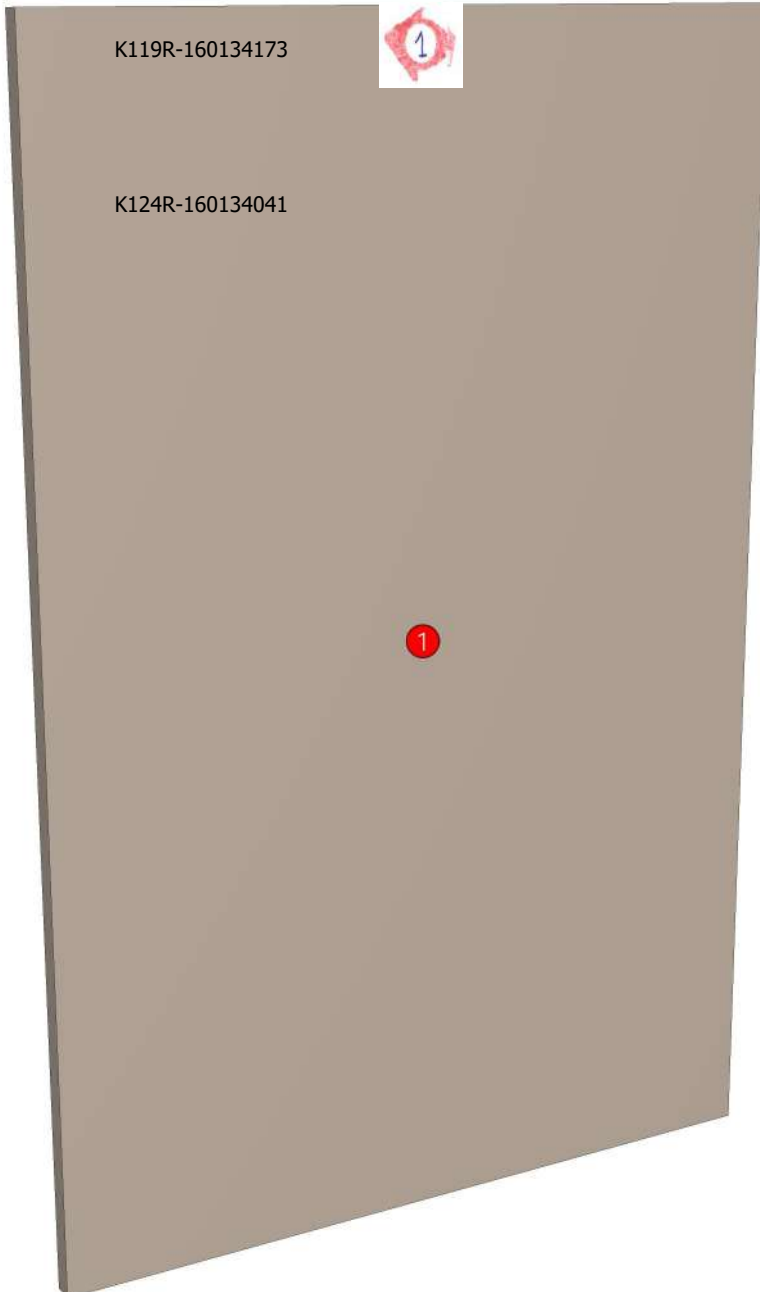
R&D REVIEW	
<input checked="" type="checkbox"/>	DWG.Customer
<input checked="" type="checkbox"/>	Work Report
<input type="checkbox"/>	Function
<input type="checkbox"/>	สินค้าตรงตัวอย่าง
ผู้ทบทวน P.SAWAI	
21/10/23	

K114L-160129206

K119R-160134173



K124R-160134041



Model	REFERENCE_DFB		
Creator	PASATHORN	.BCP Name	INDEX_C3D_KITCHEN2
Reviewer		Order	I002376
Approves	P.SAWAI	Date	21/06/2023

REFERENCE_DFB-150X15X838

Colour

02.43=FOIL AP7 AQ-152-12KBWG (AQ PAPER)

Edge

01.255=1 RHODES AP7

R&D REVIEW	
<input checked="" type="checkbox"/>	DWG.Customer
<input checked="" type="checkbox"/>	Work Report
<input type="checkbox"/>	Function
<input type="checkbox"/>	สินค้าตรงตัวอย่าง
ผู้ทบทวน <u>P.SAWAI</u>	
<u>21/6/23</u>	

K126R-160131546

K113-160134022

K114L-160129206

K117L-160123170

K118R-160131219

K119R-160134173

K122L-160123183

K123L-160123193

K109R-160123138

K123R-160123203

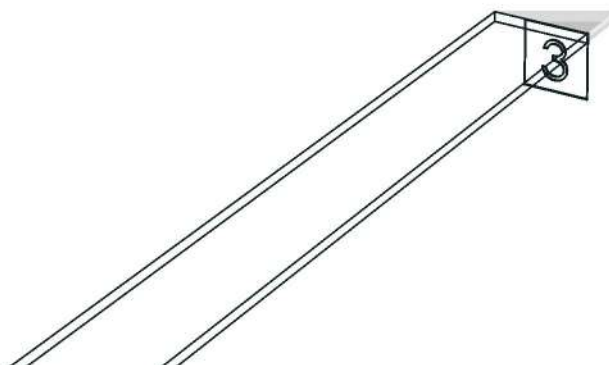
K110R-160123152

K124R-160134041



ปิดขอบด้วยกาว PUR

Model	-REFERENCE_DFB		
Creator		.BCP Name	INDEX_C3D_KITCHEN2
Reviewer		Order	I002376
Approves		Date	



Model	REFERENCE_DFL		
Creator	PASATHORN	.BCP Name	INDEX_C3D_KITCHEN2
Reviewer		Order	I002377
Approves	P.SAWAI	Date	21/06/2023

REFERENCE_DFL-150X15X800

Colour

02.43=FOIL AP7 AQ-152-12KBWG (AQ PAPER)

Edge

01.255=1 RHODES AP7

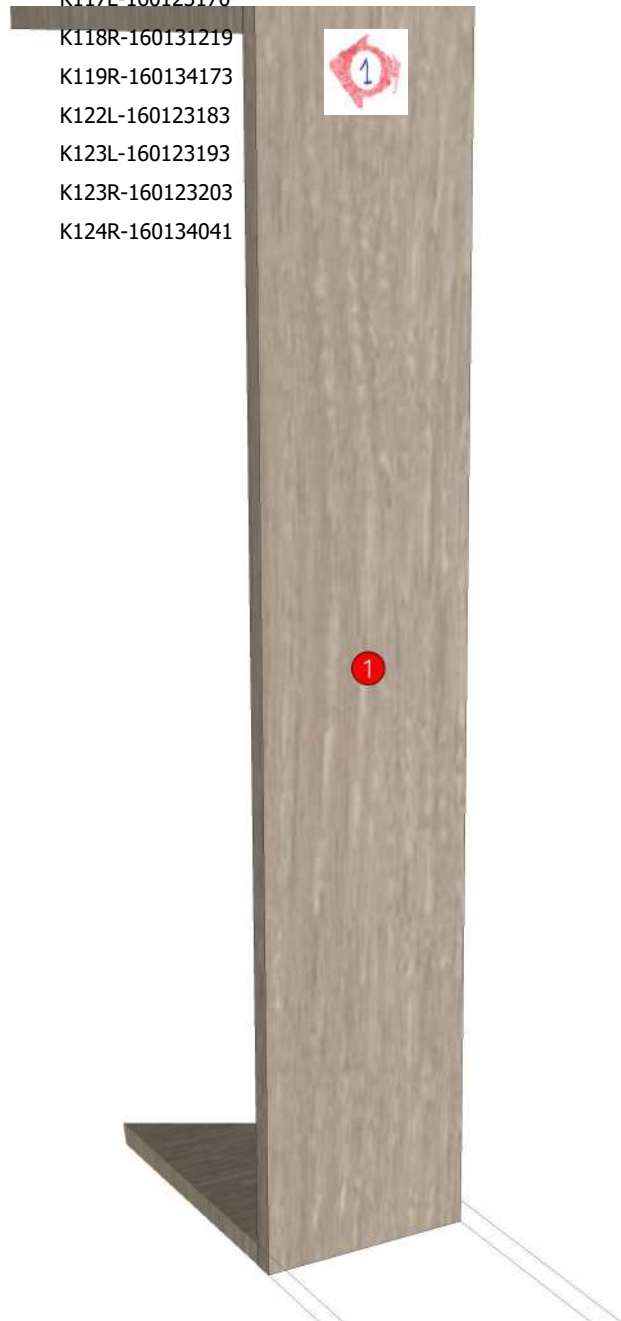
R&D REVIEW

- DWG.Customer
- Work Report
- Function
- สินค้าตรงตัวอย่าง

ผู้ทบทวน P.SAWAI

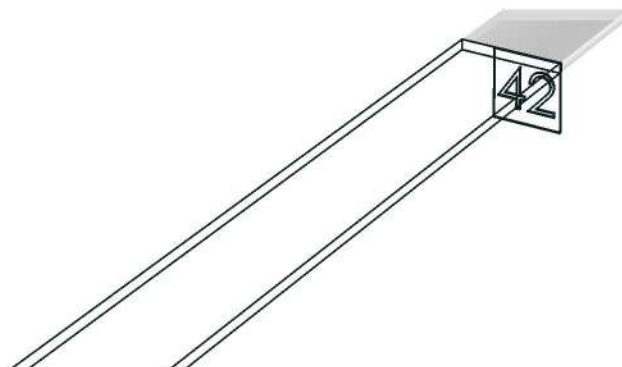
21/06/2023

- | | | |
|-----------------|-----------------|-----------------|
| K101L-160131176 | K112L-160123160 | K126R-160131546 |
| | K113-160134022 | |
| | K114L-160129206 | |
| | K117L-160123170 | |
| K103R-160131196 | K118R-160131219 | |
| | K119R-160134173 | |
| | K122L-160123183 | |
| | K123L-160123193 | |
| K109R-160123138 | K123R-160123203 | |
| K110R-160123152 | K124R-160134041 | |



ปิดขอบด้วยกาว PUR

Model	-REFERENCE_DFL		
Creator		.BCP Name	INDEX_C3D_KITCHEN2
Reviewer		Order	I002377
Approves		Date	



Model	REFERENCE_DF_CL2430		
Creator	PASATHORN	.BCP Name	INDEX_C3D_KITCHEN2
Reviewer		Order	I002696
Approves	P.SAWAI	Date	17/10/2023

REFERENCE_DF_CL2430-2430X12X150

Colour

02.43=FOIL AP7 AQ-152-12KBWG (AQ PAPER)

Edge

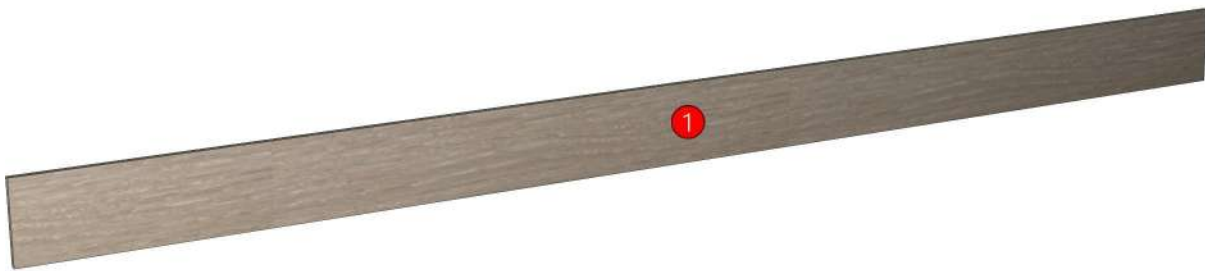
01.255=1 RHODES AP7

R&D REVIEW	
<input checked="" type="checkbox"/>	DWG.Customer
<input checked="" type="checkbox"/>	Work Report
<input type="checkbox"/>	Function
<input type="checkbox"/>	สินค้าตรงตัวอย่าง
ผู้ทบทวน P.SAWAI	
17/10/2023	

K114L-160129206

K103R-160131196

K124R-160134041



ปิดขอบด้วยกาว PUR

Model	REFERENCE_DF_CL1550		
Creator	PASATHORN	.BCP Name	INDEX_C3D_KITCHEN2
Reviewer		Order	I002371
Approves	P.SAWAI	Date	20/06/2023

REFERENCE_DF_CL1550-1550X12X150

Colour

02.43=FOIL AP7 AQ-152-12KBWG (AQ PAPER)

Edge

01.255=1 RHODES AP7

R&D REVIEW	
<input checked="" type="checkbox"/>	DWG.Customer
<input checked="" type="checkbox"/>	Work Report
<input type="checkbox"/>	Function
<input type="checkbox"/>	สินค้าตรงตัวอย่าง
ผู้ทบทวน P.SAWAI	
_____/_____/____!	

K113-160134022

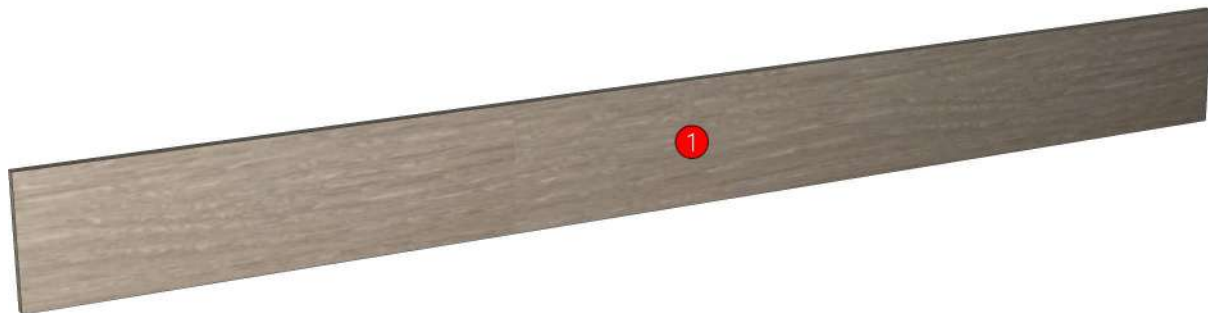
K114L-160129206

K117L-160123170



K124R-160134041

K110R-160123152



ปิดขอบด้วยกาว PUR

Model	REFERENCE_DF_CL350		
Creator	PASATHORN	.BCP Name	INDEX_C3D_KITCHEN2
Reviewer		Order	I002367
Approves	P.SAWAI	Date	20/06/2023

REFERENCE_DF_CL350-350X12X150

Colour

02.43=FOIL AP7 AQ-152-12KBWG (AQ PAPER)

Edge

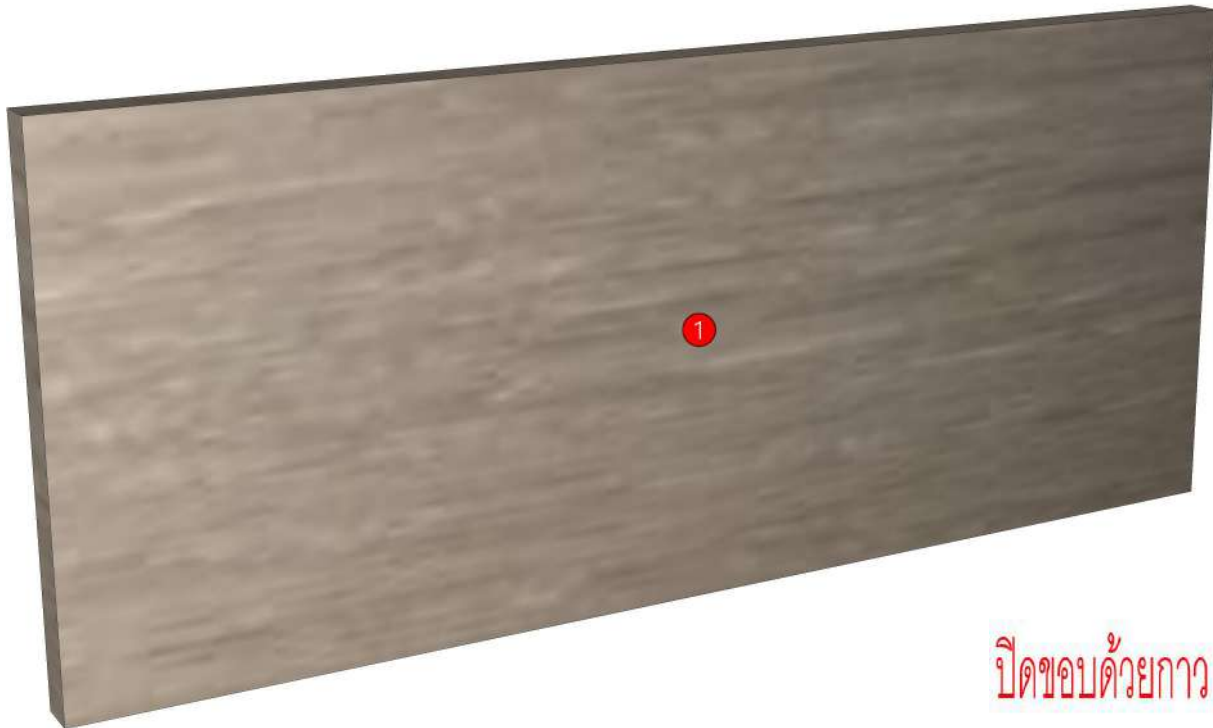
01.255=1 RHODES AP7

K100L-160131166
K101L-160131176
K102L-160131186
K102R-160123111
K103R-160131196
K105R-160131209
K108L-160123120
K108R-160123129
K109R-160123138
K110R-160123152

K112L-160123160
K113-160134022
K114L-160129206
K117L-160123170
K118R-160131219
K119R-160134173
K122L-160123183
K123L-160123193
K123R-160123203
K124R-160134041

K126R-160131546
K127L-160134193

R&D REVIEW	
<input checked="" type="checkbox"/>	DWG.Customer
<input checked="" type="checkbox"/>	Work Report
<input type="checkbox"/>	Function
<input type="checkbox"/>	สินค้าตรงตัวอย่าง
ผู้ทบทวน P.SAWAI	



ปิดขอบด้วยกาว PUR

Model	REFERENCE_D_PLT1950		
Creator	PASATHORN	.BCP Name	INDEX_C3D_KITCHEN2
Reviewer		Order	I002699
Approves	P.SAWAI	Date	17/10/2023

REFERENCE_D_PLT1950-1950X12X100

Colour

02.43=FOIL AP7 AQ-152-12KBWG (AQ PAPER)

Edge

01.255=1 RHODES AP7

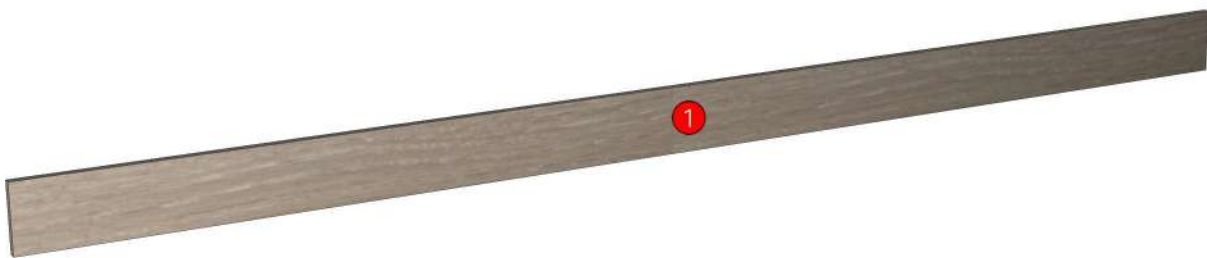
R&D REVIEW	
<input checked="" type="checkbox"/>	DWG.Customer
<input checked="" type="checkbox"/>	Work Report
<input type="checkbox"/>	Function
<input type="checkbox"/>	สินค้าตรงตัวอย่าง
ผู้ทบทวน P.SAWAI	
17/10/2023	

K114L-160129206

K119R-160134173



K124R-160134041



ปิดขอบด้วยกาว PUR

Model	-REFERENCE_D_PLT1950		
Creator		.BCP Name	INDEX_C3D_KITCHEN2
Reviewer		Order	I002699
Approves		Date	



Model	REFERENCE_D_PLT1650		
Creator	PASATHORN	.BCP Name	INDEX_C3D_KITCHEN2
Reviewer		Order	I002698
Approves	P.SAWAI	Date	17/10/2023

REFERENCE_D_PLT1650-1650X12X100

Colour

02.43=FOIL AP7 AQ-152-12KBWG (AQ PAPER)

Edge

01.255=1 RHODES AP7

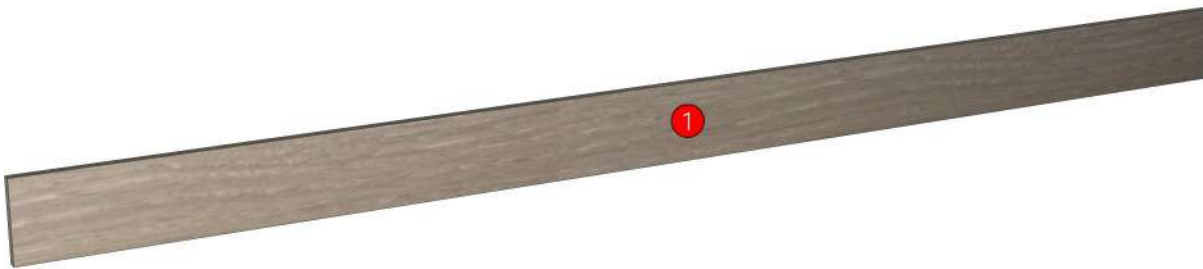
R&D REVIEW	
<input checked="" type="checkbox"/>	DWG.Customer
<input checked="" type="checkbox"/>	Work Report
<input type="checkbox"/>	Function
<input type="checkbox"/>	สินค้าตรงตัวอย่าง
ผู้ทบทวน P.SAWAI	
17/10/2023	

K113-160134022

K114L-160129206



K124R-160134041



ปิดขอบด้วยกาว PUR

Model	REFERENCE_D_PLT1550		
Creator	PASATHORN	.BCP Name	INDEX_C3D_KITCHEN2
Reviewer		Order	I002366
Approves	P.SAWAI	Date	20/06/2023

REFERENCE_D_PLT1550-1550X12X100

Colour

02.43=FOIL AP7 AQ-152-12KBWG (AQ PAPER)

Edge

01.255=1 RHODES AP7

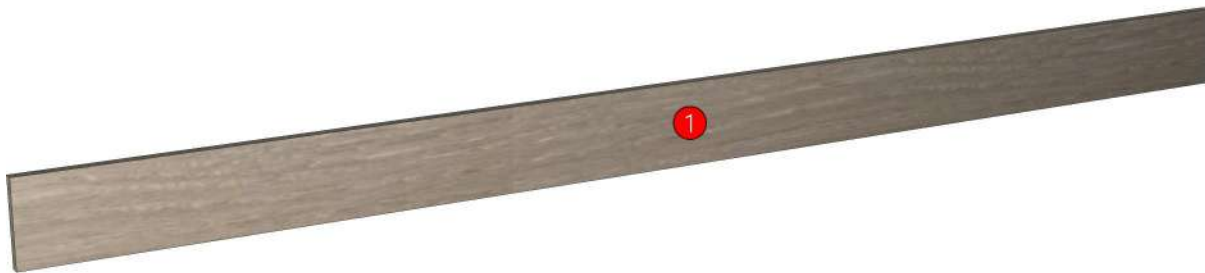
R&D REVIEW	
<input checked="" type="checkbox"/>	DWG.Customer
<input checked="" type="checkbox"/>	Work Report
<input type="checkbox"/>	Function
<input type="checkbox"/>	สินค้าตรงตัวอย่าง
ผู้ทบทวน P.SAWAI	
_____/_____/____!	

K114L-160129206

K124R-160134041



K110R-160123152



ปิดขอบด้วยกาว PUR

Model	REFERENCE_D_PLT1050		
Creator	PASATHORN	.BCP Name	INDEX_C3D_KITCHEN2
Reviewer		Order	I002697
Approves	P.SAWAI	Date	17/10/2023

REFERENCE_D_PLT1050-1050X12X100

Colour

02.43=FOIL AP7 AQ-152-12KBWG (AQ PAPER)

Edge

01.255=1 RHODES AP7

R&D REVIEW	
<input checked="" type="checkbox"/>	DWG.Customer
<input checked="" type="checkbox"/>	Work Report
<input type="checkbox"/>	Function
<input type="checkbox"/>	สินค้าตรงตัวอย่าง
ผู้ทบทวน P.SAWAI	
17/10/2023	

K113-160134022
K114L-160129206



K124R-160134041



ปิดขอบด้วยกาว PUR

Model	REFERENCE_D_PLT520		
Creator	PASATHORN	.BCP Name	INDEX_C3D_KITCHEN2
Reviewer		Order	I002695
Approves	P.SAWAI	Date	16/10/2023

REFERENCE_D_PLT520-520X12X100

Colour

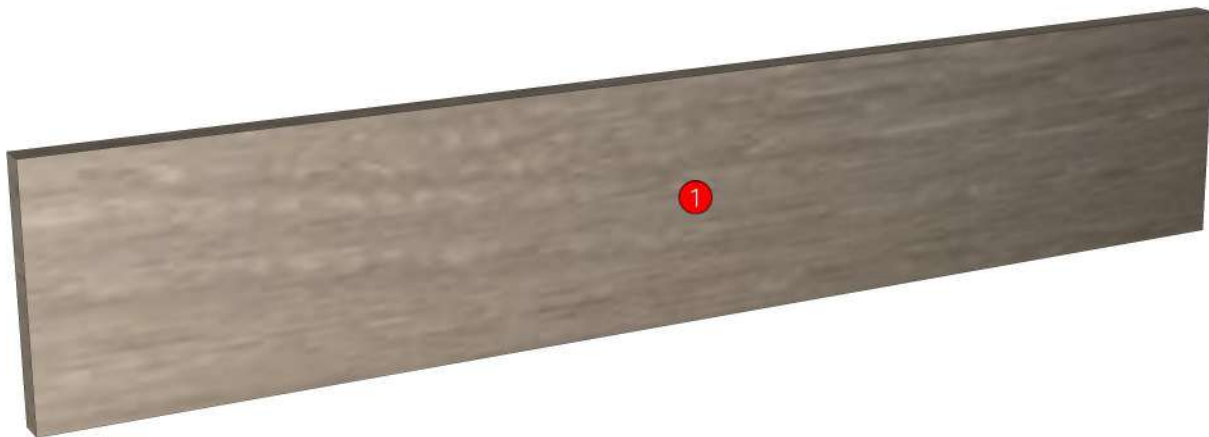
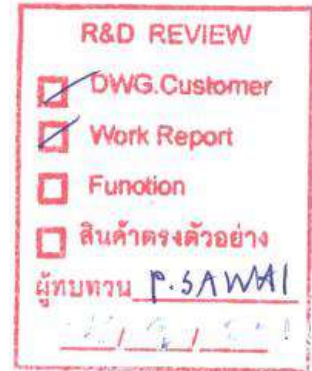
02.43=FOIL AP7 AQ-152-12KBWG (AQ PAPER)

Edge

01.255=1 RHODES AP7

K113-160134022

K124R-160134041



ปิดขอบด้วยกาว PUR

Model	REFERENCE_D_PLT600		
Creator	PASATHORN	.BCP Name	INDEX_C3D_KITCHEN2
Reviewer		Order	I002357
Approves	P.SAWAI	Date	16/06/2023

REFERENCE_D_PLT600-600X12X100

Colour

02.43=FOIL AP7 AQ-152-12KBWG (AQ PAPER)

Edge

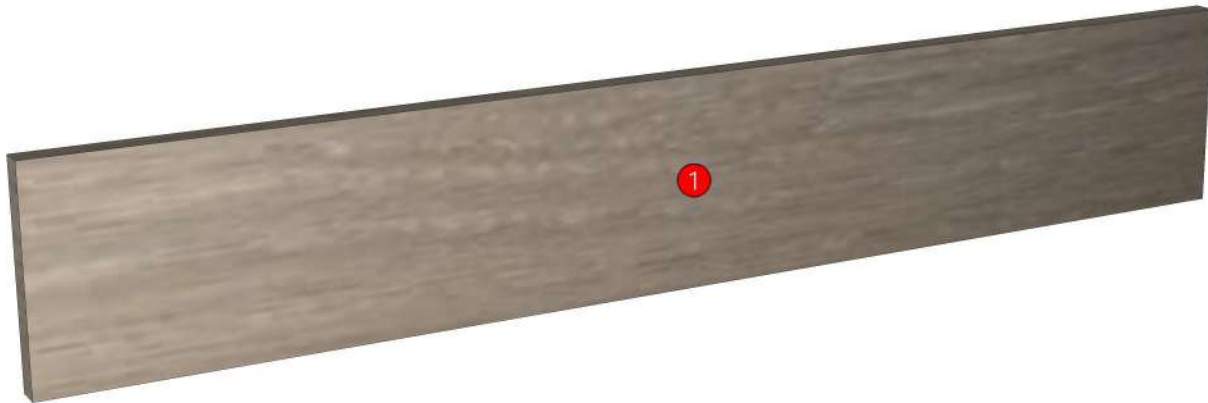
01.255=1 RHODES AP7

K100L-160131166
K101L-160131176
K102L-160131186
K102R-160123111
K103R-160131196
K105R-160131209
K108L-160123120
K108R-160123129
K109R-160123138
K110R-160123152

K112L-160123160
K113-160134022
K114L-160129206
K117L-160123170
K118R-160131219
K119R-160134173
K122L-160123183
K123L-160123193
K123R-160123203
K124R-160134041

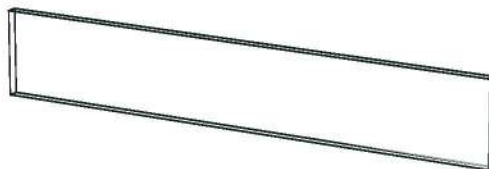
K126R-160131546
K127L-160134193

R&D REVIEW	
<input checked="" type="checkbox"/>	DWG.Customer
<input checked="" type="checkbox"/>	Work Report
<input type="checkbox"/>	Function
<input type="checkbox"/>	สินค้าตรงตัวอย่าง
ผู้ทบทวน P.SAWAI	
16/06/2023	



ปิดขอบด้วยกาว PUR

Model	-REFERENCE_D_PLT600		
Creator		.BCP Name	INDEX_C3D_KITCHEN2
Reviewer		Order	I002357
Approves		Date	



Model	REFERENCE_DDM1750		
Creator	PASATHORN	.BCP Name	INDEX_C3D_KITCHEN2
Reviewer		Order	I002701
Approves	P.SAWAI	Date	17/10/2023

REFERENCE_DDM1750-1750X6X550

Colour

03.13=PVC WHITE#630 T0.15MM.

Edge

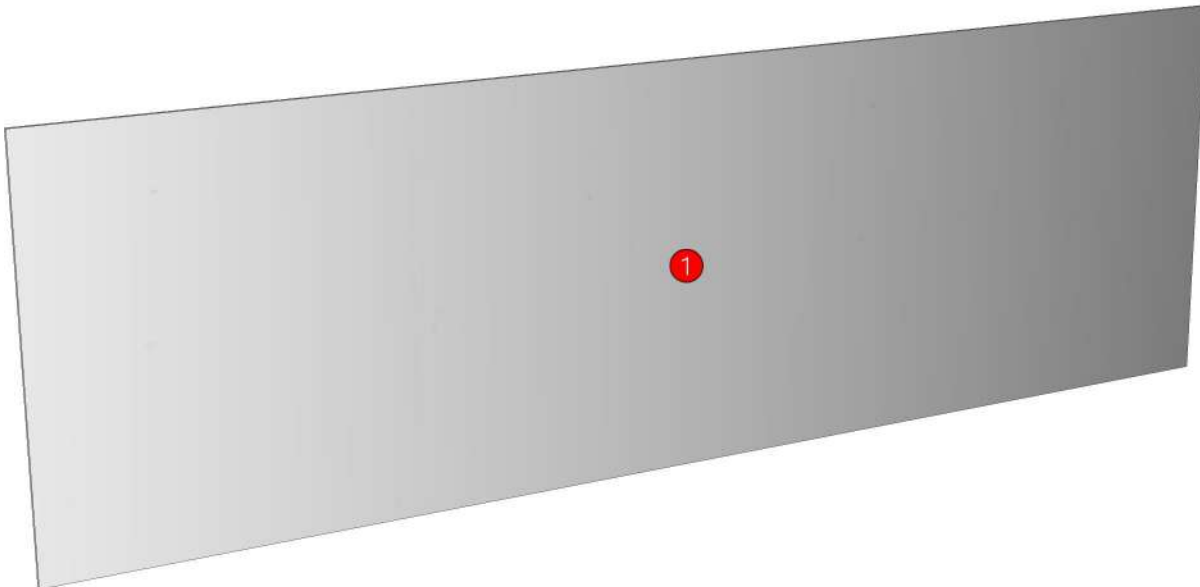
=

R&D REVIEW	
<input checked="" type="checkbox"/>	DWG.Customer
<input checked="" type="checkbox"/>	Work Report
<input type="checkbox"/>	Function
<input type="checkbox"/>	สินค้าตรงตัวอย่าง
ผู้ทบทวน P.SAWAI	
17/10/2023	

K114L-160129206

K118R-160131219

K124R-160134041



Model	REFERENCE_DDM1450		
Creator	PASATHORN	.BCP Name	INDEX_C3D_KITCHEN2
Reviewer		Order	I002700
Approves	P.SAWAI	Date	17/10/2023

REFERENCE_DDM1450-1450X6X550

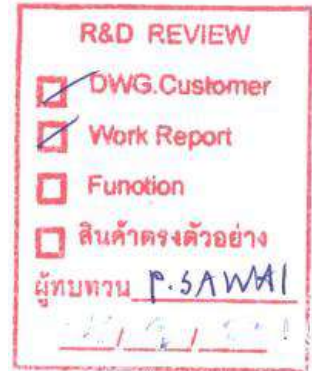
Colour

03.13=PVC WHITE#630 T0.15MM.

Edge

=

K114L-160129206



K124R-160134041

