

Model	REFERENCE_DB20LGS		
Creator	PASATHORN	.BCP Name	INDEX_C3D_KITCHEN2
Reviewer		Order	I002816
Approves	P.SAWAI	Date	13/12/2023

REFERENCE_DB20LGS-200X570X888

Colour

02.43=FOIL AP7 AQ-152-12KBWG (AQ PAPER)

20.24=ML AE9V (PEARL)

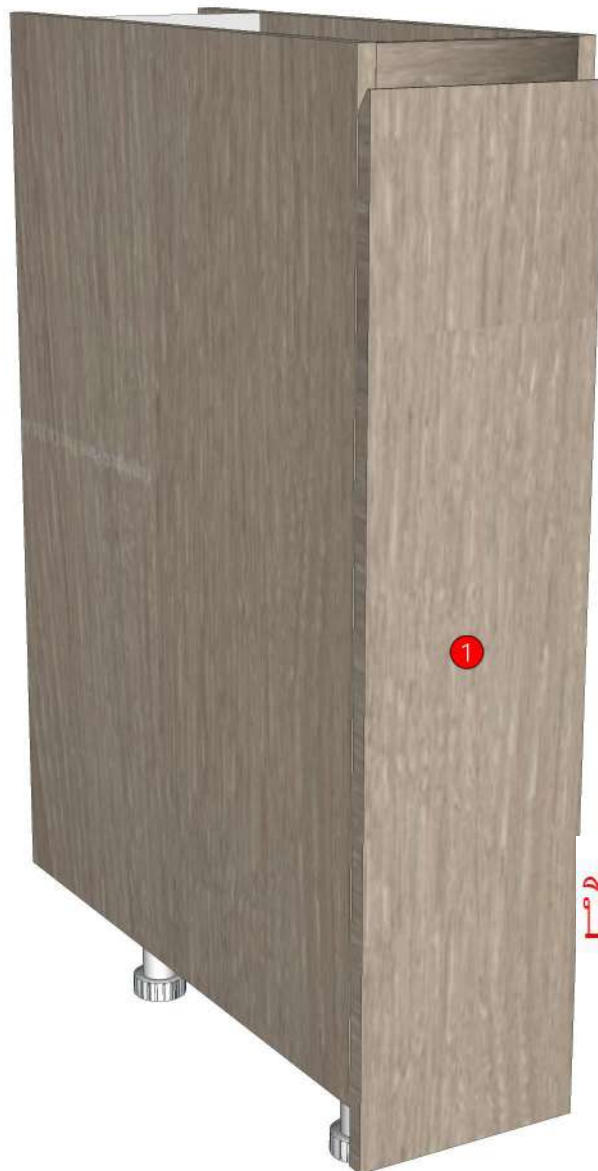
Edge

01.255=1 RHODES AP7

01.47=1 WHITE

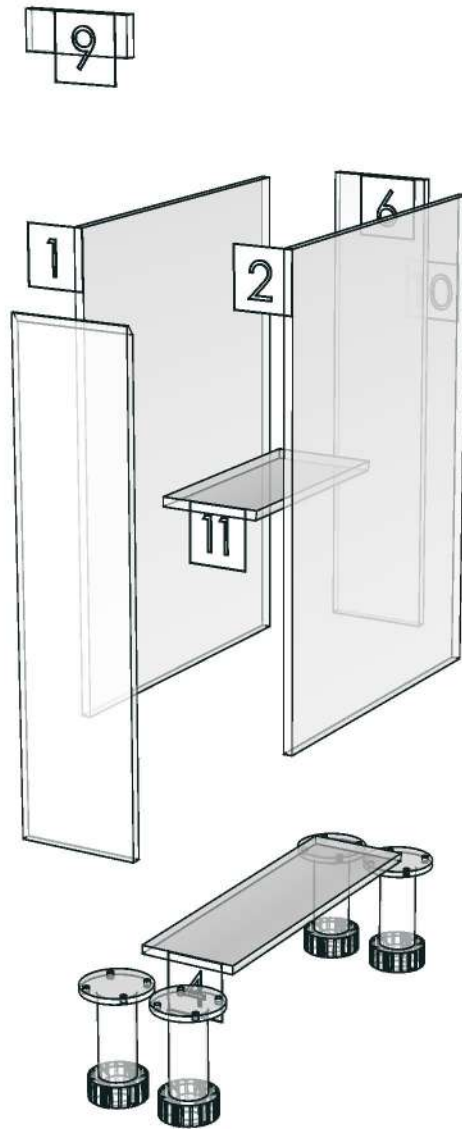
K113-160134022

R&D REVIEW	
<input checked="" type="checkbox"/>	DWG.Customer
<input checked="" type="checkbox"/>	Work Report
<input type="checkbox"/>	Function
<input type="checkbox"/>	สินค้าตรงตัวอย่าง
ผู้ทบทวน P.SAWAI	
13/12/2023	



ปิดขอบด้วยกาว PUR

Model	-REFERENCE_DB20LGS		
Creator		.BCP Name	INDEX_C3D_KITCHEN2
Reviewer		Order	I002816
Approves		Date	



Model	REFERENCE_DBO666R		
Creator	PASATHORN	.BCP Name	INDEX_C3D_KITCHEN2
Reviewer		Order	I002763
Approves	P.SAWAI	Date	13/11/2023

REFERENCE_DBO666R-666X600X888

Colour

02.43=FOIL AP7 AQ-152-12KBWG (AQ PAPER)

Edge

01.255=1 RHODES AP7

R&D REVIEW	
<input checked="" type="checkbox"/>	DWG.Customer
<input checked="" type="checkbox"/>	Work Report
<input type="checkbox"/>	Function
<input type="checkbox"/>	สินค้าตรงตัวอย่าง
ผู้ทบทวน P.SAWAI	
13/11/2023	

K113-160134022



K118R-160131219



Model	-REFERENCE_DBO666R		
Creator		.BCP Name	INDEX_C3D_KITCHEN2
Reviewer		Order	I002763
Approves		Date	



Model	REFERENCE_DBH652		
Creator	PASATHORN	.BCP Name	INDEX_C3D_KITCHEN2
Reviewer		Order	I002713
Approves	P.SAWAI	Date	19/10/2023

REFERENCE_DBH652-650X570X888

Colour

02.43=FOIL AP7 AQ-152-12KBWG (AQ PAPER)
02.56=PAPER FOIL 60GMS.WHITE PEARL #VC-70146-MB-60G
20.07=ML AE9V (MATT)
03.13=PVC WHITE#630 T0.15MM.

Edge

01.255=1 RHODES AP7
01.47=1 WHITE

K113-160134022
K114L-160129206



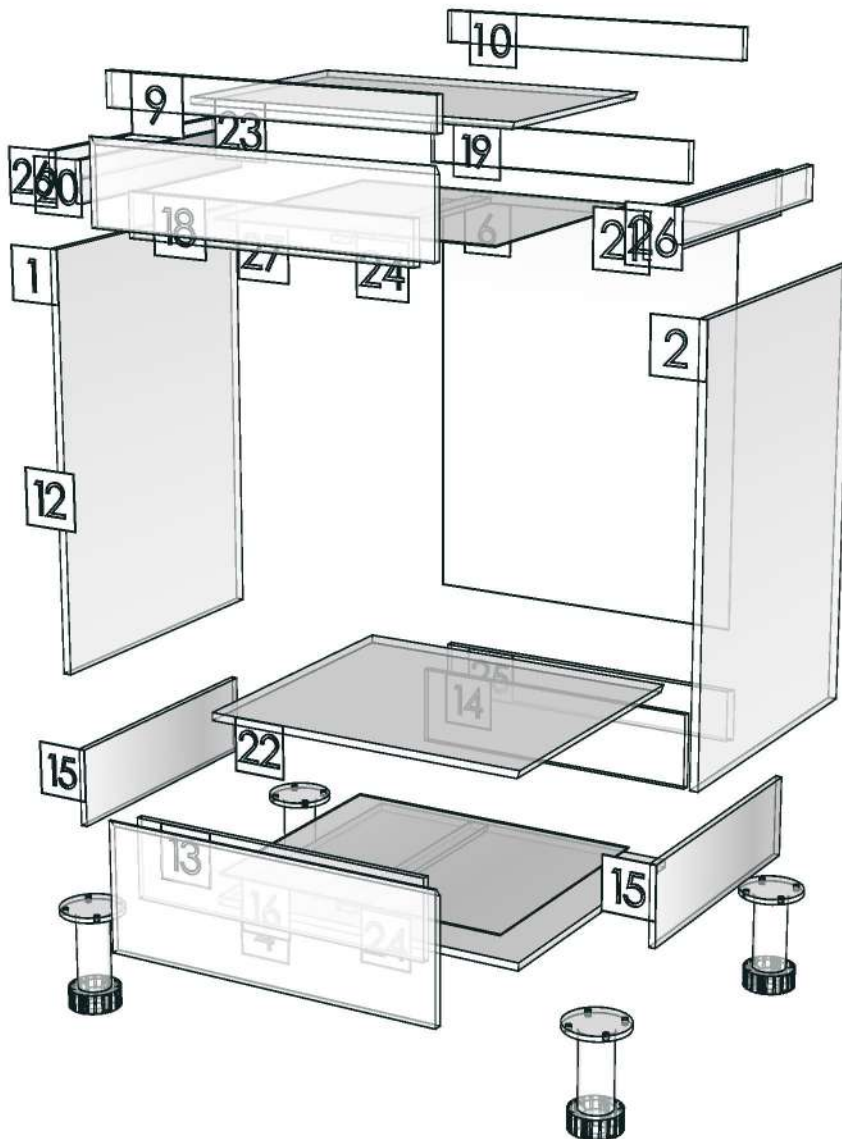
R&D REVIEW	
<input checked="" type="checkbox"/>	DWG.Customer
<input checked="" type="checkbox"/>	Work Report
<input type="checkbox"/>	Function
<input type="checkbox"/>	สินค้าตรงตัวอย่าง
ผู้ทบทวน P.SAWAI	



ปิดขอบด้วยกาว PUR

Model	-REFERENCE_DBH652		
Creator		.BCP Name	INDEX_C3D_KITCHEN2
Reviewer		Order	I002713
Approves		Date	

17



Model	REFERENCE_DBD353		
Creator	PASATHORN	.BCP Name	INDEX_C3D_KITCHEN2
Reviewer		Order	I002809
Approves	P.SAWAI	Date	12/12/2023

REFERENCE_DBD353-350X570X888

Colour

02.43=FOIL AP7 AQ-152-12KBWG (AQ PAPER)
02.56=PAPER FOIL 60GMS.WHITE PEARL #VC-70146-MB-60G
03.13=PVC WHITE#630 T0.15MM.

Edge

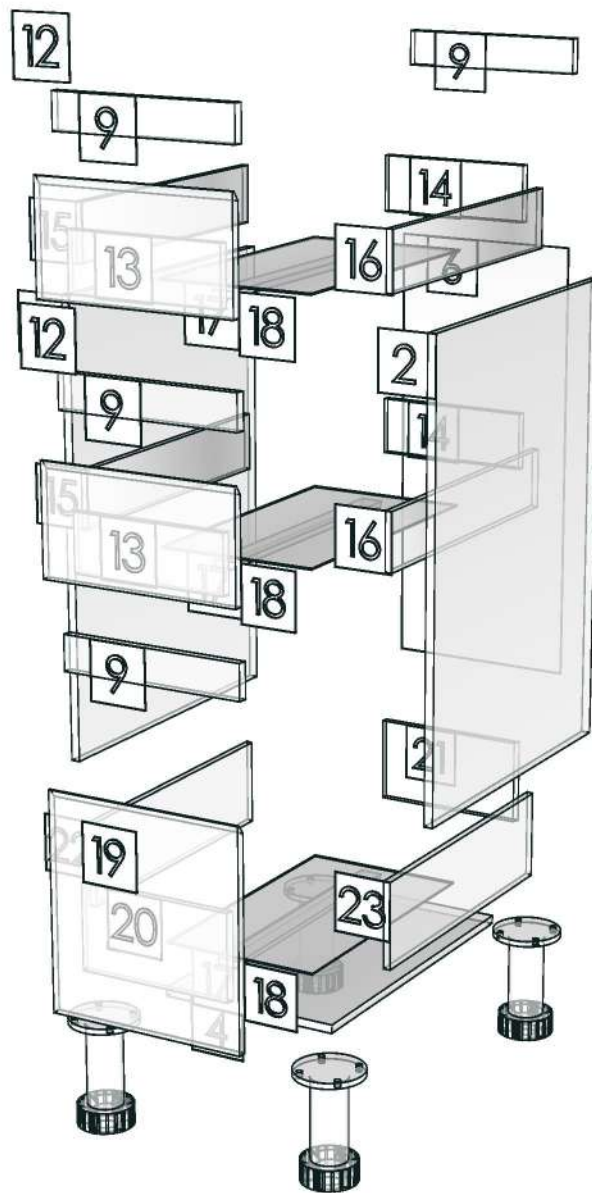
01.255=1 RHODES AP7
01.47=1 WHITE

K113-160134022



ปิดขอบด้วยกาว PUR

Model	-REFERENCE_DBD353		
Creator		.BCP Name	INDEX_C3D_KITCHEN2
Reviewer		Order	I002809
Approves		Date	



Model	REFERENCE_DBS75		
Creator	PASATHORN	.BCP Name	INDEX_C3D_KITCHEN2
Reviewer		Order	I002767
Approves	P.SAWAI	Date	13/11/2023

REFERENCE_DBS75-750X570X888

Colour

02.43=FOIL AP7 AQ-152-12KBWG (AQ PAPER)

03.13=PVC WHITE#630 T0.15MM.

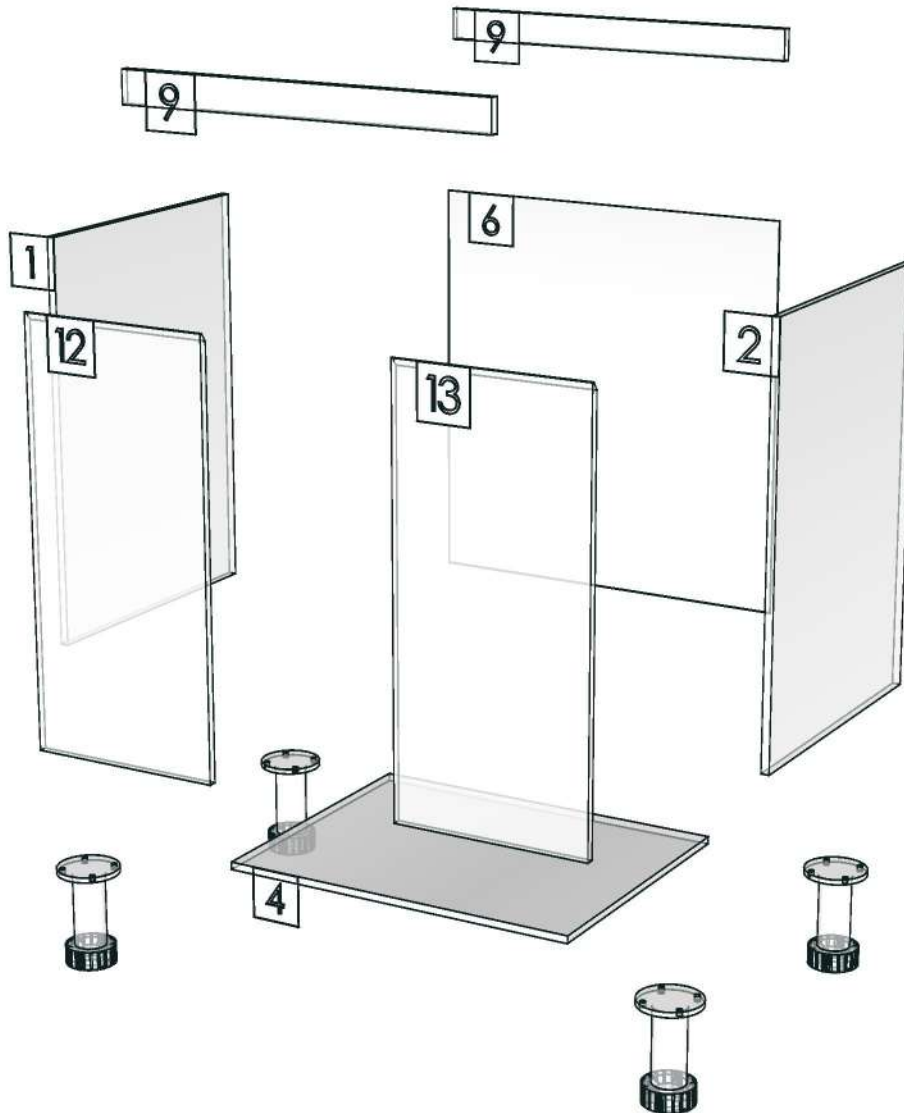
Edge

01.255=1 RHODES AP7

K113-160134022



Model	-REFERENCE_DBS75		
Creator		.BCP Name	INDEX_C3D_KITCHEN2
Reviewer		Order	I002767
Approves		Date	



Model	REFERENCE_DBC8040R		
Creator	PASATHORN	.BCP Name	INDEX_C3D_KITCHEN2
Reviewer		Order	I002813
Approves	P.SAWAI	Date	12/12/2023

REFERENCE_DBC8040R-800X570X888

Colour

02.43=FOIL AP7 AQ-152-12KBWG (AQ PAPER)
03.13=PVC WHITE#630 T0.15MM.
20.24=ML AE9V (PEARL)

Edge

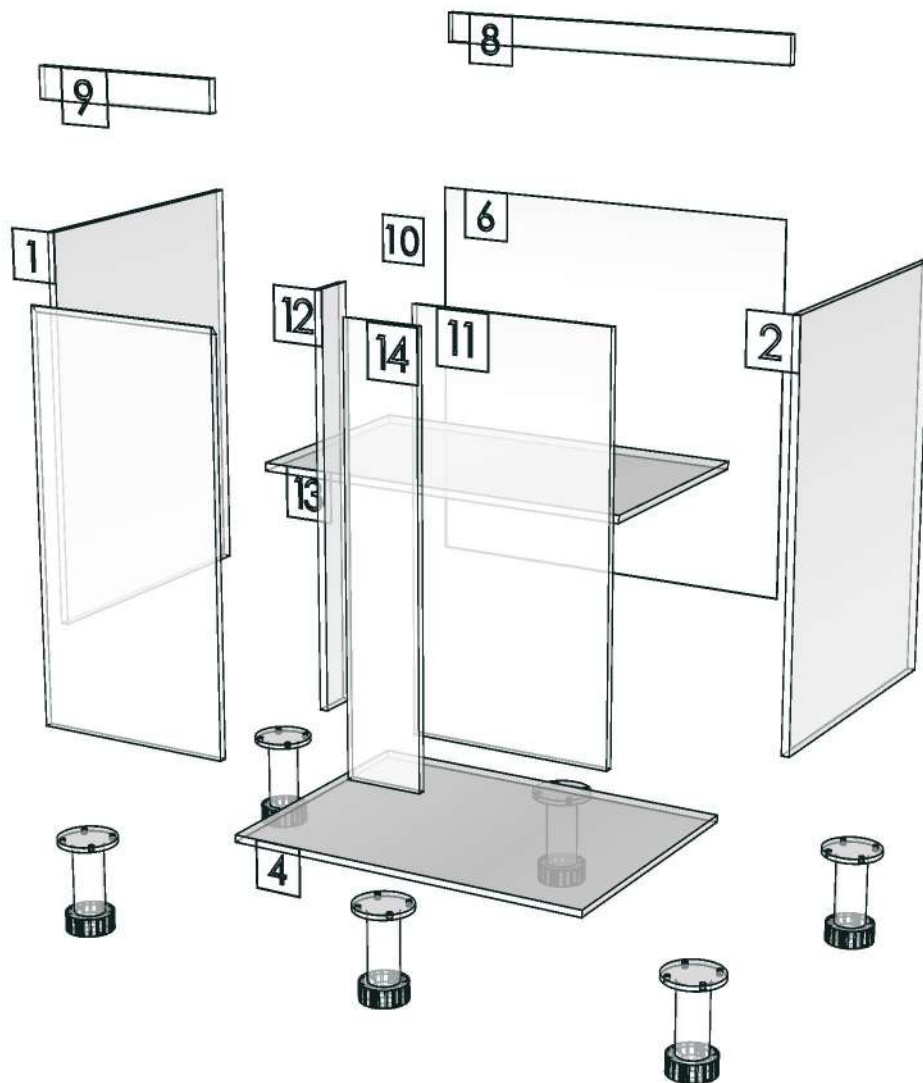
01.255=1 RHODES AP7
01.47=1 WHITE

K113-160134022

R&D REVIEW	
<input checked="" type="checkbox"/>	DWG.Customer
<input checked="" type="checkbox"/>	Work Report
<input type="checkbox"/>	Function
<input type="checkbox"/>	สินค้าตรงตัวอย่าง
ผู้ทบทวน P.SAWAI	



Model	-REFERENCE_DBC8040R		
Creator		.BCP Name	INDEX_C3D_KITCHEN2
Reviewer		Order	I002813
Approves		Date	



Model	REFERENCE_DL25L		
Creator	PASATHORN	.BCP Name	INDEX_C3D_KITCHEN2
Reviewer		Order	I002749
Approves	P.SAWAI	Date	11/11/2023

REFERENCE_DL25L-250X350X800

Colour

02.43=FOIL AP7 AQ-152-12KBWG (AQ PAPER)

03.13=PVC WHITE#630 T0.15MM.

20.24=ML AE9V (PEARL)

Edge

01.255=1 RHODES AP7

01.47=1 WHITE

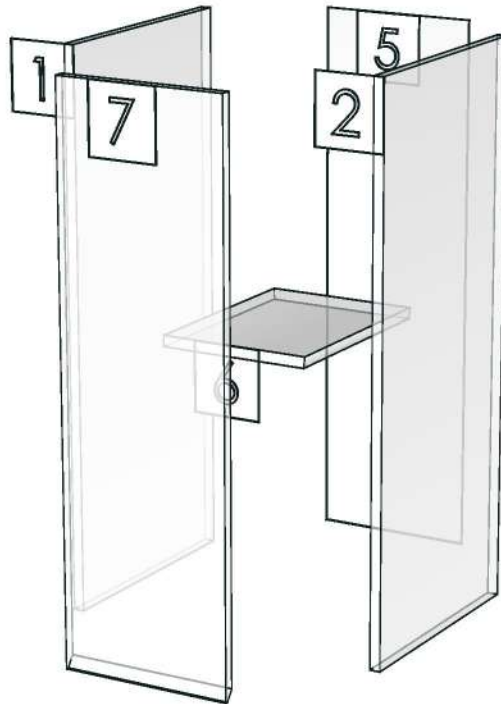
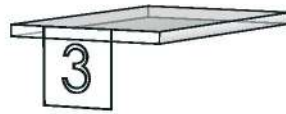
K113-160134022

R&D REVIEW	
<input checked="" type="checkbox"/>	DWG.Customer
<input checked="" type="checkbox"/>	Work Report
<input type="checkbox"/>	Function
<input type="checkbox"/>	สินค้าตรงตัวอย่าง
ผู้ทบทวน P.SAWAI	
11/11/2023	



ปิดขอบด้วยกาว PUR

Model	-REFERENCE_DL25L		
Creator		.BCP Name	INDEX_C3D_KITCHEN2
Reviewer		Order	I002749
Approves		Date	



Model	REFERENCE_DL60RC		
Creator	PASATHORN	.BCP Name	INDEX_C3D_KITCHEN2
Reviewer		Order	I002754
Approves	P.SAWAI	Date	13/11/2023

REFERENCE_DL60RC-600X350X800

Colour

02.43=FOIL AP7 AQ-152-12KBWG (AQ PAPER)

Edge

01.255=1 RHODES AP7

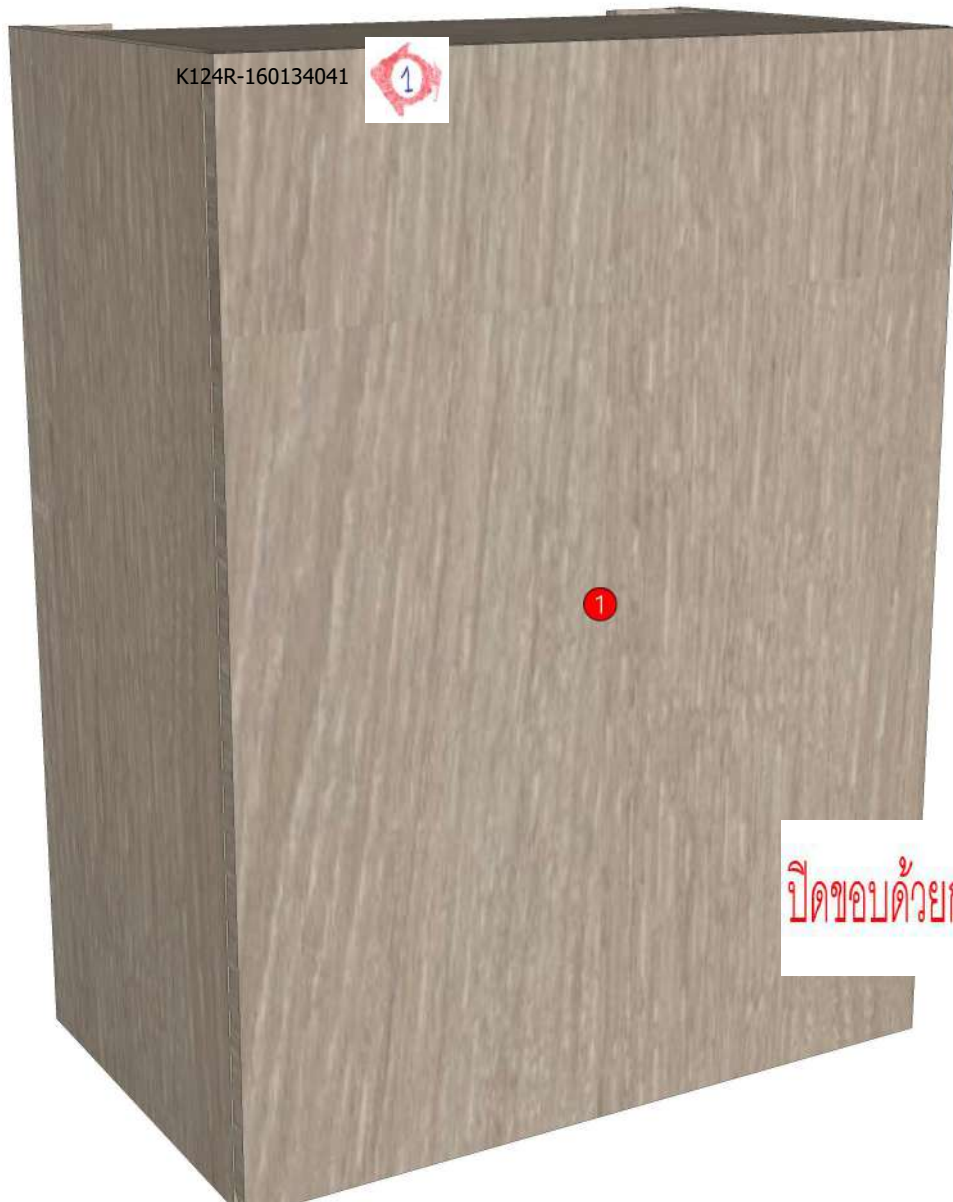
R&D REVIEW	
<input checked="" type="checkbox"/>	DWG.Customer
<input checked="" type="checkbox"/>	Work Report
<input type="checkbox"/>	Function
<input type="checkbox"/>	สินค้าตรงตัวอย่าง
ผู้ทบทวน P.SAWAI	
13/11/2023	

K113-160134022



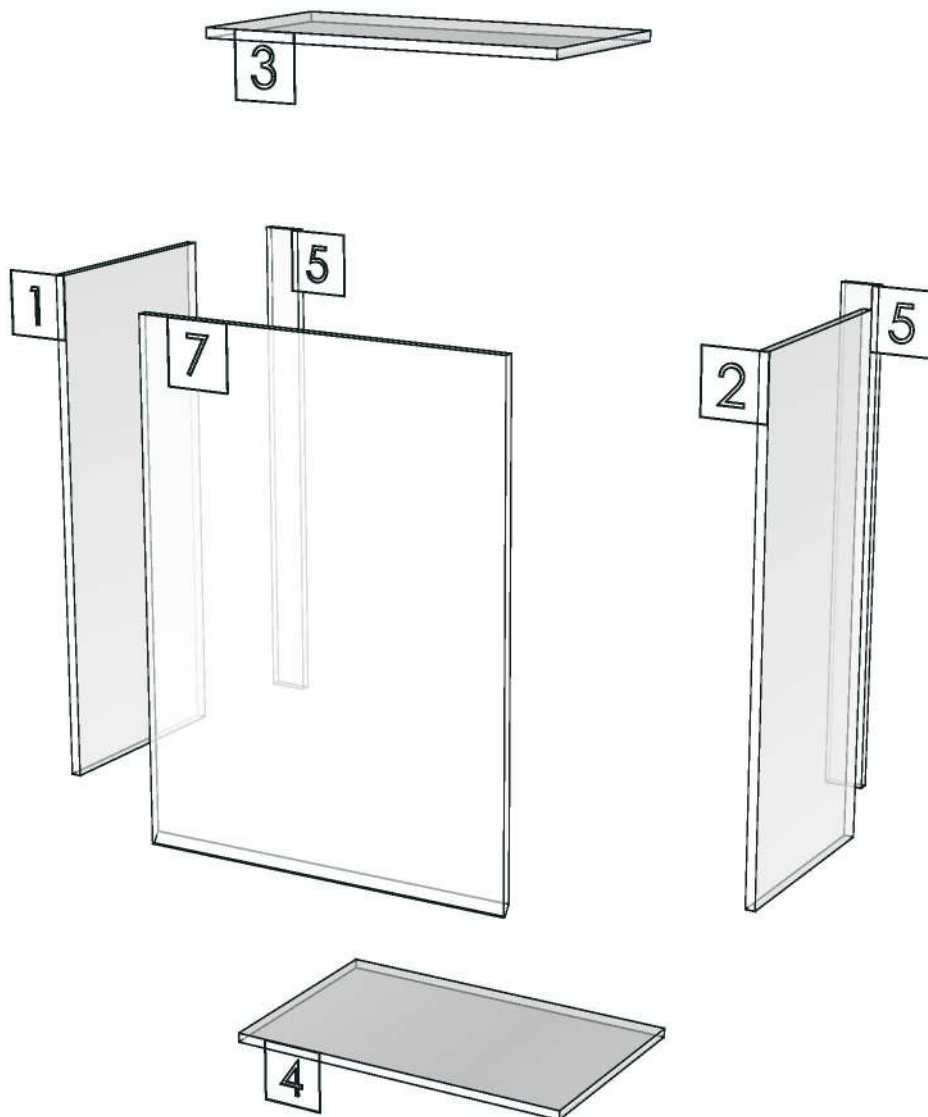
K118R-160131219

K124R-160134041



ปิดขอบด้วยกาว PUR

Model	-REFERENCE_DL60RC		
Creator		.BCP Name	INDEX_C3D_KITCHEN2
Reviewer		Order	I002754
Approves		Date	



Model	REFERENCE_DL70SL		
Creator	PASATHORN	.BCP Name	INDEX_C3D_KITCHEN2
Reviewer		Order	I002420
Approves		Date	29/06/2023

REFERENCE_DL70SL-700X350X800

Colour

02.43=FOIL AP7 AQ-152-12KBWG (AQ PAPER)

03.13=PVC WHITE#630 T0.15MM.

20.24=ML AE9V (PEARL)

Edge

01.255=1 RHODES AP7

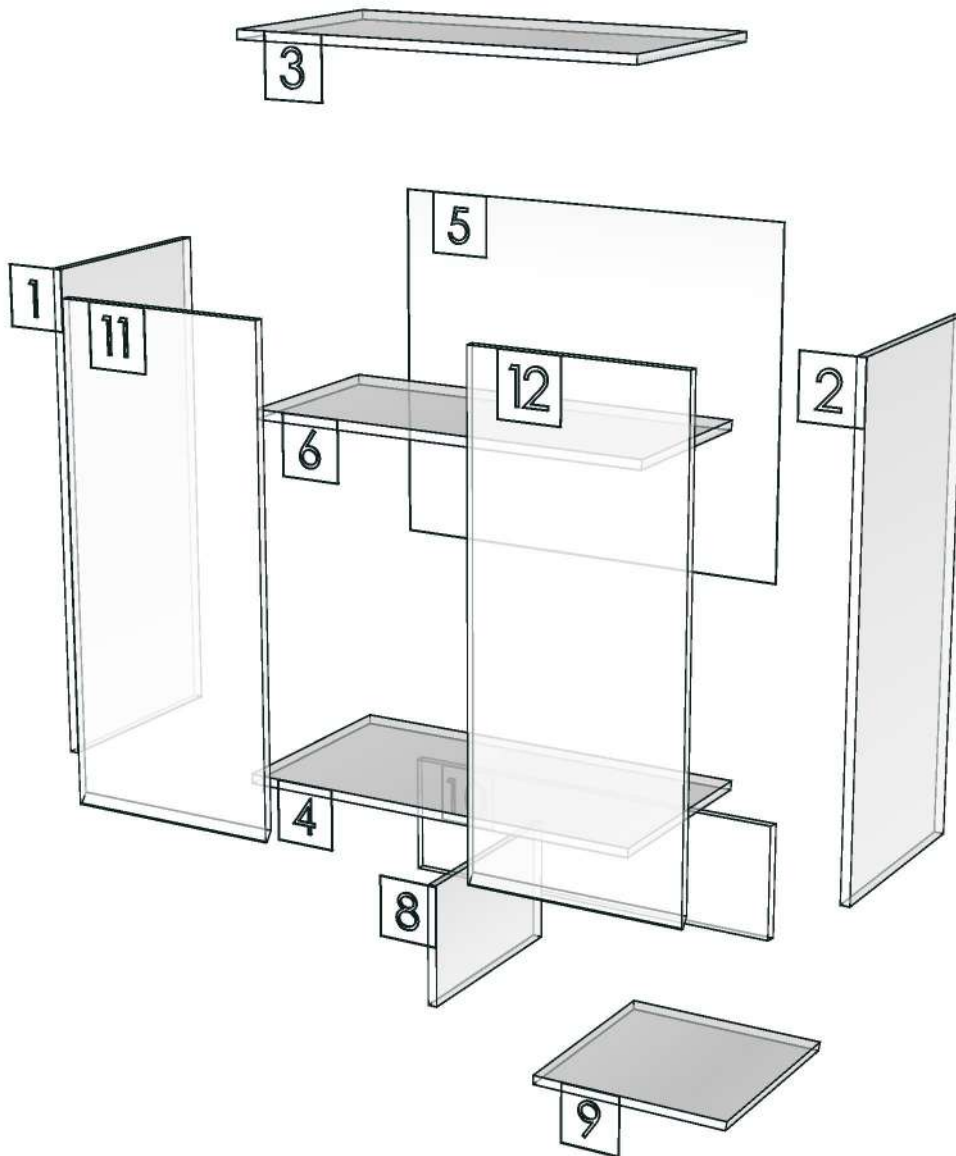
01.47=1 WHITE

K113-160134022

K102R-160123111



Model	-REFERENCE_DL70SL		
Creator		.BCP Name	INDEX_C3D_KITCHEN2
Reviewer		Order	I002420
Approves		Date	



Model	REFERENCE_DL60HL		
Creator	PASATHORN	.BCP Name	INDEX_C3D_KITCHEN2
Reviewer		Order	I002704
Approves	P.SAWAI	Date	17/10/2023

REFERENCE_DL60HL-600X350X755

Colour

02.43=FOIL AP7 AQ-152-12KBWG (AQ PAPER)
03.13=PVC WHITE#630 T0.15MM.
20.24=ML AE9V (PEARL)

Edge

01.255=1 RHODES AP7
01.47=1 WHITE

K113-160134022
K114L-160129206

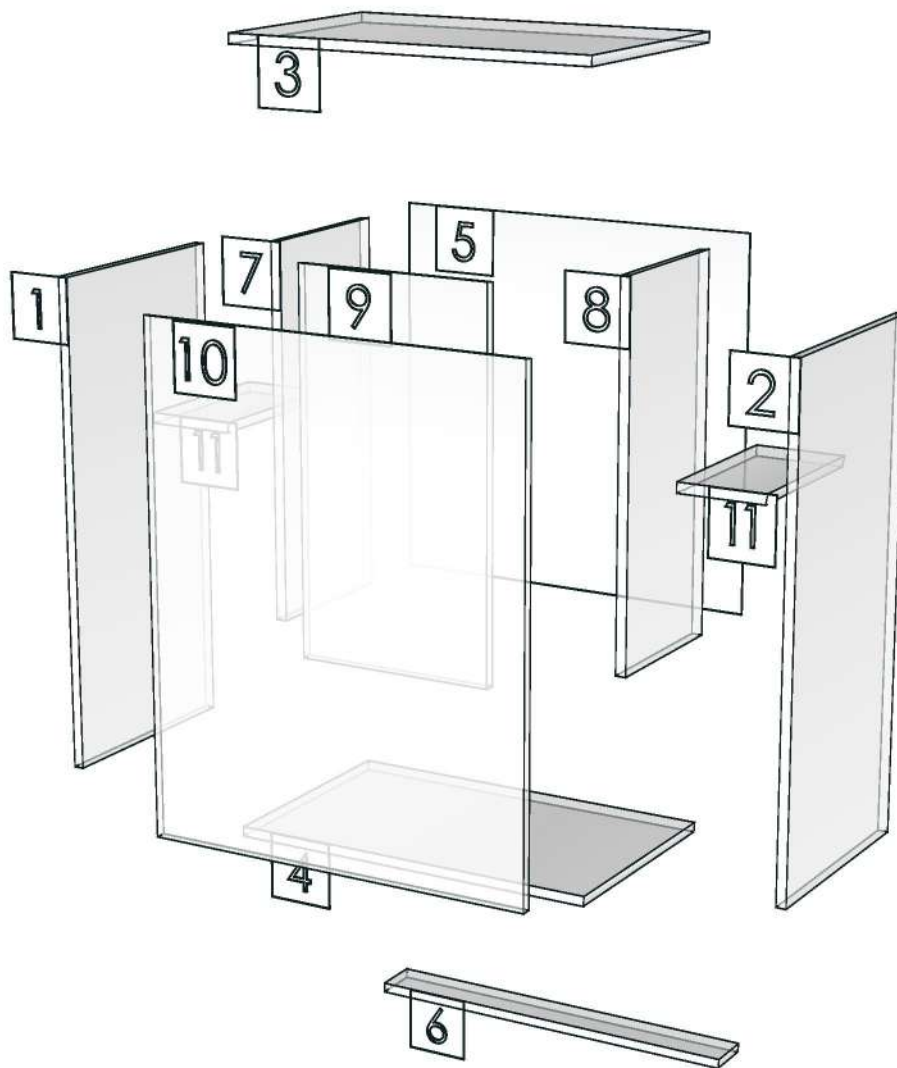
K119R-160134173

R&D REVIEW	
<input checked="" type="checkbox"/>	DWG.Customer
<input checked="" type="checkbox"/>	Work Report
<input type="checkbox"/>	Function
<input type="checkbox"/>	สินค้าตรงตัวอย่าง
ผู้ทบทวน P.SAWAI	
17/10/2023	



ปิดขอบด้วยกาว PUR

Model	-REFERENCE_DL60HL		
Creator		.BCP Name	INDEX_C3D_KITCHEN2
Reviewer		Order	I002704
Approves		Date	



Model	REFERENCE_DW70		
Creator	PASATHORN	.BCP Name	INDEX_C3D_KITCHEN2
Reviewer		Order	I002382
Approves	P. SAWAI	Date	22/06/2023

REFERENCE_DW70-700X350X500

Colour

02.43=FOIL AP7 AQ-152-12KBWG (AQ PAPER)

03.13=PVC WHITE#630 T0.15MM.

20.24=ML AE9V (PEARL)

K100L-160131166

K102L-160131186

K102R-160123111

K108L-160123120

K108R-160123129

K109R-160123138

Edge

01.255=1 RHODES AP7

01.47=1 WHITE

K126R-160131546

K127L-160134193

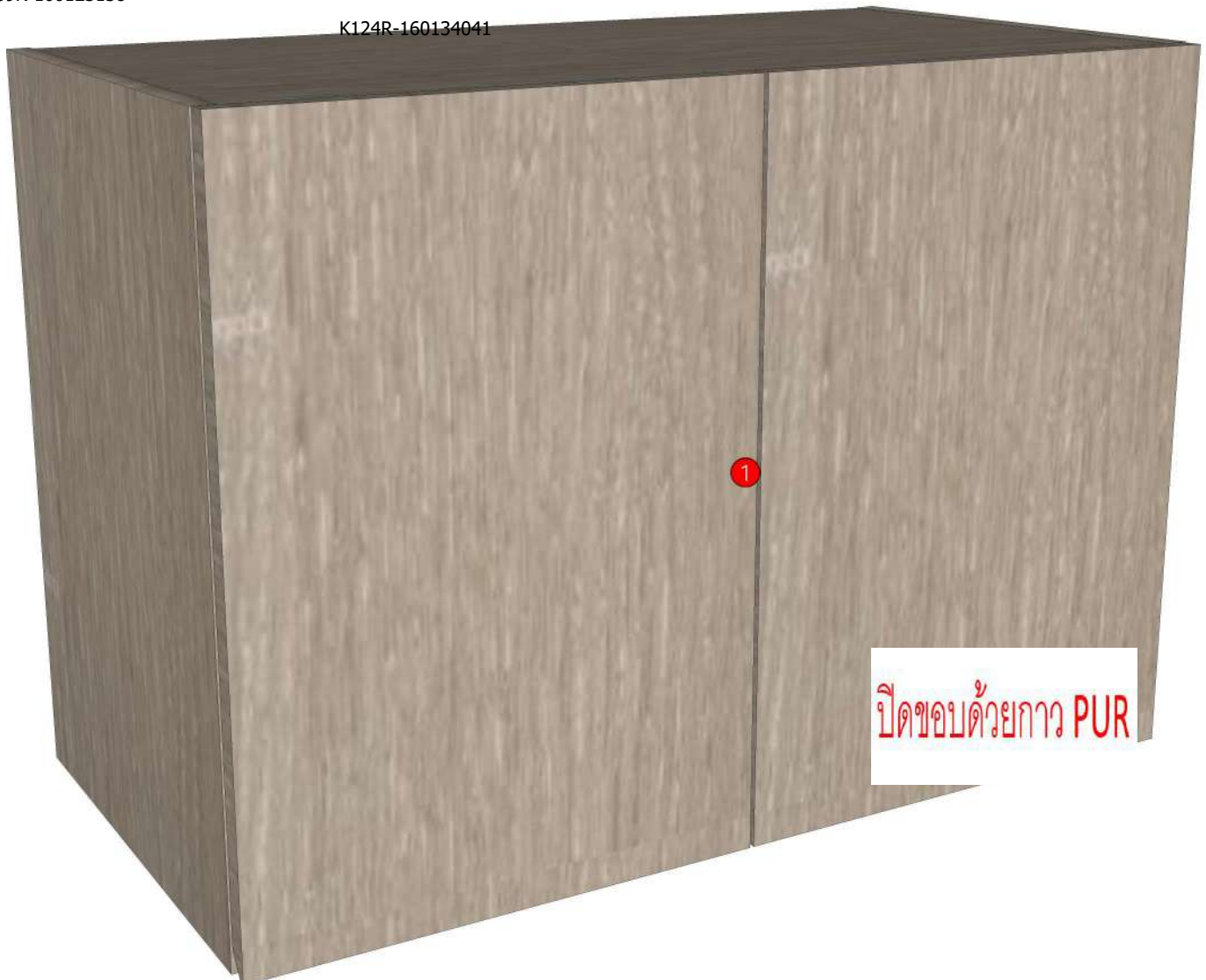
K113-160134022

K114L-160129206

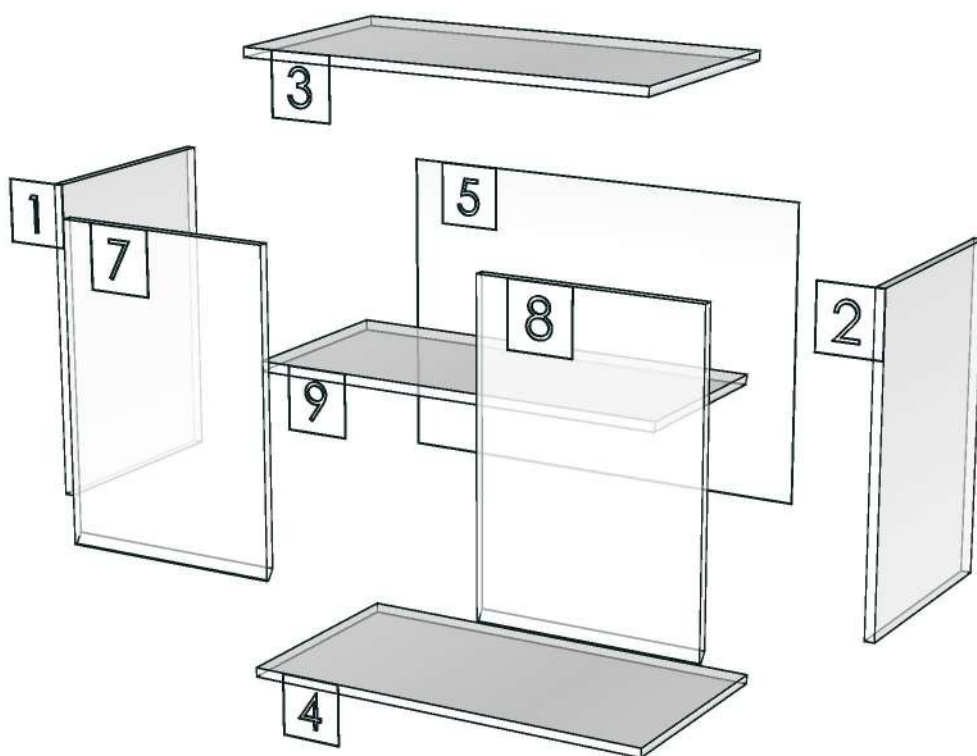
K117L-160123170

K124R-160134041

R&D REVIEW	
<input checked="" type="checkbox"/>	DWG.Customer
<input checked="" type="checkbox"/>	Work Report
<input type="checkbox"/>	Function
<input type="checkbox"/>	สินค้าตรงตัวอย่าง
ผู้ทบทวน <u>P. SAWAI</u>	
<u>22/06/2023</u>	



Model	-REFERENCE_DW70		
Creator		.BCP Name	INDEX_C3D_KITCHEN2
Reviewer		Order	I002382
Approves		Date	



Model	REFERENCE_DT55RS		
Creator	PASATHORN	.BCP Name	INDEX_C3D_KITCHEN2
Reviewer		Order	I002806
Approves	P.SAWAI	Date	12/12/2023

REFERENCE_DT55RS-550X450X2300

Colour

02.43=FOIL AP7 AQ-152-12KBWG (AQ PAPER)

03.13=PVC WHITE#630 T0.15MM.

20.24=ML AE9V (PEARL)

Edge

01.255=1 RHODES AP7

01.47=1 WHITE

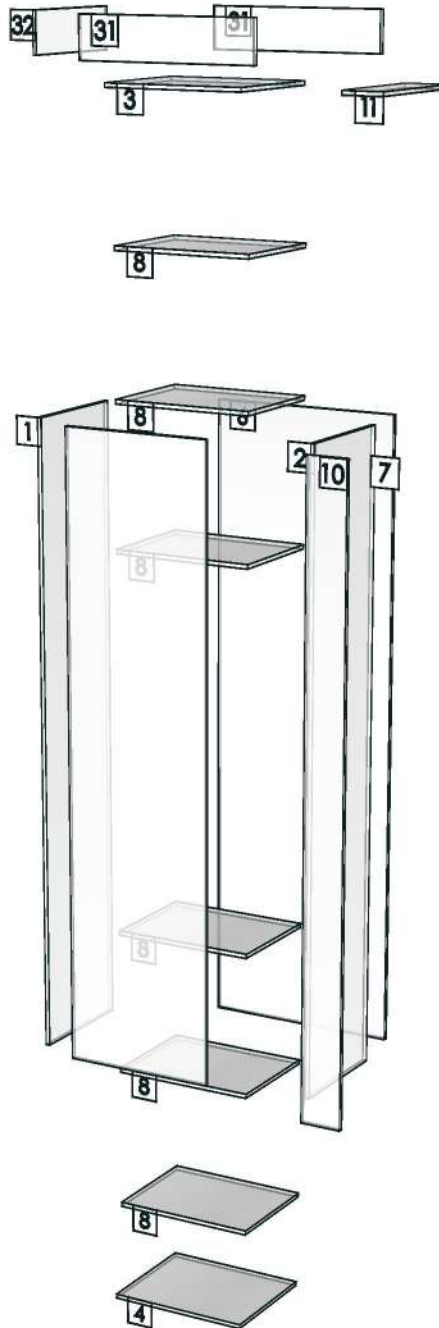
K113-160134022

R&D REVIEW	
<input checked="" type="checkbox"/>	DWG.Customer
<input checked="" type="checkbox"/>	Work Report
<input type="checkbox"/>	Function
<input type="checkbox"/>	สินค้าตรงตัวอย่าง
ผู้ทบทวน P.SAWAI	
12/12/2023	



ปิดขอบด้วยกาว PUR

Model	-REFERENCE_DT55RS		
Creator		.BCP Name	INDEX_C3D_KITCHEN2
Reviewer		Order	I002806
Approves	P.SAWAI	Date	



Model	REFERENCE_DEP2200		
Creator	PASATHORN	.BCP Name	INDEX_C3D_KITCHEN2
Reviewer		Order	I002770
Approves	P.SAWAI	Date	14/11/2023

REFERENCE_DEP2200-2200X16X838

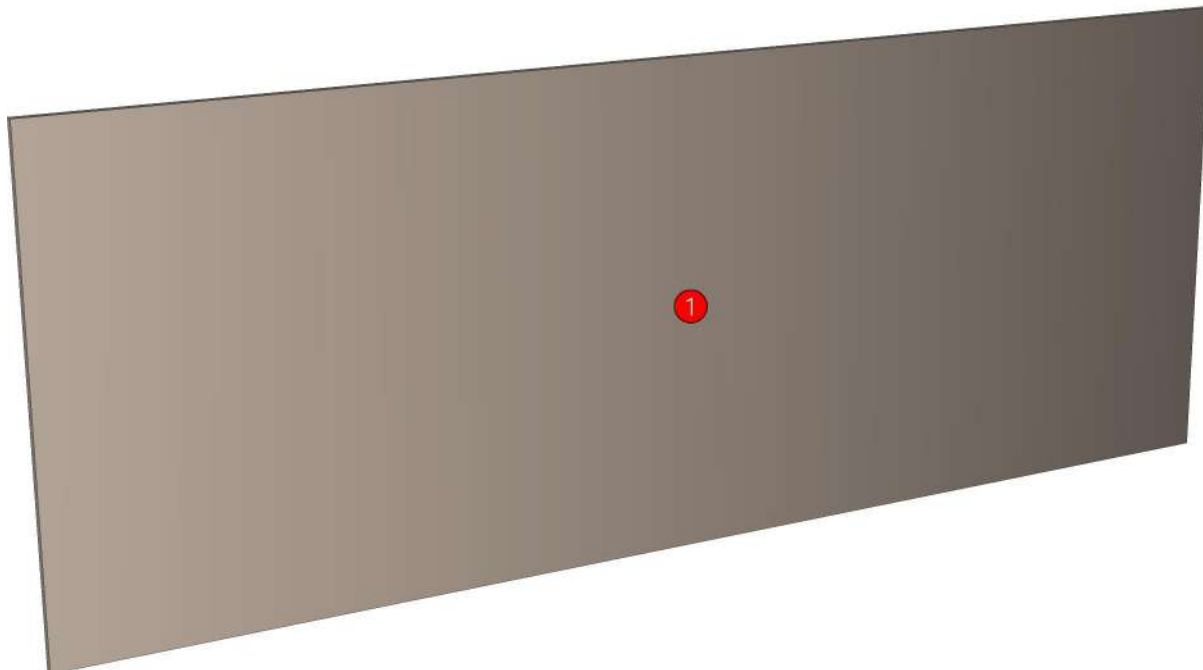
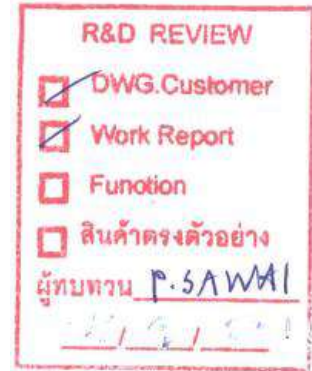
Colour

20.01=ML.MFI599_PEARL

Edge

01.319=1 MFI599 PEARL

K113-160134022



Model	REFERENCE_DEP603		
Creator	PASATHORN	.BCP Name	INDEX_C3D_KITCHEN2
Reviewer		Order	I002805
Approves	P.SAWAI	Date	12/12/2023

REFERENCE_DEP603-603X16X888

Colour

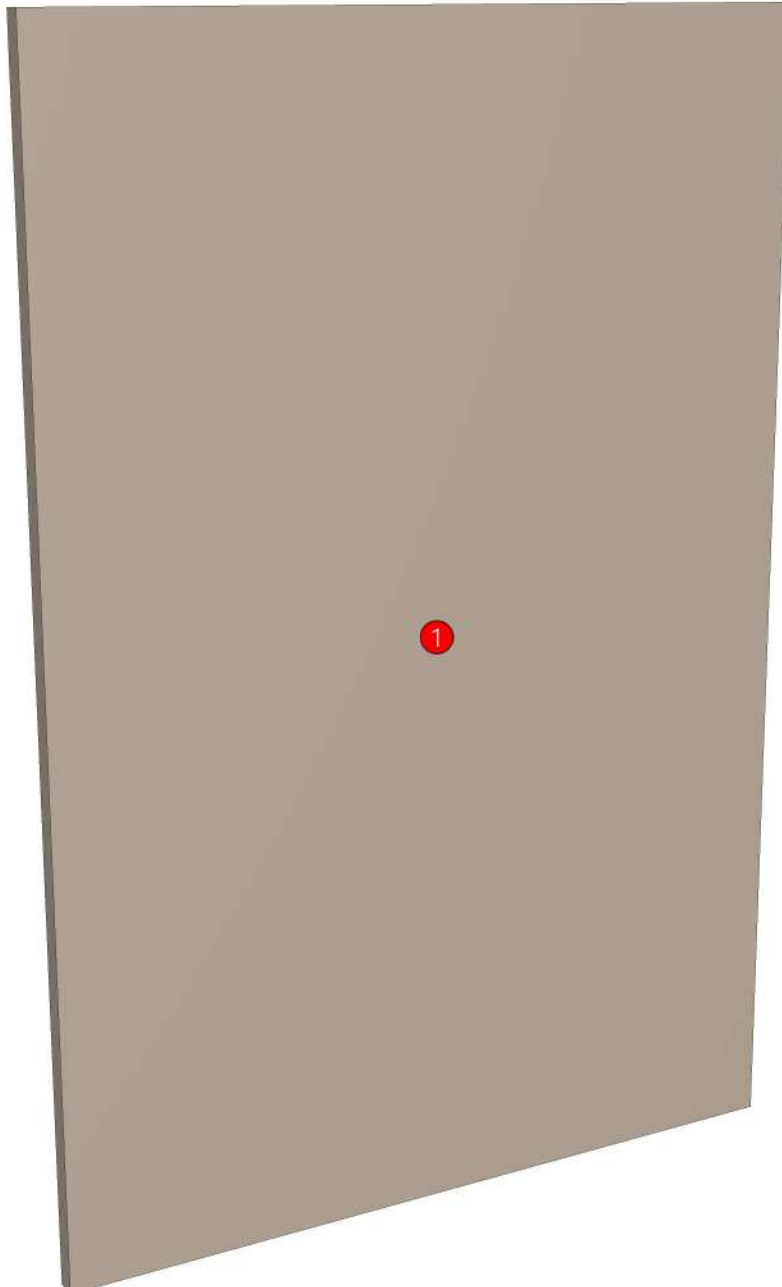
20.01=ML.MFI599_PEARL

Edge

01.319=1 MFI599 PEARL

K113-160134022

R&D REVIEW	
<input checked="" type="checkbox"/>	DWG.Customer
<input checked="" type="checkbox"/>	Work Report
<input type="checkbox"/>	Function
<input type="checkbox"/>	สินค้าตรงตัวอย่าง
ผู้ทบทวน P.SAWAI	



Model	REFERENCE_DFB		
Creator	PASATHORN	.BCP Name	INDEX_C3D_KITCHEN2
Reviewer		Order	I002376
Approves	P.SAWAI	Date	21/06/2023

REFERENCE_DFB-150X15X838

Colour

02.43=FOIL AP7 AQ-152-12KBWG (AQ PAPER)

Edge

01.255=1 RHODES AP7

R&D REVIEW	
<input checked="" type="checkbox"/>	DWG.Customer
<input checked="" type="checkbox"/>	Work Report
<input type="checkbox"/>	Function
<input type="checkbox"/>	สินค้าตรงตัวอย่าง
ผู้ทบทวน <u>P.SAWAI</u>	
<u>21/6/23</u>	

K126R-160131546

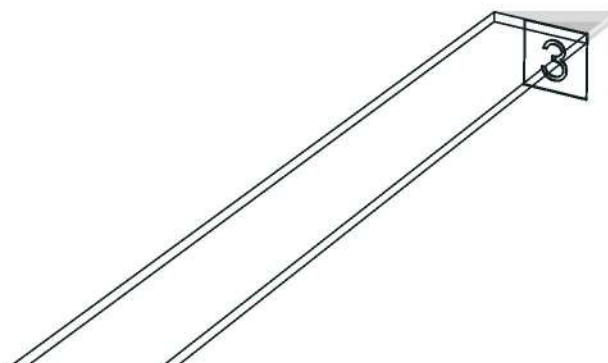
K113-160134022
K114L-160129206
K117L-160123170
K118R-160131219
K119R-160134173
K122L-160123183
K123L-160123193
K123R-160123203
K124R-160134041

K109R-160123138
K110R-160123152



ปิดขอบด้วยกาว PUR

Model	-REFERENCE_DFB		
Creator		.BCP Name	INDEX_C3D_KITCHEN2
Reviewer		Order	I002376
Approves		Date	



Model	REFERENCE_DFB500		
Creator	PASATHORN	.BCP Name	INDEX_C3D_KITCHEN2
Reviewer		Order	I002740
Approves	P.SAWAI	Date	07/11/2023

REFERENCE_DFB500-500X15X888

Colour

02.43=FOIL AP7 AQ-152-12KBWG (AQ PAPER)

Edge

01.255=1 RHODES AP7

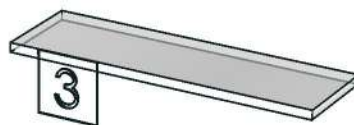
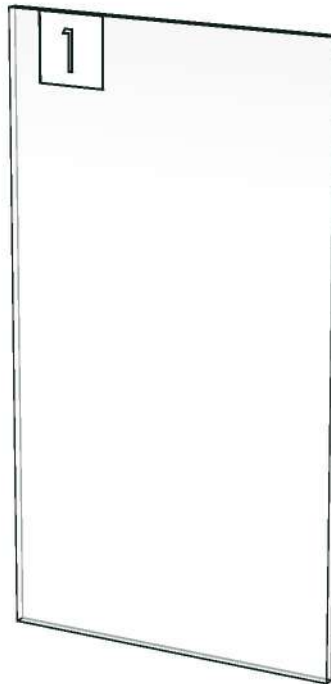
K113-160134022

R&D REVIEW	
<input checked="" type="checkbox"/>	DWG.Customer
<input checked="" type="checkbox"/>	Work Report
<input type="checkbox"/>	Function
<input type="checkbox"/>	สินค้าตรงตัวอย่าง
ผู้ทบทวน P.SAWAI	
07/11/2023	



ปิดขอบด้วยกาว PUR

Model	-REFERENCE_DFB500		
Creator		.BCP Name	INDEX_C3D_KITCHEN2
Reviewer		Order	I002740
Approves		Date	



Model	REFERENCE_DFL		
Creator	PASATHORN	.BCP Name	INDEX_C3D_KITCHEN2
Reviewer		Order	I002377
Approves	P.SAWAI	Date	21/06/2023

REFERENCE_DFL-150X15X800

Colour

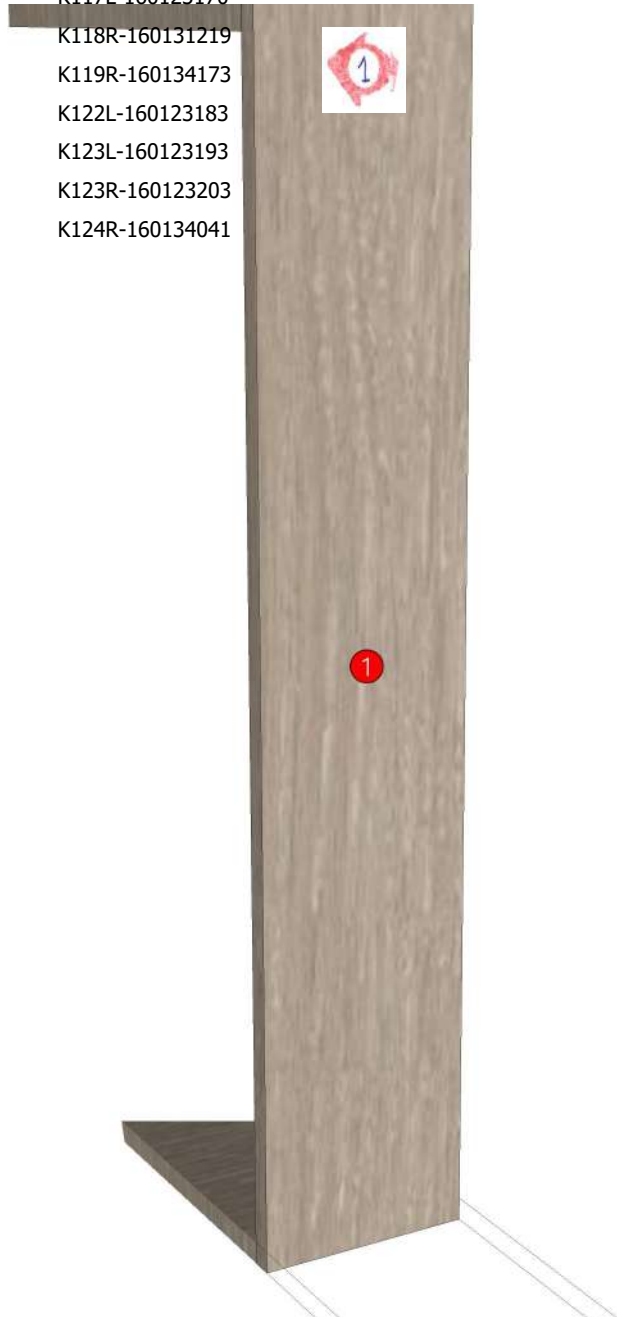
02.43=FOIL AP7 AQ-152-12KBWG (AQ PAPER)

Edge

01.255=1 RHODES AP7

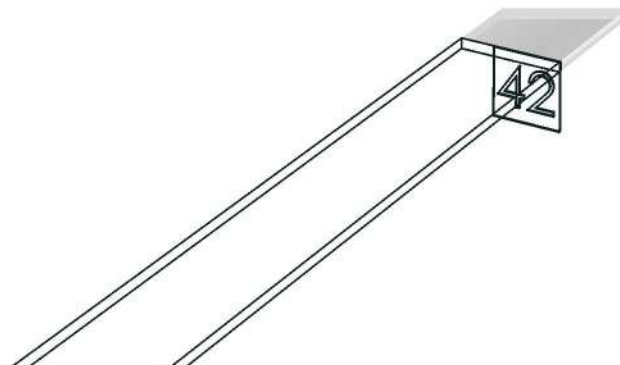
R&D REVIEW	
<input checked="" type="checkbox"/>	DWG.Customer
<input checked="" type="checkbox"/>	Work Report
<input type="checkbox"/>	Function
<input type="checkbox"/>	สินค้าตรงตัวอย่าง
ผู้ทบทวน P.SAWAI	
21/6/23	

- | | | |
|-----------------|-----------------|-----------------|
| K101L-160131176 | K112L-160123160 | K126R-160131546 |
| | K113-160134022 | |
| | K114L-160129206 | |
| | K117L-160123170 | |
| K103R-160131196 | K118R-160131219 | |
| | K119R-160134173 | |
| | K122L-160123183 | |
| | K123L-160123193 | |
| K109R-160123138 | K123R-160123203 | |
| K110R-160123152 | K124R-160134041 | |



ปิดขอบด้วยกาว PUR

Model	-REFERENCE_DFL		
Creator		.BCP Name	INDEX_C3D_KITCHEN2
Reviewer		Order	I002377
Approves		Date	



Model	REFERENCE_DFLS		
Creator	PASATHORN	.BCP Name	INDEX_C3D_KITCHEN2
Reviewer		Order	I002702
Approves	P.SAWAI	Date	17/10/2023

REFERENCE_DFLS-250X15X800

Colour

02.43=FOIL AP7 AQ-152-12KBWG (AQ PAPER)

Edge

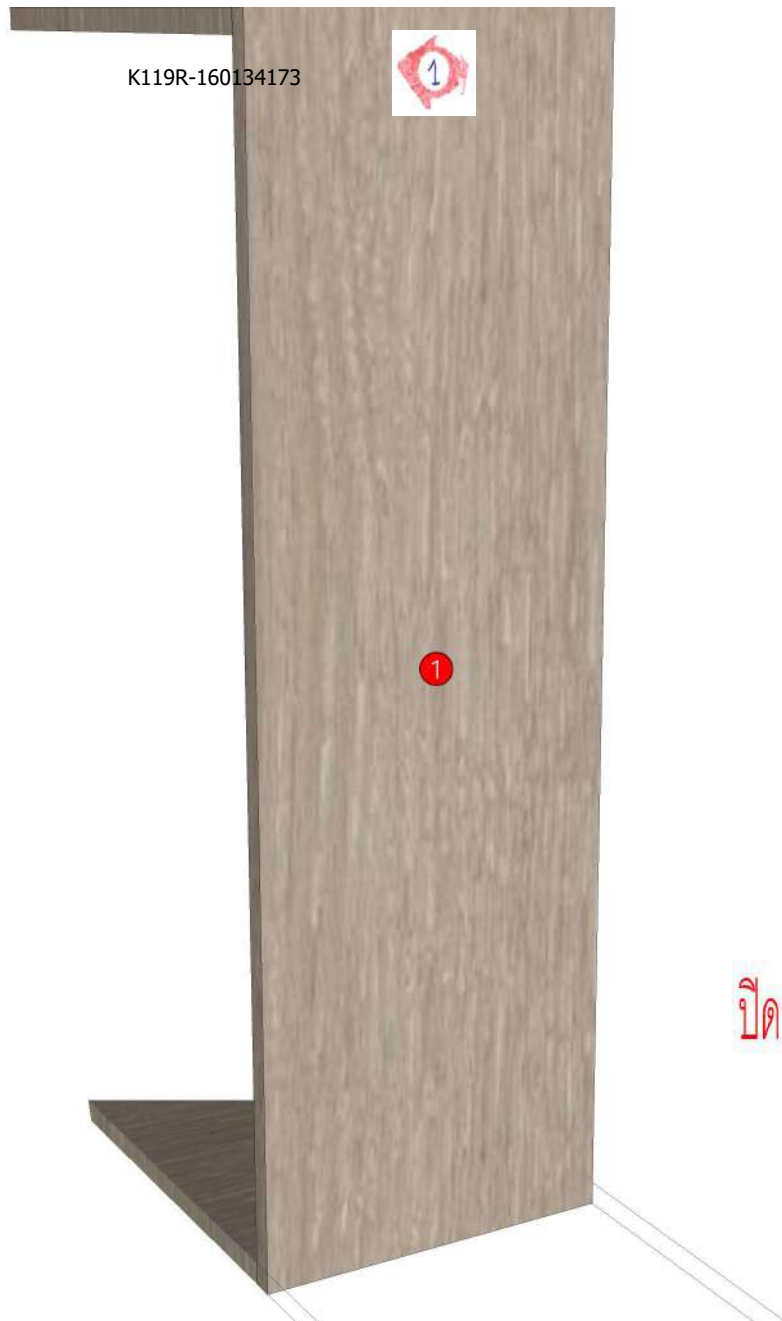
01.255=1 RHODES AP7

R&D REVIEW	
<input checked="" type="checkbox"/>	DWG.Customer
<input checked="" type="checkbox"/>	Work Report
<input type="checkbox"/>	Function
<input type="checkbox"/>	สินค้าตรงตัวอย่าง
ผู้ทบทวน <u>P.SAWAI</u>	
<u>17/10/2023</u>	

K113-160134022

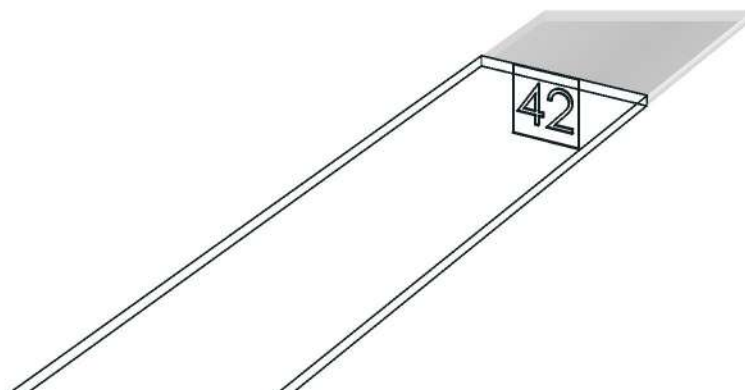
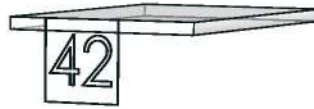
K114L-160129206

K119R-160134173



ปิดขอบด้วยกาว PUR

Model	-REFERENCE_DFLS		
Creator		.BCP Name	INDEX_C3D_KITCHEN2
Reviewer		Order	I002702
Approves		Date	



Model	REFERENCE_DF_CL1550		
Creator	PASATHORN	.BCP Name	INDEX_C3D_KITCHEN2
Reviewer		Order	I002371
Approves	P.SAWAI	Date	20/06/2023

REFERENCE_DF_CL1550-1550X12X150

Colour

02.43=FOIL AP7 AQ-152-12KBWG (AQ PAPER)

Edge

01.255=1 RHODES AP7

R&D REVIEW	
<input checked="" type="checkbox"/>	DWG.Customer
<input checked="" type="checkbox"/>	Work Report
<input type="checkbox"/>	Function
<input type="checkbox"/>	สินค้าตรงตัวอย่าง
ผู้ทบทวน P.SAWAI	

K113-160134022

K114L-160129206

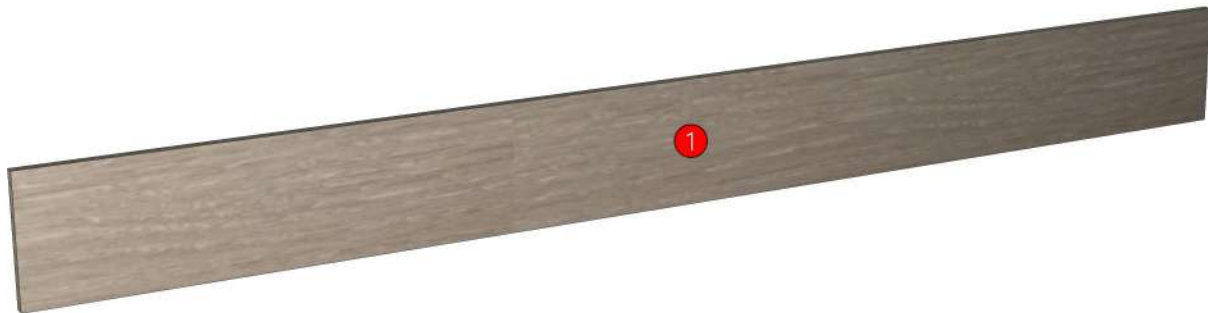
K117L-160123170



K124R-160134041



K110R-160123152



ปิดขอบด้วยกาว PUR

Model	REFERENCE_DF_CL1650		
Creator	PASATHORN	.BCP Name	INDEX_C3D_KITCHEN2
Reviewer		Order	I002372
Approves	P.SAWAI	Date	20/06/2023

REFERENCE_DF_CL1650-1650X12X150

Colour

02.43=FOIL AP7 AQ-152-12KBWG (AQ PAPER)

Edge

01.255=1 RHODES AP7

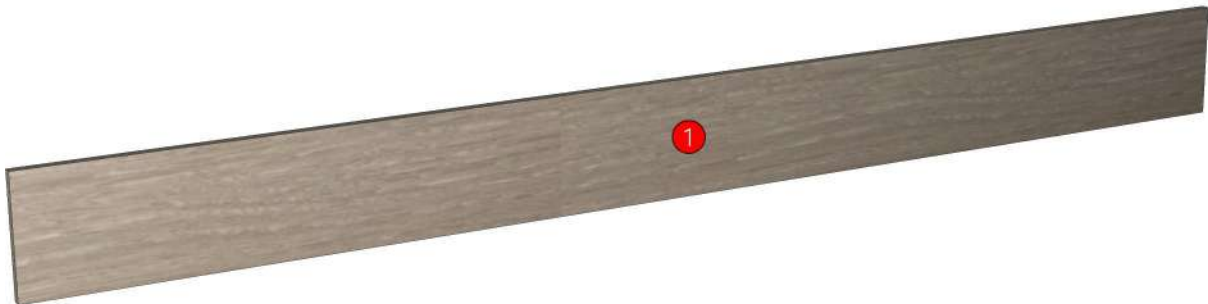
K113-160134022



K123L-160123193

K123R-160123203

R&D REVIEW	
<input checked="" type="checkbox"/>	DWG.Customer
<input checked="" type="checkbox"/>	Work Report
<input type="checkbox"/>	Function
<input type="checkbox"/>	สินค้าตรงตัวอย่าง
ผู้ทบทวน P.SAWAI	



ปิดขอบด้วยกาว PUR

Model	REFERENCE_DF_CL350		
Creator	PASATHORN	.BCP Name	INDEX_C3D_KITCHEN2
Reviewer		Order	I002367
Approves	P.SAWAI	Date	20/06/2023

REFERENCE_DF_CL350-350X12X150

Colour

02.43=FOIL AP7 AQ-152-12KBWG (AQ PAPER)

Edge

01.255=1 RHODES AP7

K100L-160131166
K101L-160131176
K102L-160131186
K102R-160123111
K103R-160131196
K105R-160131209
K108L-160123120
K108R-160123129
K109R-160123138
K110R-160123152

K112L-160123160
K113-160134022
K114L-160129206
K117L-160123170
K118R-160131219
K119R-160134173
K122L-160123183
K123L-160123193
K123R-160123203
K124R-160134041

K126R-160131546
K127L-160134193

R&D REVIEW

DWG.Customer

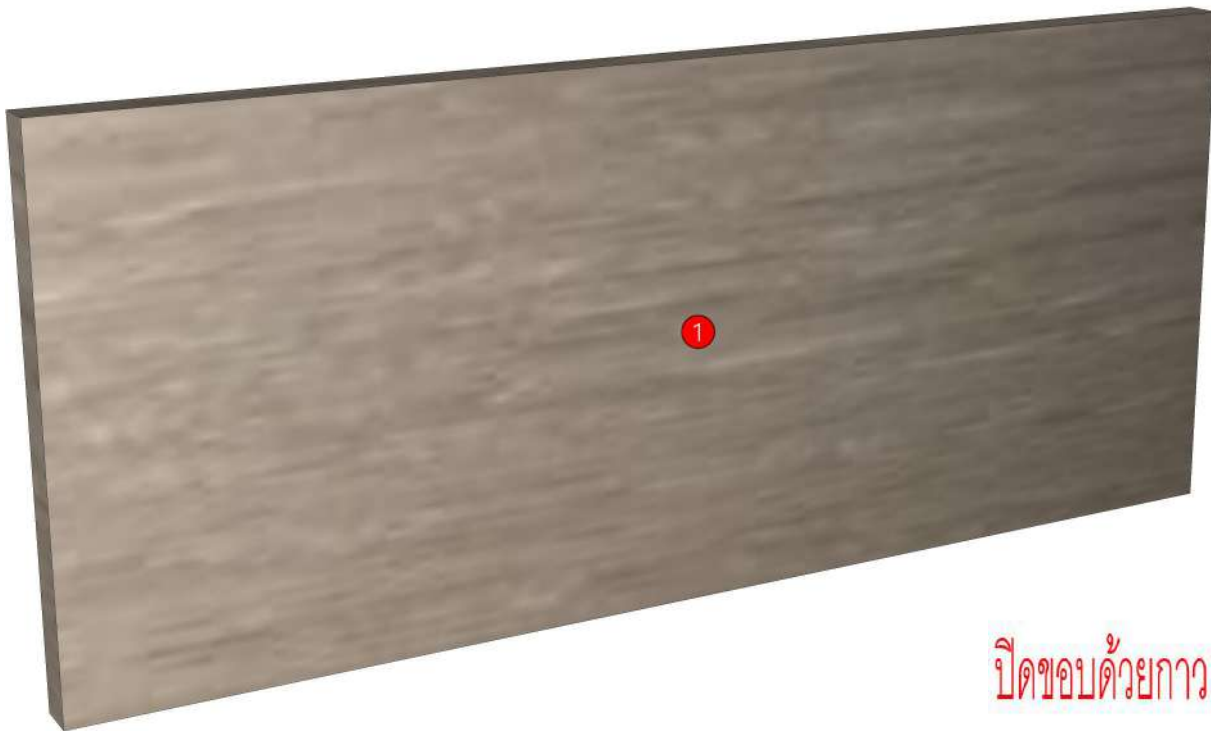
Work Report

Function

สินค้าตรงตัวอย่าง

ผู้ทบทวน P.SAWAI

20/06/2023



ปิดขอบด้วยกาว PUR

Model	REFERENCE_D_PLT200		
Creator	PASATHORN	.BCP Name	INDEX_C3D_KITCHEN2
Reviewer		Order	I002726
Approves	P.SAWAI	Date	07/11/2023

REFERENCE_D_PLT200-200X12X100

Colour

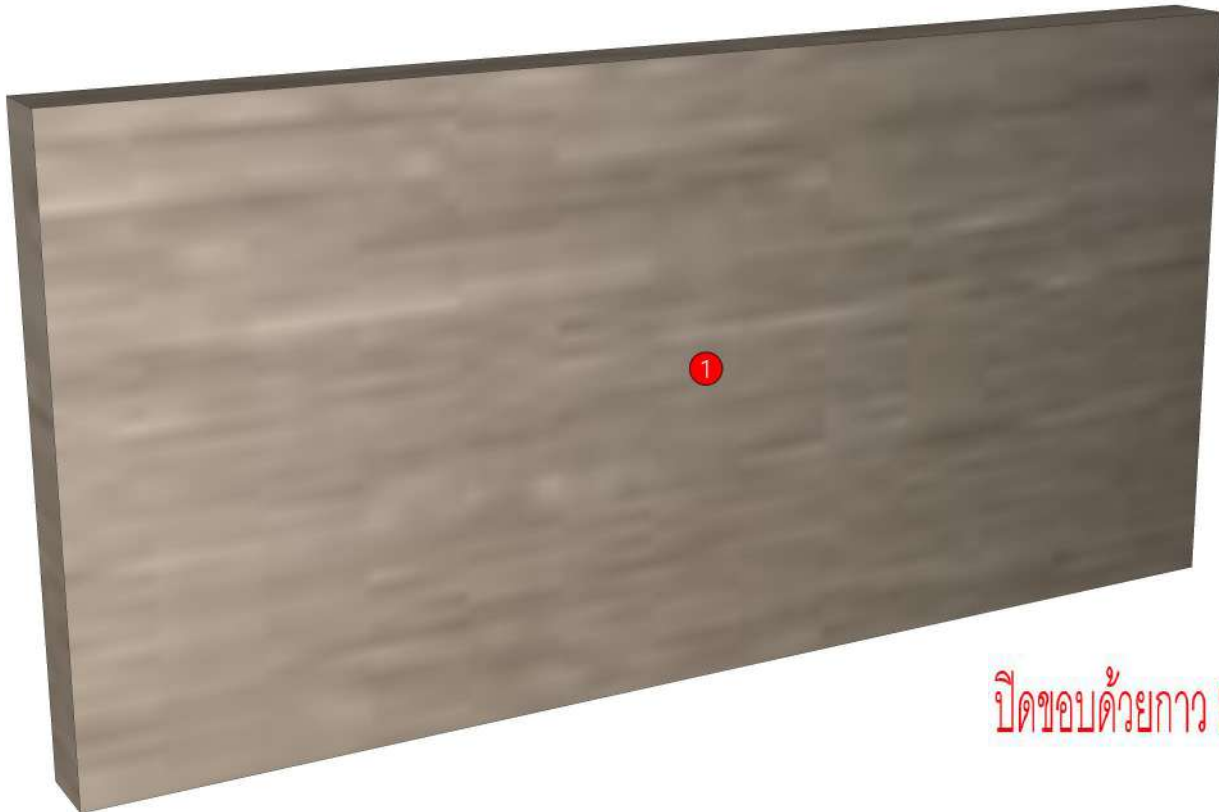
02.43=FOIL AP7 AQ-152-12KBWG (AQ PAPER)

Edge

01.255=1 RHODES AP7

K113-160134022

R&D REVIEW	
<input checked="" type="checkbox"/>	DWG.Customer
<input checked="" type="checkbox"/>	Work Report
<input type="checkbox"/>	Function
<input type="checkbox"/>	สินค้าตรงตัวอย่าง
ผู้ทบทวน P.SAWAI	
[Signature]	



ปิดขอบด้วยกาว PUR

Model	REFERENCE_D_PLT2200		
Creator	PASATHORN	.BCP Name	INDEX_C3D_KITCHEN2
Reviewer		Order	I002733
Approves	P.SAWAI	Date	07/11/2023

REFERENCE_D_PLT2200-2200X12X100

Colour

02.43=FOIL AP7 AQ-152-12KBWG (AQ PAPER)

Edge

01.255=1 RHODES AP7

K113-160134022

R&D REVIEW	
<input checked="" type="checkbox"/>	DWG.Customer
<input checked="" type="checkbox"/>	Work Report
<input type="checkbox"/>	Function
<input type="checkbox"/>	สินค้าตรงตัวอย่าง
ผู้ทบทวน P.SAWAI	
07/11/2023	



ปิดขอบด้วยกาว PUR

Model	REFERENCE_D_PLT1650		
Creator	PASATHORN	.BCP Name	INDEX_C3D_KITCHEN2
Reviewer		Order	I002698
Approves	P.SAWAI	Date	17/10/2023

REFERENCE_D_PLT1650-1650X12X100

Colour

02.43=FOIL AP7 AQ-152-12KBWG (AQ PAPER)

Edge

01.255=1 RHODES AP7

K113-160134022

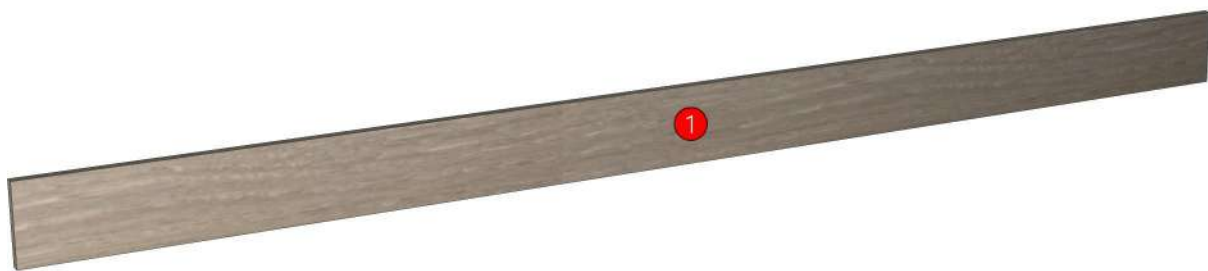
K114L-160129206



K124R-160134041



R&D REVIEW	
<input checked="" type="checkbox"/>	DWG.Customer
<input checked="" type="checkbox"/>	Work Report
<input type="checkbox"/>	Function
<input type="checkbox"/>	สินค้าตรงตัวอย่าง
ผู้ทบทวน P.SAWAI	
17/10/2023	



ปิดขอบด้วยกาว PUR

Model	REFERENCE_D_PLT1050		
Creator	PASATHORN	.BCP Name	INDEX_C3D_KITCHEN2
Reviewer		Order	I002697
Approves	P.SAWAI	Date	17/10/2023

REFERENCE_D_PLT1050-1050X12X100

Colour

02.43=FOIL AP7 AQ-152-12KBWG (AQ PAPER)

Edge

01.255=1 RHODES AP7

K113-160134022

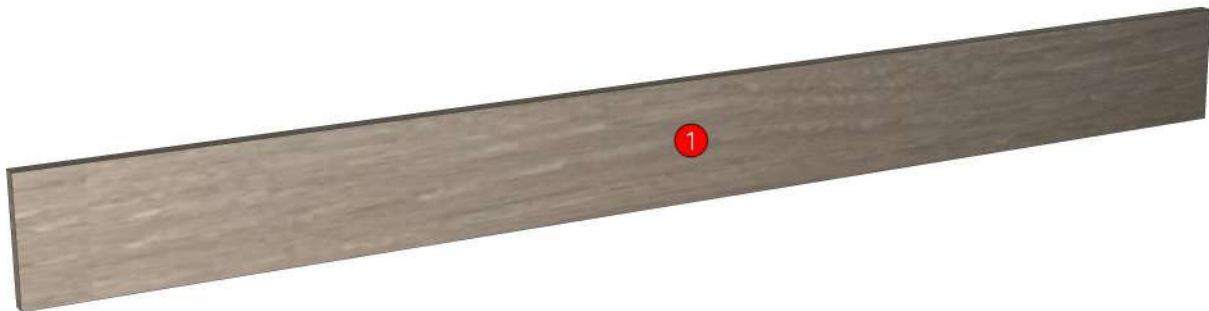
K114L-160129206



K124R-160134041



R&D REVIEW	
<input checked="" type="checkbox"/>	DWG.Customer
<input checked="" type="checkbox"/>	Work Report
<input type="checkbox"/>	Function
<input type="checkbox"/>	สินค้าตรงตัวอย่าง
ผู้ทบทวน P.SAWAI	
_____/_____/____!	



ปิดขอบด้วยกาว PUR

Model	REFERENCE_D_PLT520		
Creator	PASATHORN	.BCP Name	INDEX_C3D_KITCHEN2
Reviewer		Order	I002695
Approves	P.SAWAI	Date	16/10/2023

REFERENCE_D_PLT520-520X12X100

Colour

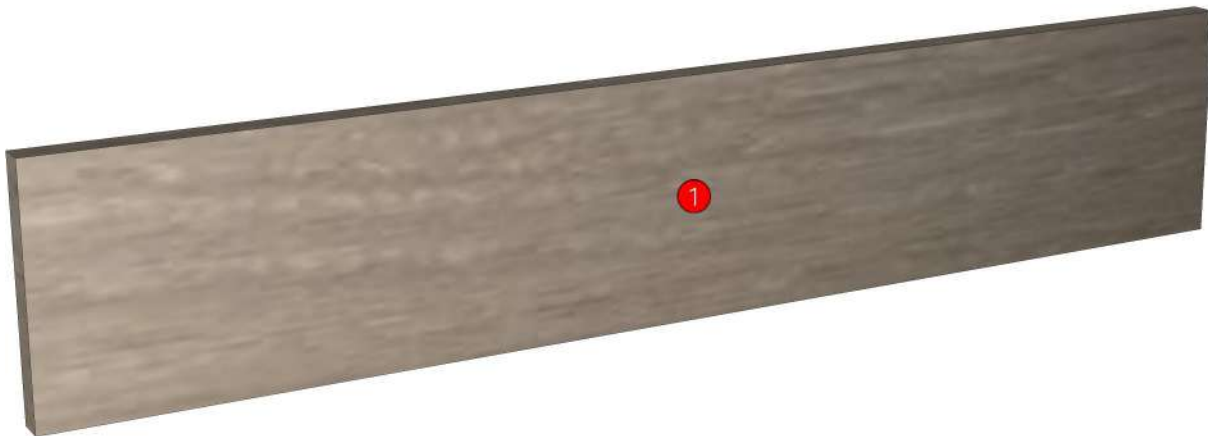
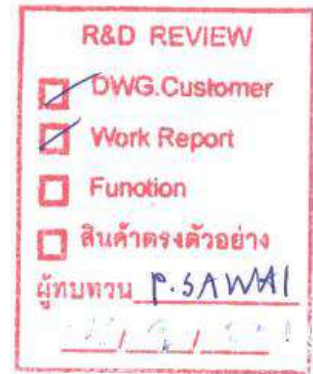
02.43=FOIL AP7 AQ-152-12KBWG (AQ PAPER)

Edge

01.255=1 RHODES AP7

K113-160134022

K124R-160134041



ปิดขอบด้วยกาว PUR

Model	REFERENCE_D_PLT600		
Creator	PASATHORN	.BCP Name	INDEX_C3D_KITCHEN2
Reviewer		Order	I002357
Approves	P.SAWAI	Date	16/06/2023

REFERENCE_D_PLT600-600X12X100

Colour

02.43=FOIL AP7 AQ-152-12KBWG (AQ PAPER)

Edge

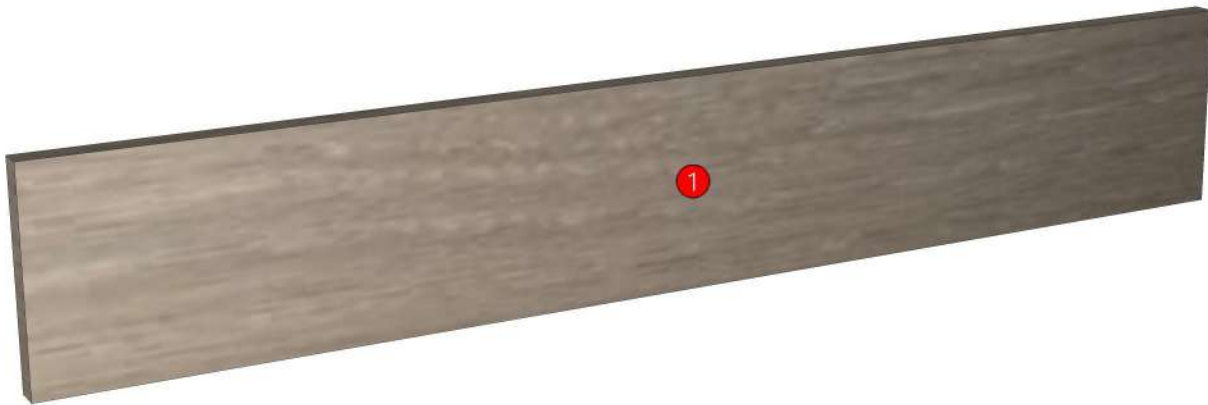
01.255=1 RHODES AP7

K100L-160131166
K101L-160131176
K102L-160131186
K102R-160123111
K103R-160131196
K105R-160131209
K108L-160123120
K108R-160123129
K109R-160123138
K110R-160123152

K112L-160123160
K113-160134022
K114L-160129206
K117L-160123170
K118R-160131219
K119R-160134173
K122L-160123183
K123L-160123193
K123R-160123203
K124R-160134041

K126R-160131546
K127L-160134193

R&D REVIEW	
<input checked="" type="checkbox"/>	DWG.Customer
<input checked="" type="checkbox"/>	Work Report
<input type="checkbox"/>	Function
<input type="checkbox"/>	สินค้าตรงตัวอย่าง
ผู้ทบทวน P.SAWAI	
16/06/2023	



ปิดขอบด้วยกาว PUR

Model	REFERENCE_DDM950		
Creator	PASATHORN	.BCP Name	INDEX_C3D_KITCHEN2
Reviewer		Order	I002745
Approves	P.SAWAI	Date	09/11/2023

REFERENCE_DDM950-950X6X550

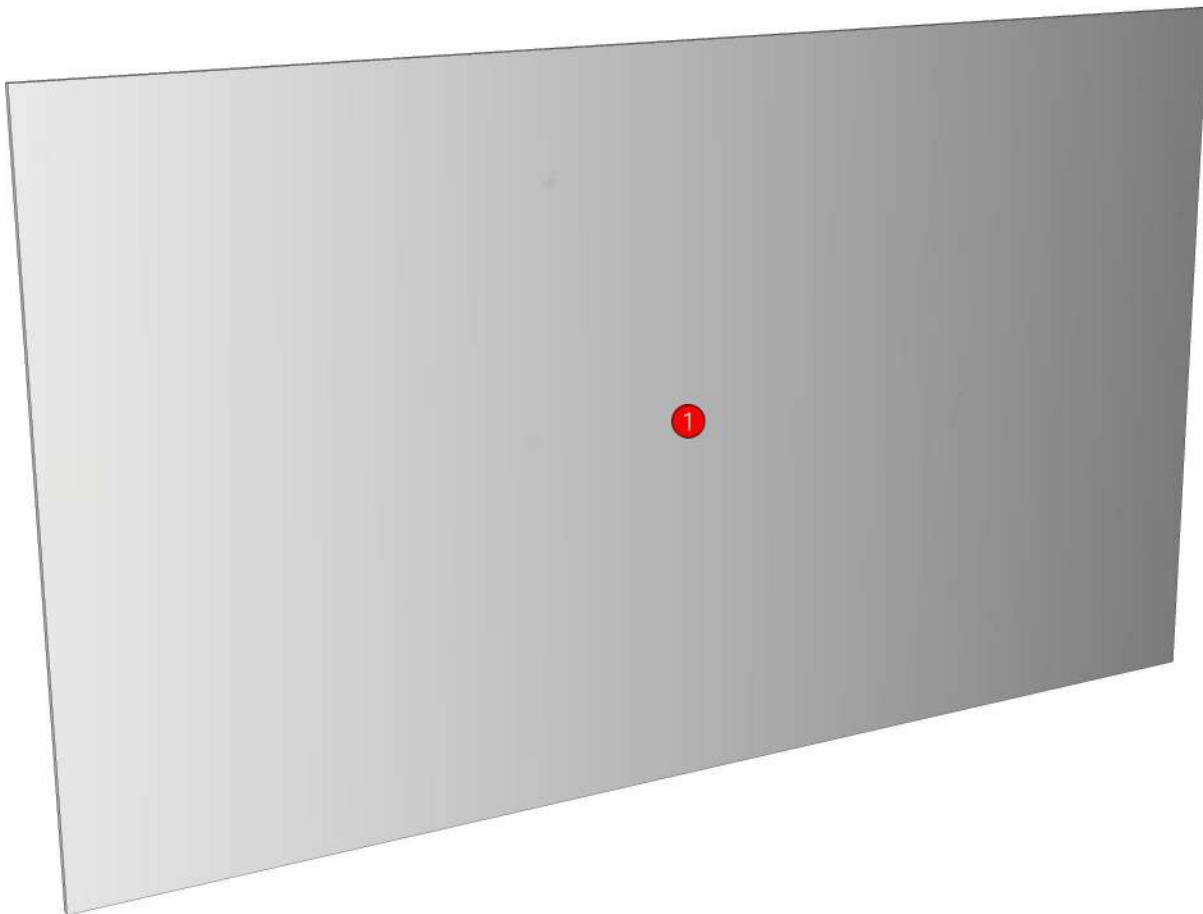
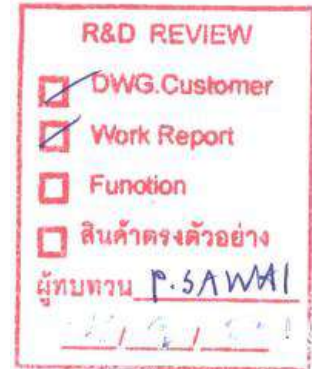
Colour

03.13=PVC WHITE#630 T0.15MM.

Edge

=

K113-160134022



Model	REFERENCE_DDM1550		
Creator	PASATHORN	.BCP Name	INDEX_C3D_KITCHEN2
Reviewer		Order	I002742
Approves	P.SAWAI	Date	09/11/2023

REFERENCE_DDM1550-1550X6X550

Colour

03.13=PVC WHITE#630 T0.15MM.

Edge

=

K113-160134022

