

<b>Model</b>	ESCENT_NKW_DBS50LGR		
<b>Creator</b>	PASATHORN	<b>.BCP Name</b>	INDEX_C3D_KITCHEN2
<b>Reviewer</b>		<b>Order</b>	I003772
<b>Approves</b>		<b>Date</b>	11/12/2024

## **ESCENT\_NKW\_DBS50LGR-500X570X922**

### **Colour**

20.01=ML.MFI599\_PEARL

05.41=ML FOSS ZILK# BK2 (CROSS METAL)

K1L-160152076

K2L-160131628

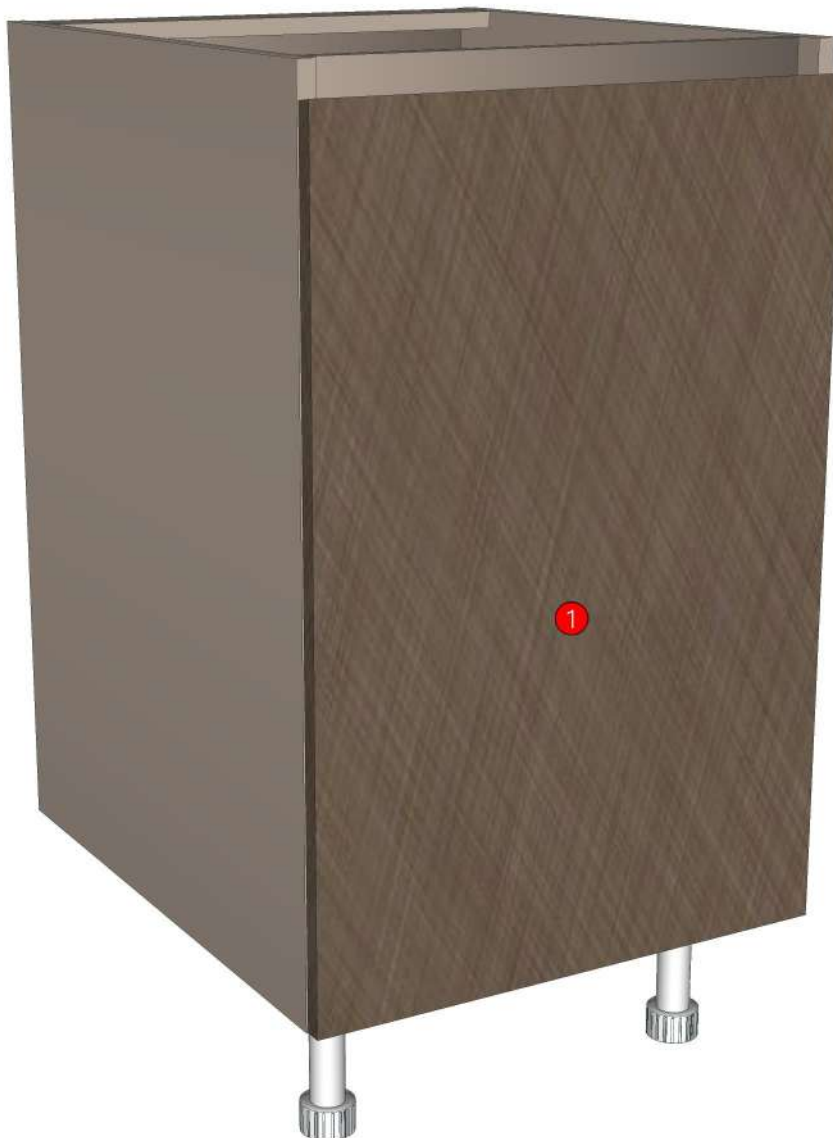
### **Edge**

01.319=1 MFI599 PEARL

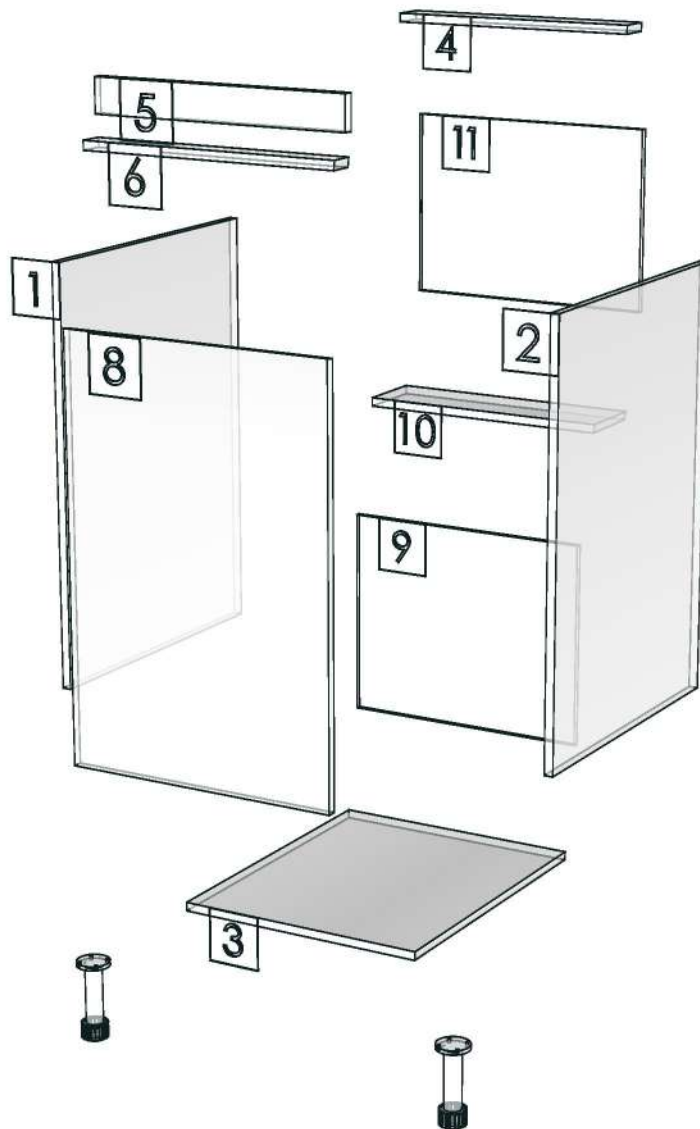
01.299=1 FOSS ZILK BK2 A1285 TH00

K8L-160152121

<b>R&amp;D REVIEW</b>	
<input checked="" type="checkbox"/>	DWG.Customer
<input checked="" type="checkbox"/>	Work Report
<input type="checkbox"/>	Function
<input type="checkbox"/>	สินค้าตรงตัวอย่าง
ผู้ทบทวน _____	
_____	



<b>Model</b>	-ESCENT_NKW_DBS50LGR		
<b>Creator</b>		<b>.BCP Name</b>	INDEX_C3D_KITCHEN2
<b>Reviewer</b>		<b>Order</b>	I003772
<b>Approves</b>		<b>Date</b>	



<b>Model</b>	ESCENT_NKW_DB301RGLSL		
<b>Creator</b>	PASATHORN	<b>.BCP Name</b>	INDEX_C3D_KITCHEN2
<b>Reviewer</b>		<b>Order</b>	I003771
<b>Approves</b>		<b>Date</b>	11/12/2024

## ESCENT\_NKW\_DB301RGLSL-300X570X922

### Colour

20.01=ML.MFI599\_PEARL

05.41=ML FOSS ZILK# BK2 (CROSS METAL)

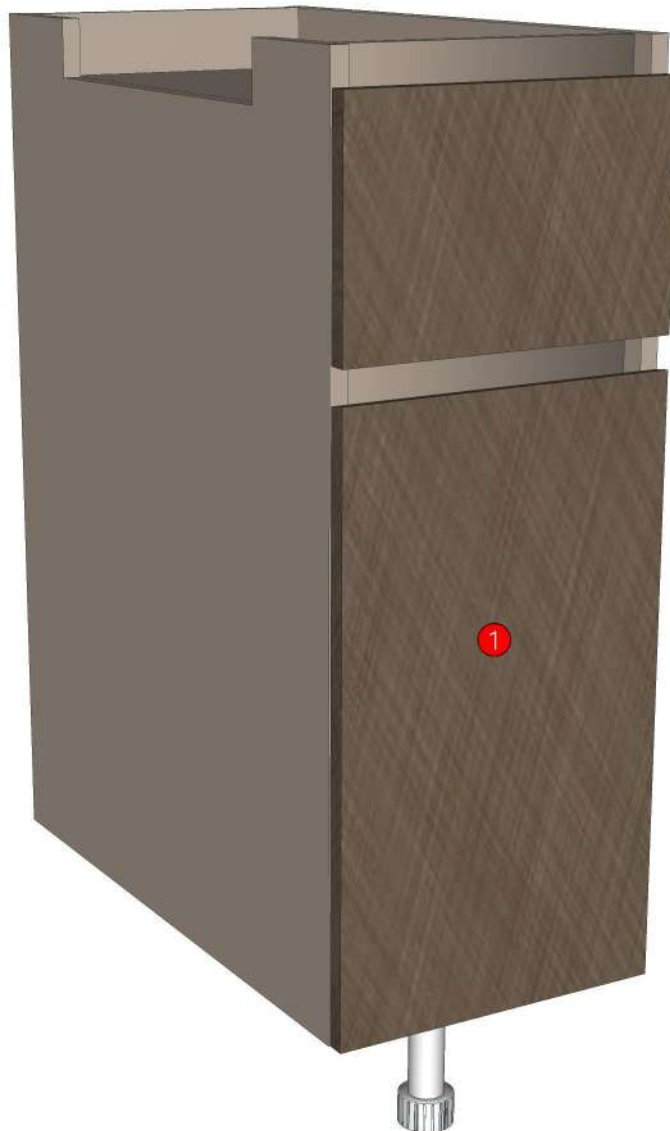
### Edge

01.319=1 MFI599 PEARL

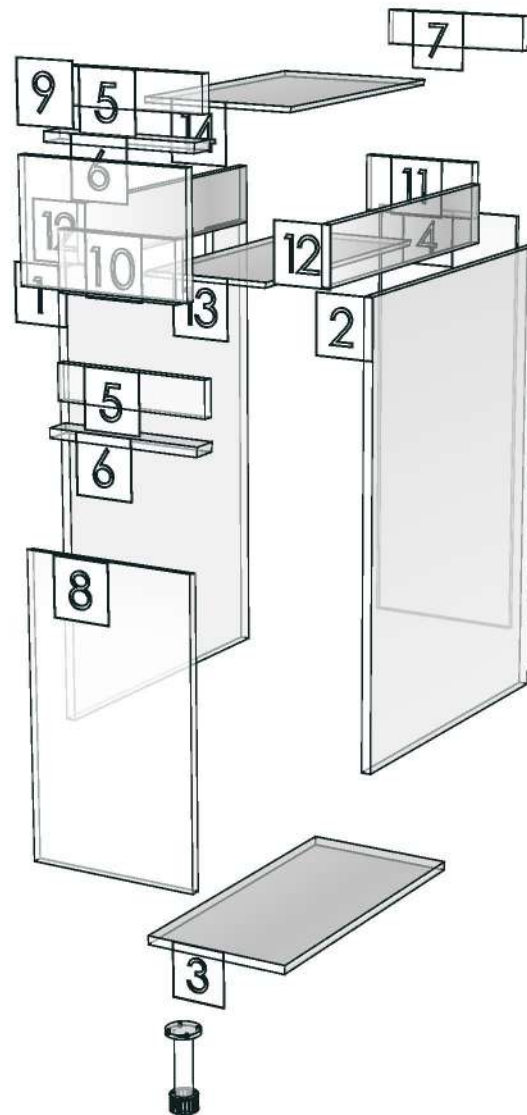
01.299=1 FOSS ZILK BK2 A1285 TH00

K2L-160131628

<b>R&amp;D REVIEW</b>	
<input checked="" type="checkbox"/>	DWG.Customer
<input checked="" type="checkbox"/>	Work Report
<input type="checkbox"/>	Function
<input type="checkbox"/>	สินค้าตรงตัวอย่าง
ผู้ทบทวน _____	
_____	



<b>Model</b>	-ESCENT_NKW_DB301RGLSL		
<b>Creator</b>		<b>.BCP Name</b>	INDEX_C3D_KITCHEN2
<b>Reviewer</b>		<b>Order</b>	I003771
<b>Approves</b>		<b>Date</b>	



<b>Model</b>	ESCENT_NKW_DLMV60L		
<b>Creator</b>	PASATHORN	<b>.BCP Name</b>	INDEX_C3D_KITCHEN2
<b>Reviewer</b>		<b>Order</b>	I003769
<b>Approves</b>		<b>Date</b>	11/12/2024

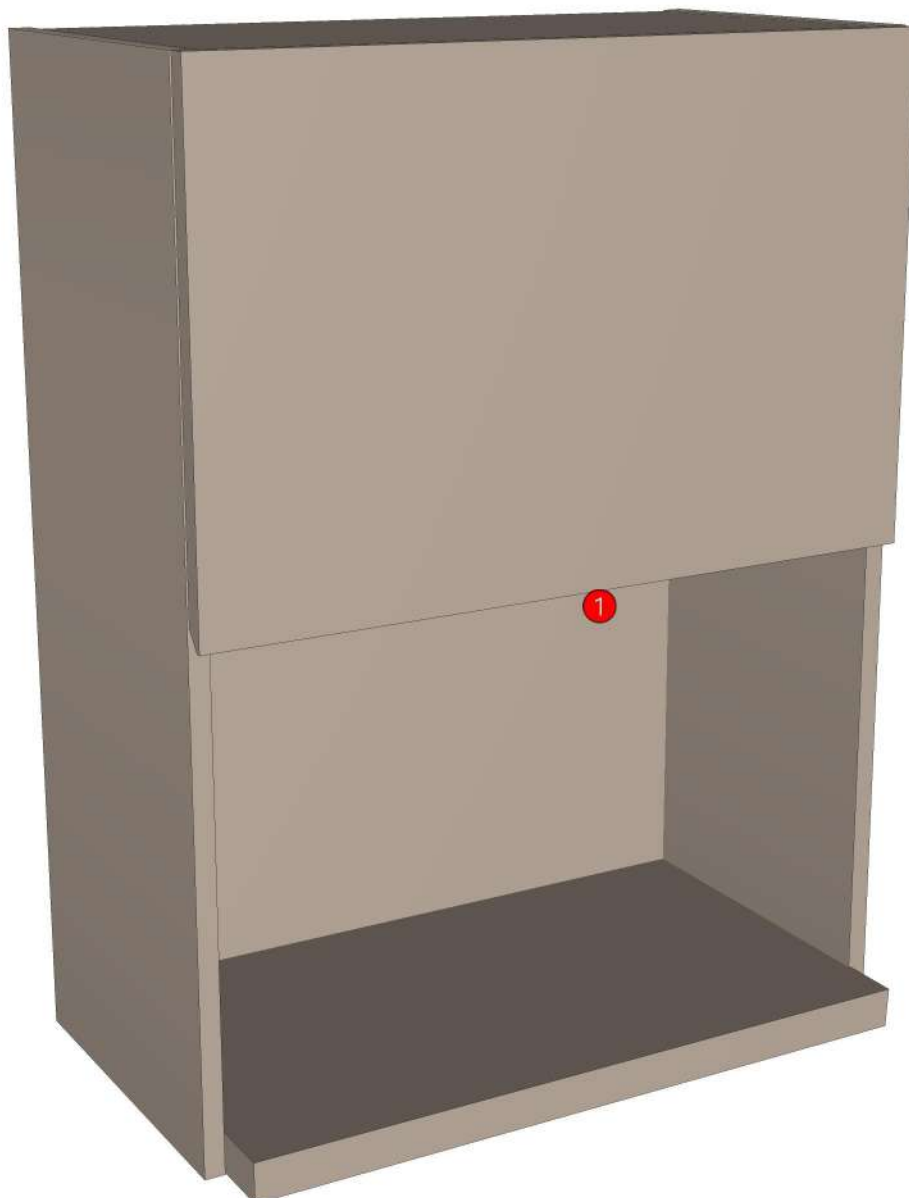
## **ESCENT\_NKW\_DLMV60L-600X350X800**

**Colour**  
20.01=ML.MFI599\_PEARL

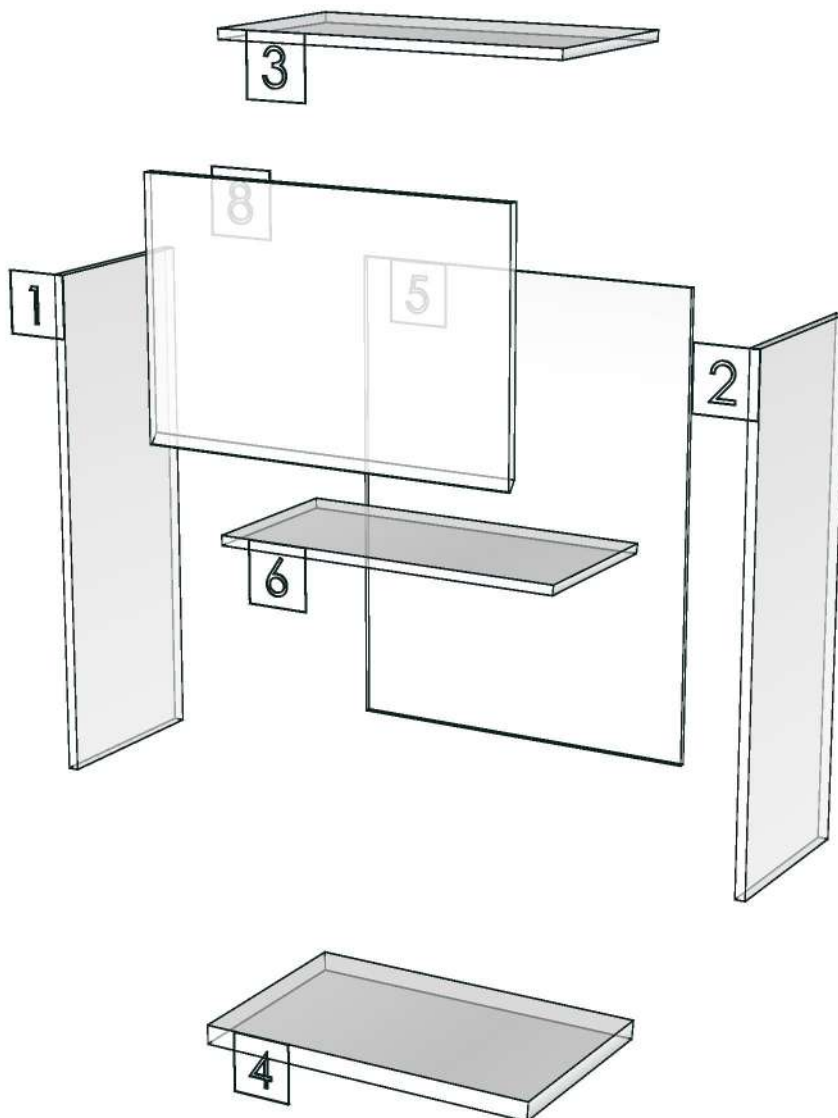
**Edge**  
01.319=1 MFI599 PEARL

K2L-160131628

<b>R&amp;D REVIEW</b>	
<input checked="" type="checkbox"/>	DWG.Customer
<input checked="" type="checkbox"/>	Work Report
<input type="checkbox"/>	Function
<input type="checkbox"/>	สินค้าตรงตัวอย่าง
ผู้ทบทวน _____	
_____	



<b>Model</b>	-ESCENT_NKW_DLMV60L		
<b>Creator</b>		<b>.BCP Name</b>	INDEX_C3D_KITCHEN2
<b>Reviewer</b>		<b>Order</b>	I003769
<b>Approves</b>		<b>Date</b>	



<b>Model</b>	ESCENT_NKW_DL25R		
<b>Creator</b>	PASATHORN	<b>.BCP Name</b>	INDEX_C3D_KITCHEN2
<b>Reviewer</b>		<b>Order</b>	I003765
<b>Approves</b>		<b>Date</b>	11/12/2024

## **ESCENT\_NKW\_DL25R-250X300X640**

**Colour**  
20.01=ML.MFI599\_PEARL

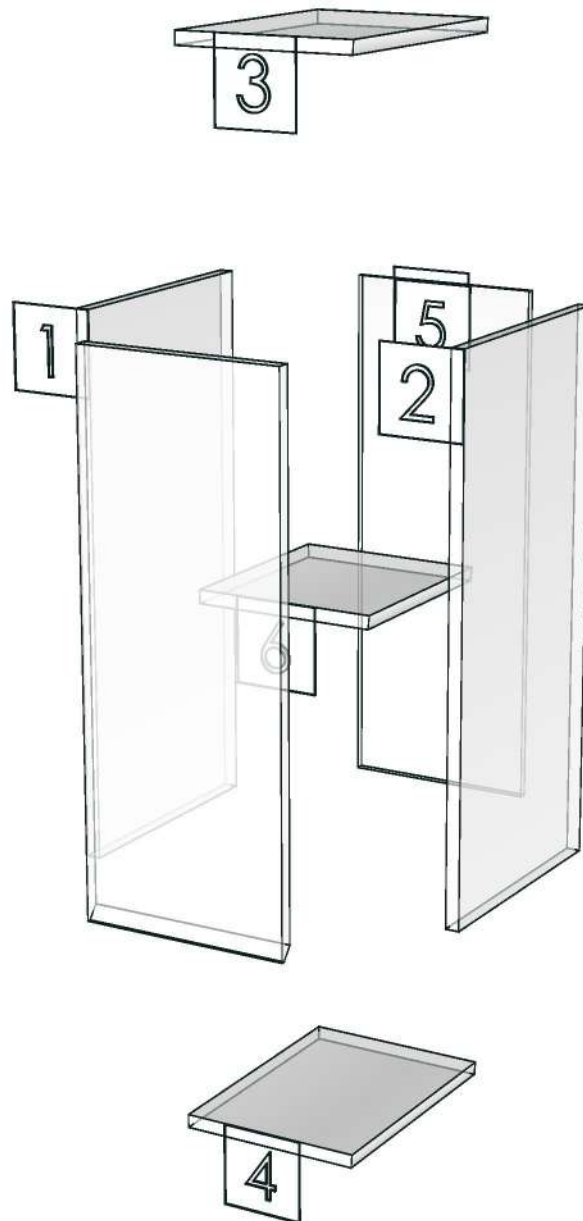
**Edge**  
01.319=1 MFI599 PEARL

K2L-160131628

<b>R&amp;D REVIEW</b>	
<input checked="" type="checkbox"/>	DWG.Customer
<input checked="" type="checkbox"/>	Work Report
<input type="checkbox"/>	Function
<input type="checkbox"/>	สินค้าตรงตัวอย่าง
ผู้ทบทวน _____	
_____	



<b>Model</b>	-ESCENT_NKW_DL25R		
<b>Creator</b>		<b>.BCP Name</b>	INDEX_C3D_KITCHEN2
<b>Reviewer</b>		<b>Order</b>	I003765
<b>Approves</b>		<b>Date</b>	



<b>Model</b>	ESCENT_NKW_DL60HR		
<b>Creator</b>	PASATHORN	<b>.BCP Name</b>	INDEX_C3D_KITCHEN2
<b>Reviewer</b>		<b>Order</b>	I003767
<b>Approves</b>		<b>Date</b>	11/12/2024

## ESCENT\_NKW\_DL60HR-600X300X600

**Colour**

20.01=ML.MFI599\_PEARL

**Edge**

01.319=1 MFI599 PEARL

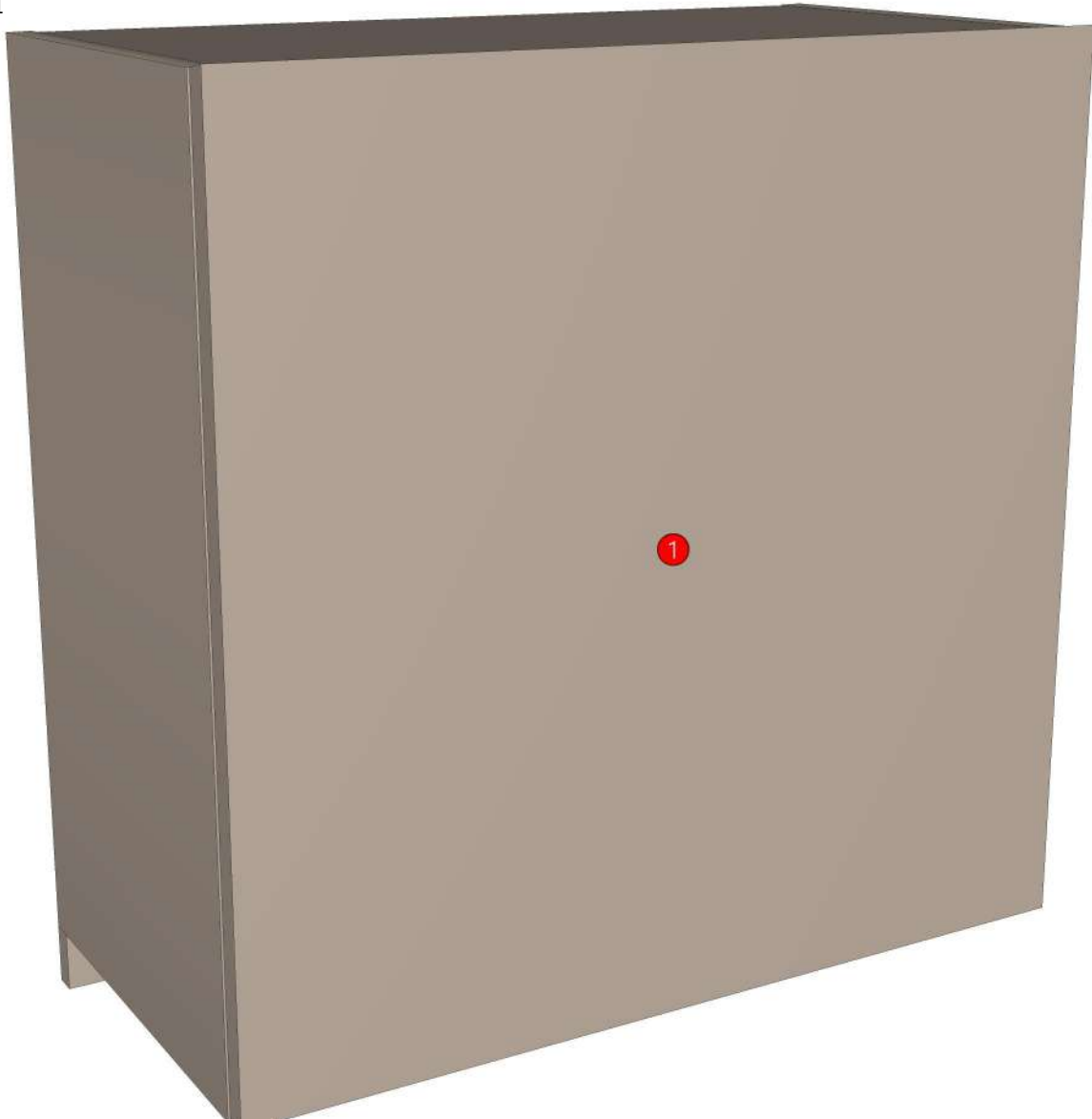
K1L-160152076

K2L-160131628

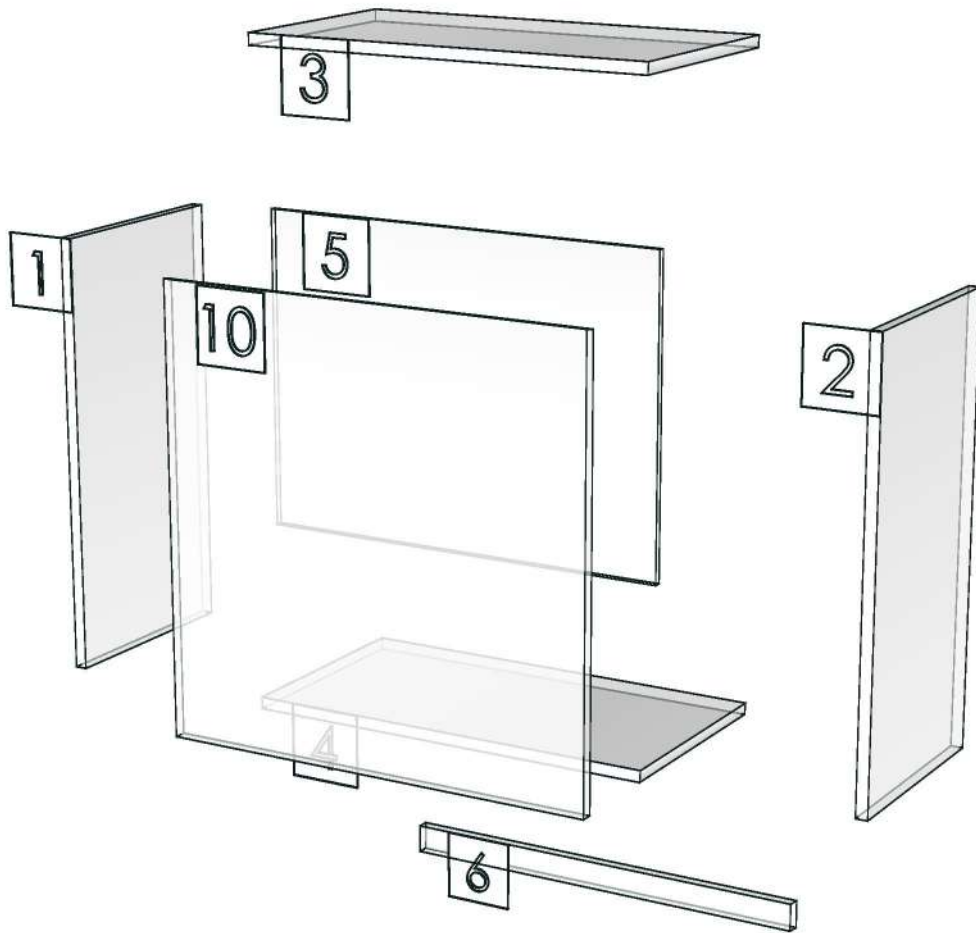
K7L-160152111

K8L-160152121

<b>R&amp;D REVIEW</b>	
<input checked="" type="checkbox"/>	DWG.Customer
<input checked="" type="checkbox"/>	Work Report
<input type="checkbox"/>	Function
<input type="checkbox"/>	สินค้าตรงตัวอย่าง
ผู้ทบทวน _____	
_____	



<b>Model</b>	-ESCENT_NKW_DL60HR		
<b>Creator</b>		<b>.BCP Name</b>	INDEX_C3D_KITCHEN2
<b>Reviewer</b>		<b>Order</b>	I003767
<b>Approves</b>		<b>Date</b>	



<b>Model</b>	ESCENT_NKW_D_FLR650S		
<b>Creator</b>	PASATHORN	<b>.BCP Name</b>	INDEX_C3D_KITCHEN2
<b>Reviewer</b>		<b>Order</b>	I003763
<b>Approves</b>		<b>Date</b>	11/12/2024

## ESCENT\_NKW\_D\_FLR650S-650X570X60

**Colour**  
20.01=ML.MFI599\_PEARL

**Edge**  
01.319=1 MFI599 PEARL

<b>R&amp;D REVIEW</b>	
<input checked="" type="checkbox"/>	DWG.Customer
<input checked="" type="checkbox"/>	Work Report
<input type="checkbox"/>	Function
<input type="checkbox"/>	สินค้าตรงตัวอย่าง
ผู้ทบทวน _____	
_____	

K1L-160152076

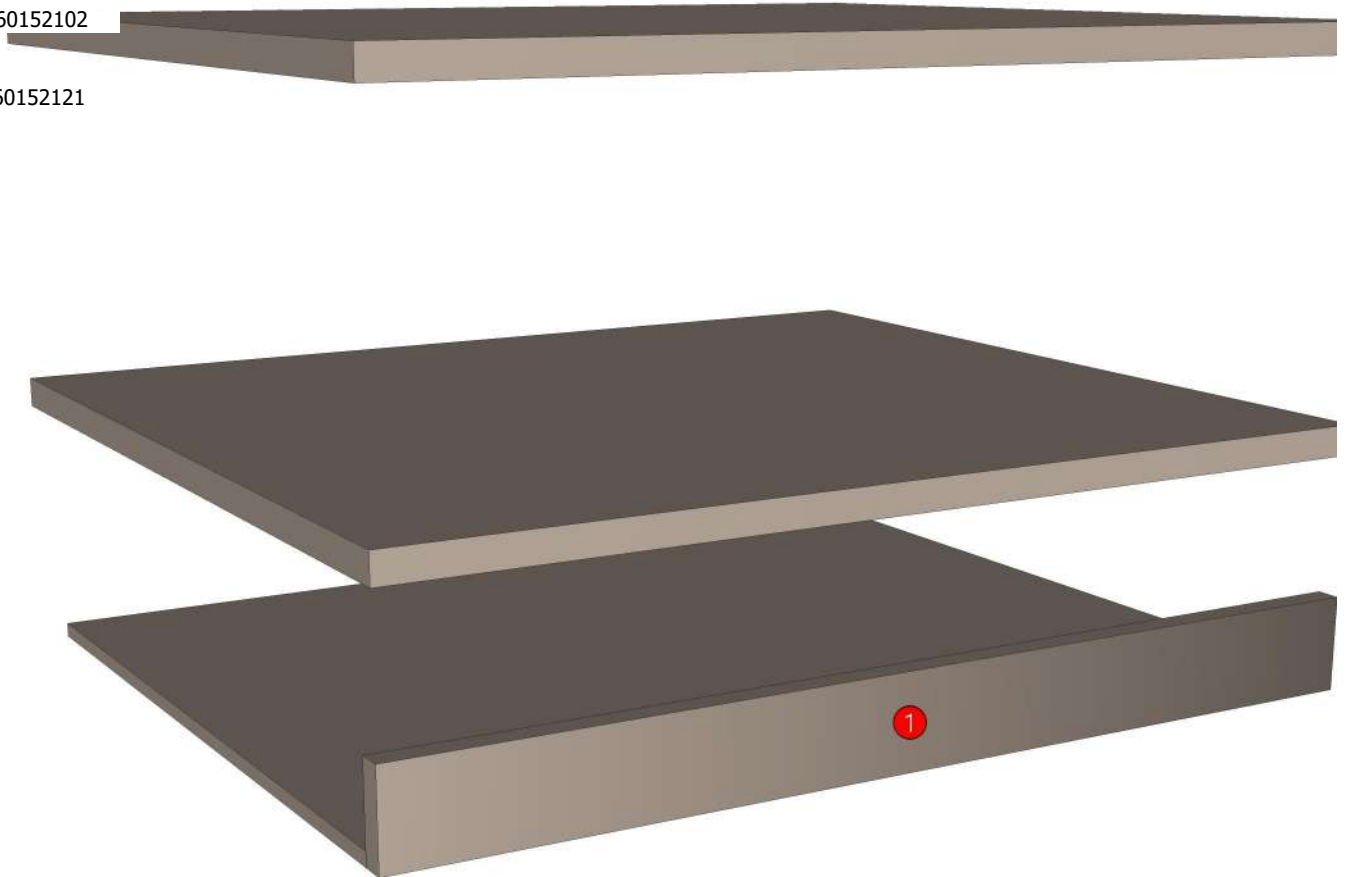
K2L-160131628

K2R-160152084

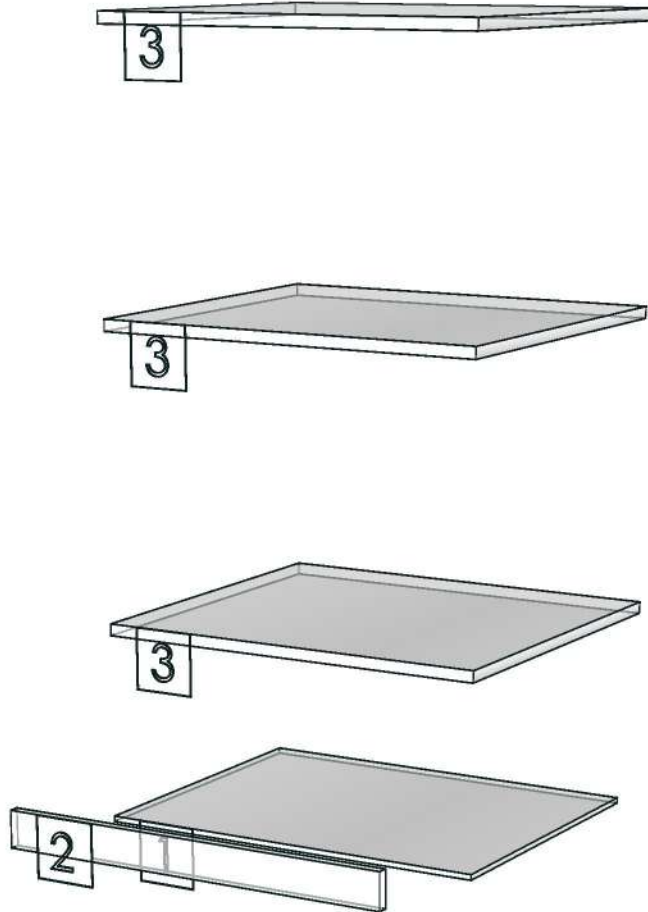
K4R-160152093

K5R-160152102

K8L-160152121



<b>Model</b>	-ESCENT_NKW_D_FLR650S		
<b>Creator</b>		<b>.BCP Name</b>	INDEX_C3D_KITCHEN2
<b>Reviewer</b>		<b>Order</b>	I003763
<b>Approves</b>		<b>Date</b>	



<b>Model</b>	ESCENT_NKW_DFB		
<b>Creator</b>	PASATHORN	<b>.BCP Name</b>	INDEX_C3D_KITCHEN2
<b>Reviewer</b>		<b>Order</b>	I003760
<b>Approves</b>		<b>Date</b>	11/12/2024

## ESCENT\_NKW\_DFB-150X16X772

**Colour**

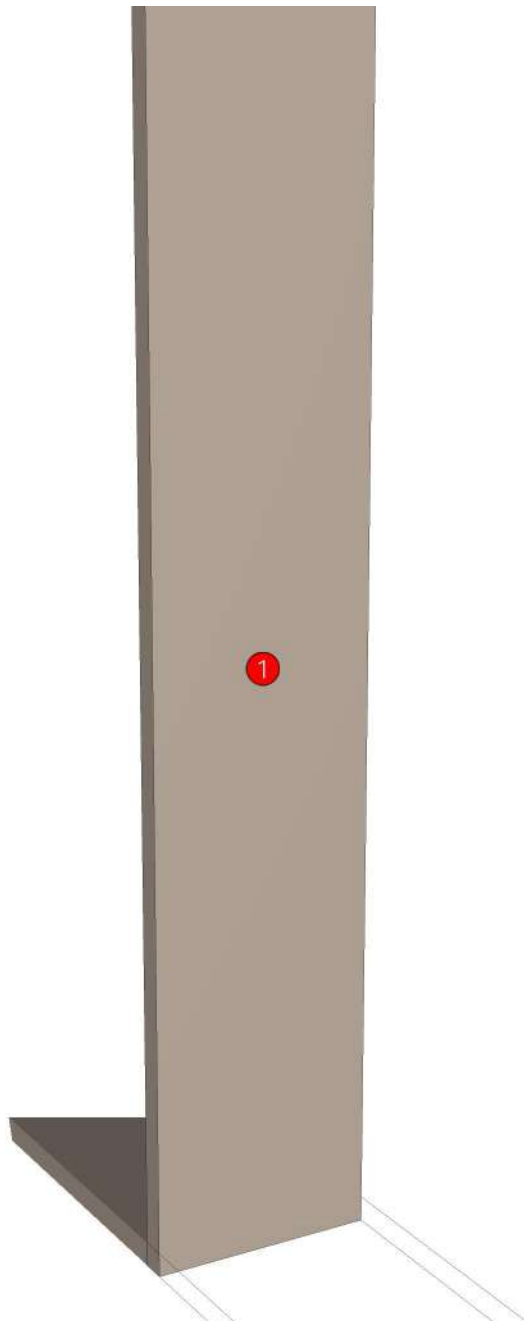
20.01=ML.MFI599\_PEARL

**Edge**

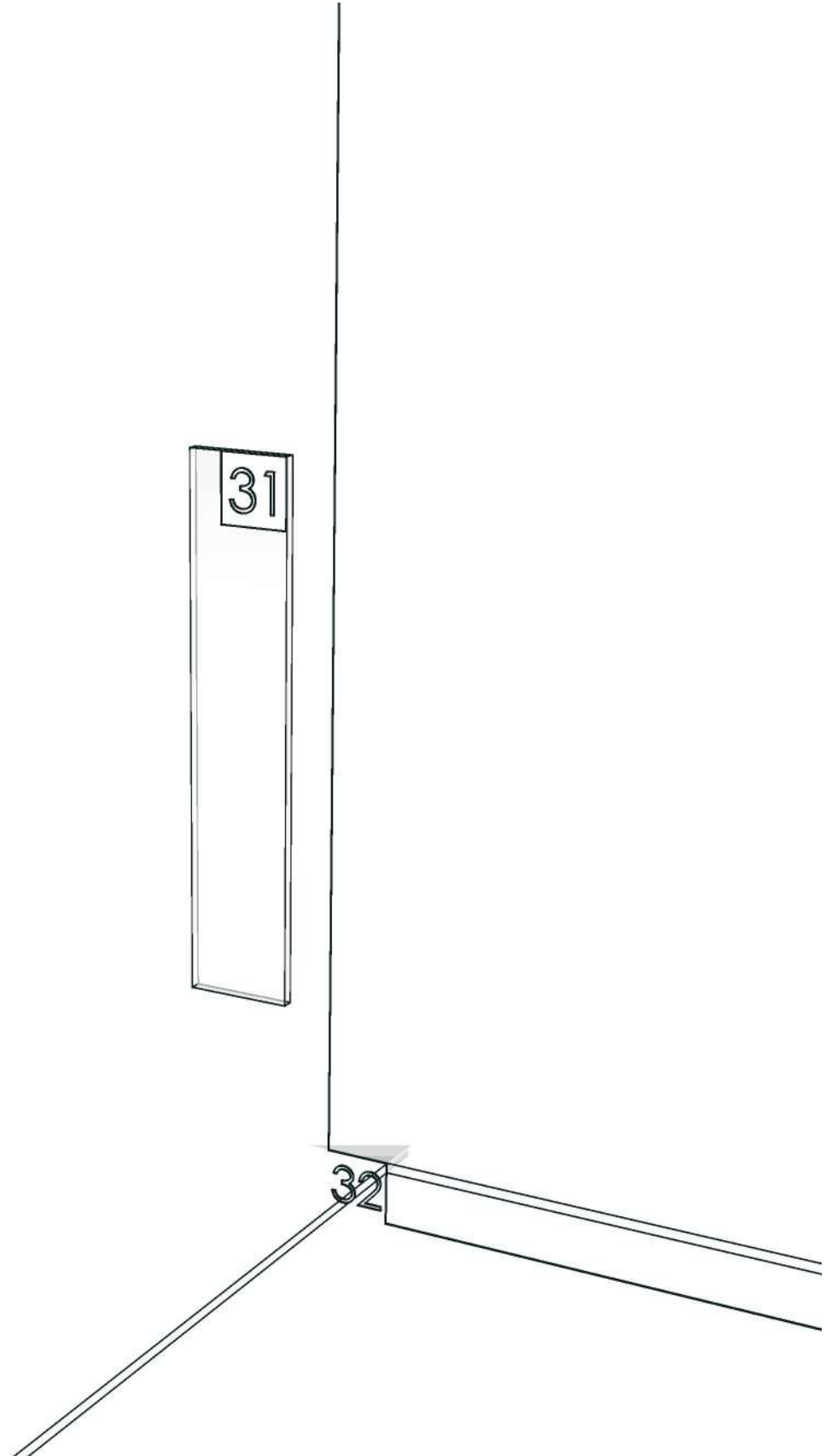
01.319=1 MFI599 PEARL

- K1L-160152076
- K2L-160131628
- K2R-160152084
- K3R-160131637
- K4R-160152093
- K5R-160152102
  
- K8L-160152121

<b>R&amp;D REVIEW</b>	
<input checked="" type="checkbox"/>	DWG.Customer
<input checked="" type="checkbox"/>	Work Report
<input type="checkbox"/>	Function
<input type="checkbox"/>	สินค้าตรงตัวอย่าง
ผู้ทบทวน _____	
_____	



<b>Model</b>	-ESCENT_NKW_DFB		
<b>Creator</b>		<b>.BCP Name</b>	INDEX_C3D_KITCHEN2
<b>Reviewer</b>		<b>Order</b>	I003760
<b>Approves</b>		<b>Date</b>	



<b>Model</b>	ESCENT_NKW_DFLMV		
<b>Creator</b>	PASATHORN	<b>.BCP Name</b>	INDEX_C3D_KITCHEN2
<b>Reviewer</b>		<b>Order</b>	I003762
<b>Approves</b>		<b>Date</b>	11/12/2024

## **ESCENT\_NKW\_DFLMV-150X16X800**

**Colour**

20.01=ML.MFI599\_PEARL

**Edge**

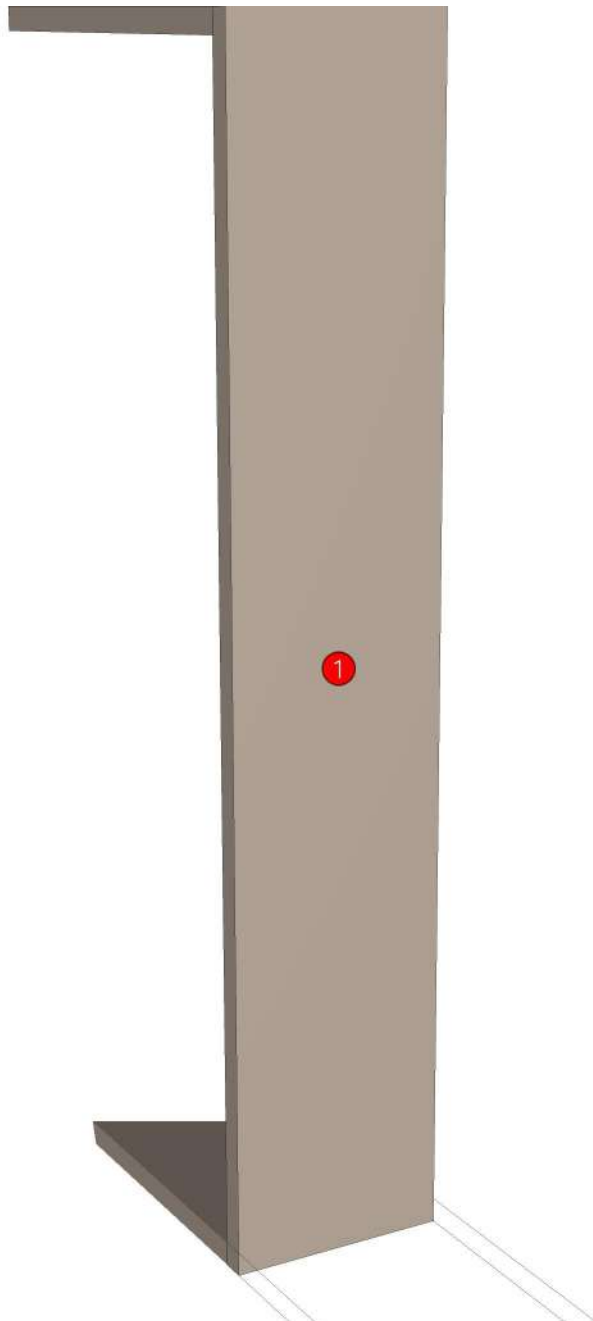
01.319=1 MFI599 PEARL

K1L-160152076

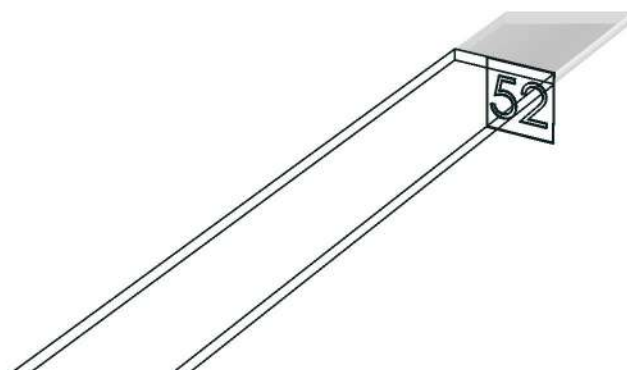
K2L-160131628

K2R-160152084

<b>R&amp;D REVIEW</b>	
<input checked="" type="checkbox"/>	DWG.Customer
<input checked="" type="checkbox"/>	Work Report
<input type="checkbox"/>	Function
<input type="checkbox"/>	สินค้าตรงตัวอย่าง
ผู้ทบทวน _____	
_____	



<b>Model</b>	-ESCENT_NKW_DFLMV		
<b>Creator</b>		<b>.BCP Name</b>	INDEX_C3D_KITCHEN2
<b>Reviewer</b>		<b>Order</b>	I003762
<b>Approves</b>		<b>Date</b>	



<b>Model</b>	ESCENT_NKW_DF_CL1550		
<b>Creator</b>	PASATHORN	<b>.BCP Name</b>	INDEX_C3D_KITCHEN2
<b>Reviewer</b>		<b>Order</b>	I003758
<b>Approves</b>		<b>Date</b>	11/12/2024

## ESCENT\_NKW\_DF\_CL1550-1550X16X330

**Colour**

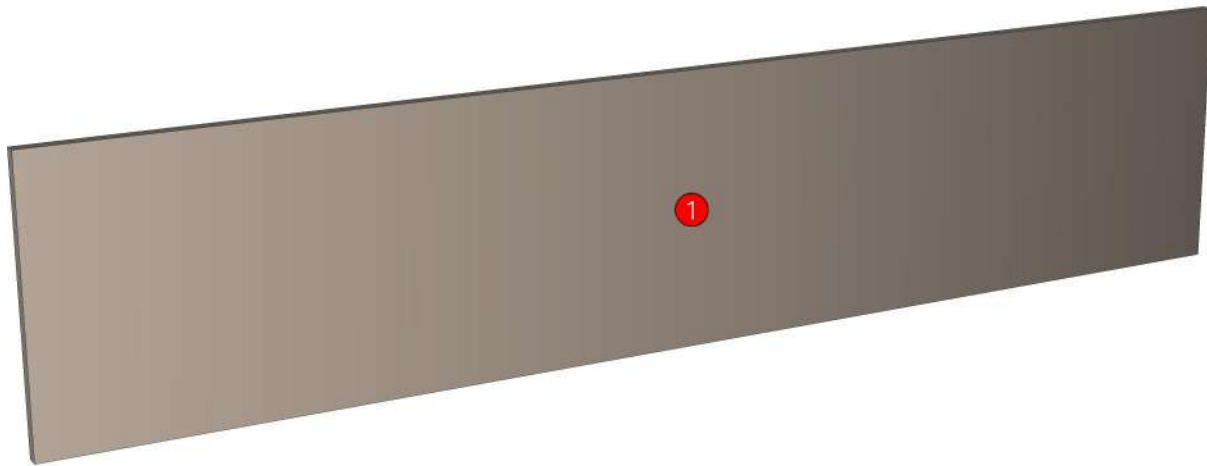
20.01=ML.MFI599\_PEARL

**Edge**

01.319=1 MFI599 PEARL

K2L-160131628  
K2R-160152084  
K3R-160131637  
K4R-160152093

<b>R&amp;D REVIEW</b>	
<input checked="" type="checkbox"/>	DWG.Customer
<input checked="" type="checkbox"/>	Work Report
<input type="checkbox"/>	Function
<input type="checkbox"/>	สินค้าจริงตัวอย่าง
ผู้ทบทวน _____	
_____	



<b>Model</b>	ESCENT_NKW_DF_CL525		
<b>Creator</b>	PASATHORN	<b>.BCP Name</b>	INDEX_C3D_KITCHEN2
<b>Reviewer</b>		<b>Order</b>	I003756
<b>Approves</b>		<b>Date</b>	11/12/2024

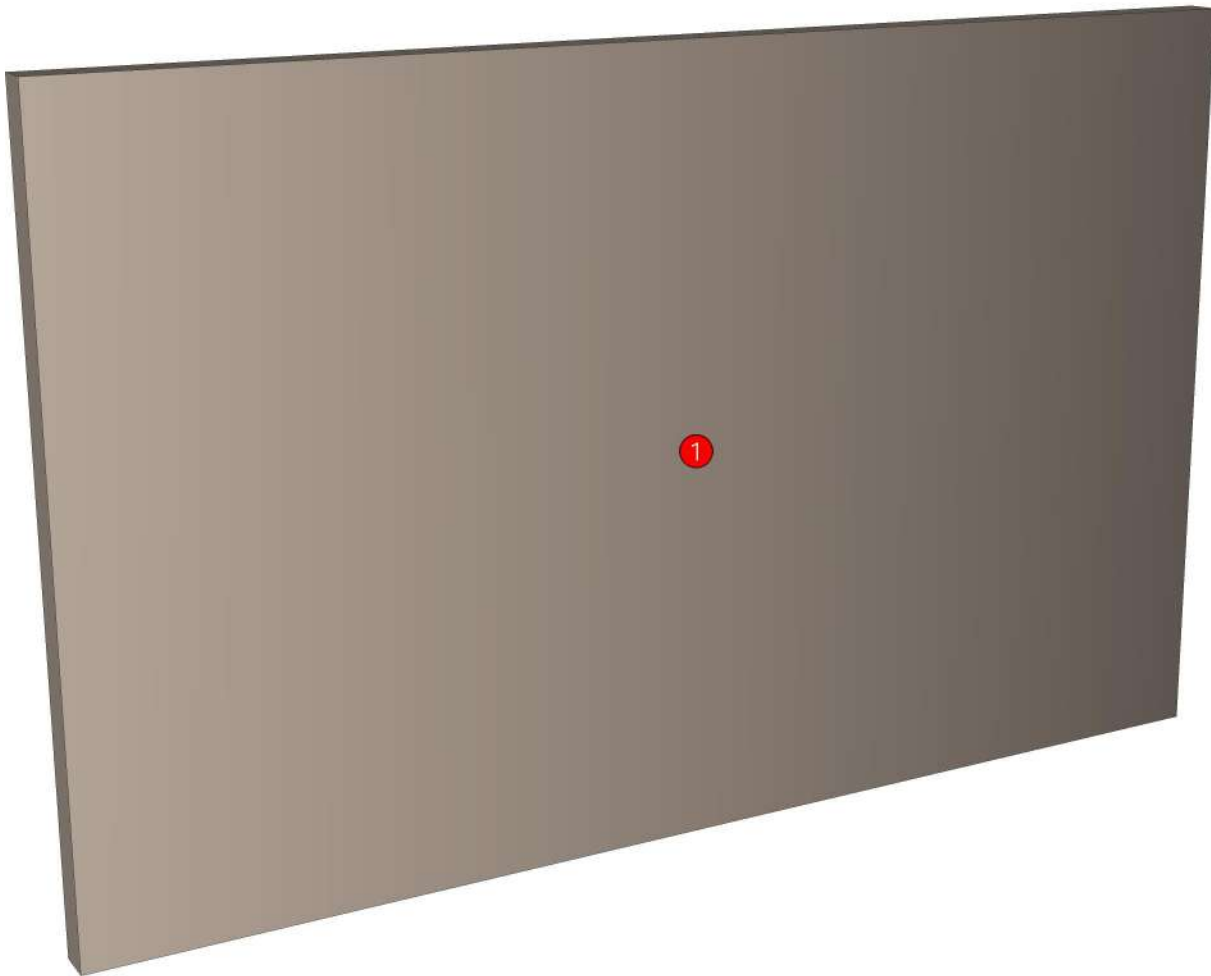
## **ESCENT\_NKW\_DF\_CL525-525X16X330**

**Colour**  
20.01=ML.MFI599\_PEARL

**Edge**  
01.319=1 MFI599 PEARL

K2L-160131628  
K2R-160152084  
K3R-160131637

<b>R&amp;D REVIEW</b>	
<input checked="" type="checkbox"/>	DWG.Customer
<input checked="" type="checkbox"/>	Work Report
<input type="checkbox"/>	Function
<input type="checkbox"/>	สินค้าตรงตัวอย่าง
ผู้ทบทวน _____	
_____	



<b>Model</b>	ESCENT_NKW_DUT1550		
<b>Creator</b>	PASATHORN	<b>.BCP Name</b>	INDEX_C3D_KITCHEN2
<b>Reviewer</b>		<b>Order</b>	I003753
<b>Approves</b>		<b>Date</b>	11/12/2024

## ESCENT\_NKW\_DUT1550-1550X60X9

**Colour**

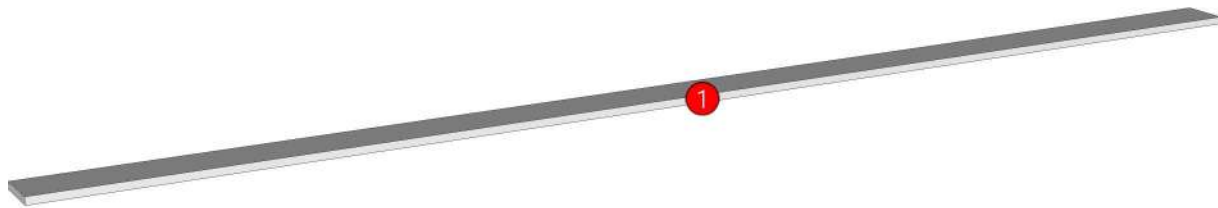
05.01=ML WHITE VM1012 18/18

**Edge**

01.47=1 WHITE

K2L-160131628  
K2R-160152084  
K3R-160131637  
K4R-160152093

<b>R&amp;D REVIEW</b>	
<input checked="" type="checkbox"/>	DWG.Customer
<input checked="" type="checkbox"/>	Work Report
<input type="checkbox"/>	Function
<input type="checkbox"/>	สินค้าตรงตัวอย่าง
ผู้ทบทวน _____	
_____	



<b>Model</b>	ESCENT_NKW_DUT500		
<b>Creator</b>	PASATHORN	<b>.BCP Name</b>	INDEX_C3D_KITCHEN2
<b>Reviewer</b>		<b>Order</b>	I003751
<b>Approves</b>		<b>Date</b>	11/12/2024

## ESCENT\_NKW\_DUT500-500X60X9

**Colour**

05.01=ML WHITE VM1012 18/18

**Edge**

01.47=1 WHITE

- K1L-160152076
- K2L-160131628
- K2R-160152084
- K3R-160131637
- K4R-160152093
- K5R-160152102
- K7L-160152111
- K8L-160152121

<b>R&amp;D REVIEW</b>	
<input checked="" type="checkbox"/>	DWG.Customer
<input checked="" type="checkbox"/>	Work Report
<input type="checkbox"/>	Function
<input type="checkbox"/>	สินค้าตรงตัวอย่าง
ผู้ทบทวน _____	
_____	

