

<b>Model</b>	ESCENT_SRT_DBS50LGR		
<b>Creator</b>	PASATHORN	<b>.BCP Name</b>	INDEX_C3D_KITCHEN2
<b>Reviewer</b>		<b>Order</b>	I002548
<b>Approves</b>		<b>Date</b>	04/01/67

## **ESCENT\_SRT\_DBS50LGR-500X570X922**

**Colour**

20.24=ML AE9V (PEARL)  
20.10=ML.CORNWALL OAK # AV7 (WOODRIFT)

**Edge**

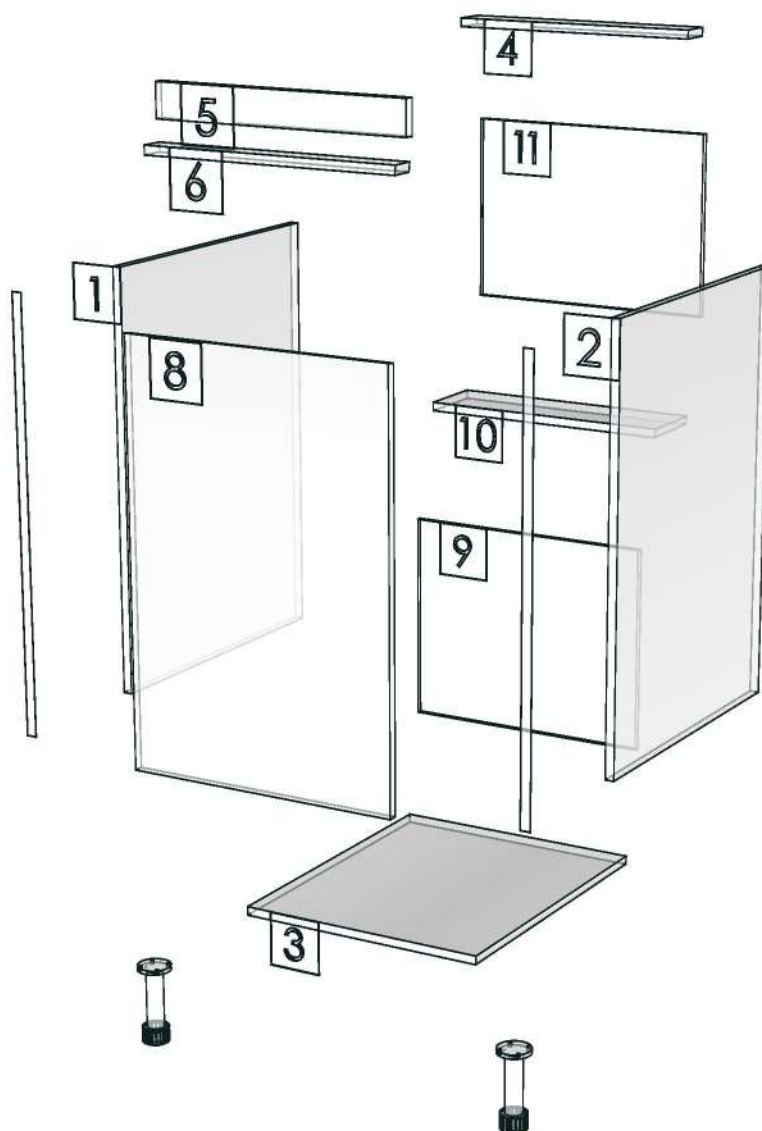
01.47=1 WHITE  
01.160=1 CORNWALL OAK AV7  
01.24=0.6 WHITE

K1L-160129566

K2L-160127445



<b>Model</b>	-ESCENT_SRT_DBS50LGR		
<b>Creator</b>		<b>.BCP Name</b>	INDEX_C3D_KITCHEN2
<b>Reviewer</b>		<b>Order</b>	I002548
<b>Approves</b>		<b>Date</b>	



<b>Model</b>	ESCENT_SRT_DB20RGLSL		
<b>Creator</b>	PASATHORN	<b>.BCP Name</b>	INDEX_C3D_KITCHEN2
<b>Reviewer</b>		<b>Order</b>	I002688
<b>Approves</b>		<b>Date</b>	12/10/2023

## **ESCENT\_SRT\_DB20RGLSL-200X570X922**

**Colour**

20.24=ML AE9V (PEARL)

20.10=ML.CORNWALL OAK # AV7 (WOODRIFT)

**Edge**

01.47=1 WHITE

01.160=1 CORNWALL OAK AV7

K1L-160129566



<b>Model</b>	-ESCENT_SRT_DB20RGLSL		
<b>Creator</b>		<b>.BCP Name</b>	INDEX_C3D_KITCHEN2
<b>Reviewer</b>		<b>Order</b>	I002688
<b>Approves</b>		<b>Date</b>	



<b>Model</b>	ESCENT_SRT_DLMV75L		
<b>Creator</b>	PASATHORN	<b>.BCP Name</b>	INDEX_C3D_KITCHEN2
<b>Reviewer</b>		<b>Order</b>	I002689
<b>Approves</b>		<b>Date</b>	12/10/2023

## ESCENT\_SRT\_DLMV75L-750X350X800

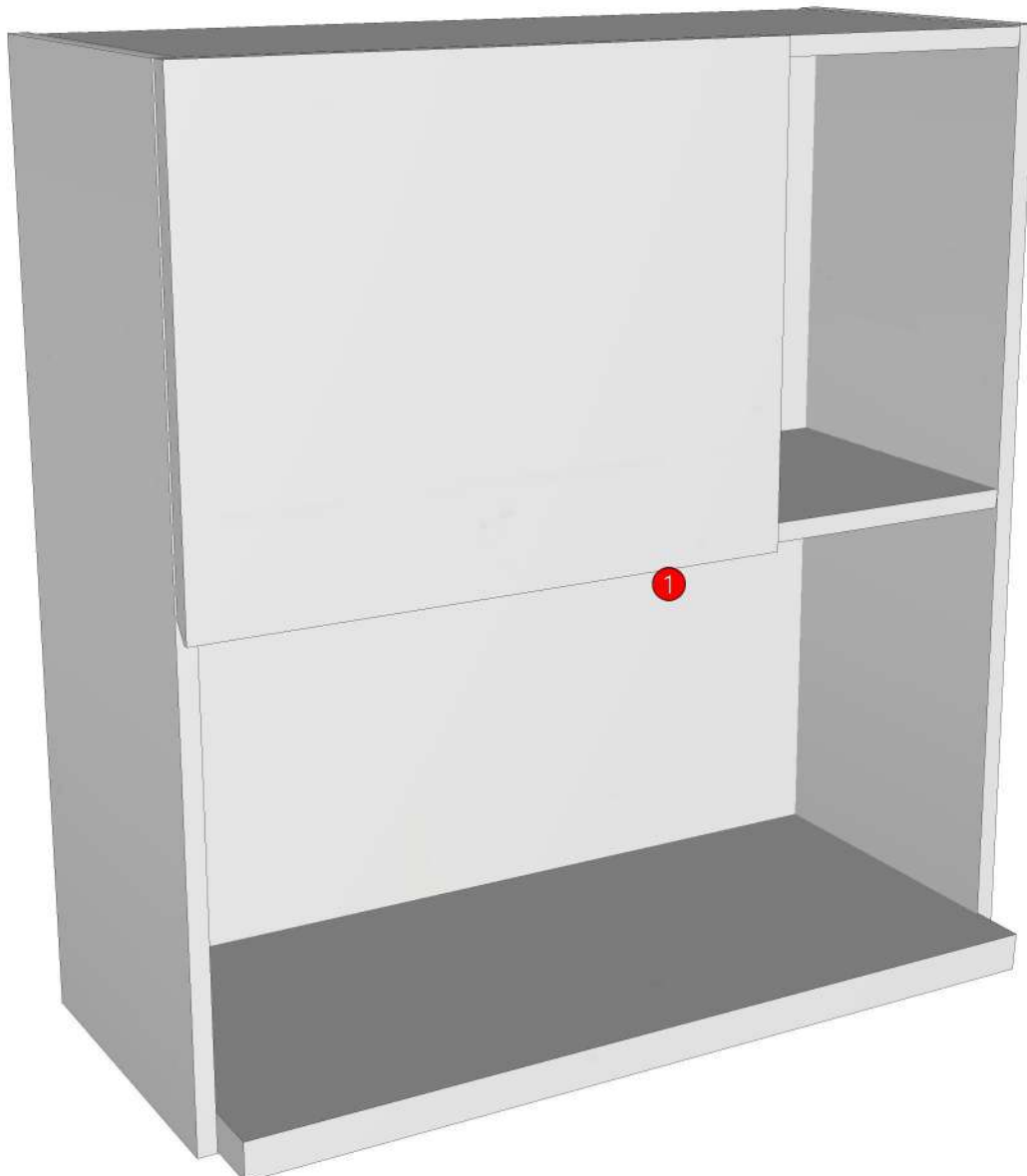
**Colour**

20.24=ML AE9V (PEARL)

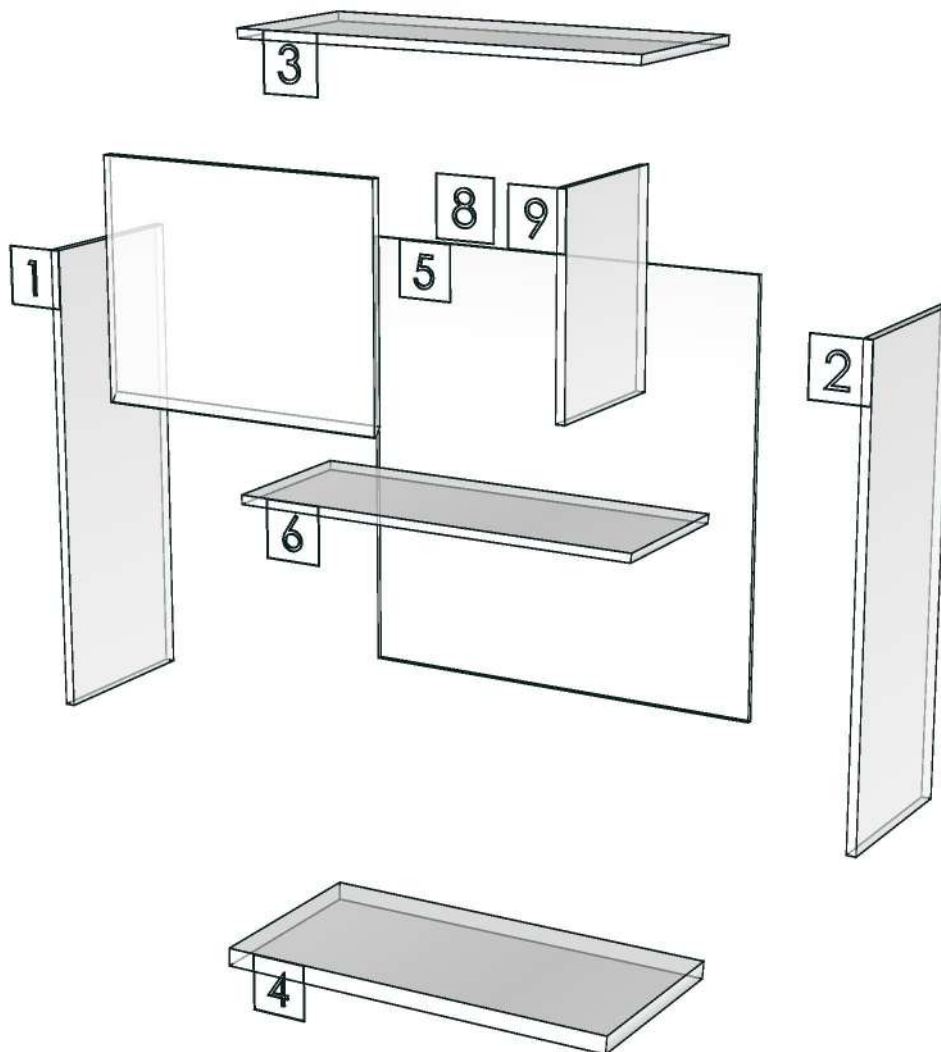
**Edge**

01.47=1 WHITE

K1L-160129566



<b>Model</b>	-ESCENT_SRT_DLMV75L		
<b>Creator</b>		<b>.BCP Name</b>	INDEX_C3D_KITCHEN2
<b>Reviewer</b>		<b>Order</b>	I002689
<b>Approves</b>		<b>Date</b>	



<b>Model</b>	ESCENT_SRT_DL60HR		
<b>Creator</b>	PASATHORN	<b>.BCP Name</b>	INDEX_C3D_KITCHEN2
<b>Reviewer</b>		<b>Order</b>	I002546
<b>Approves</b>	P.SAWAI	<b>Date</b>	06/09/2023

## ESCENT\_SRT\_DL60HR-600X300X600

**Colour**

20.24=ML AE9V (PEARL)

**Edge**

01.47=1 WHITE

K1L-160129566

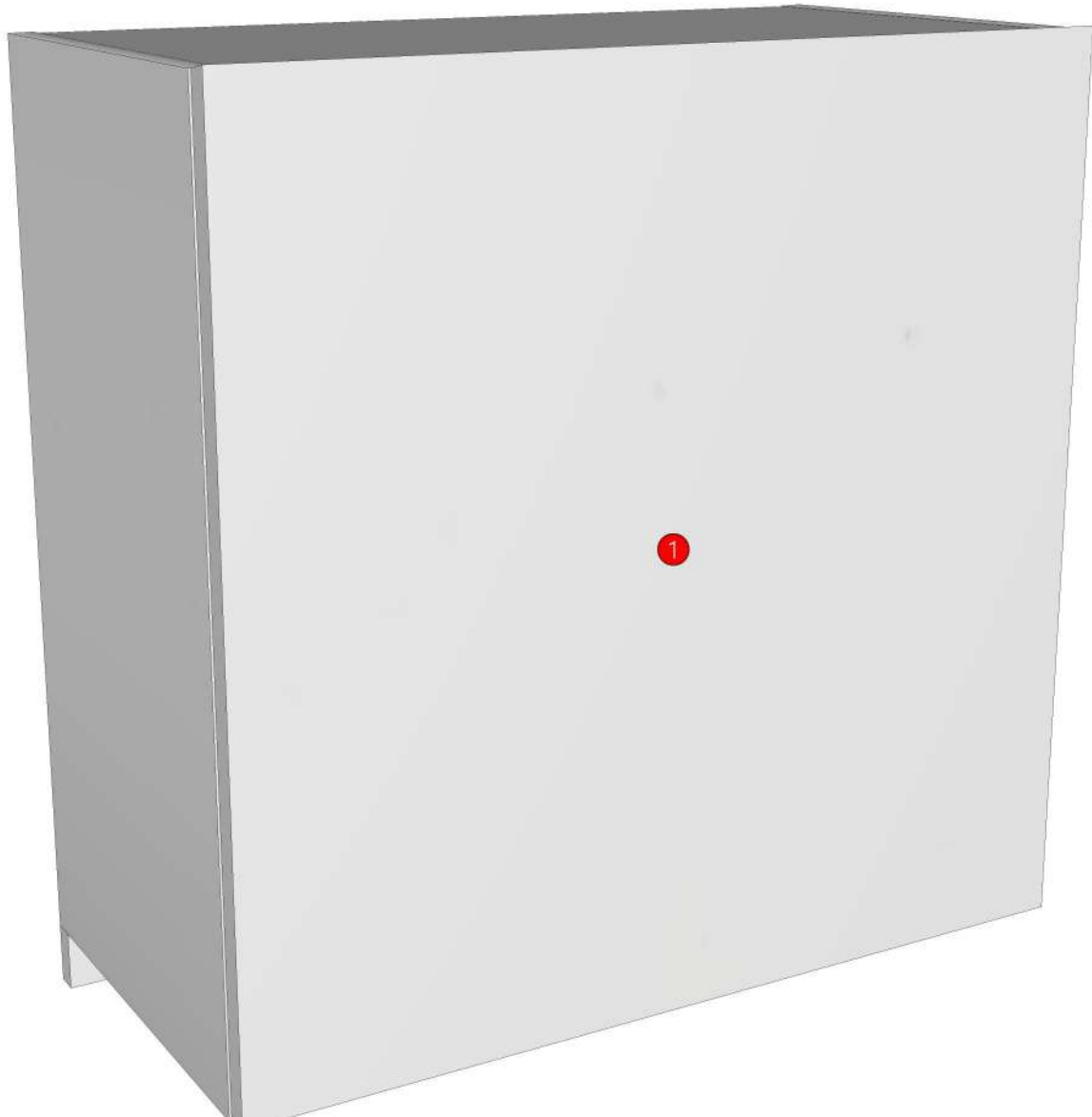


K11L-160127496

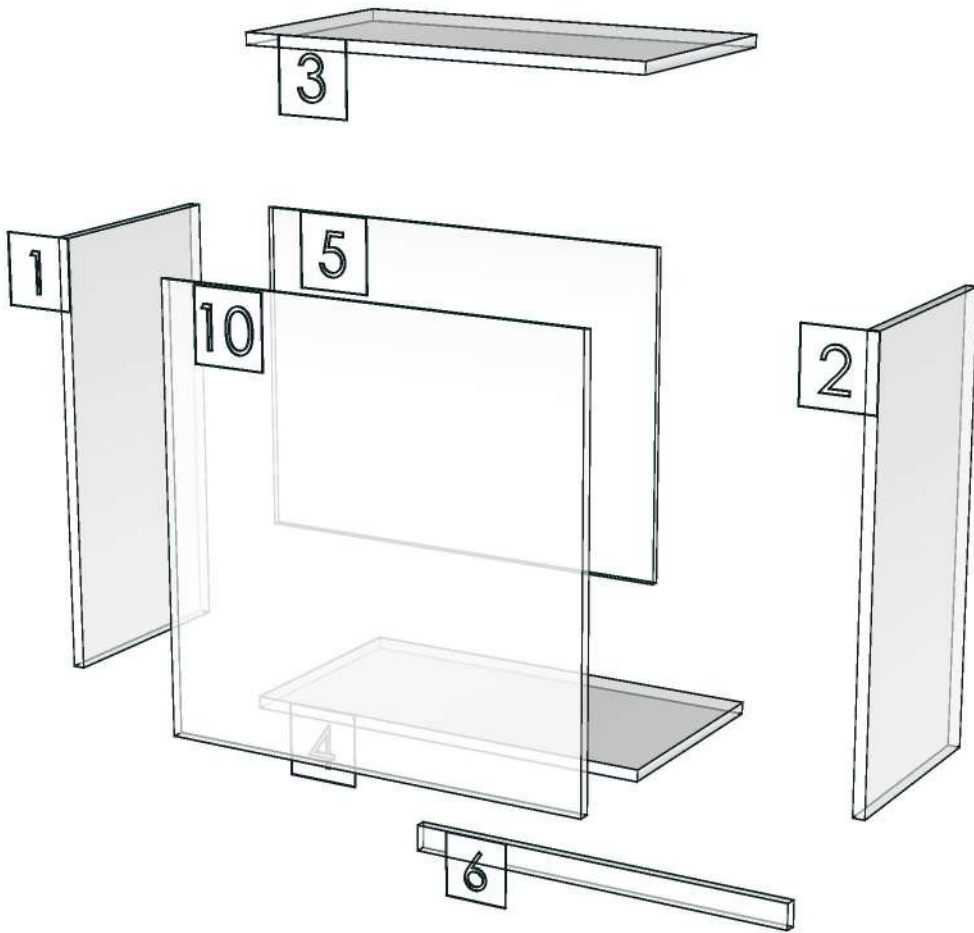
K2L-160127445

K5L-160127467

<b>R&amp;D REVIEW</b>	
<input checked="" type="checkbox"/>	DWG.Customer
<input checked="" type="checkbox"/>	Work Report
<input type="checkbox"/>	Function
<input type="checkbox"/>	สินค้าตรงตัวอย่าง
ผู้ทบทวน P.SAWAI	
[Signature]	



<b>Model</b>	-ESCENT_SRT_DL60HR		
<b>Creator</b>		<b>.BCP Name</b>	INDEX_C3D_KITCHEN2
<b>Reviewer</b>		<b>Order</b>	I002546
<b>Approves</b>		<b>Date</b>	



<b>Model</b>	ESCENT_SRT_D_FLR650S		
<b>Creator</b>	PASATHORN	<b>.BCP Name</b>	INDEX_C3D_KITCHEN2
<b>Reviewer</b>		<b>Order</b>	I001058
<b>Approves</b>	P.SAWAI	<b>Date</b>	07/06/2022

## ESCENT\_SRT\_D\_FLR650S-650X570X60

**Colour**

20.24=ML AE9V (PEARL)

20.10=ML.CORNWALL OAK # AV7 (WOODRIFT)

K1L-160129566

K1R-160127437

K2L-160127445

K2R-160099797



**Edge**

01.47=1 WHITE

01.160=1 CORNWALL OAK AV7

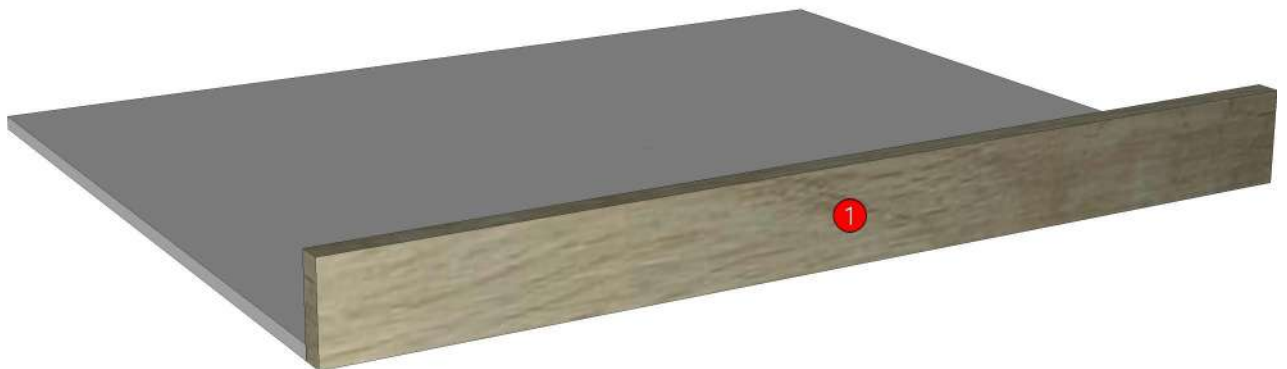
**R&D REVIEW**

- DWG.Customer
- Work Report
- Function
- สินค้าตรงตัวอย่าง

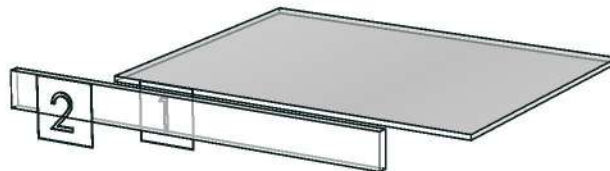
ผู้ทบทวน P.SAWAI

07/06/2022

K10R-160127487



<b>Model</b>	-ESCENT_SRT_D_FLR650S		
<b>Creator</b>		<b>.BCP Name</b>	INDEX_C3D_KITCHEN2
<b>Reviewer</b>		<b>Order</b>	I001058
<b>Approves</b>		<b>Date</b>	



<b>Model</b>	ESCENT_SRT_DFB		
<b>Creator</b>	PASATHORN	<b>.BCP Name</b>	INDEX_C3D_KITCHEN2
<b>Reviewer</b>		<b>Order</b>	I001055
<b>Approves</b>	P.SAWAI	<b>Date</b>	06/06/2022

## ESCENT\_SRT\_DFB-150X16X772

### Colour

20.24=ML AE9V (PEARL)  
20.10=ML.CORNWALL OAK # AV7 (WOODRIFT)

### Edge

01.47=1 WHITE  
01.160=1 CORNWALL OAK AV7

K1L-160129566	K11L-160127496
K1R-160127437	K12L-160134141
K2L-160127445	K40R-160134494
K2R-160099797	
K3R-160099808	
K4R-160127454	
K5L-160127467	
K5R-160127477	
K7R-160134210	
K10R-160127487	



**R&D REVIEW**

DWG.Customer

Work Report

Function

สินค้าตรงตัวอย่าง

ผู้ทบทวน P.SAWAI

06/06/2022

<b>Model</b>	-ESCENT_SRT_DFB		
<b>Creator</b>		<b>.BCP Name</b>	INDEX_C3D_KITCHEN2
<b>Reviewer</b>		<b>Order</b>	I001055
<b>Approves</b>		<b>Date</b>	



<b>Model</b>	ESCENT_SRT_DFLMV		
<b>Creator</b>	PASATHORN	<b>.BCP Name</b>	INDEX_C3D_KITCHEN2
<b>Reviewer</b>		<b>Order</b>	I001057
<b>Approves</b>	P.SAWAI	<b>Date</b>	06/06/2022

## ESCENT\_SRT\_DFLMV-150X16X800

### Colour

20.24=ML AE9V (PEARL)

### Edge

01.47=1 WHITE

<b>R&amp;D REVIEW</b>	
<input checked="" type="checkbox"/>	DWG.Customer
<input checked="" type="checkbox"/>	Work Report
<input type="checkbox"/>	Function
<input type="checkbox"/>	สินค้าตรงตัวอย่าง
ผู้ทบทวน P.SAWAI	
06/06/2022	

คลิก K7R-160127421

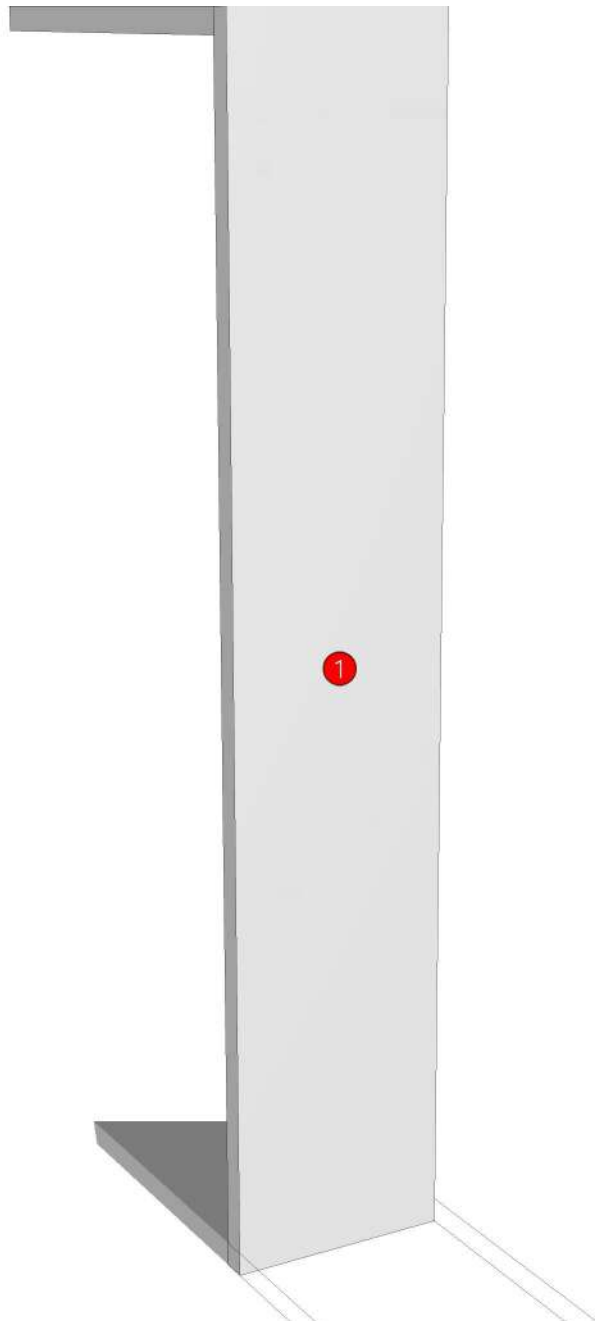


K1L-160129566

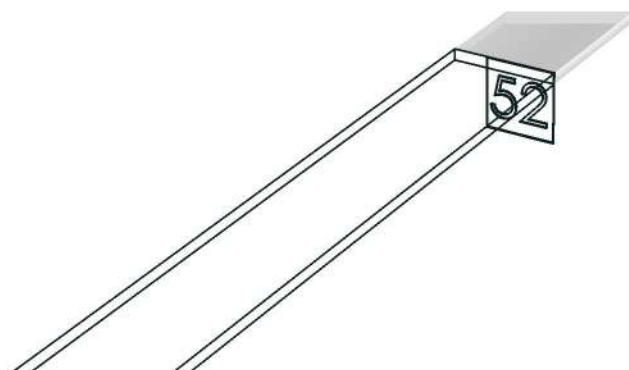
K1R-160127437

K2L-160127445

K2R-160099797



<b>Model</b>	-ESCENT_SRT_DFLMV		
<b>Creator</b>		<b>.BCP Name</b>	INDEX_C3D_KITCHEN2
<b>Reviewer</b>		<b>Order</b>	I001057
<b>Approves</b>		<b>Date</b>	



<b>Model</b>	ESCENT_SRT_DF_CL1550		
<b>Creator</b>	PASATHORN	<b>.BCP Name</b>	INDEX_C3D_KITCHEN2
<b>Reviewer</b>		<b>Order</b>	I001053
<b>Approves</b>	P.SAWAI	<b>Date</b>	06/06/2022

## ESCENT\_SRT\_DF\_CL1550-1550X16X370

**Colour**

20.24=ML AE9V (PEARL)

**Edge**

01.47=1 WHITE

K1L-160129566

K11L-160127496

K1R-160127437

K12L-160134141

K2L-160127445

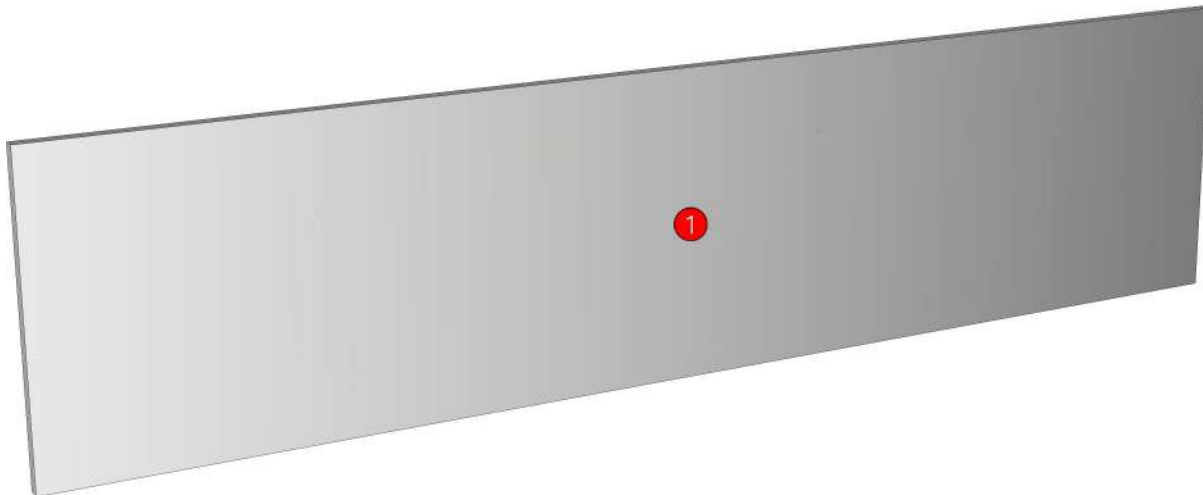
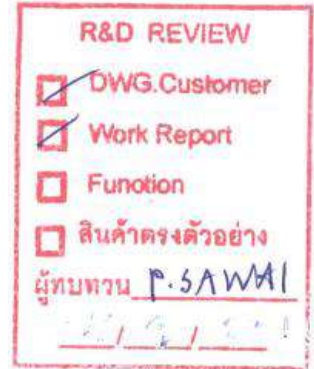
K2R-160099797

K3R-160099808

K5L-160127467

K5R-160127477

K10R-160127487



<b>Model</b>	ESCENT_SRT_DEPB		
<b>Creator</b>	PASATHORN	<b>.BCP Name</b>	INDEX_C3D_KITCHEN2
<b>Reviewer</b>		<b>Order</b>	I001059
<b>Approves</b>	P.SAWAI	<b>Date</b>	07/06/2022

## ESCENT\_SRT\_DEPB-16X590X772

### Colour

20.10=ML.CORNWALL OAK # AV7 (WOODDRIFT)

### Edge

01.160=1 CORNWALL OAK AV7

K1L-160129566

K11L-160127496

K1R-160127437

K12L-160134141

K2L-160127445

K40R-160134494

K2R-160099797

K3R-160099808

K4R-160127454

K5L-160127467

K5R-160127477

K10R-160127487



<b>R&amp;D REVIEW</b>	
<input checked="" type="checkbox"/>	DWG.Customer
<input checked="" type="checkbox"/>	Work Report
<input type="checkbox"/>	Function
<input type="checkbox"/>	สินค้าตรงตัวอย่าง
ผู้ทบทวน P.SAWAI	
07/06/2022	

<b>Model</b>	ESCENT_SRT_DF_CL300		
<b>Creator</b>	PASATHORN	<b>.BCP Name</b>	INDEX_C3D_KITCHEN2
<b>Reviewer</b>		<b>Order</b>	I002540
<b>Approves</b>	P-SAWAI	<b>Date</b>	06/09/2023

## **ESCENT\_SRT\_DF\_CL300-300X16X370**

**Colour**

20.24=ML AE9V (PEARL)

**Edge**

01.47=1 WHITE

K1L-160129566

K1R-160127437

K11L-160127496

K12L-160134141

K40R-160134494



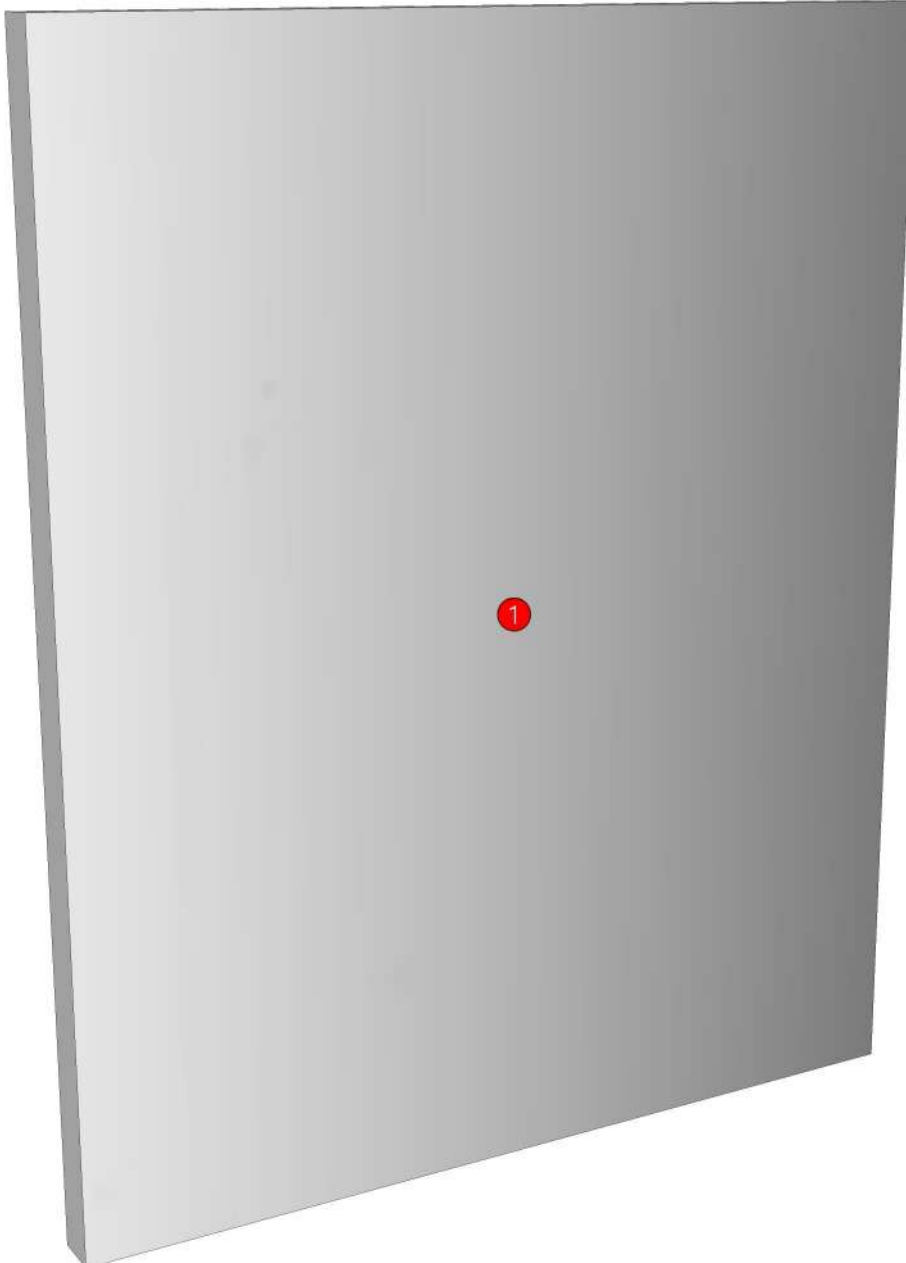
<b>R&amp;D REVIEW</b>	
<input checked="" type="checkbox"/>	DWG.Customer
<input checked="" type="checkbox"/>	Work Report
<input type="checkbox"/>	Function
<input type="checkbox"/>	สินค้าตรงตัวอย่าง
ผู้ทบทวน <u>P-SAWAI</u>	
<u>06/09/2023</u>	

K4R-160127454

K5L-160127467

K5R-160127477

K10R-160127487



<b>Model</b>	ESCENT_SRT_DUT500		
<b>Creator</b>	PASATHORN	<b>.BCP Name</b>	INDEX_C3D_KITCHEN2
<b>Reviewer</b>		<b>Order</b>	I001052
<b>Approves</b>	P.SAWAI	<b>Date</b>	06/06/2022

## ESCENT\_SRT\_DUT500-500X60X9

**Colour**

20.24=ML AE9V (PEARL)

**Edge**

01.47=1 WHITE

K1L-160129566

K11L-160127496

K1R-160127437

K12L-160134141

K2L-160127445

K40R-160134494

K2R-160099797

K3R-160099808

K4R-160127454

K5L-160127467

K5R-160127477

K7R-160134210

K10R-160127487



**R&D REVIEW**

DWG.Customer

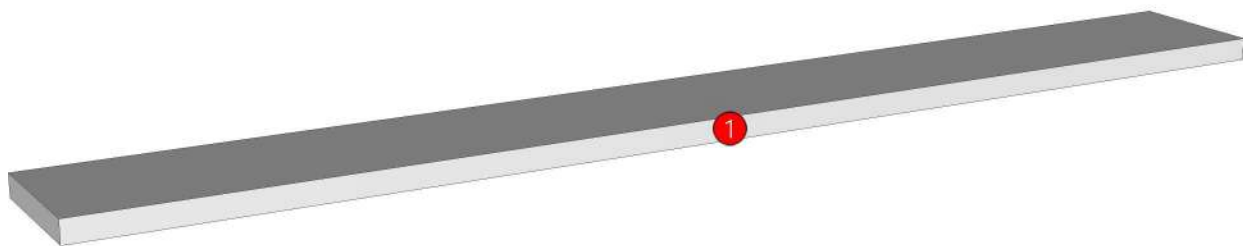
Work Report

Function

สินค้าตรงตัวอย่าง

ผู้ทบทวน P.SAWAI

06/06/2022



<b>Model</b>	ESCENT_SRT_DUT1500		
<b>Creator</b>	PASATHORN	<b>.BCP Name</b>	INDEX_C3D_KITCHEN2
<b>Reviewer</b>		<b>Order</b>	I001051
<b>Approves</b>	P.SAWAI	<b>Date</b>	06/06/2022

## ESCENT\_SRT\_DUT1500-1500X60X9

**Colour**

20.24=ML AE9V (PEARL)

**Edge**

01.47=1 WHITE

K1L-160129566  
K1R-160127437  
K2L-160127445  
K2R-160099797  
K3R-160099808

K11L-160127496  
K12L-160134141



K5L-160127467  
K5R-160127477

K10R-160127487

<b>R&amp;D REVIEW</b>	
<input checked="" type="checkbox"/>	DWG.Customer
<input checked="" type="checkbox"/>	Work Report
<input type="checkbox"/>	Function
<input type="checkbox"/>	สินค้าตรงตัวอย่าง
ผู้ทบทวน <u>P.SAWAI</u>	
<u>06/06/2022</u>	

