

<b>Model</b>	SENA_C_DB80SR		
<b>Creator</b>	PASATHORN	<b>.BCP Name</b>	INDEX_C3D_KITCHEN2
<b>Reviewer</b>		<b>Order</b>	I002657
<b>Approves</b>		<b>Date</b>	29/09/2023

## **SENA\_C\_DB80SR-800X570X882**

### **Colour**

20.89=ML.EMPEROR WALNUT#BK3 (WOODRIFT)

20.14=ML GRAPHITE # MK3200 (PEARL)

### **Edge**

01.171=1 ML.EMPEROR WALNUT BK3 A1352TH00

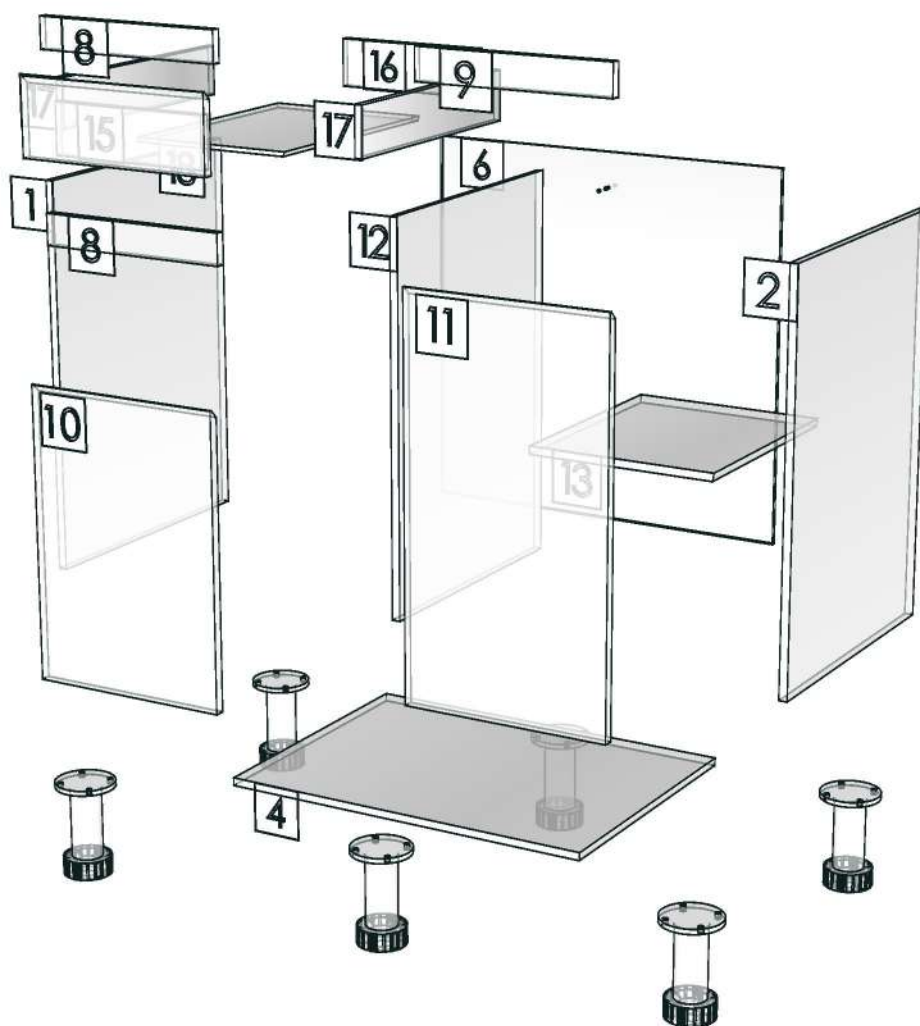
01.206=1 GRAPHITE MD204

K202R-160129336



<b>Model</b>	-SENA_C_DB80SR	<b>.BCP Name</b>	INDEX_C3D_KITCHEN2
<b>Creator</b>		<b>Order</b>	I002657
<b>Reviewer</b>		<b>Date</b>	
<b>Approves</b>			

14



<b>Model</b>	SENA_C_DBS90		
<b>Creator</b>	PASATHORN	<b>.BCP Name</b>	INDEX_C3D_KITCHEN2
<b>Reviewer</b>		<b>Order</b>	I001375
<b>Approves</b>	P.SAWAI	<b>Date</b>	11/11/2022

## **SENA\_C\_DBS90-900X570X882**

### **Colour**

20.89=ML.EMPEROR WALNUT#BK3 (WOODRIFT)

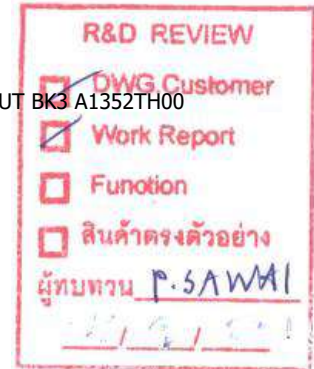
20.14=ML GRAPHITE # MK3200 (PEARL)

K202L-160115773

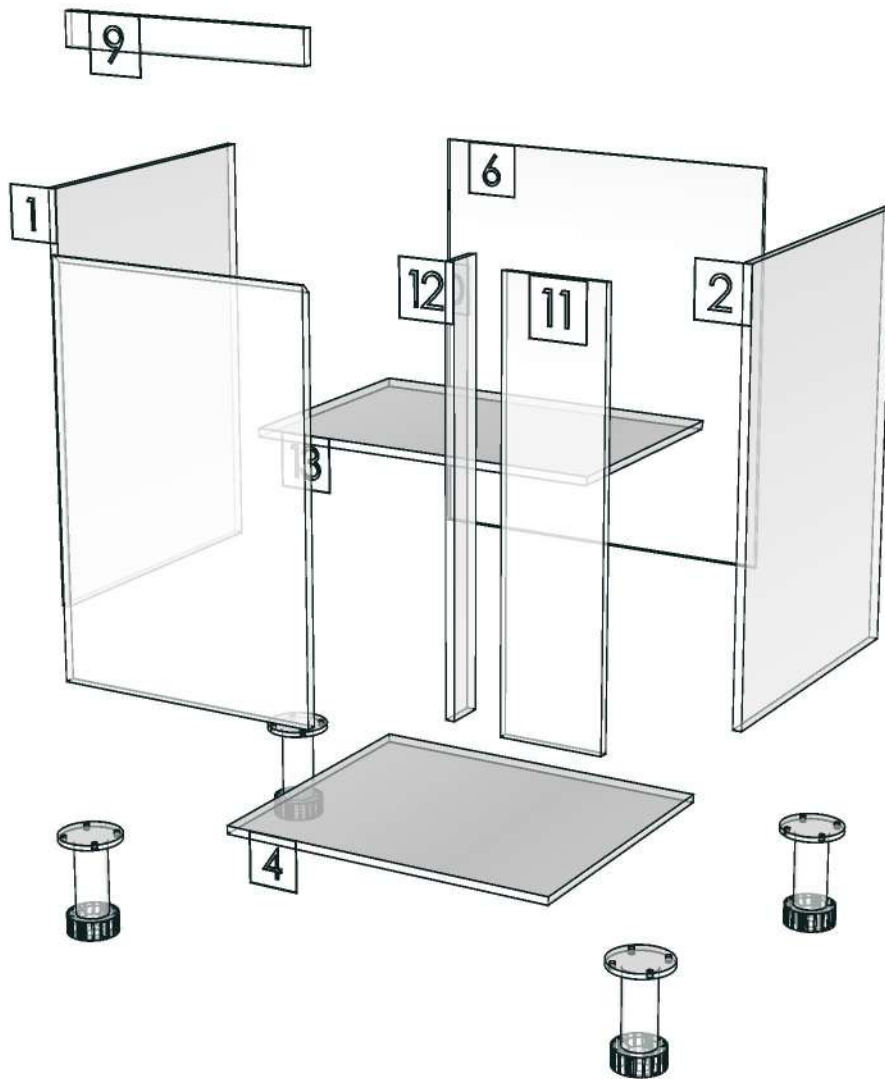
K202R-160129336

### **Edge**

01.171=1 ML.EMPEROR WALNUT BK3 A1352TH00



<b>Model</b>	-SENA_C_DBC7050R		
<b>Creator</b>		<b>.BCP Name</b>	INDEX_C3D_KITCHEN2
<b>Reviewer</b>		<b>Order</b>	I002658
<b>Approves</b>	P.SAWAI	<b>Date</b>	



<b>Model</b>	SENA_C_DBH60L		
<b>Creator</b>	PASATHORN	<b>.BCP Name</b>	INDEX_C3D_KITCHEN2
<b>Reviewer</b>		<b>Order</b>	I002656
<b>Approves</b>	P.SAWAI	<b>Date</b>	29/09/2023

## **SENA\_C\_DBH60L-600X570X882**

### **Colour**

20.89=ML.EMPEROR WALNUT#BK3 (WOODRIFT)

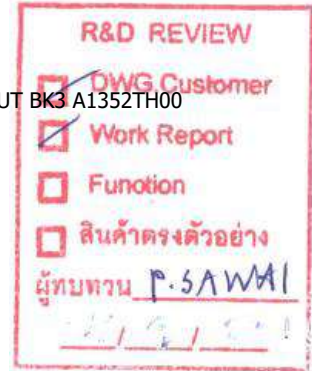
20.14=ML GRAPHITE # MK3200 (PEARL)

K202R-160129336

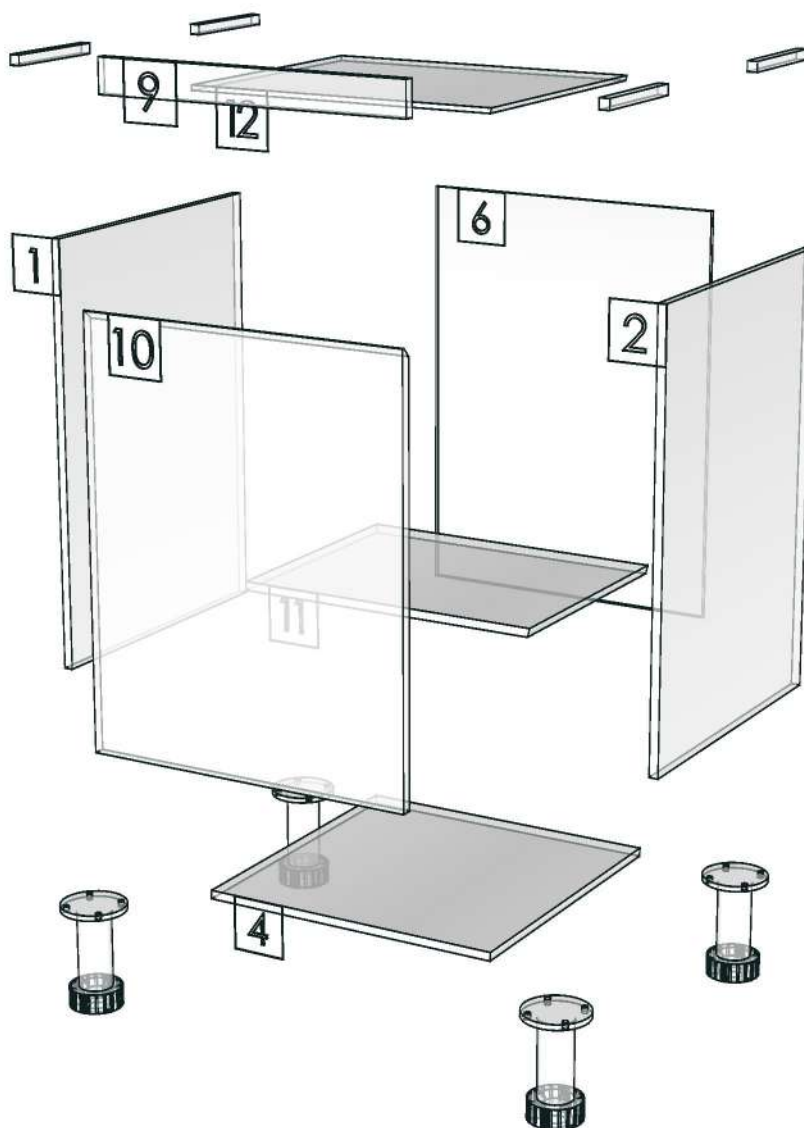
### **Edge**

01.171=1 ML.EMPEROR WALNUT BK3 A1352TH00

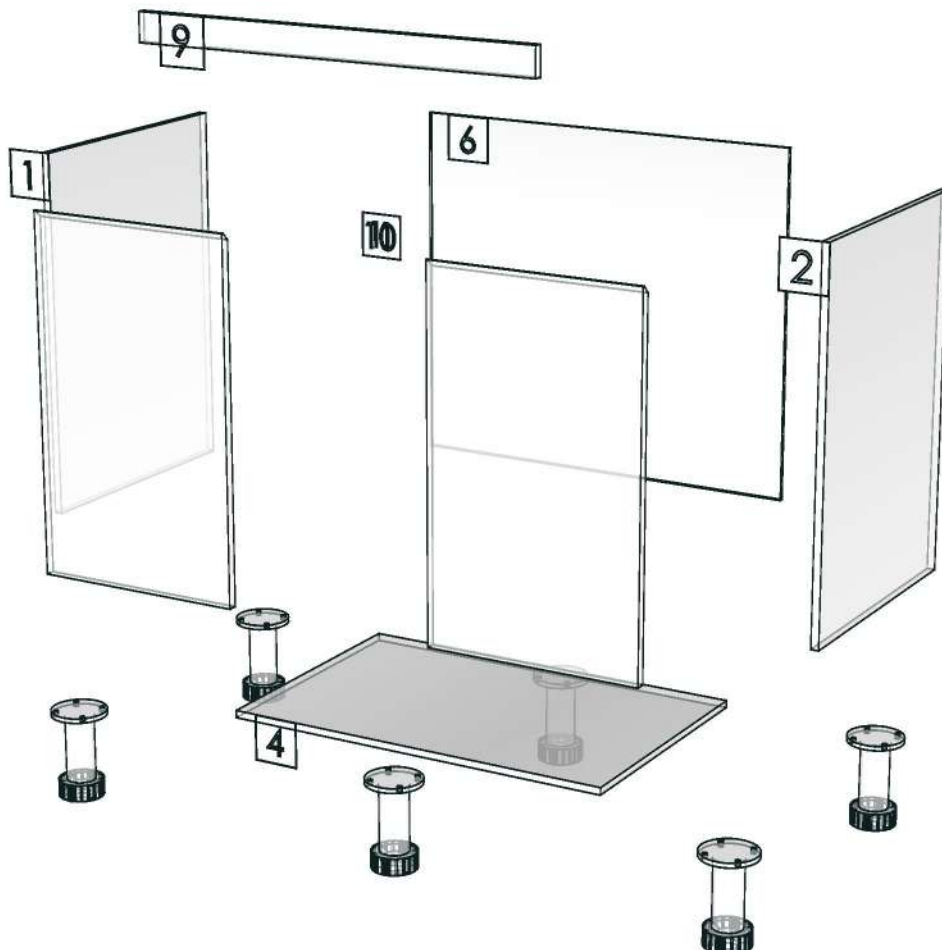
01.206=1 GRAPHITE MD204



<b>Model</b>	-SENA_C_DBH60L		
<b>Creator</b>		<b>.BCP Name</b>	INDEX_C3D_KITCHEN2
<b>Reviewer</b>		<b>Order</b>	I002656
<b>Approves</b>	P. SAWAI	<b>Date</b>	



<b>Model</b>	-SENA_C_DBS90		
<b>Creator</b>		<b>.BCP Name</b>	INDEX_C3D_KITCHEN2
<b>Reviewer</b>		<b>Order</b>	I001375
<b>Approves</b>	P. SAWAI	<b>Date</b>	



<b>Model</b>	SENA_C_DBC7050R		
<b>Creator</b>	PASATHORN	<b>.BCP Name</b>	INDEX_C3D_KITCHEN2
<b>Reviewer</b>		<b>Order</b>	I002658
<b>Approves</b>	P.SAWAI	<b>Date</b>	29/09/2023

## **SENA\_C\_DBC7050R-700X570X882**

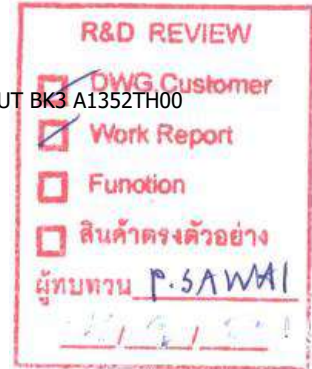
### **Colour**

20.89=ML.EMPEROR WALNUT#BK3 (WOODRIFT)  
20.14=ML GRAPHITE # MK3200 (PEARL)

K202R-160129336

### **Edge**

01.171=1 ML.EMPEROR WALNUT BK3 A1352TH00  
01.206=1 GRAPHITE MD204



<b>Model</b>	SENA_C_DL925		
<b>Creator</b>	PASATHORN	<b>.BCP Name</b>	INDEX_C3D_KITCHEN2
<b>Reviewer</b>		<b>Order</b>	I001372
<b>Approves</b>	P. SAWAI	<b>Date</b>	10/11/2022

## SENA\_C\_DL925-925X300X950

### Colour

20.89=ML.EMPEROR WALNUT#BK3 (WOODRIFT)

20.14=ML GRAPHITE # MK3200 (PEARL)

K202L-160115773

K202R-160129336

### Edge

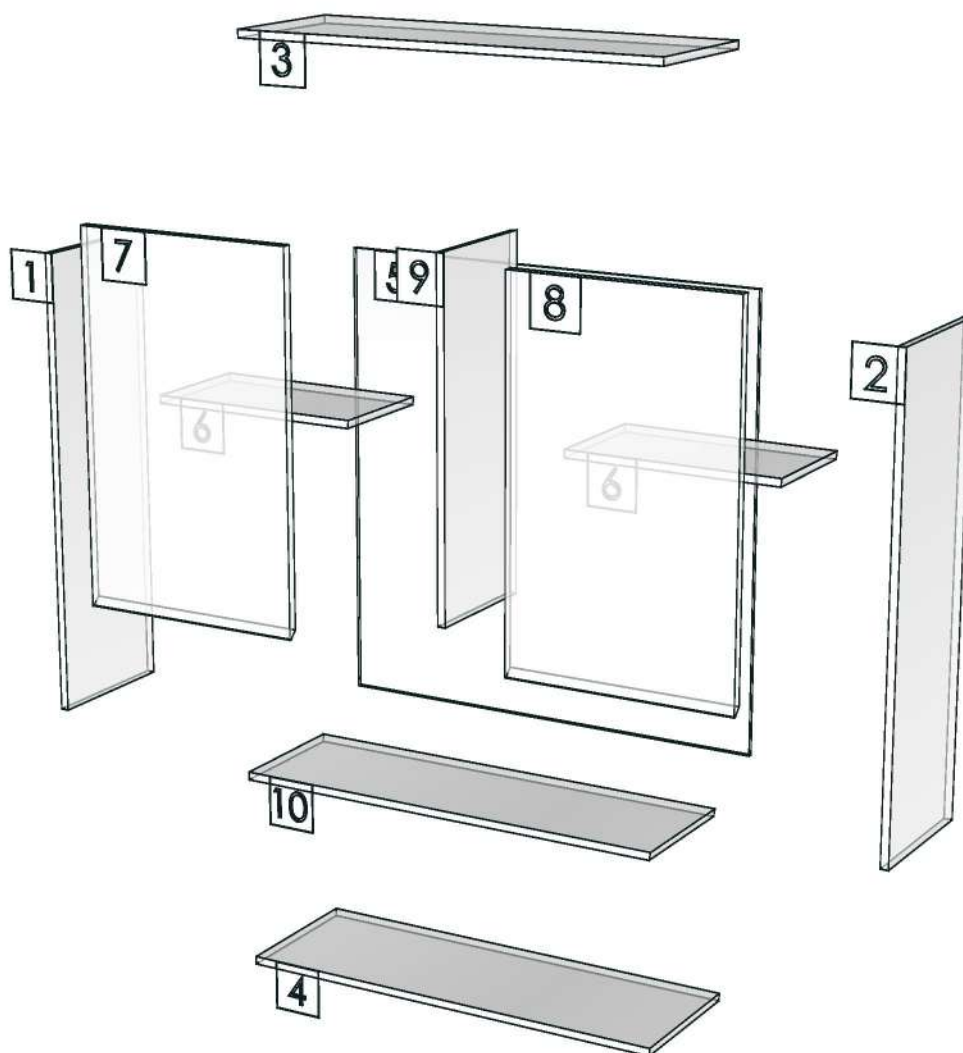
01.171=1 ML.EMPEROR WALNUT BK3 A1352TH00

01.206=1 GRAPHITE MD204

<b>R&amp;D REVIEW</b>	
<input checked="" type="checkbox"/>	DWG Customer
<input checked="" type="checkbox"/>	Work Report
<input type="checkbox"/>	Function
<input type="checkbox"/>	สินค้าตรงตัวอย่าง
ผู้ทบทวน P. SAWAI	
10/11/2022	



<b>Model</b>	-SENA_C_DL925		
<b>Creator</b>		<b>.BCP Name</b>	INDEX_C3D_KITCHEN2
<b>Reviewer</b>		<b>Order</b>	I001372
<b>Approves</b>	P. SAWAI	<b>Date</b>	



<b>Model</b>	SENA_C_DL60R		
<b>Creator</b>	PASATHORN	<b>.BCP Name</b>	INDEX_C3D_KITCHEN2
<b>Reviewer</b>		<b>Order</b>	I002654
<b>Approves</b>		<b>Date</b>	29/09/2023

## **SENA\_C\_DL60R-600X300X950**

### **Colour**

20.89=ML.EMPEROR WALNUT#BK3 (WOODRIFT)

20.14=ML GRAPHITE # MK3200 (PEARL)

### **Edge**

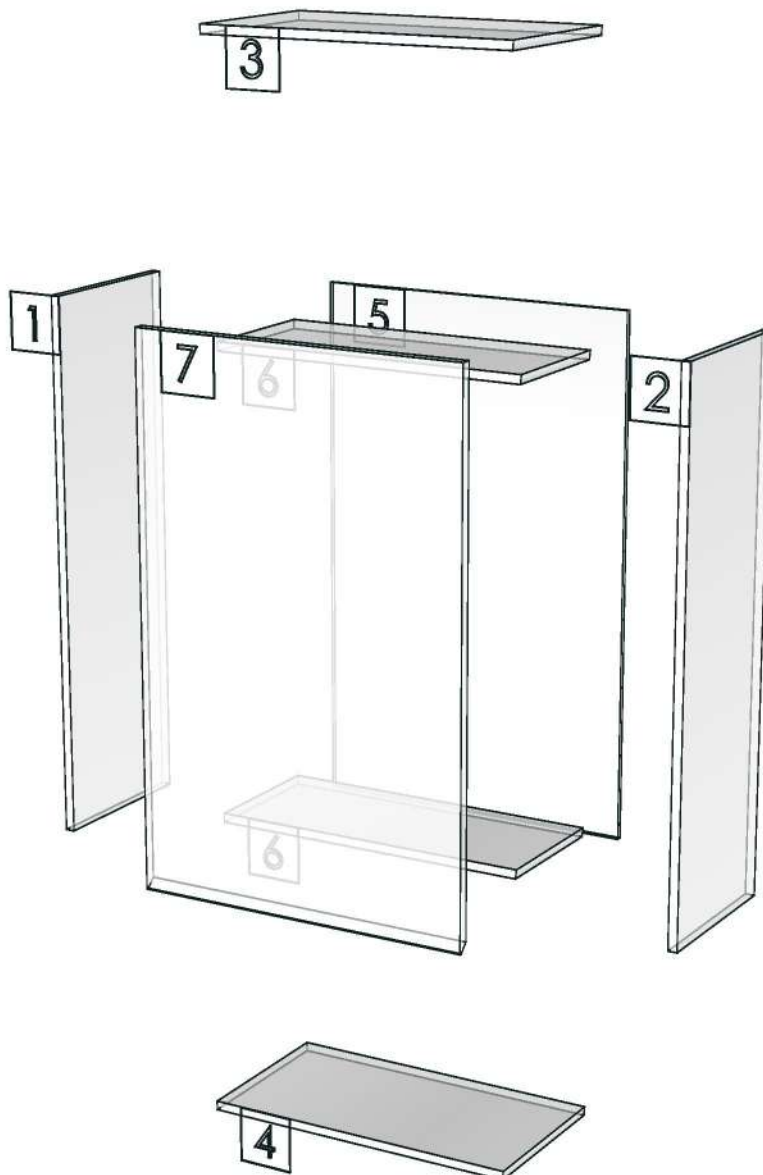
01.171=1 ML.EMPEROR WALNUT BK3 A1352TH00

01.206=1 GRAPHITE MD204

K202R-160129336



<b>Model</b>	-SENA_C_DL60R		
<b>Creator</b>		<b>.BCP Name</b>	INDEX_C3D_KITCHEN2
<b>Reviewer</b>		<b>Order</b>	I002654
<b>Approves</b>		<b>Date</b>	



<b>Model</b>	SENA_C_DL60HL		
<b>Creator</b>	PASATHORN	<b>.BCP Name</b>	INDEX_C3D_KITCHEN2
<b>Reviewer</b>		<b>Order</b>	I002655
<b>Approves</b>	P.SAWAI	<b>Date</b>	29/09/2023

## **SENA\_C\_DL60HL-600X300X905**

### **Colour**

20.89=ML.EMPEROR WALNUT#BK3 (WOODRIFT)

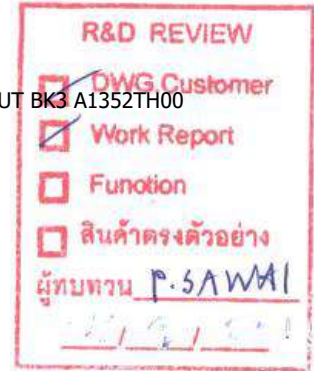
20.14=ML GRAPHITE # MK3200 (PEARL)

K202R-160129336

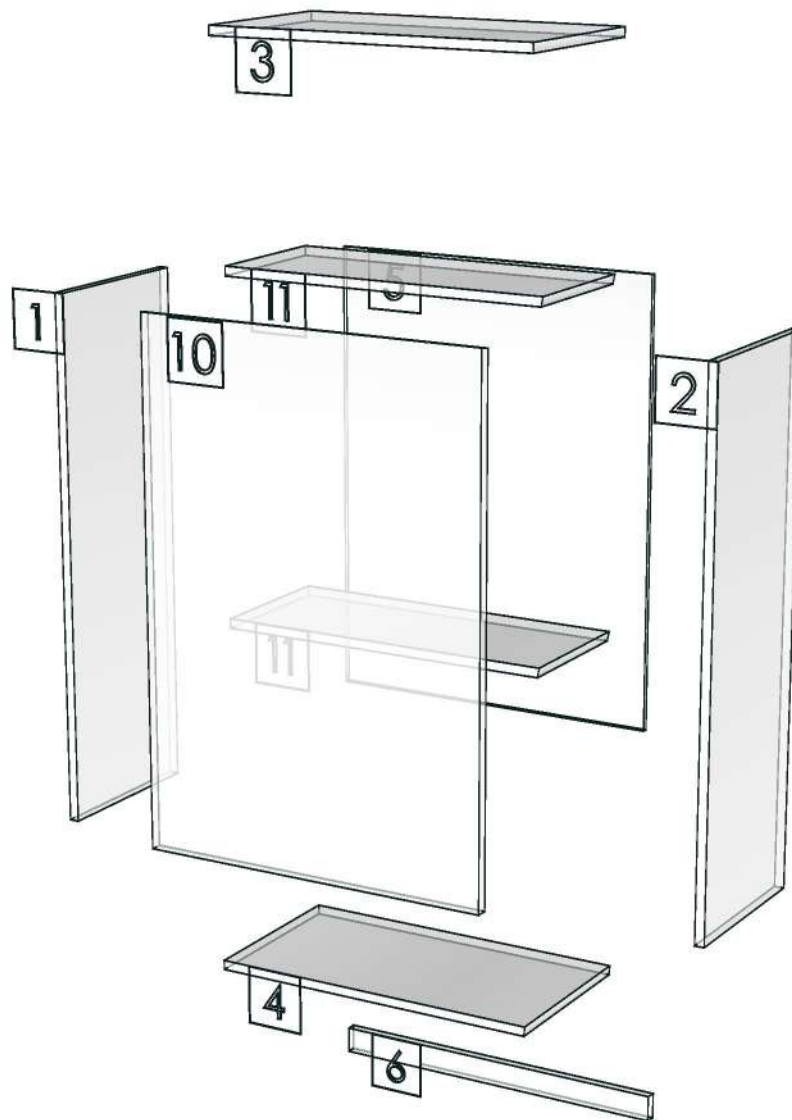
### **Edge**

01.171=1 ML.EMPEROR WALNUT BK3 A1352TH00

01.206=1 GRAPHITE MD204



<b>Model</b>	-SENA_C_DL60HL		
<b>Creator</b>		<b>.BCP Name</b>	INDEX_C3D_KITCHEN2
<b>Reviewer</b>		<b>Order</b>	I002655
<b>Approves</b>	P.SAWAI	<b>Date</b>	



<b>Model</b>	SENA_C_DFB		
<b>Creator</b>	PASATHORN	<b>.BCP Name</b>	INDEX_C3D_KITCHEN2
<b>Reviewer</b>		<b>Order</b>	I001367
<b>Approves</b>	P.SAWAI	<b>Date</b>	10/11/2022

## SENA\_C\_DFB-200X16X782

### Colour

20.89=ML.EMPEROR WALNUT#BK3 (WOODRIFT)

K202L-160115773

K202R-160129336

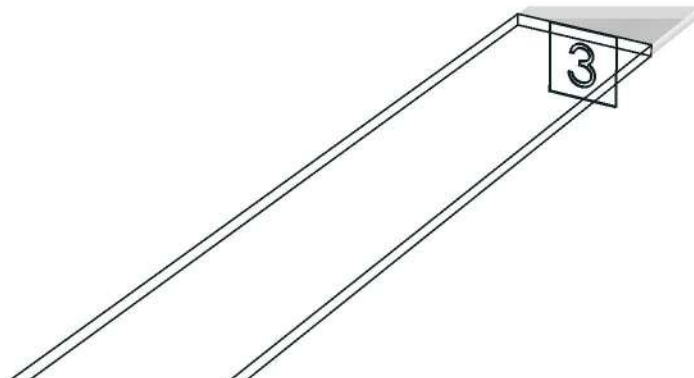
### Edge

01.171=1 ML.EMPEROR WALNUT BK3 A1352TH00

<b>R&amp;D REVIEW</b>	
<input checked="" type="checkbox"/>	DWG Customer
<input checked="" type="checkbox"/>	Work Report
<input type="checkbox"/>	Function
<input type="checkbox"/>	สินค้าตรงตัวอย่าง
ผู้ทบทวน P.SAWAI	



<b>Model</b>	-SENA_C_DFB		
<b>Creator</b>		<b>.BCP Name</b>	INDEX_C3D_KITCHEN2
<b>Reviewer</b>		<b>Order</b>	I001367
<b>Approves</b>		<b>Date</b>	



<b>Model</b>	SENA_C_DFL		
<b>Creator</b>	PASATHORN	<b>.BCP Name</b>	INDEX_C3D_KITCHEN2
<b>Reviewer</b>		<b>Order</b>	I001368
<b>Approves</b>	P.SAWAI	<b>Date</b>	10/11/2022

## SENA\_C\_DFL-200X16X950

### Colour

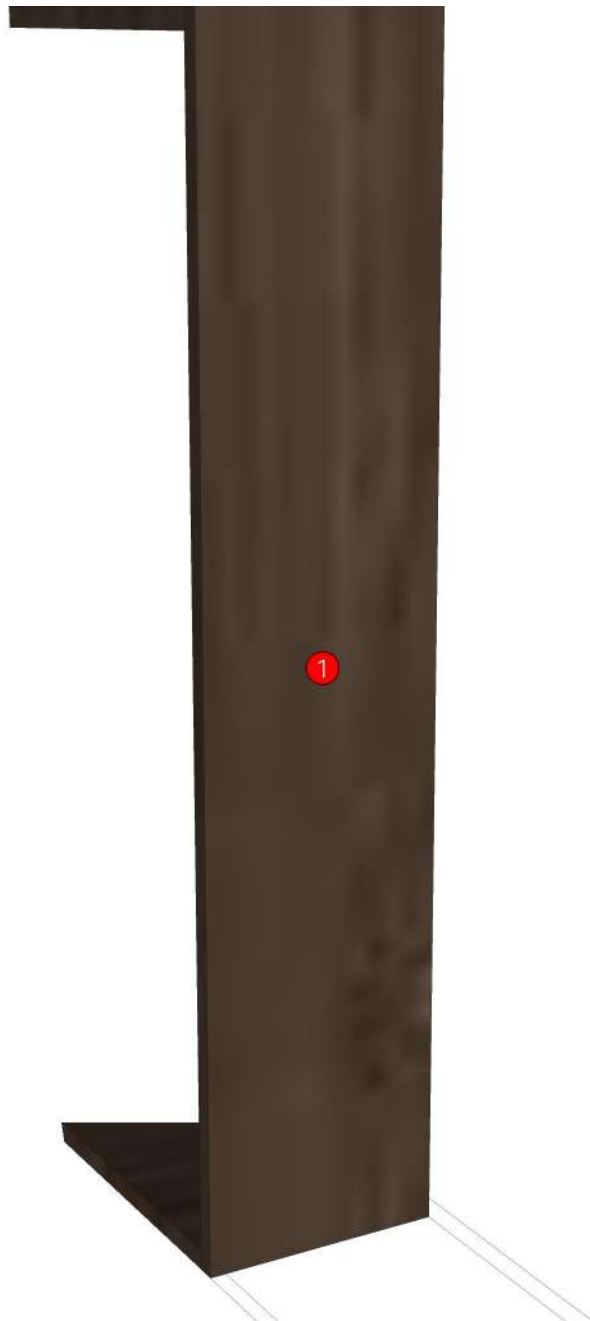
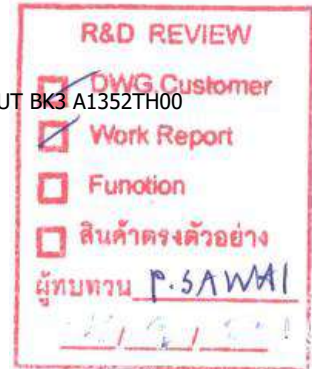
20.89=ML.EMPEROR WALNUT#BK3 (WOODRIFT)

K202L-160115773

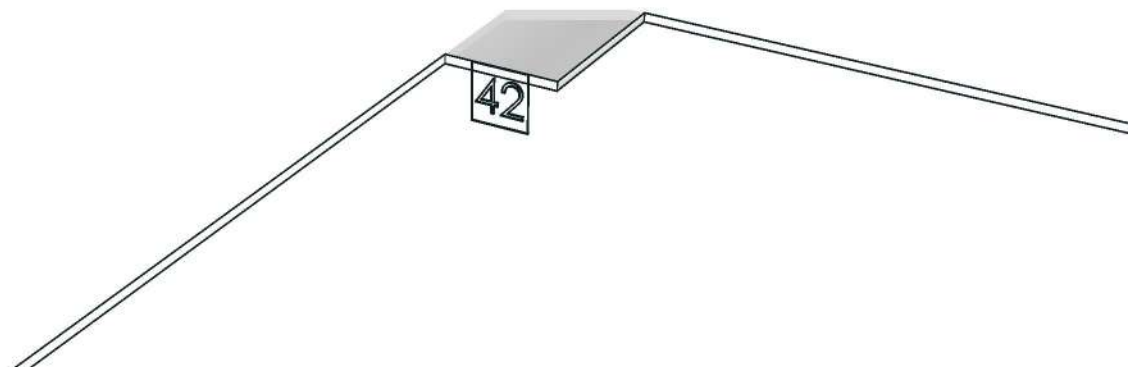
K202R-160129336

### Edge

01.171=1 ML.EMPEROR WALNUT BK3 A1352TH00



<b>Model</b>	-SENA_C_DFL		
<b>Creator</b>		<b>.BCP Name</b>	INDEX_C3D_KITCHEN2
<b>Reviewer</b>		<b>Order</b>	I001368
<b>Approves</b>		<b>Date</b>	



<b>Model</b>	SENA_C_DF_CL2050		
<b>Creator</b>	PASATHORN	<b>.BCP Name</b>	INDEX_C3D_KITCHEN2
<b>Reviewer</b>		<b>Order</b>	I001366
<b>Approves</b>	P.SAWAI	<b>Date</b>	10/11/2022

## **SENA\_C\_DF\_CL2050-2050X16X200**

**Colour**

20.89=ML.EMPEROR WALNUT#BK3 (WOODRIFT)

K202L-160115773

K202R-160129336

**Edge**

01.171=1 ML.EMPEROR WALNUT BK3 A1352TH00

<b>R&amp;D REVIEW</b>	
<input checked="" type="checkbox"/>	DWG Customer
<input checked="" type="checkbox"/>	Work Report
<input type="checkbox"/>	Function
<input type="checkbox"/>	สินค้าตรงตัวอย่าง
ผู้ทบทวน P.SAWAI	
10/11/2022	



<b>Model</b>	SENA_C_DF_CL1400		
<b>Creator</b>	PASATHORN	<b>.BCP Name</b>	INDEX_C3D_KITCHEN2
<b>Reviewer</b>		<b>Order</b>	I001365
<b>Approves</b>	P.SAWAI	<b>Date</b>	10/11/2022

## SENA\_C\_DF\_CL1400-1400X16X200

**Colour**

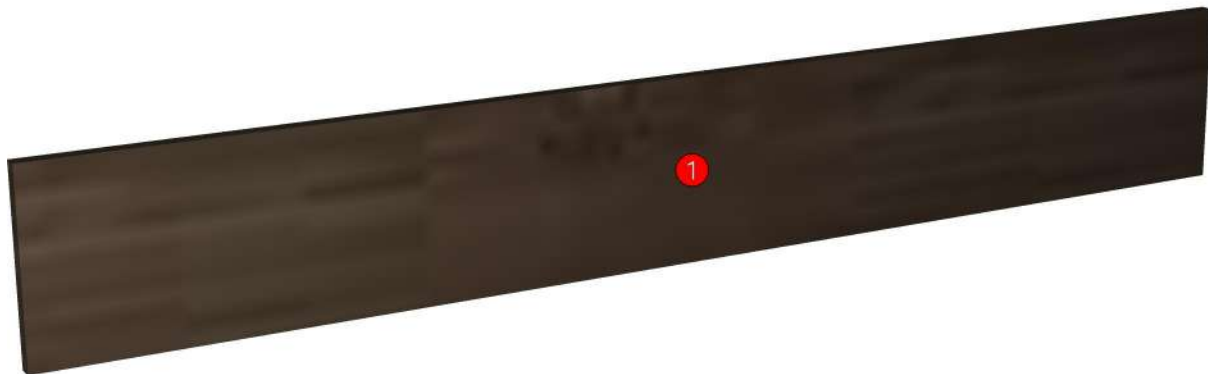
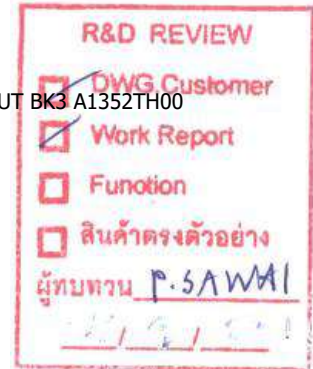
20.89=ML.EMPEROR WALNUT#BK3 (WOODRIFT)

K202L-160115773

K202R-160129336

**Edge**

01.171=1 ML.EMPEROR WALNUT BK3 A1352TH00



<b>Model</b>	SENA_C_DF_CL300		
<b>Creator</b>	PASATHORN	<b>.BCP Name</b>	INDEX_C3D_KITCHEN2
<b>Reviewer</b>		<b>Order</b>	I001364
<b>Approves</b>	P.SAWAI	<b>Date</b>	10/11/2022

## SENA\_C\_DF\_CL300-300X16X200

**Colour**

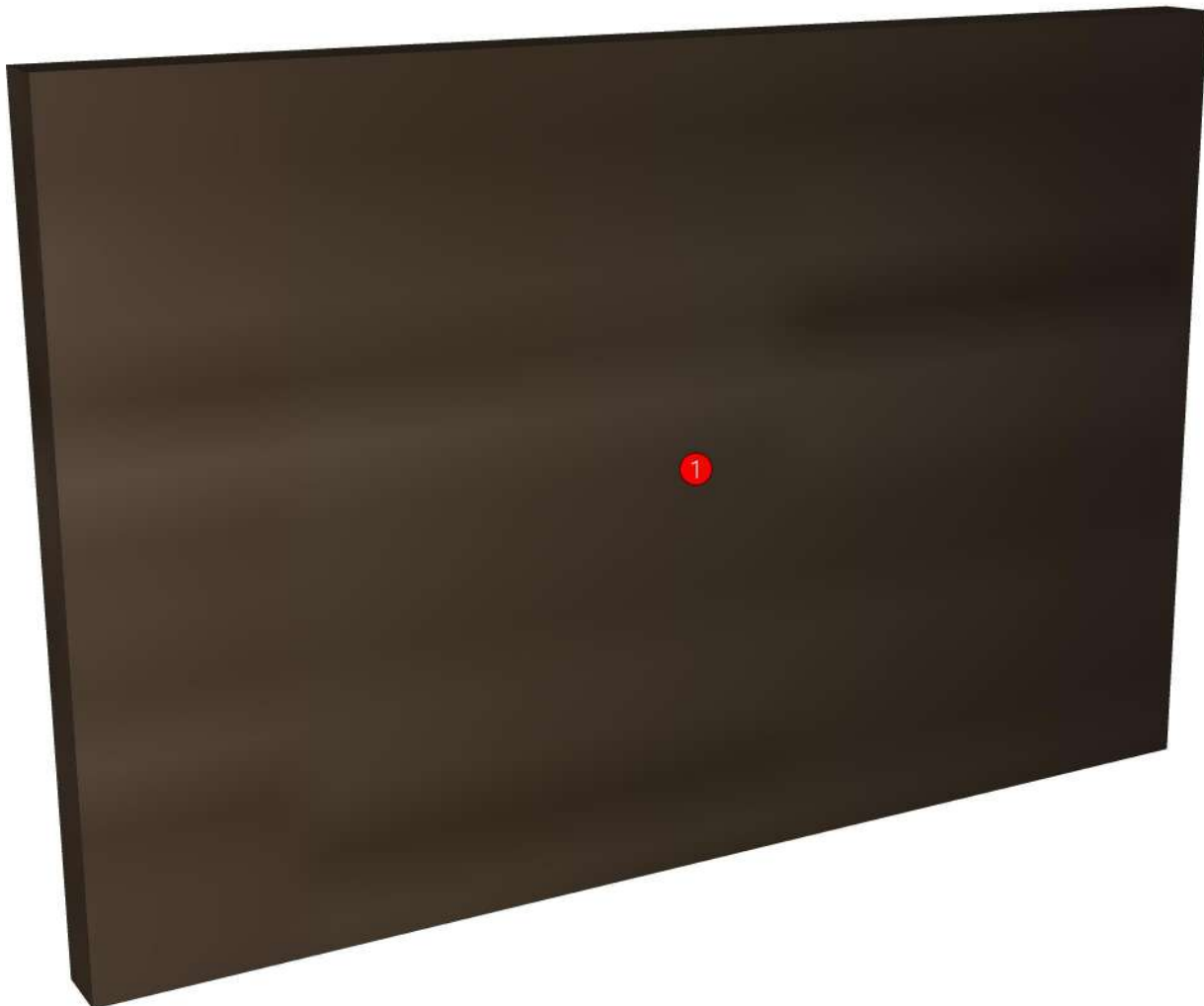
20.89=ML.EMPEROR WALNUT#BK3 (WOODRIFT)

K202L-160115773

K202R-160129336

**Edge**

01.171=1 ML.EMPEROR WALNUT BK3 A1352TH00



<b>Model</b>	SENA_C_D_PLT2000		
<b>Creator</b>	PASATHORN	<b>.BCP Name</b>	INDEX_C3D_KITCHEN2
<b>Reviewer</b>		<b>Order</b>	I001363
<b>Approves</b>	P.SAWAI	<b>Date</b>	10/11/2022

## **SENA\_C\_D\_PLT2000-2000X12X100**

**Colour**

=

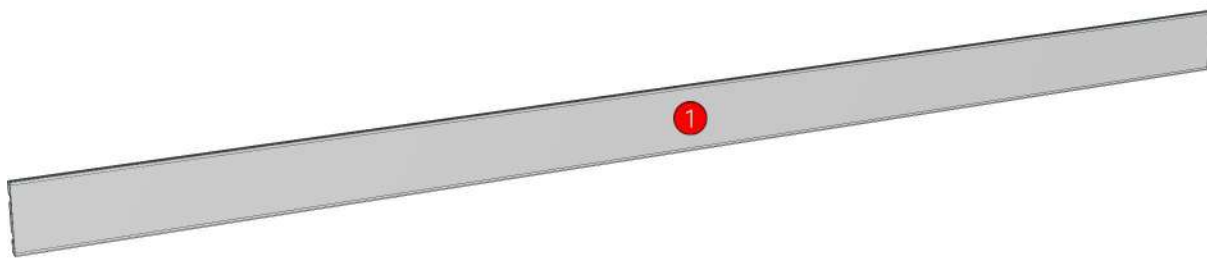
**Edge**

=

K202L-160115773

K202R-160129336

<b>R&amp;D REVIEW</b>	
<input checked="" type="checkbox"/>	DWG.Customer
<input checked="" type="checkbox"/>	Work Report
<input type="checkbox"/>	Function
<input type="checkbox"/>	สินค้าตรงตัวอย่าง
ผู้ทบทวน P.SAWAI	
10/11/2022	



<b>Model</b>	SENA_C_D_PLT6060		
<b>Creator</b>	PASATHORN	<b>.BCP Name</b>	INDEX_C3D_KITCHEN2
<b>Reviewer</b>		<b>Order</b>	I001362
<b>Approves</b>	P.SAWAI	<b>Date</b>	10/11/2022

## SENA\_C\_D\_PLT6060XDD22XH000

Colour

=

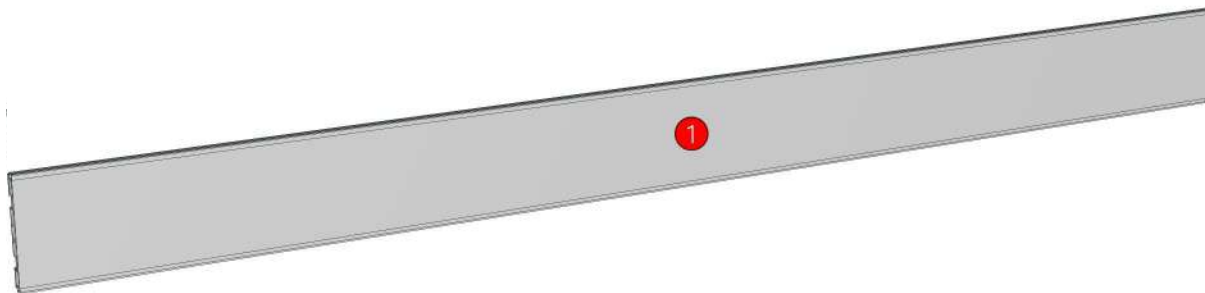
Edge

=

K202L-160115773

K202R-160129336

<b>R&amp;D REVIEW</b>	
<input checked="" type="checkbox"/>	DWG.Customer
<input checked="" type="checkbox"/>	Work Report
<input type="checkbox"/>	Function
<input type="checkbox"/>	สินค้าตรงตัวอย่าง
ผู้ทบทวน P.SAWAI	
10/11/2022	



<b>Model</b>	SENA_C_D_PLT600		
<b>Creator</b>	PASATHORN	<b>.BCP Name</b>	INDEX_C3D_KITCHEN2
<b>Reviewer</b>		<b>Order</b>	I001361
<b>Approves</b>	P.SAWAI	<b>Date</b>	10/11/2022

## **SENA\_C\_D\_PLT600-600X12X100**

**Colour**

=

K202L-160115773

K202R-160129336

**Edge**

=

<b>R&amp;D REVIEW</b>	
<input checked="" type="checkbox"/>	DWG.Customer
<input checked="" type="checkbox"/>	Work Report
<input type="checkbox"/>	Function
<input type="checkbox"/>	สินค้าตรงตัวอย่าง
ผู้ทบทวน P.SAWAI	
<i>[Signature]</i>	

