

<b>Model</b>	REFERENCE_DB501L		
<b>Creator</b>	PASATHORN	<b>.BCP Name</b>	INDEX_C3D_KITCHEN2
<b>Reviewer</b>		<b>Order</b>	I002715
<b>Approves</b>	P.SAWAI	<b>Date</b>	20/10/2023

## REFERENCE\_DB501L-500X570X888

### Colour

02.43=FOIL AP7 AQ-152-12KBWG (AQ PAPER)  
02.56=PAPER FOIL 60GMS.WHITE PEARL #VC-70146-MB-60G  
20.24=ML AE9V (PEARL)  
03.13=PVC WHITE#630 T0.15MM.

### Edge

01.255=1 RHODES AP7  
01.47=1 WHITE



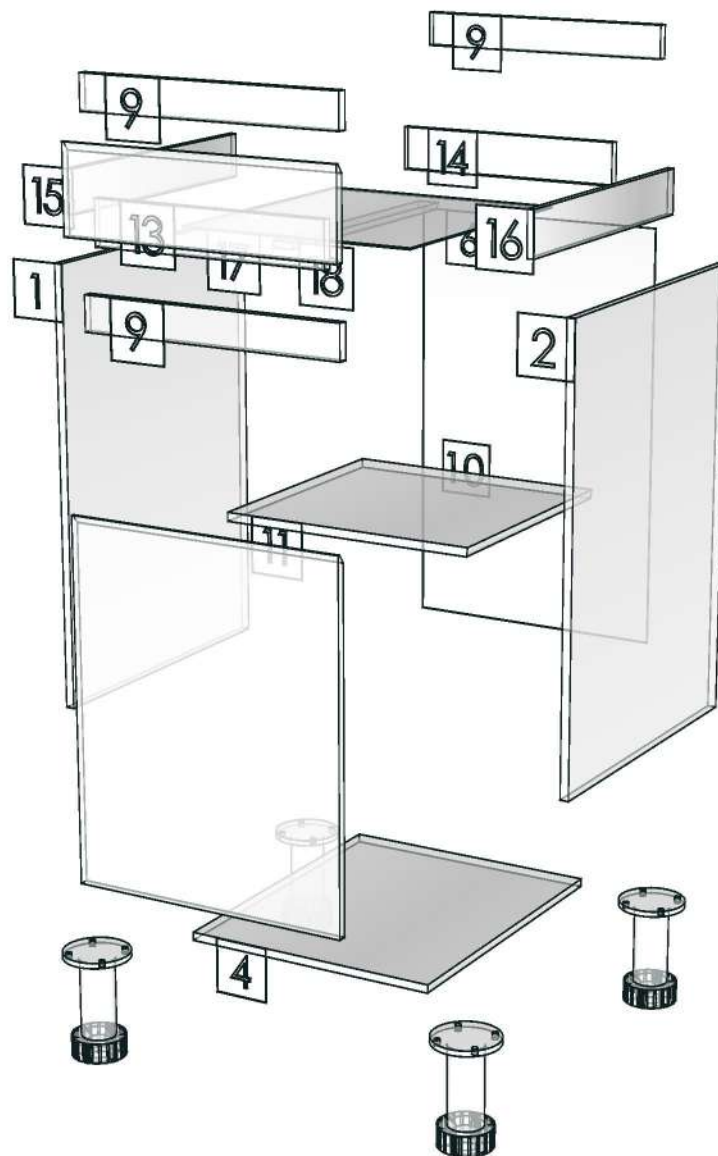
<b>R&amp;D REVIEW</b>	
<input checked="" type="checkbox"/>	DWG.Customer
<input checked="" type="checkbox"/>	Work Report
<input type="checkbox"/>	Function
<input type="checkbox"/>	สินค้าตรงตัวอย่าง
ผู้ทบทวน P.SAWAI	

K114L-160129206



<b>Model</b>	-REFERENCE_DB501L		
<b>Creator</b>		<b>.BCP Name</b>	INDEX_C3D_KITCHEN2
<b>Reviewer</b>		<b>Order</b>	I002715
<b>Approves</b>		<b>Date</b>	

12



<b>Model</b>	REFERENCE_DBS90		
<b>Creator</b>	PASATHORN	<b>.BCP Name</b>	INDEX_C3D_KITCHEN2
<b>Reviewer</b>		<b>Order</b>	I002705
<b>Approves</b>	P.SAWAI	<b>Date</b>	17/10/2023

## REFERENCE\_DBS90-900X570X888

### Colour

02.43=FOIL AP7 AQ-152-12KBWG (AQ PAPER)

03.13=PVC WHITE#630 T0.15MM.

### Edge

01.255=1 RHODES AP7

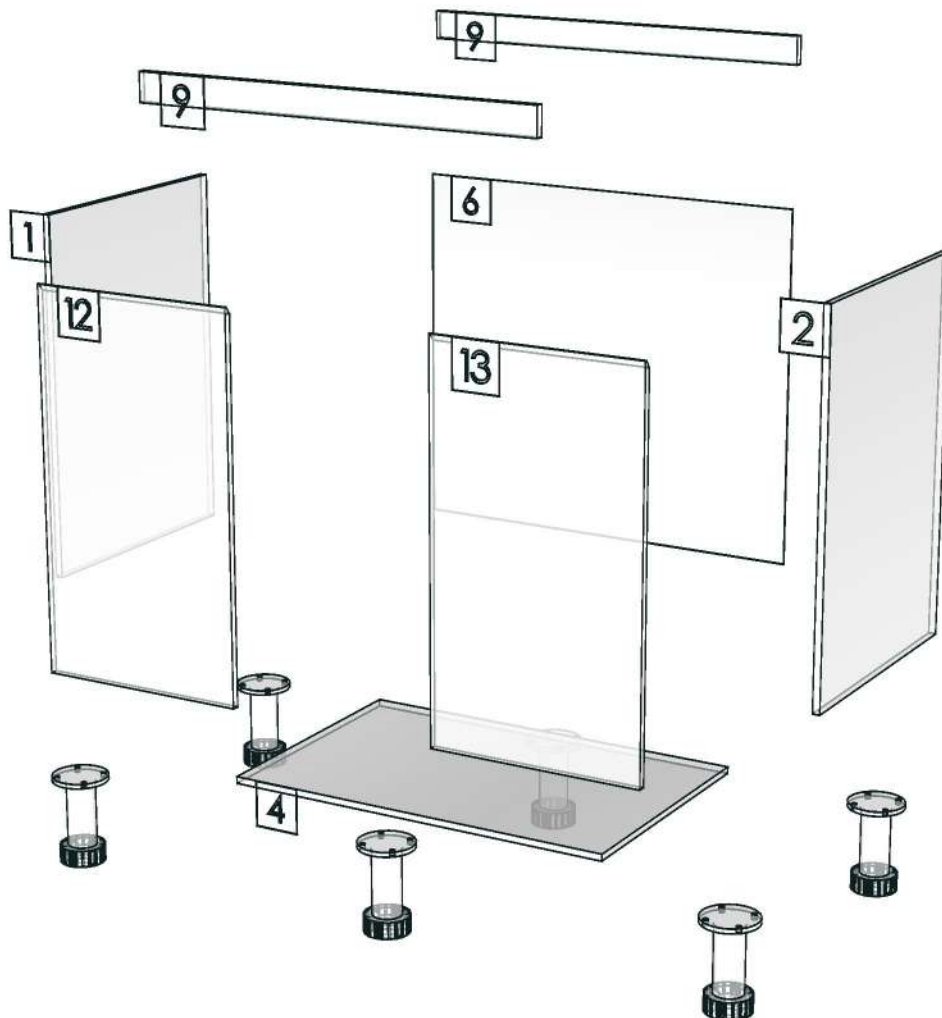


<b>R&amp;D REVIEW</b>	
<input checked="" type="checkbox"/>	DWG.Customer
<input checked="" type="checkbox"/>	Work Report
<input type="checkbox"/>	Function
<input type="checkbox"/>	สินค้าตรงตัวอย่าง
ผู้ทบทวน P.SAWAI	
17/10/2023	

K114L-160129206



<b>Model</b>	-REFERENCE_DBS90		
<b>Creator</b>		<b>.BCP Name</b>	INDEX_C3D_KITCHEN2
<b>Reviewer</b>		<b>Order</b>	I002705
<b>Approves</b>		<b>Date</b>	



<b>Model</b>	REFERENCE_DBH652		
<b>Creator</b>	PASATHORN	<b>.BCP Name</b>	INDEX_C3D_KITCHEN2
<b>Reviewer</b>		<b>Order</b>	I002713
<b>Approves</b>	P.SAWAI	<b>Date</b>	19/10/2023

## REFERENCE\_DBH652-650X570X888

### Colour

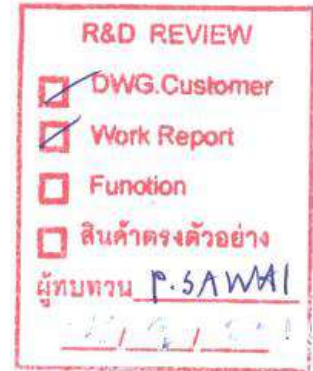
02.43=FOIL AP7 AQ-152-12KBWG (AQ PAPER)  
02.56=PAPER FOIL 60GMS.WHITE PEARL #VC-70146-MB-60G  
20.07=ML AE9V (MATT)  
03.13=PVC WHITE#630 T0.15MM.

### Edge

01.255=1 RHODES AP7  
01.47=1 WHITE

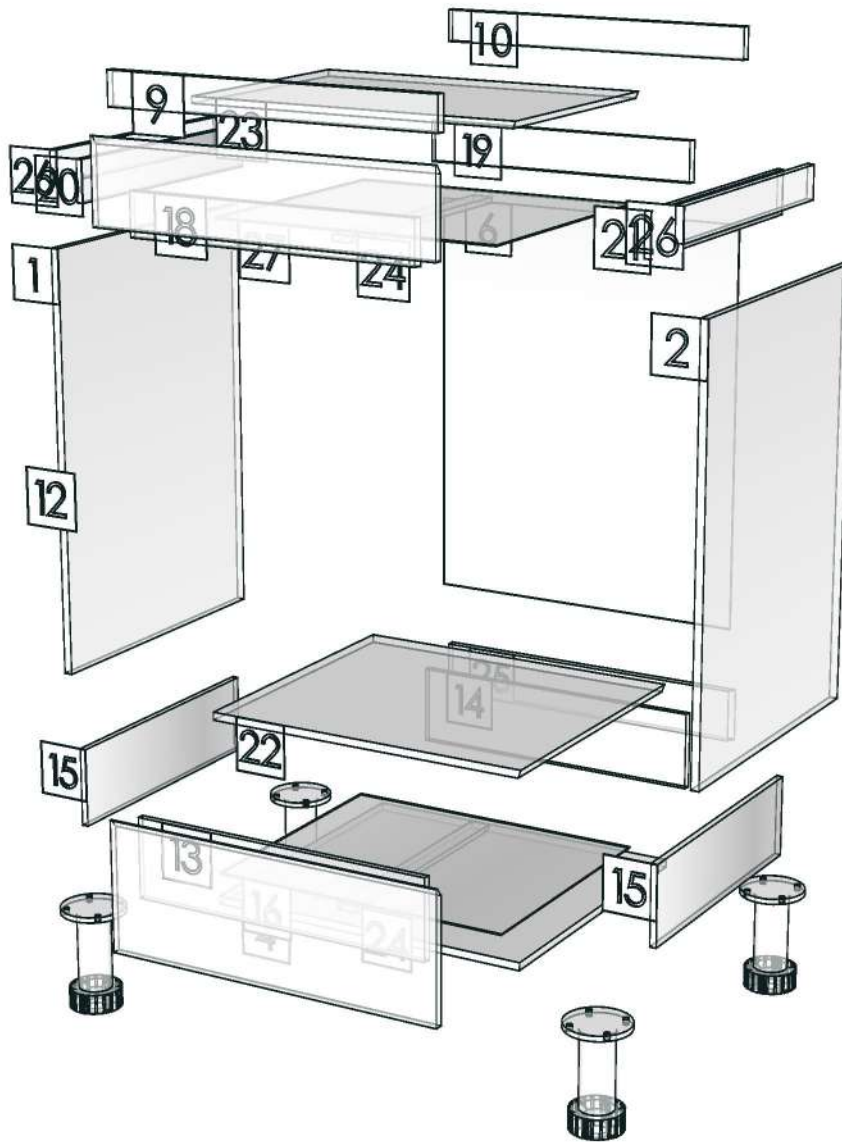
K113-160134022

K114L-160129206

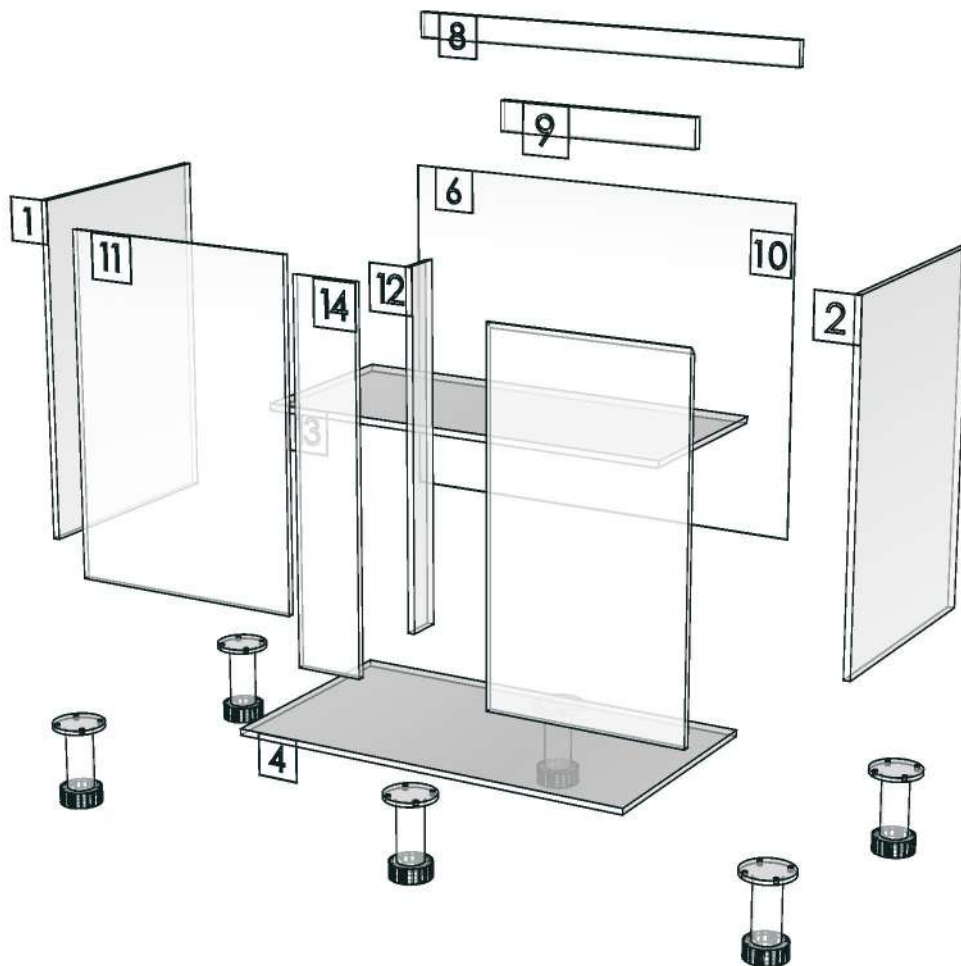


<b>Model</b>	-REFERENCE_DBH652		
<b>Creator</b>		<b>.BCP Name</b>	INDEX_C3D_KITCHEN2
<b>Reviewer</b>		<b>Order</b>	I002713
<b>Approves</b>		<b>Date</b>	

17



<b>Model</b>	-REFERENCE_DBC10045LD		
<b>Creator</b>		<b>.BCP Name</b>	INDEX_C3D_KITCHEN2
<b>Reviewer</b>		<b>Order</b>	I002717
<b>Approves</b>		<b>Date</b>	



<b>Model</b>	REFERENCE_DBC10045LD		
<b>Creator</b>	PASATHORN	<b>.BCP Name</b>	INDEX_C3D_KITCHEN2
<b>Reviewer</b>		<b>Order</b>	I002717
<b>Approves</b>	P.SAWAI	<b>Date</b>	23/10/2023

## REFERENCE\_DBC10045LD-1000X550X888

### Colour

02.43=FOIL AP7 AQ-152-12KBWG (AQ PAPER)  
03.13=PVC WHITE#630 T0.15MM.  
20.24=ML AE9V (PEARL)

### Edge

01.255=1 RHODES AP7  
01.47=1 WHITE



<b>R&amp;D REVIEW</b>	
<input checked="" type="checkbox"/>	DWG.Customer
<input checked="" type="checkbox"/>	Work Report
<input type="checkbox"/>	Function
<input type="checkbox"/>	สินค้าตรงตัวอย่าง
ผู้ทบทวน P.SAWAI	
23/10/2023	

K114L-160129206



<b>Model</b>	REFERENCE_DB40RD		
<b>Creator</b>	PASATHORN	<b>.BCP Name</b>	INDEX_C3D_KITCHEN2
<b>Reviewer</b>		<b>Order</b>	I002714
<b>Approves</b>	P.SAWAI	<b>Date</b>	20/10/2023

## REFERENCE\_DB40RD-400X550X888

### Colour

02.43=FOIL AP7 AQ-152-12KBWG (AQ PAPER)  
03.13=PVC WHITE#630 T0.15MM.  
20.24=ML AE9V (PEARL)

### Edge

01.255=1 RHODES AP7  
01.47=1 WHITE



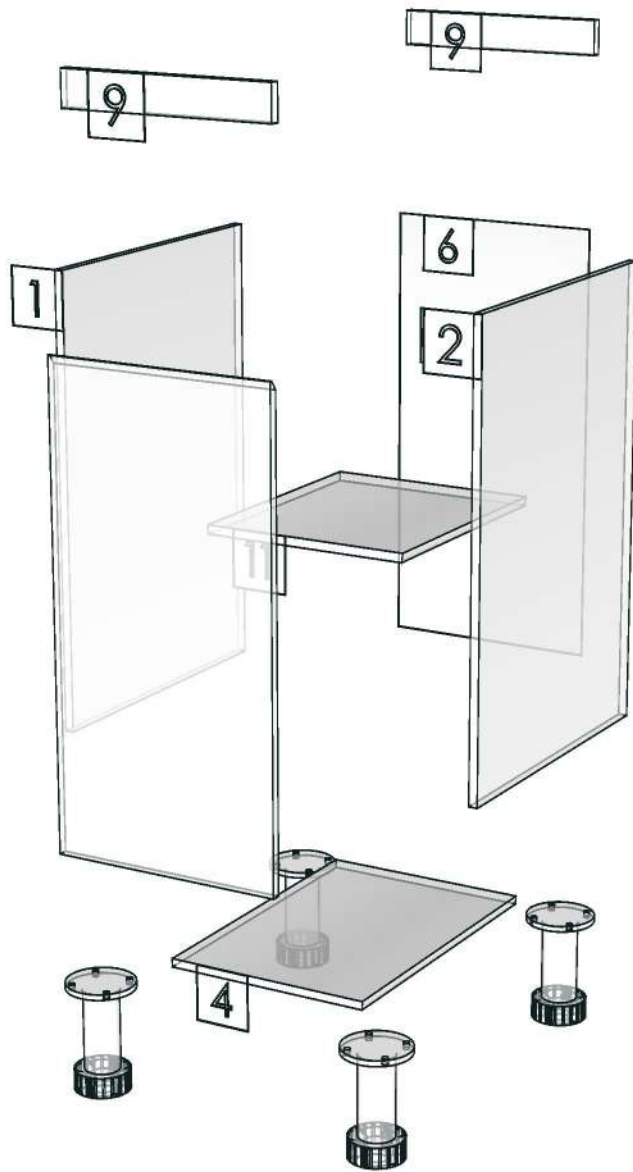
<b>R&amp;D REVIEW</b>	
<input checked="" type="checkbox"/>	DWG.Customer
<input checked="" type="checkbox"/>	Work Report
<input type="checkbox"/>	Function
<input type="checkbox"/>	สินค้าตรงตัวอย่าง
ผู้ทบทวน P.SAWAI	
[Signature]	

K114L-160129206



ปิดขอบด้วยกาว PUR

<b>Model</b>	-REFERENCE_DB40RD		
<b>Creator</b>		<b>.BCP Name</b>	INDEX_C3D_KITCHEN2
<b>Reviewer</b>		<b>Order</b>	I002714
<b>Approves</b>		<b>Date</b>	



<b>Model</b>	REFERENCE_DBD403D		
<b>Creator</b>	PASATHORN	<b>.BCP Name</b>	INDEX_C3D_KITCHEN2
<b>Reviewer</b>		<b>Order</b>	I002716
<b>Approves</b>	P.SAWAI	<b>Date</b>	20/10/2023

## REFERENCE\_DBD403D-400X550X888

### Colour

02.43=FOIL AP7 AQ-152-12KBWG (AQ PAPER)  
02.56=PAPER FOIL 60GMS.WHITE PEARL #VC-70146-MB-60G  
03.13=PVC WHITE#630 T0.15MM.

### Edge

01.255=1 RHODES AP7  
01.47=1 WHITE

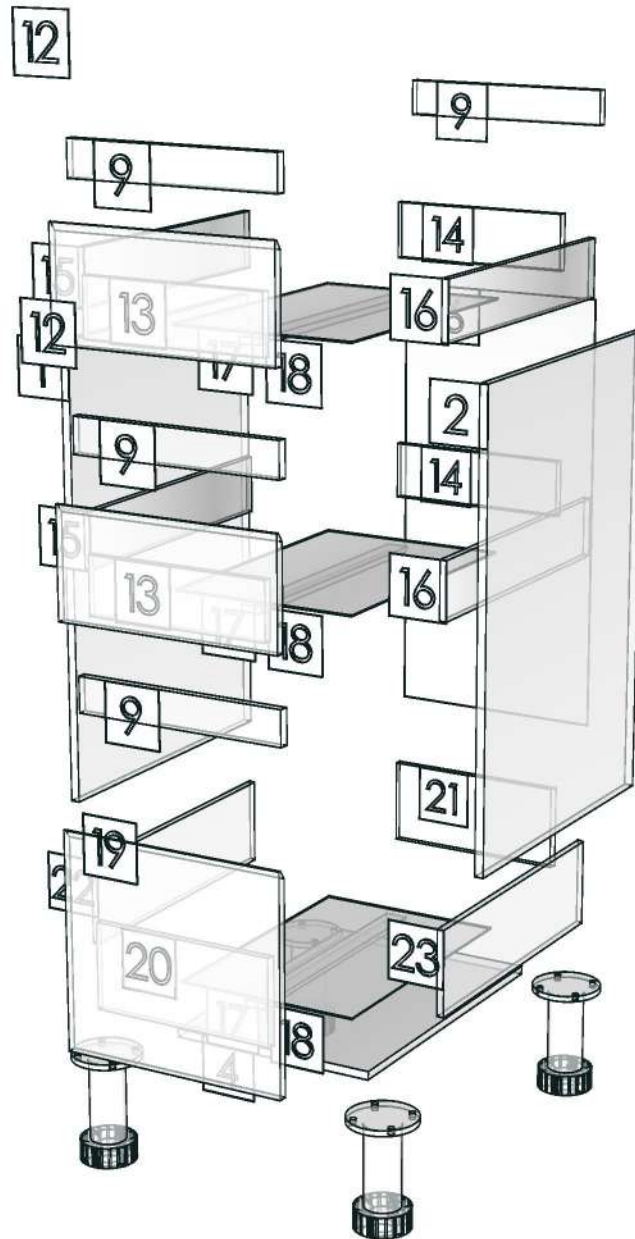
<b>R&amp;D REVIEW</b>	
<input checked="" type="checkbox"/>	DWG.Customer
<input checked="" type="checkbox"/>	Work Report
<input type="checkbox"/>	Function
<input type="checkbox"/>	สินค้าตรงตัวอย่าง
ผู้ทบทวน P.SAWAI	

K114L-160129206



ปิดขอบด้วยกาว PUR

<b>Model</b>	-REFERENCE_DBD403D		
<b>Creator</b>		<b>.BCP Name</b>	INDEX_C3D_KITCHEN2
<b>Reviewer</b>		<b>Order</b>	I002716
<b>Approves</b>		<b>Date</b>	



<b>Model</b>	REFERENCE_DW70		
<b>Creator</b>	PASATHORN	<b>.BCP Name</b>	INDEX_C3D_KITCHEN2
<b>Reviewer</b>		<b>Order</b>	I002382
<b>Approves</b>	P.SAWAI	<b>Date</b>	22/06/2023

## REFERENCE\_DW70-700X350X500

### Colour

02.43=FOIL AP7 AQ-152-12KBWG (AQ PAPER)  
03.13=PVC WHITE#630 T0.15MM.  
20.24=ML AE9V (PEARL)

### Edge

01.255=1 RHODES AP7  
01.47=1 WHITE

K100L-160131166

K126R-160131546

K113-160134022

K127L-160134193

K102L-160131186

K114L-160129206

K102R-160123111

K117L-160123170

K108L-160123120

K108R-160123129

K109R-160123138

K124R-160134041

**R&D REVIEW**

DWG.Customer

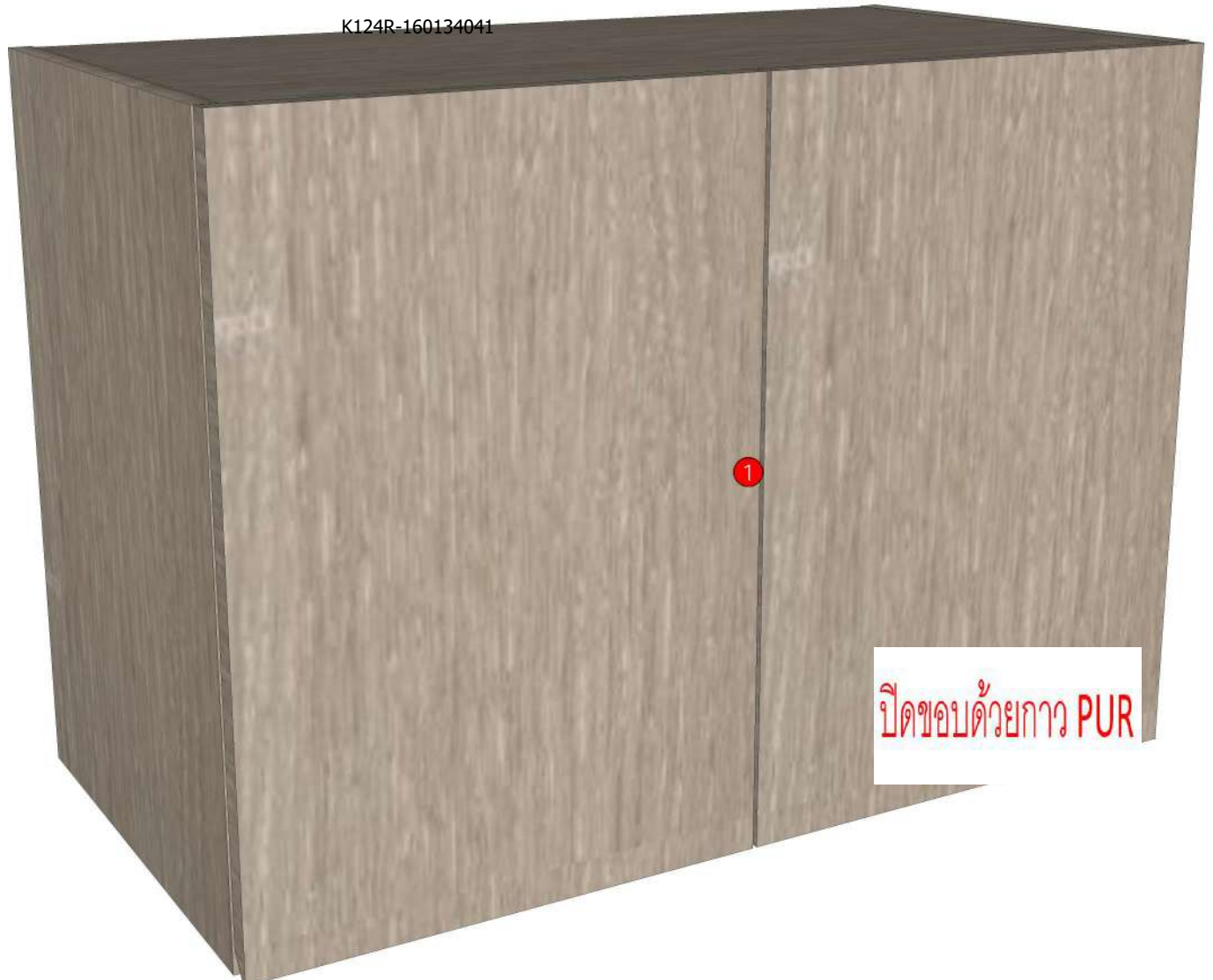
Work Report

Function

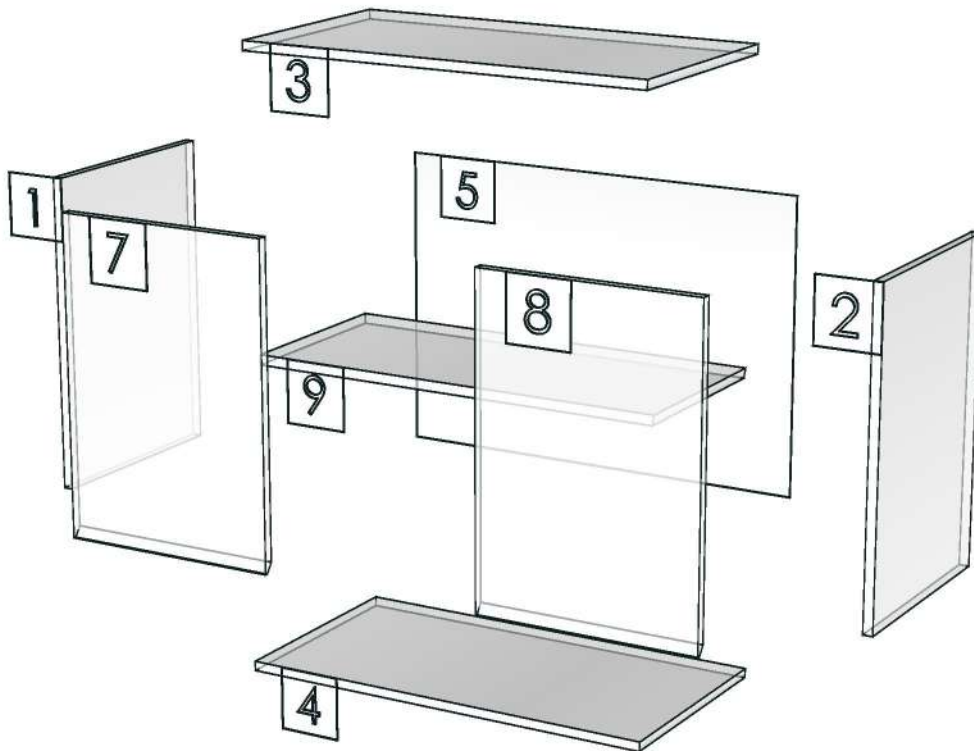
สินค้าตรงตัวอย่าง

ผู้ทบทวน P.SAWAI

1



<b>Model</b>	-REFERENCE_DW70		
<b>Creator</b>		<b>.BCP Name</b>	INDEX_C3D_KITCHEN2
<b>Reviewer</b>		<b>Order</b>	I002382
<b>Approves</b>		<b>Date</b>	



<b>Model</b>	REFERENCE_DL50L		
<b>Creator</b>	PASATHORN	<b>.BCP Name</b>	INDEX_C3D_KITCHEN2
<b>Reviewer</b>		<b>Order</b>	I002708
<b>Approves</b>	P.SAWAI	<b>Date</b>	18/10/2023

## REFERENCE\_DL50L-500X350X800

### Colour

02.43=FOIL AP7 AQ-152-12KBWG (AQ PAPER)

03.13=PVC WHITE#630 T0.15MM.

20.24=ML AE9V (PEARL)

### Edge

01.255=1 RHODES AP7

01.47=1 WHITE



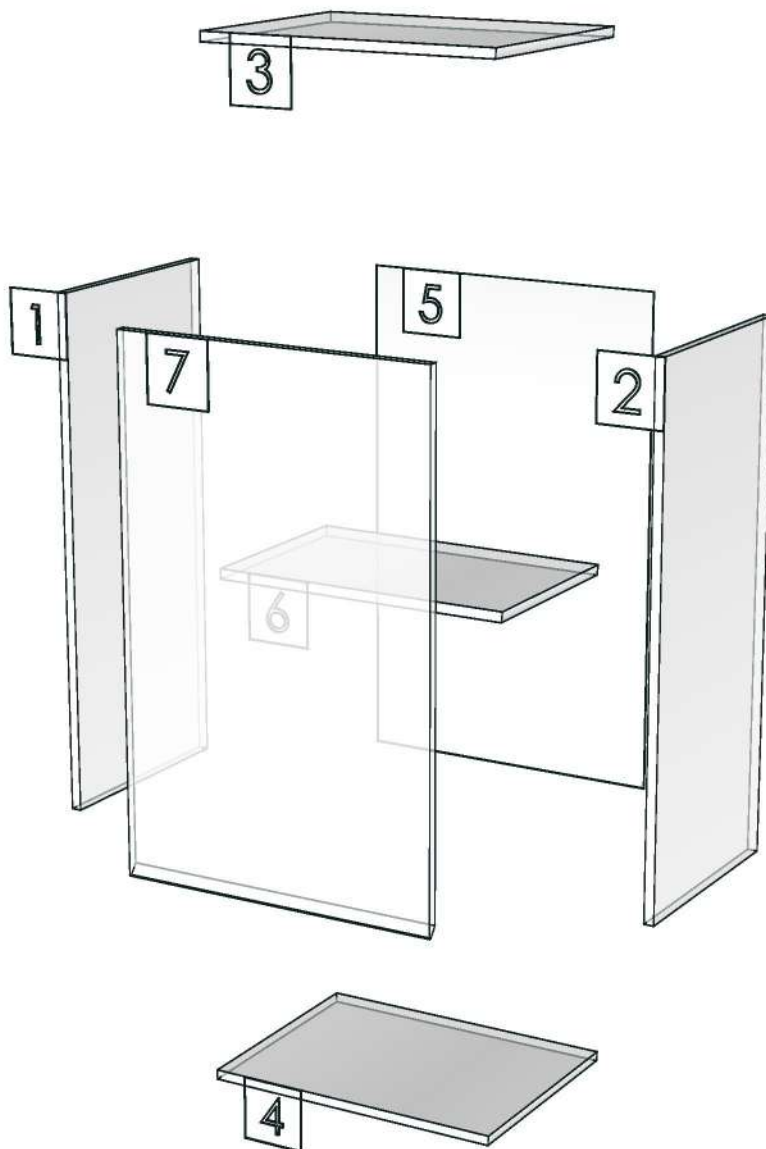
<b>R&amp;D REVIEW</b>	
<input checked="" type="checkbox"/>	DWG.Customer
<input checked="" type="checkbox"/>	Work Report
<input type="checkbox"/>	Function
<input type="checkbox"/>	สินค้าตรงตัวอย่าง
ผู้ทบทวน P.SAWAI	
18/10/2023	

K114L-160129206



ปิดขอบด้วยกาว PUR

<b>Model</b>	-REFERENCE_DL50L		
<b>Creator</b>		<b>.BCP Name</b>	INDEX_C3D_KITCHEN2
<b>Reviewer</b>		<b>Order</b>	I002708
<b>Approves</b>		<b>Date</b>	



<b>Model</b>	REFERENCE_DL90SL		
<b>Creator</b>	PASATHORN	<b>.BCP Name</b>	INDEX_C3D_KITCHEN2
<b>Reviewer</b>		<b>Order</b>	I002709
<b>Approves</b>		<b>Date</b>	18/10/2023

## **REFERENCE\_DL90SL-900X350X800**

### **Colour**

02.43=FOIL AP7 AQ-152-12KBWG (AQ PAPER)

03.13=PVC WHITE#630 T0.15MM.

20.24=ML AE9V (PEARL)

### **Edge**

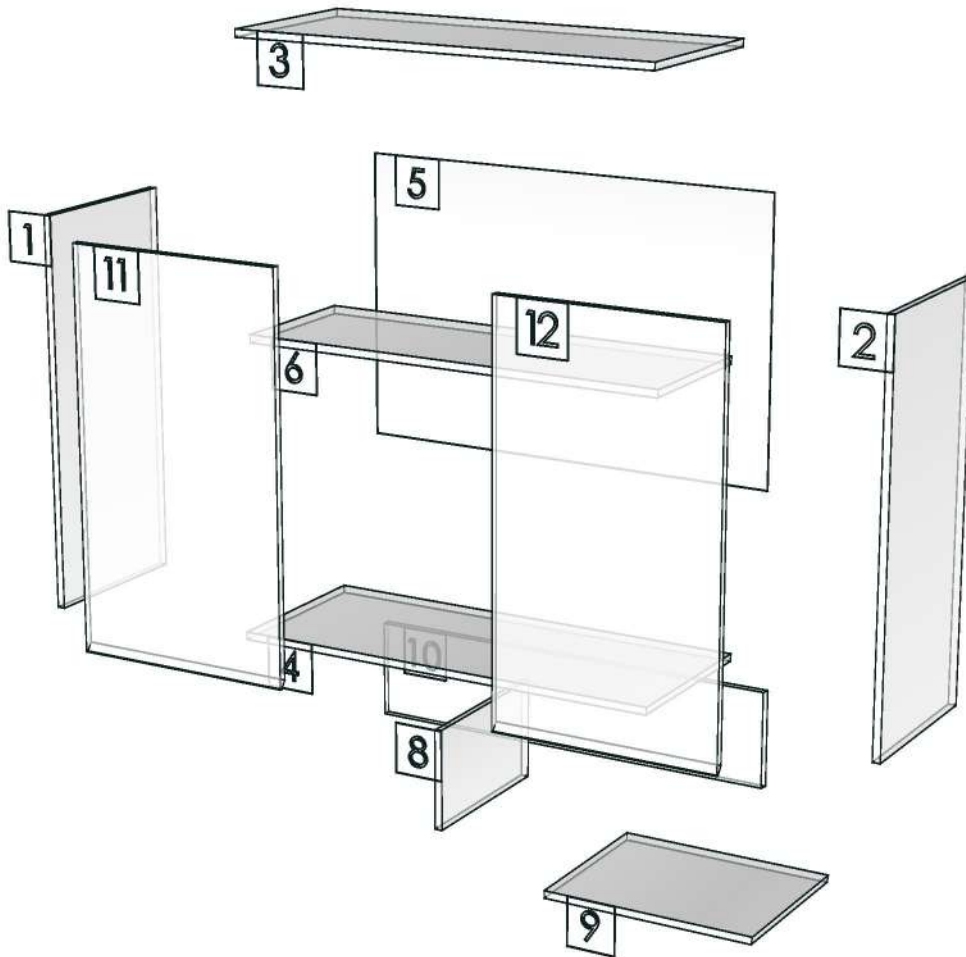
01.255=1 RHODES AP7

01.47=1 WHITE

K114L-160129206



<b>Model</b>	-REFERENCE_DL90SL		
<b>Creator</b>		<b>.BCP Name</b>	INDEX_C3D_KITCHEN2
<b>Reviewer</b>		<b>Order</b>	I002709
<b>Approves</b>		<b>Date</b>	



<b>Model</b>	REFERENCE_DLO20		
<b>Creator</b>	PASATHORN	<b>.BCP Name</b>	INDEX_C3D_KITCHEN2
<b>Reviewer</b>		<b>Order</b>	I002710
<b>Approves</b>	P.SAWAI	<b>Date</b>	18/10/2023

## REFERENCE\_DLO20-200X350X800

### Colour

02.43=FOIL AP7 AQ-152-12KBWG (AQ PAPER)

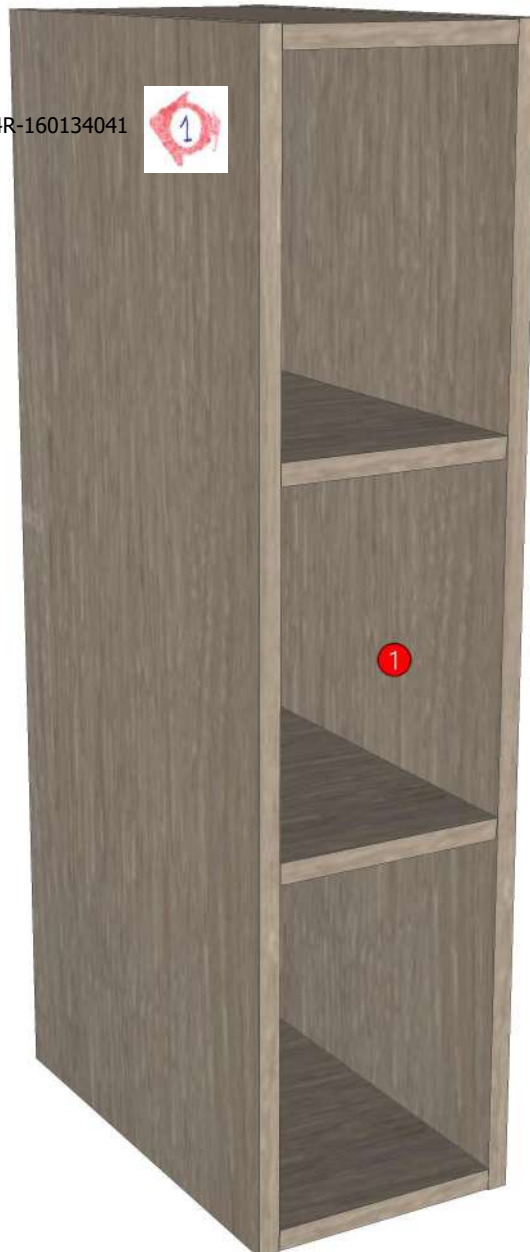
### Edge

01.255=1 RHODES AP7

<b>R&amp;D REVIEW</b>	
<input checked="" type="checkbox"/>	DWG.Customer
<input checked="" type="checkbox"/>	Work Report
<input type="checkbox"/>	Function
<input type="checkbox"/>	สินค้าตรงตัวอย่าง
ผู้ทบทวน P.SAWAI	
18/10/2023	

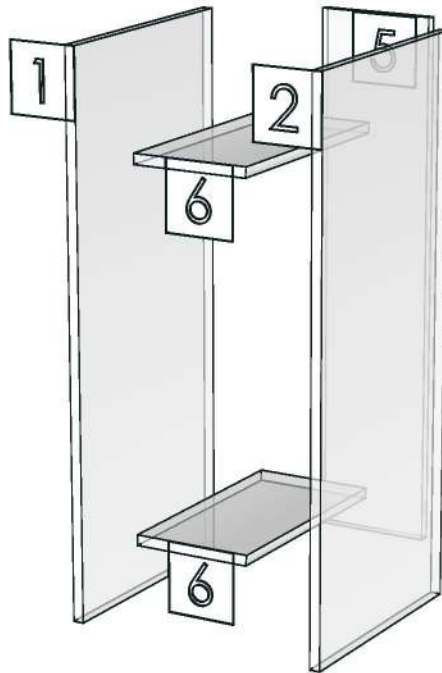
K114L-160129206

K124R-160134041



ปิดขอบด้วยกาว PUR

<b>Model</b>	-REFERENCE_DLO20		
<b>Creator</b>		<b>.BCP Name</b>	INDEX_C3D_KITCHEN2
<b>Reviewer</b>		<b>Order</b>	I002710
<b>Approves</b>		<b>Date</b>	



<b>Model</b>	REFERENCE_DL60HL		
<b>Creator</b>	PASATHORN	<b>.BCP Name</b>	INDEX_C3D_KITCHEN2
<b>Reviewer</b>		<b>Order</b>	I002704
<b>Approves</b>	P.SAWAI	<b>Date</b>	17/10/2023

## REFERENCE\_DL60HL-600X350X755

### Colour

02.43=FOIL AP7 AQ-152-12KBWG (AQ PAPER)

03.13=PVC WHITE#630 T0.15MM.

20.24=ML AE9V (PEARL)

### Edge

01.255=1 RHODES AP7

01.47=1 WHITE

K113-160134022

K114L-160129206

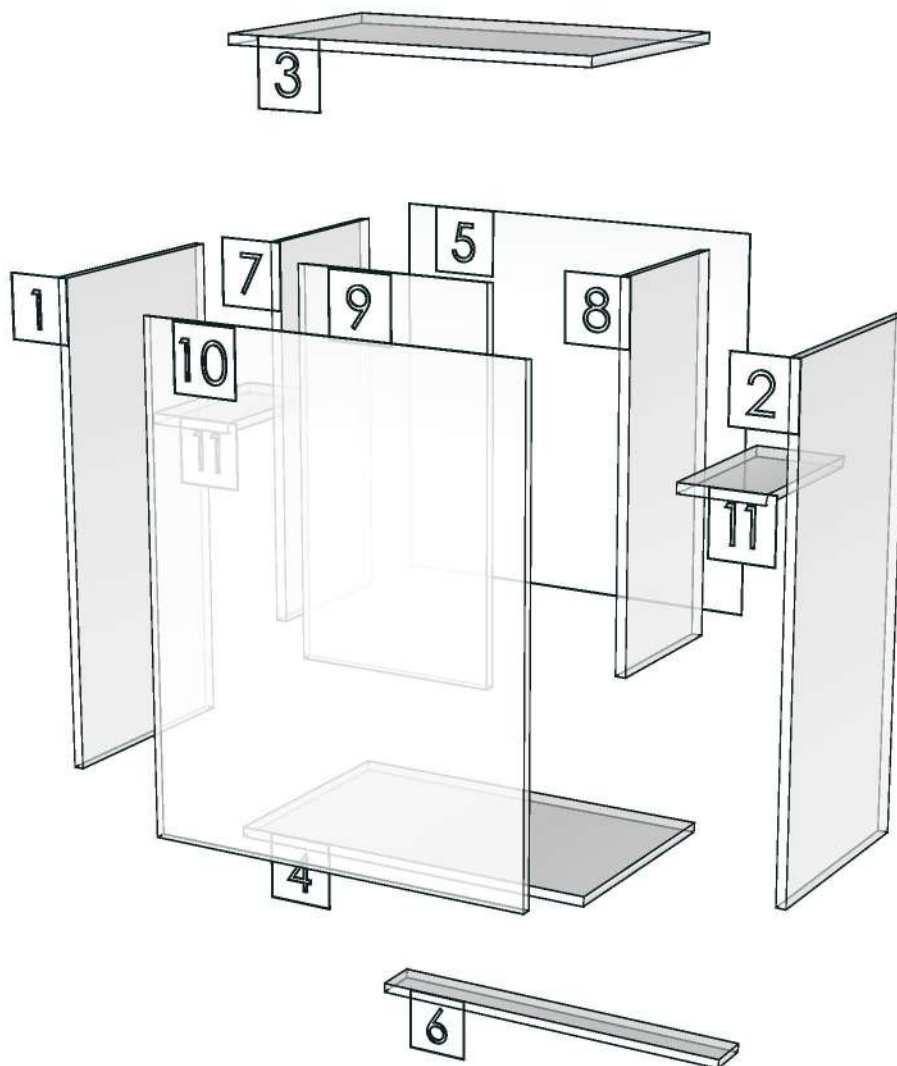
K119R-160134173

<b>R&amp;D REVIEW</b>	
<input checked="" type="checkbox"/>	DWG.Customer
<input checked="" type="checkbox"/>	Work Report
<input type="checkbox"/>	Function
<input type="checkbox"/>	สินค้าตรงตัวอย่าง
ผู้ทบทวน P.SAWAI	
17/10/23	



ปิดขอบด้วยกาว PUR

<b>Model</b>	-REFERENCE_DL60HL		
<b>Creator</b>		<b>.BCP Name</b>	INDEX_C3D_KITCHEN2
<b>Reviewer</b>		<b>Order</b>	I002704
<b>Approves</b>		<b>Date</b>	



<b>Model</b>	REFERENCE_DL69		
<b>Creator</b>	PASATHORN	<b>.BCP Name</b>	INDEX_C3D_KITCHEN2
<b>Reviewer</b>		<b>Order</b>	I002703
<b>Approves</b>	P.SAWAI	<b>Date</b>	17/10/2023

## REFERENCE\_DL69-690X350X800

### Colour

02.43=FOIL AP7 AQ-152-12KBWG (AQ PAPER)

03.13=PVC WHITE#630 T0.15MM.

20.24=ML AE9V (PEARL)

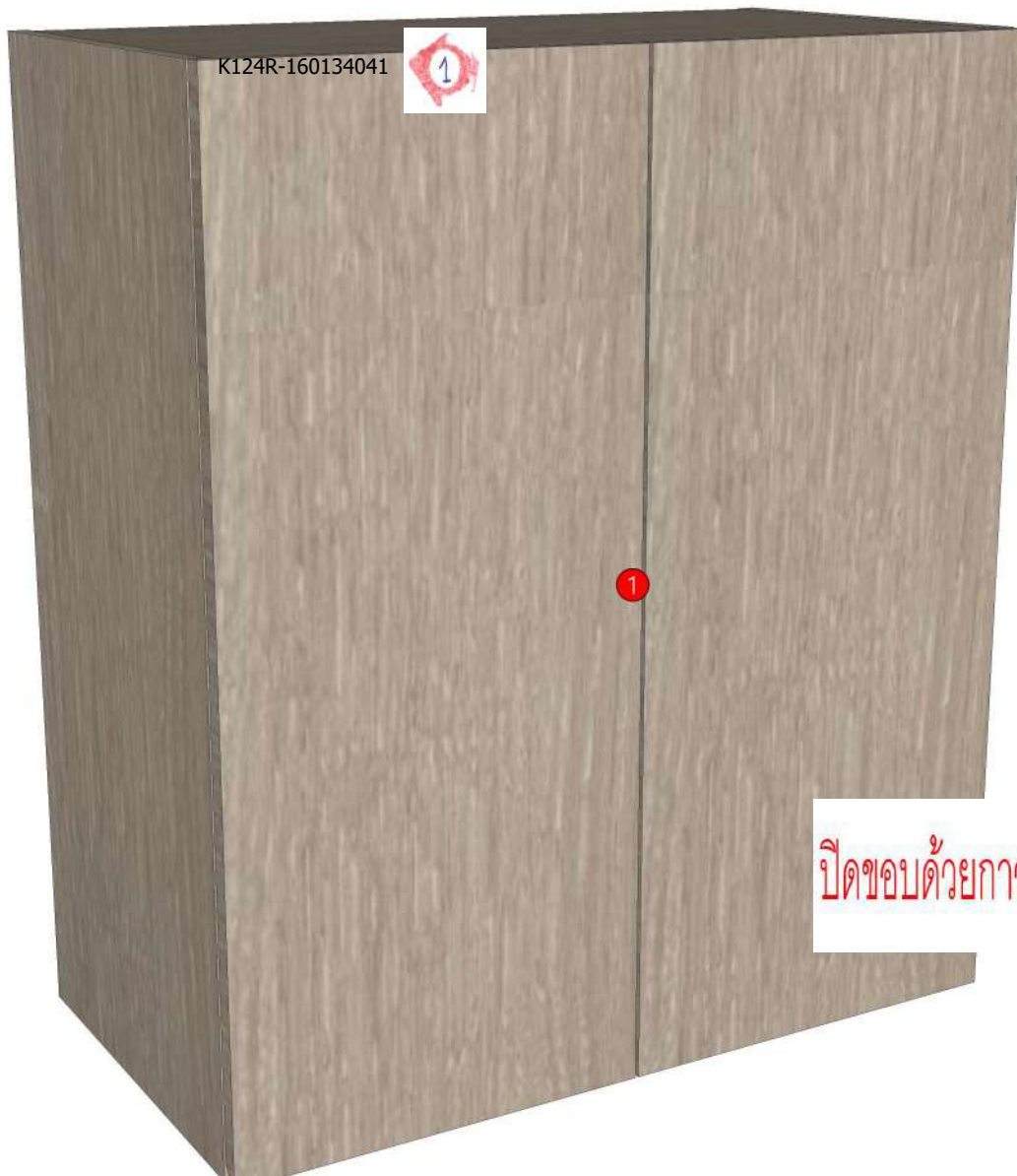
### Edge

01.255=1 RHODES AP7

01.47=1 WHITE

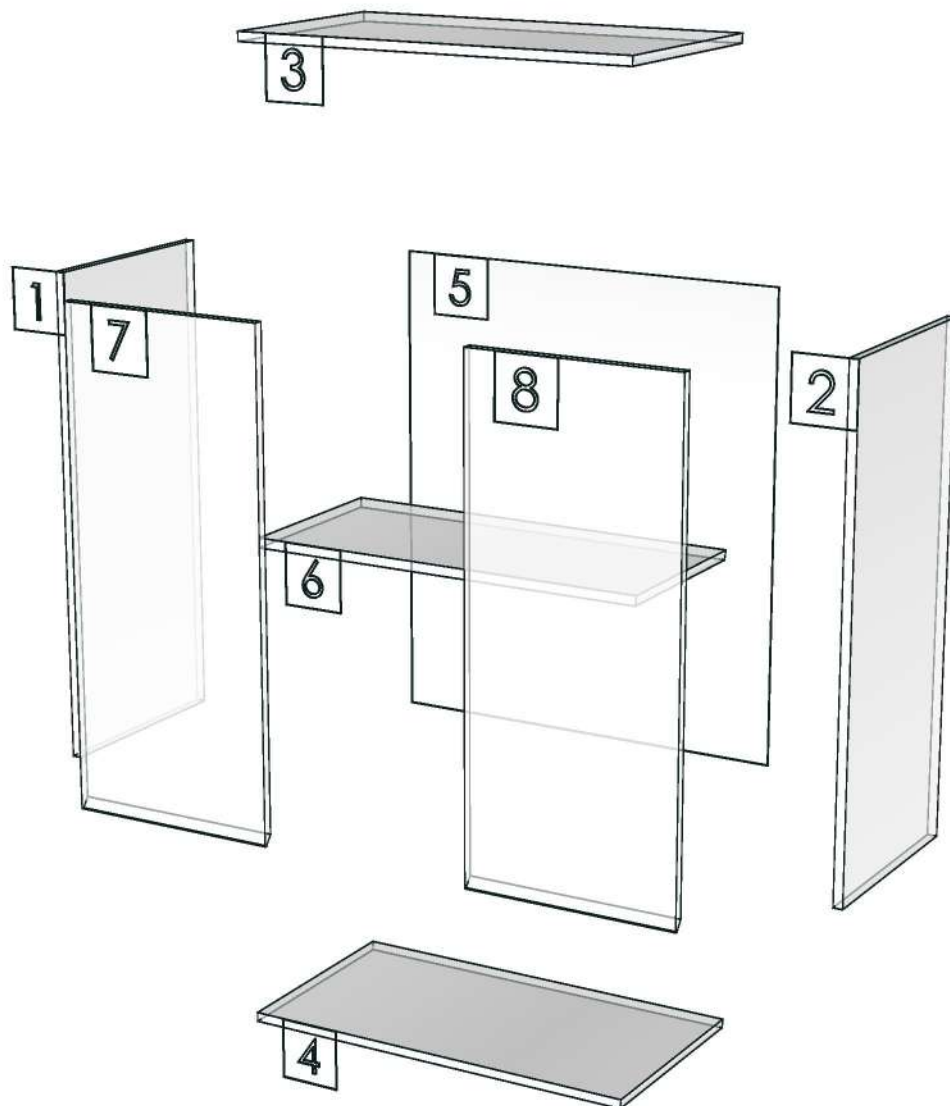


K114L-160129206



K124R-160134041

<b>Model</b>	-REFERENCE_DL69		
<b>Creator</b>		<b>.BCP Name</b>	INDEX_C3D_KITCHEN2
<b>Reviewer</b>		<b>Order</b>	I002703
<b>Approves</b>		<b>Date</b>	



<b>Model</b>	REFERENCE_DT50LS		
<b>Creator</b>	PASATHORN	<b>.BCP Name</b>	INDEX_C3D_KITCHEN2
<b>Reviewer</b>		<b>Order</b>	I002711
<b>Approves</b>	P.SAWAI	<b>Date</b>	19/10/2023

## REFERENCE\_DT50LS-500X450X2300

### Colour

02.43=FOIL AP7 AQ-152-12KBWG (AQ PAPER)  
02.56=PAPER FOIL 60GMS.WHITE PEARL #VC-70146-MB-60G  
20.24=ML AE9V (PEARL)



### Edge

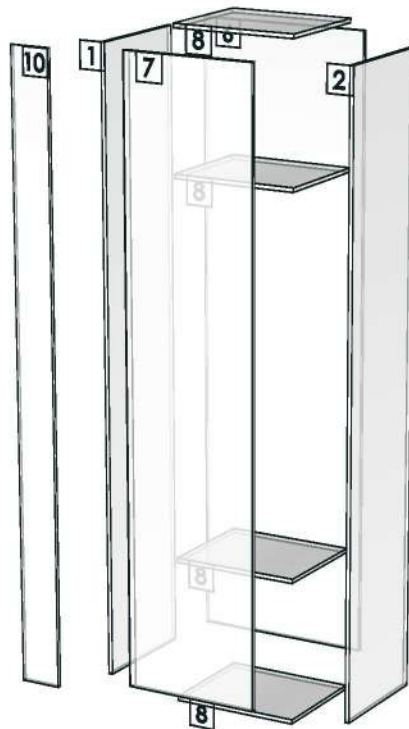
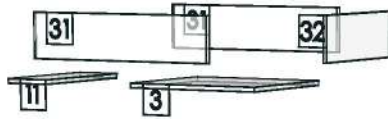
01.255=1 RHODES AP7  
01.47=1 WHITE

<b>R&amp;D REVIEW</b>	
<input checked="" type="checkbox"/>	DWG.Customer
<input checked="" type="checkbox"/>	Work Report
<input type="checkbox"/>	Function
<input type="checkbox"/>	สินค้าตรงตัวอย่าง
ผู้ทบทวน P.SAWAI	

K114L-160129206



<b>Model</b>	-REFERENCE_DT50LS		
<b>Creator</b>		<b>.BCP Name</b>	INDEX_C3D_KITCHEN2
<b>Reviewer</b>		<b>Order</b>	I002711
<b>Approves</b>		<b>Date</b>	



<b>Model</b>	REFERENCE_D_BOX1400		
<b>Creator</b>	PASATHORN	<b>.BCP Name</b>	INDEX_C3D_KITCHEN2
<b>Reviewer</b>		<b>Order</b>	I002718
<b>Approves</b>	P.SAWAI	<b>Date</b>	23/10/2023

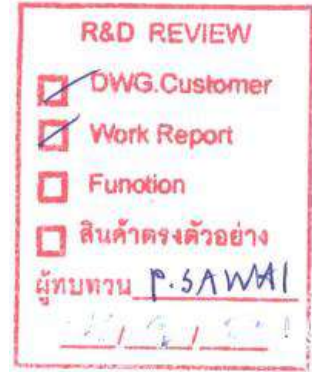
## REFERENCE\_D\_BOX1400-1400X200X1500

**Colour**

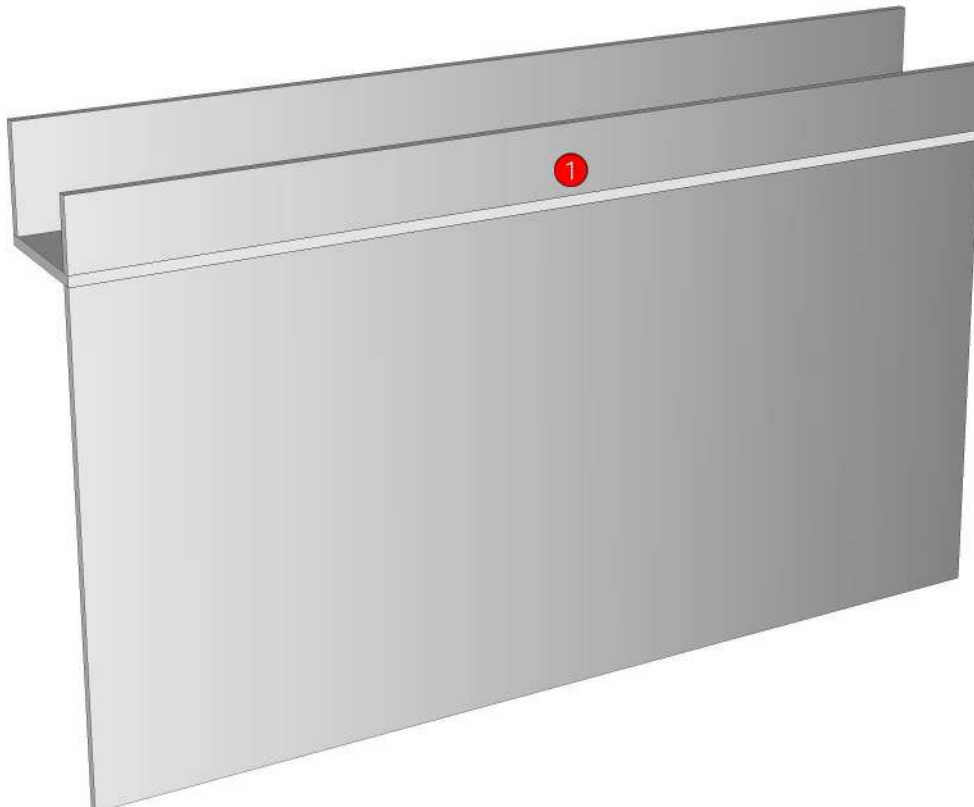
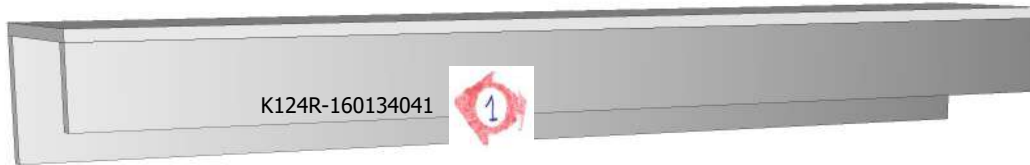
02.56=PAPER FOIL 60GMS.WHITE PEARL #VC-70146-MB-60G

**Edge**

01.47=1 WHITE



K114L-160129206



<b>Model</b>	REFERENCE_DEP1950		
<b>Creator</b>	PASATHORN	<b>.BCP Name</b>	INDEX_C3D_KITCHEN2
<b>Reviewer</b>		<b>Order</b>	I002707
<b>Approves</b>	P.SAWAI	<b>Date</b>	18/10/2023

## REFERENCE\_DEP1950-1950X16X838

**Colour**

20.01=ML.MFI599\_PEARL

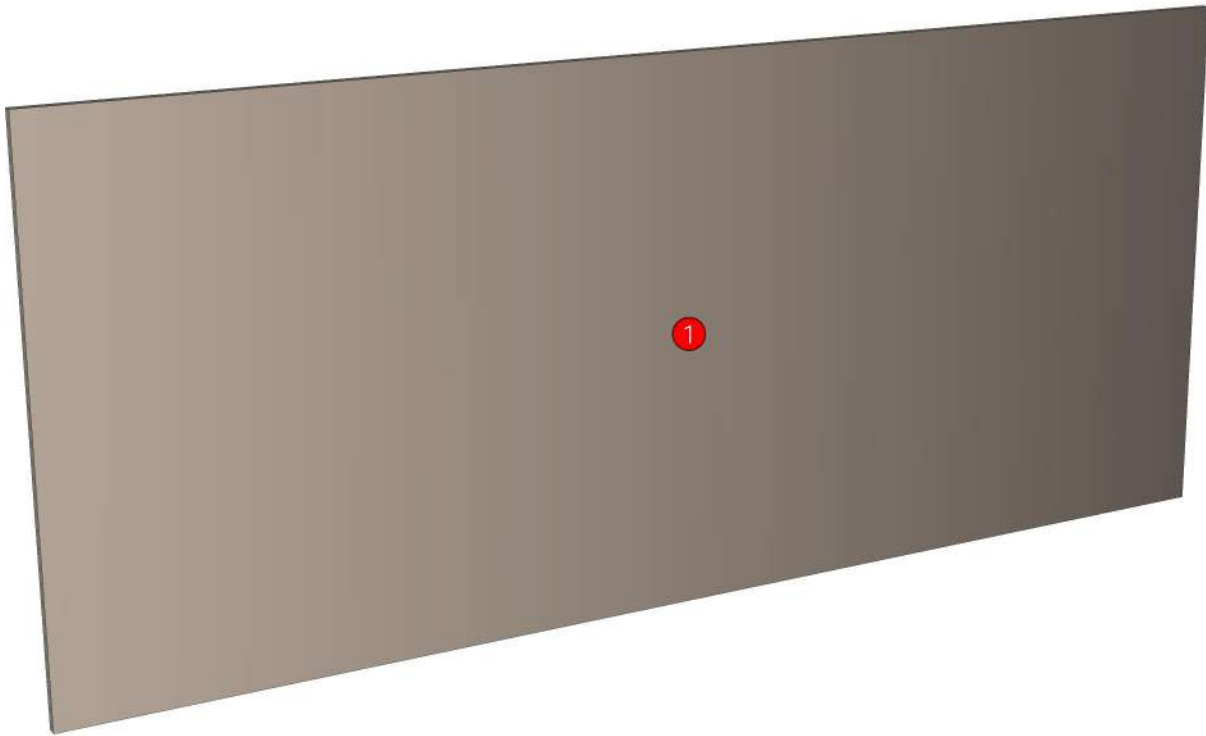
**Edge**

01.319=1 MFI599 PEARL

<b>R&amp;D REVIEW</b>	
<input checked="" type="checkbox"/>	DWG.Customer
<input checked="" type="checkbox"/>	Work Report
<input type="checkbox"/>	Function
<input type="checkbox"/>	สินค้าตรงตัวอย่าง
ผู้ทบทวน P.SAWAI	
18/10/23	

K114L-160129206

K124R-160134041



<b>Model</b>	REFERENCE_DEP583		
<b>Creator</b>	PASATHORN	<b>.BCP Name</b>	INDEX_C3D_KITCHEN2
<b>Reviewer</b>		<b>Order</b>	I002706
<b>Approves</b>	P.SAWAI	<b>Date</b>	18/10/2023

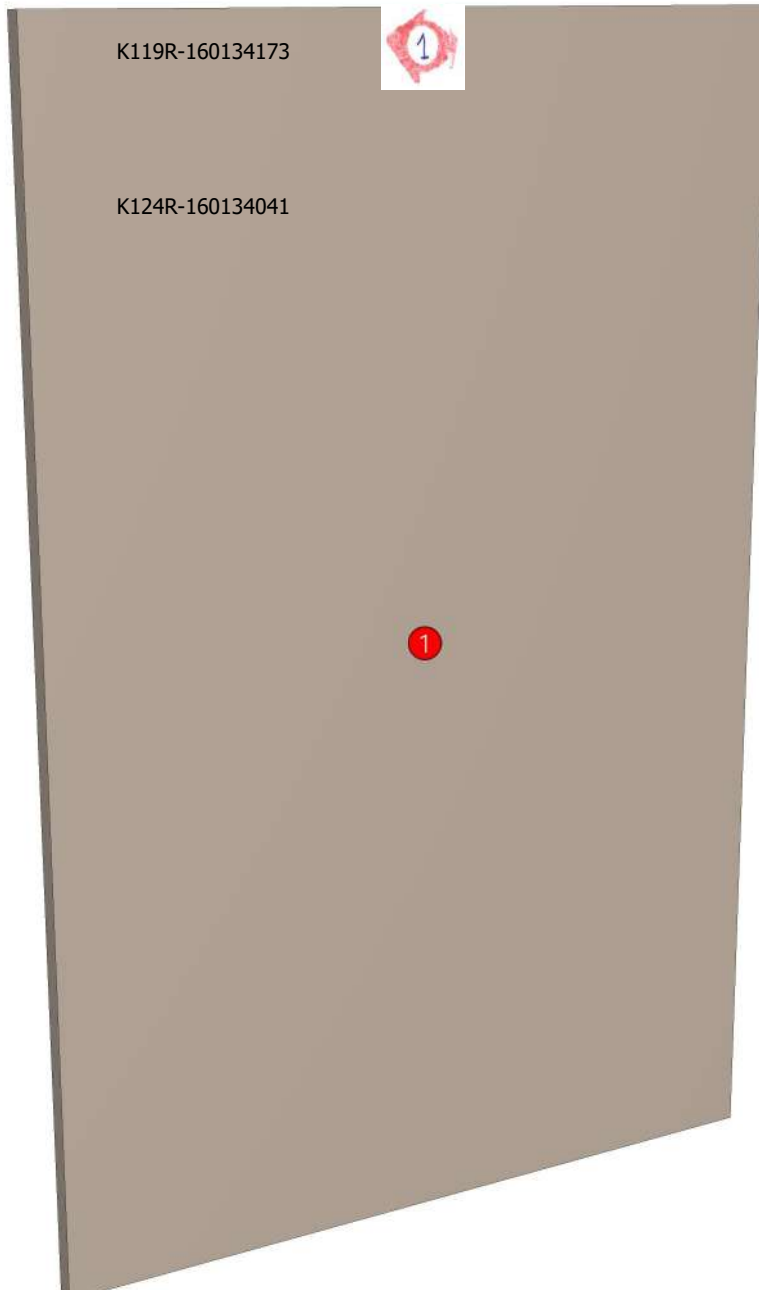
## REFERENCE\_DEP583-583X16X888

**Colour**  
20.01=ML.MFI599\_PEARL

**Edge**  
01.319=1 MFI599 PEARL

<b>R&amp;D REVIEW</b>	
<input checked="" type="checkbox"/>	DWG.Customer
<input checked="" type="checkbox"/>	Work Report
<input type="checkbox"/>	Function
<input type="checkbox"/>	สินค้าตรงตัวอย่าง
ผู้ทบทวน P.SAWAI	
18/10/2023	

K114L-160129206



K119R-160134173

K124R-160134041

<b>Model</b>	REFERENCE_DFB		
<b>Creator</b>	PASATHORN	<b>.BCP Name</b>	INDEX_C3D_KITCHEN2
<b>Reviewer</b>		<b>Order</b>	I002376
<b>Approves</b>	P.SAWAI	<b>Date</b>	21/06/2023

## REFERENCE\_DFB-150X15X838

### Colour

02.43=FOIL AP7 AQ-152-12KBWG (AQ PAPER)

### Edge

01.255=1 RHODES AP7

<b>R&amp;D REVIEW</b>	
<input checked="" type="checkbox"/>	DWG.Customer
<input checked="" type="checkbox"/>	Work Report
<input type="checkbox"/>	Function
<input type="checkbox"/>	สินค้าตรงตัวอย่าง
ผู้ทบทวน <u>P.SAWAI</u>	
<u>21/06/2023</u>	

K126R-160131546

K113-160134022

K114L-160129206

K117L-160123170

K118R-160131219

K119R-160134173

K122L-160123183

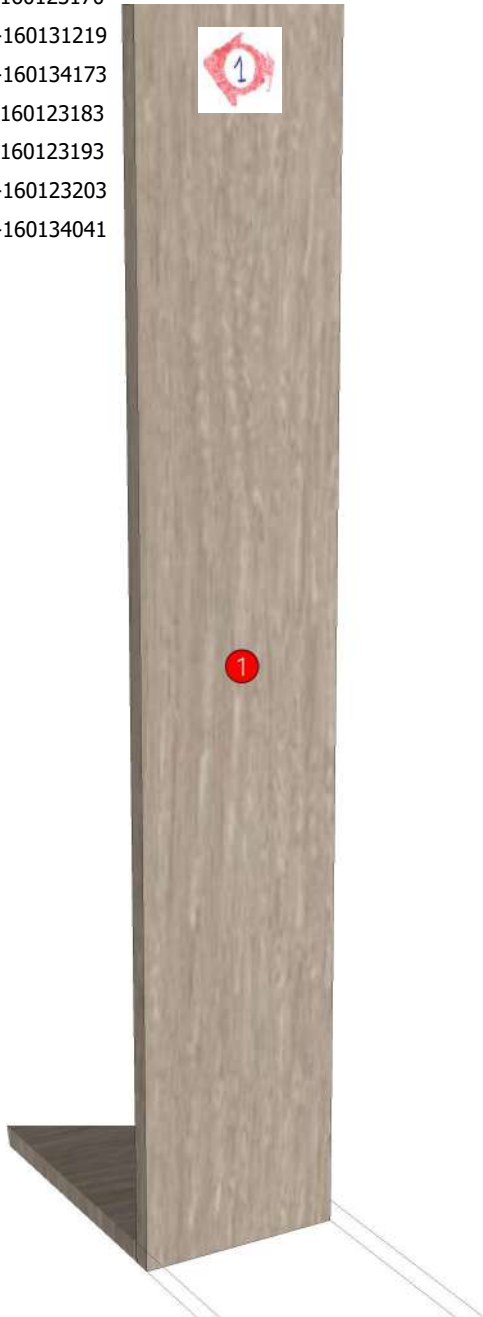
K123L-160123193

K109R-160123138

K123R-160123203

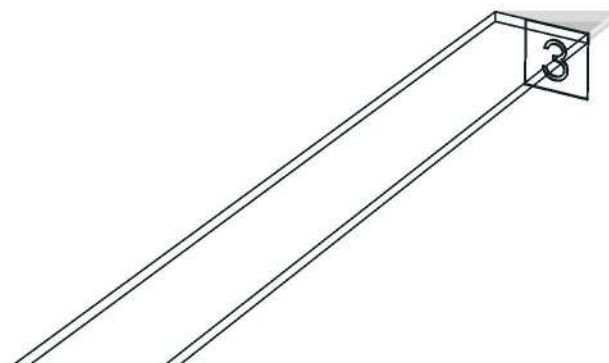
K110R-160123152

K124R-160134041



ปิดขอบด้วยกาว PUR

<b>Model</b>	-REFERENCE_DFB		
<b>Creator</b>		<b>.BCP Name</b>	INDEX_C3D_KITCHEN2
<b>Reviewer</b>		<b>Order</b>	I002376
<b>Approves</b>		<b>Date</b>	



<b>Model</b>	REFERENCE_DFL		
<b>Creator</b>	PASATHORN	<b>.BCP Name</b>	INDEX_C3D_KITCHEN2
<b>Reviewer</b>		<b>Order</b>	I002377
<b>Approves</b>	P.SAWAI	<b>Date</b>	21/06/2023

## REFERENCE\_DFL-150X15X800

### Colour

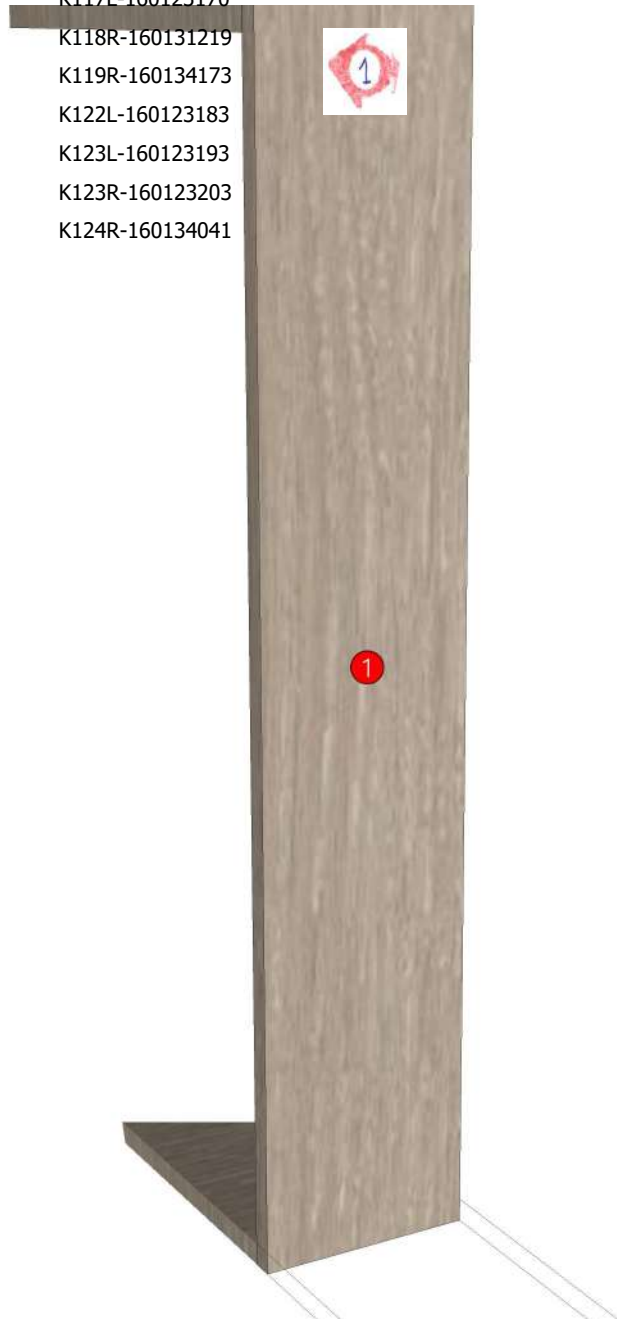
02.43=FOIL AP7 AQ-152-12KBWG (AQ PAPER)

### Edge

01.255=1 RHODES AP7

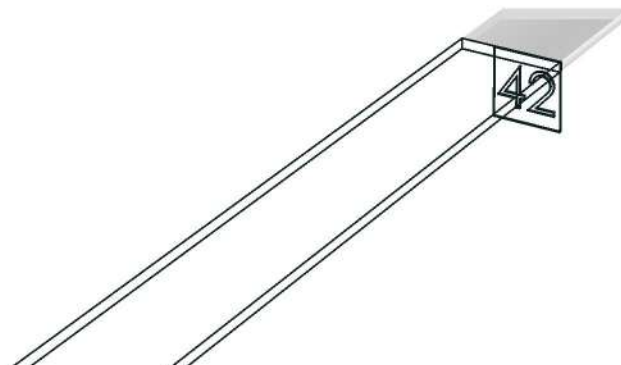
<b>R&amp;D REVIEW</b>	
<input checked="" type="checkbox"/>	DWG.Customer
<input checked="" type="checkbox"/>	Work Report
<input type="checkbox"/>	Function
<input type="checkbox"/>	สินค้าตรงตัวอย่าง
ผู้ทบทวน P.SAWAI	

K101L-160131176	K112L-160123160	K126R-160131546
	K113-160134022	
	K114L-160129206	
	K117L-160123170	
K103R-160131196	K118R-160131219	
	K119R-160134173	
	K122L-160123183	
	K123L-160123193	
K109R-160123138	K123R-160123203	
K110R-160123152	K124R-160134041	



ปิดขอบด้วยกาว PUR

<b>Model</b>	-REFERENCE_DFL		
<b>Creator</b>		<b>.BCP Name</b>	INDEX_C3D_KITCHEN2
<b>Reviewer</b>		<b>Order</b>	I002377
<b>Approves</b>		<b>Date</b>	



<b>Model</b>	REFERENCE_DFLS		
<b>Creator</b>	PASATHORN	<b>.BCP Name</b>	INDEX_C3D_KITCHEN2
<b>Reviewer</b>		<b>Order</b>	I002702
<b>Approves</b>	P.SAWAI	<b>Date</b>	17/10/2023

## REFERENCE\_DFLS-250X15X800

**Colour**

02.43=FOIL AP7 AQ-152-12KBWG (AQ PAPER)

**Edge**

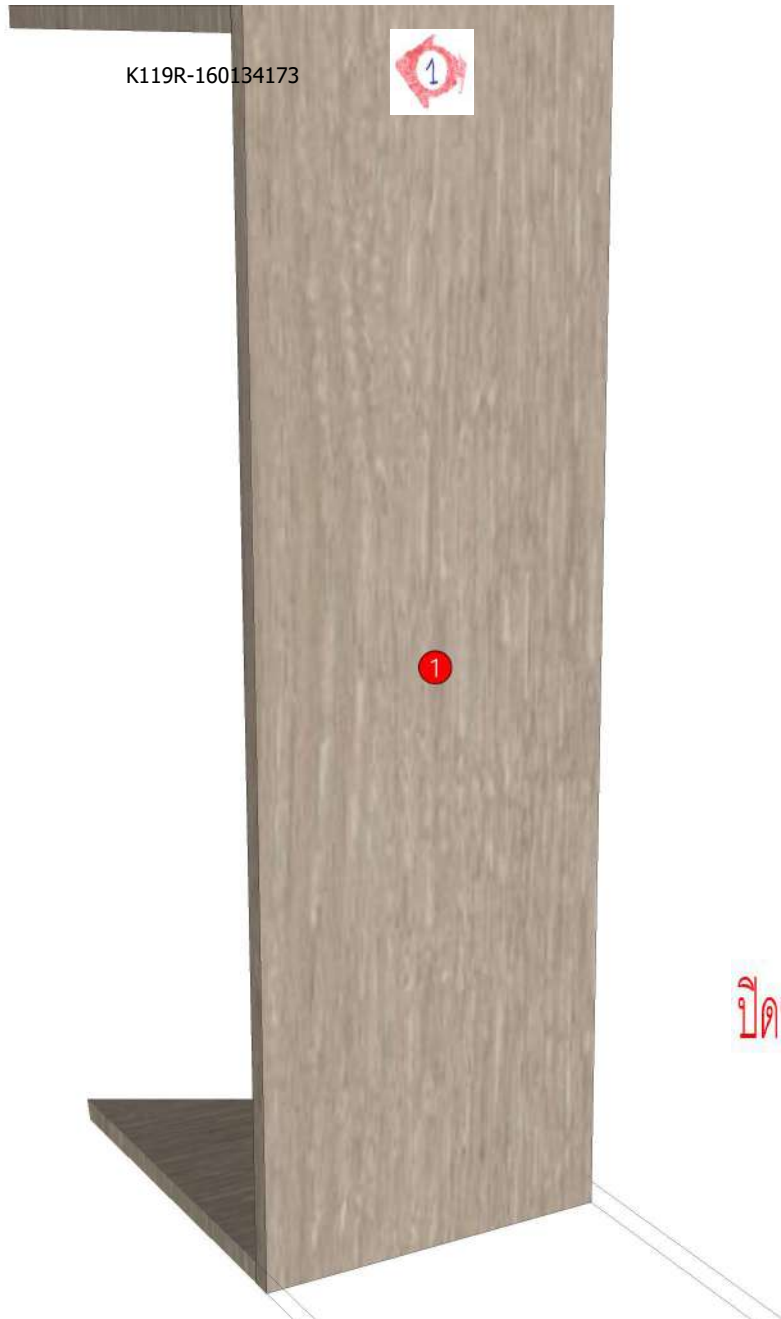
01.255=1 RHODES AP7

<b>R&amp;D REVIEW</b>	
<input checked="" type="checkbox"/>	DWG.Customer
<input checked="" type="checkbox"/>	Work Report
<input type="checkbox"/>	Function
<input type="checkbox"/>	สินค้าตรงตัวอย่าง
ผู้ทบทวน P.SAWAI	
22/10/23	

K113-160134022

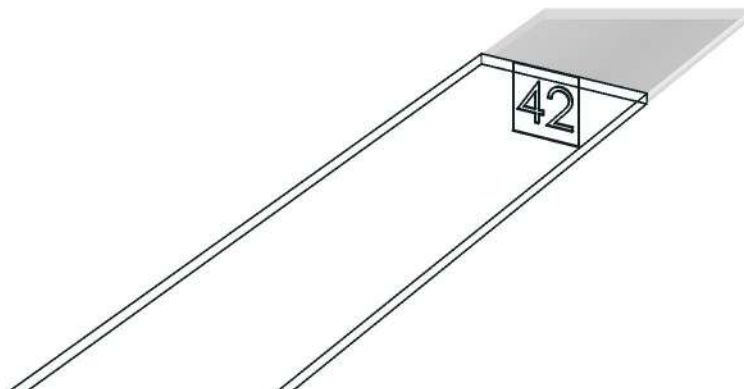
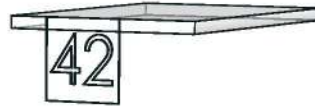
K114L-160129206

K119R-160134173



ปิดขอบด้วยกาว PUR

<b>Model</b>	-REFERENCE_DFLS		
<b>Creator</b>		<b>.BCP Name</b>	INDEX_C3D_KITCHEN2
<b>Reviewer</b>		<b>Order</b>	I002702
<b>Approves</b>		<b>Date</b>	



<b>Model</b>	REFERENCE_DF_CL2430		
<b>Creator</b>	PASATHORN	<b>.BCP Name</b>	INDEX_C3D_KITCHEN2
<b>Reviewer</b>		<b>Order</b>	I002696
<b>Approves</b>	P.SAWAI	<b>Date</b>	17/10/2023

## REFERENCE\_DF\_CL2430-2430X12X150

**Colour**

02.43=FOIL AP7 AQ-152-12KBWG (AQ PAPER)

**Edge**

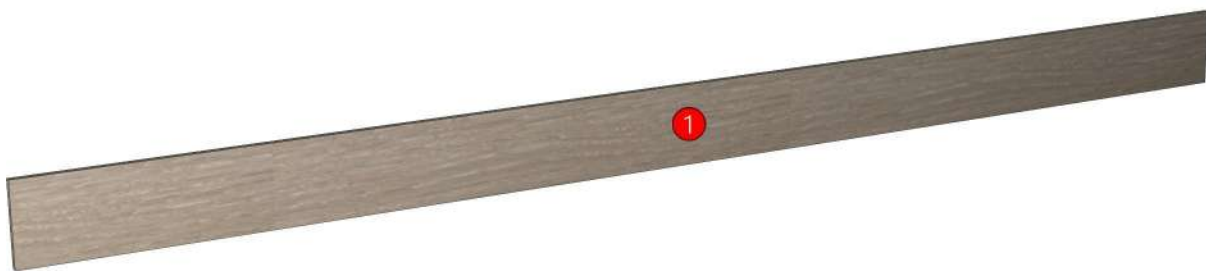
01.255=1 RHODES AP7



K114L-160129206

K103R-160131196

K124R-160134041



ปิดขอบด้วยกาว PUR

<b>Model</b>	REFERENCE_DF_CL1550		
<b>Creator</b>	PASATHORN	<b>.BCP Name</b>	INDEX_C3D_KITCHEN2
<b>Reviewer</b>		<b>Order</b>	I002371
<b>Approves</b>	P. SAWAI	<b>Date</b>	20/06/2023

## REFERENCE\_DF\_CL1550-1550X12X150

**Colour**

02.43=FOIL AP7 AQ-152-12KBWG (AQ PAPER)

**Edge**

01.255=1 RHODES AP7

<b>R&amp;D REVIEW</b>	
<input checked="" type="checkbox"/>	DWG.Customer
<input checked="" type="checkbox"/>	Work Report
<input type="checkbox"/>	Function
<input type="checkbox"/>	สินค้าตรงตัวอย่าง
ผู้ทบทวน P. SAWAI	
20/06/2023	

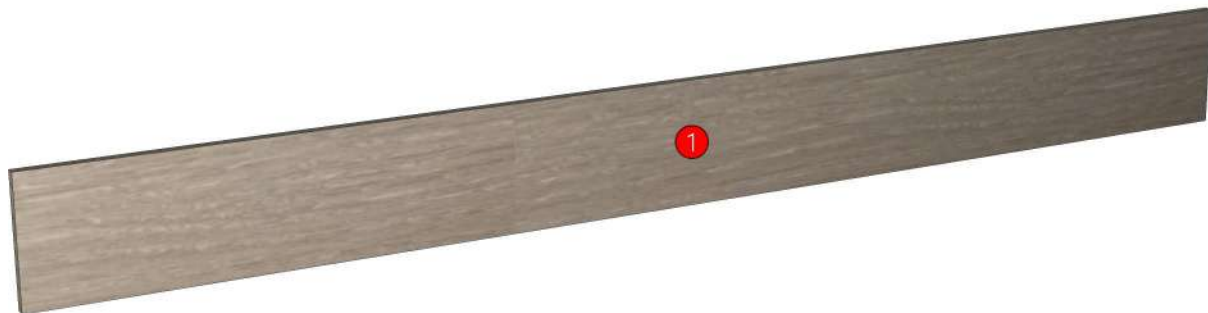
K113-160134022  
K114L-160129206  
K117L-160123170



K124R-160134041



K110R-160123152



ปิดขอบด้วยกาว PUR

<b>Model</b>	REFERENCE_DF_CL350		
<b>Creator</b>	PASATHORN	<b>.BCP Name</b>	INDEX_C3D_KITCHEN2
<b>Reviewer</b>		<b>Order</b>	I002367
<b>Approves</b>	P-SAWAI	<b>Date</b>	20/06/2023

## REFERENCE\_DF\_CL350-350X12X150

### Colour

02.43=FOIL AP7 AQ-152-12KBWG (AQ PAPER)

### Edge

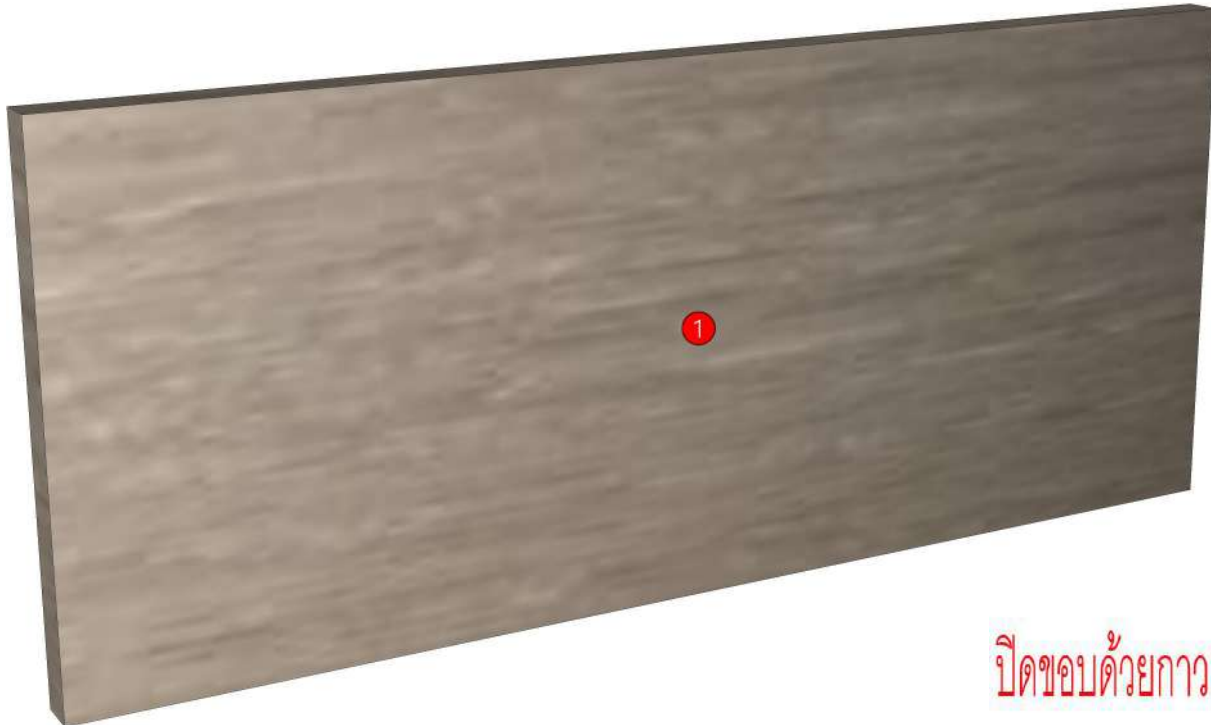
01.255=1 RHODES AP7

K100L-160131166  
K101L-160131176  
K102L-160131186  
K102R-160123111  
K103R-160131196  
K105R-160131209  
K108L-160123120  
K108R-160123129  
K109R-160123138  
K110R-160123152

K112L-160123160  
K113-160134022  
K114L-160129206  
K117L-160123170  
K118R-160131219  
K119R-160134173  
K122L-160123183  
K123L-160123193  
K123R-160123203  
K124R-160134041

K126R-160131546  
K127L-160134193

<b>R&amp;D REVIEW</b>	
<input checked="" type="checkbox"/>	DWG.Customer
<input checked="" type="checkbox"/>	Work Report
<input type="checkbox"/>	Function
<input type="checkbox"/>	สินค้าตรงตัวอย่าง
ผู้ทบทวน P-SAWAI	
20/6/23	



ปิดขอบด้วยกาว PUR

<b>Model</b>	REFERENCE_D_PLT1950		
<b>Creator</b>	PASATHORN	<b>.BCP Name</b>	INDEX_C3D_KITCHEN2
<b>Reviewer</b>		<b>Order</b>	I002699
<b>Approves</b>	P. SAWAI	<b>Date</b>	17/10/2023

## REFERENCE\_D\_PLT1950-1950X12X100

**Colour**

02.43=FOIL AP7 AQ-152-12KBWG (AQ PAPER)

**Edge**

01.255=1 RHODES AP7

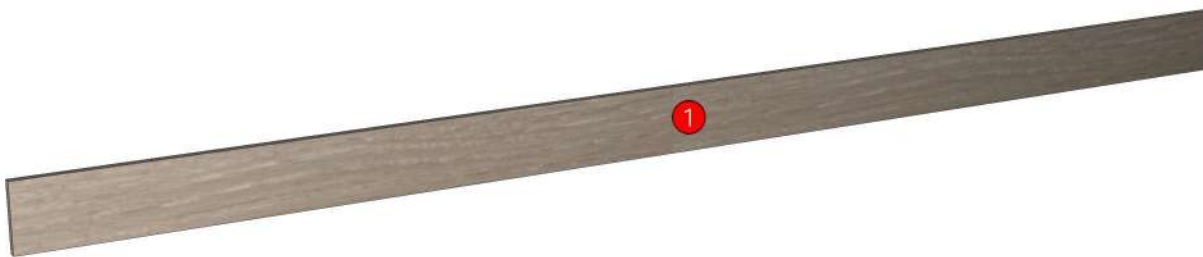
<b>R&amp;D REVIEW</b>	
<input checked="" type="checkbox"/>	DWG. Customer
<input checked="" type="checkbox"/>	Work Report
<input type="checkbox"/>	Function
<input type="checkbox"/>	สินค้าตรงตัวอย่าง
ผู้ทบทวน <u>P. SAWAI</u>	
<u>17/10/2023</u>	

K114L-160129206

K119R-160134173



K124R-160134041



ปิดขอบด้วยกาว PUR

<b>Model</b>	-REFERENCE_D_PLT1950		
<b>Creator</b>		<b>.BCP Name</b>	INDEX_C3D_KITCHEN2
<b>Reviewer</b>		<b>Order</b>	I002699
<b>Approves</b>		<b>Date</b>	



<b>Model</b>	REFERENCE_D_PLT1650		
<b>Creator</b>	PASATHORN	<b>.BCP Name</b>	INDEX_C3D_KITCHEN2
<b>Reviewer</b>		<b>Order</b>	I002698
<b>Approves</b>	P.SAWAI	<b>Date</b>	17/10/2023

## REFERENCE\_D\_PLT1650-1650X12X100

### Colour

02.43=FOIL AP7 AQ-152-12KBWG (AQ PAPER)

### Edge

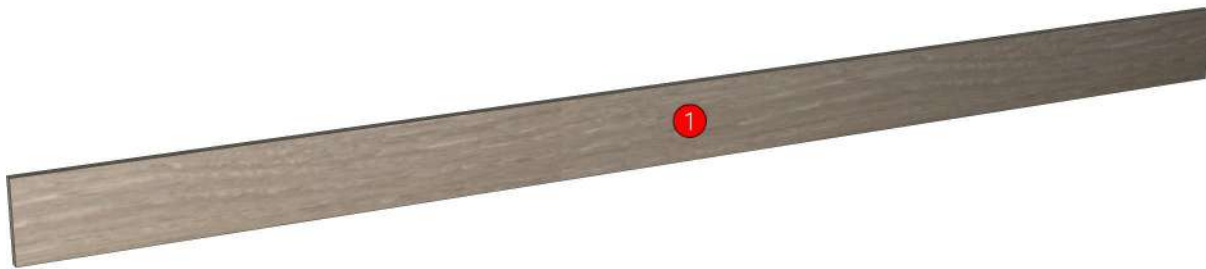
01.255=1 RHODES AP7

R&D REVIEW	
<input checked="" type="checkbox"/>	DWG.Customer
<input checked="" type="checkbox"/>	Work Report
<input type="checkbox"/>	Function
<input type="checkbox"/>	สินค้าตรงตัวอย่าง
ผู้ทบทวน P.SAWAI	
17/10/2023	

K113-160134022  
K114L-160129206



K124R-160134041



ปิดขอบด้วยกาว PUR

<b>Model</b>	REFERENCE_D_PLT1550		
<b>Creator</b>	PASATHORN	<b>.BCP Name</b>	INDEX_C3D_KITCHEN2
<b>Reviewer</b>		<b>Order</b>	I002366
<b>Approves</b>	P-SAWAI	<b>Date</b>	20/06/2023

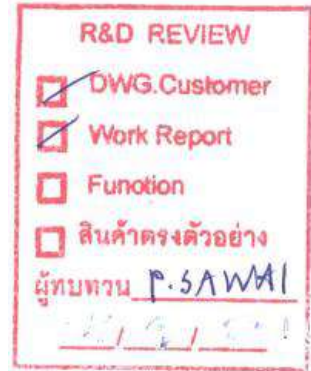
## REFERENCE\_D\_PLT1550-1550X12X100

**Colour**

02.43=FOIL AP7 AQ-152-12KBWG (AQ PAPER)

**Edge**

01.255=1 RHODES AP7

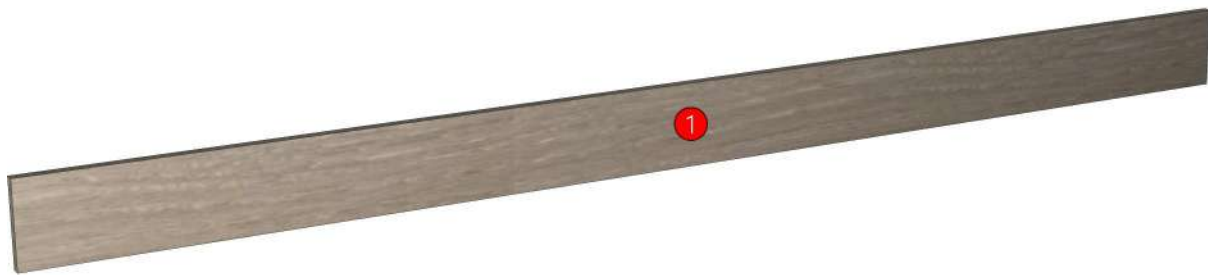


K114L-160129206

K124R-160134041



K110R-160123152



ปิดขอบด้วยกาว PUR

<b>Model</b>	REFERENCE_D_PLT1550		
<b>Creator</b>	PASATHORN	<b>.BCP Name</b>	INDEX_C3D_KITCHEN2
<b>Reviewer</b>		<b>Order</b>	I002366
<b>Approves</b>	P.SAWAI	<b>Date</b>	20/06/2023

## REFERENCE\_D\_PLT1550-1550X12X100

### Colour

02.43=FOIL AP7 AQ-152-12KBWG (AQ PAPER)

### Edge

01.255=1 RHODES AP7

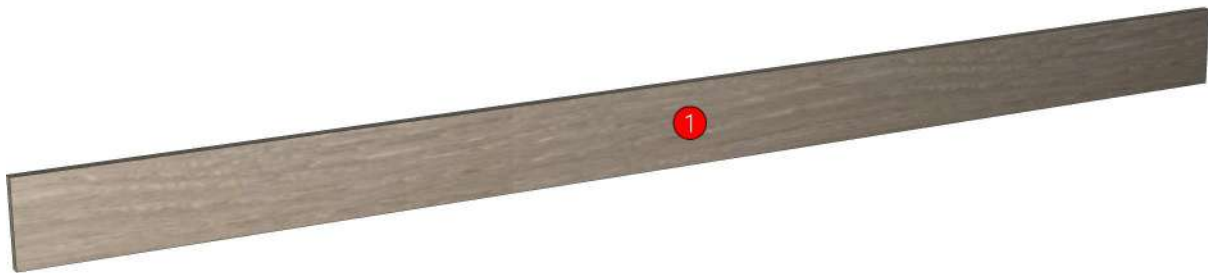
<b>R&amp;D REVIEW</b>	
<input checked="" type="checkbox"/>	DWG.Customer
<input checked="" type="checkbox"/>	Work Report
<input type="checkbox"/>	Function
<input type="checkbox"/>	สินค้าตรงตัวอย่าง
ผู้ทบทวน P.SAWAI	
20/06/2023	

K114L-160129206

K124R-160134041



K110R-160123152



ปิดขอบด้วยกาว PUR

<b>Model</b>	REFERENCE_D_PLT470		
<b>Creator</b>	PASATHORN	<b>.BCP Name</b>	INDEX_C3D_KITCHEN2
<b>Reviewer</b>		<b>Order</b>	I002712
<b>Approves</b>	P.SAWAI	<b>Date</b>	19/10/2023

## REFERENCE\_D\_PLT470-470X12X100

**Colour**

02.43=FOIL AP7 AQ-152-12KBWG (AQ PAPER)

**Edge**

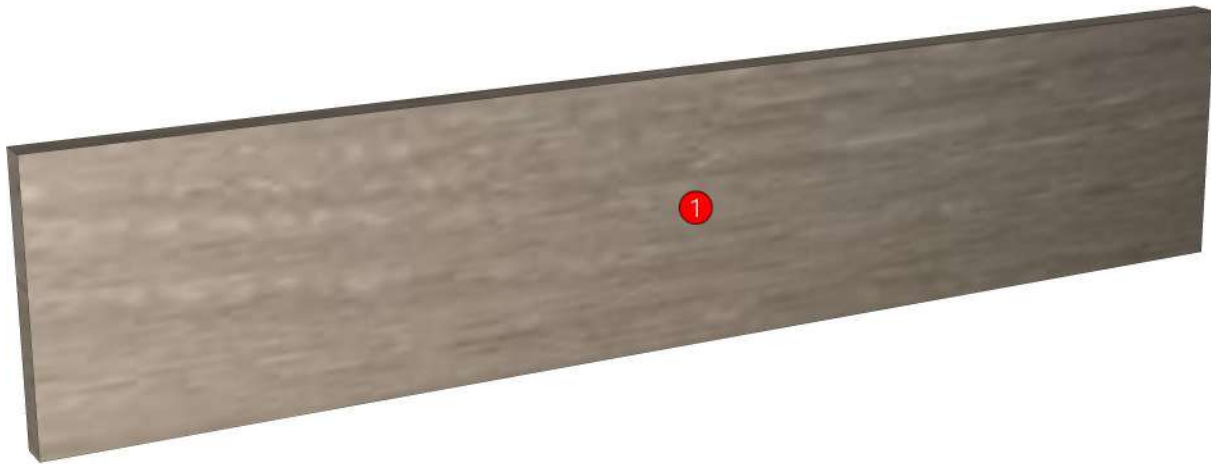
01.255=1 RHODES AP7

K100L-160131166



K114L-160129206

<b>R&amp;D REVIEW</b>	
<input checked="" type="checkbox"/>	DWG.Customer
<input checked="" type="checkbox"/>	Work Report
<input type="checkbox"/>	Function
<input type="checkbox"/>	สินค้าตรงตัวอย่าง
ผู้ทบทวน P.SAWAI	
19/10/2023	



ปิดขอบด้วยกาว PUR

<b>Model</b>	REFERENCE_D_PLT600		
<b>Creator</b>	PASATHORN	<b>.BCP Name</b>	INDEX_C3D_KITCHEN2
<b>Reviewer</b>		<b>Order</b>	I002357
<b>Approves</b>	P.SAWAI	<b>Date</b>	16/06/2023

## REFERENCE\_D\_PLT600-600X12X100

### Colour

02.43=FOIL AP7 AQ-152-12KBWG (AQ PAPER)

### Edge

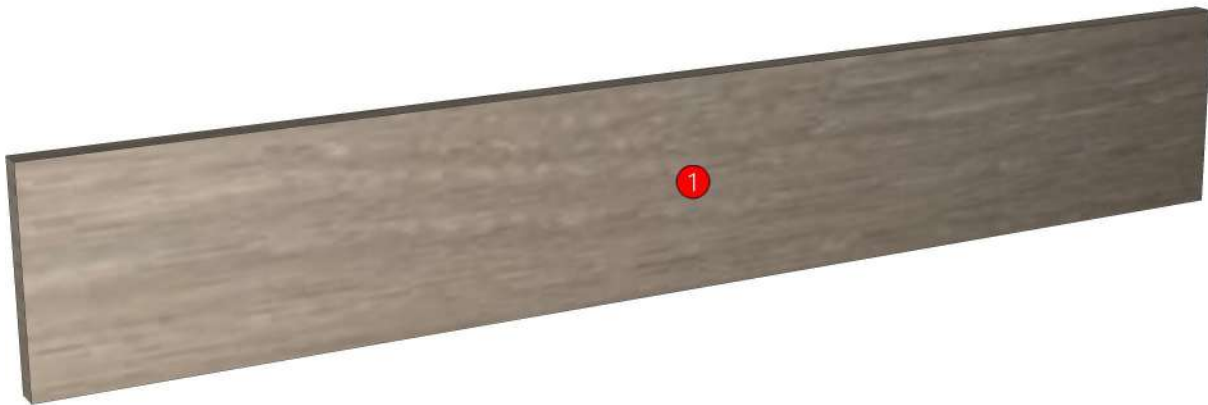
01.255=1 RHODES AP7

K100L-160131166  
K101L-160131176  
K102L-160131186  
K102R-160123111  
K103R-160131196  
K105R-160131209  
K108L-160123120  
K108R-160123129  
K109R-160123138  
K110R-160123152

K112L-160123160  
K113-160134022  
K114L-160129206  
K117L-160123170  
K118R-160131219  
K119R-160134173  
K122L-160123183  
K123L-160123193  
K123R-160123203  
K124R-160134041

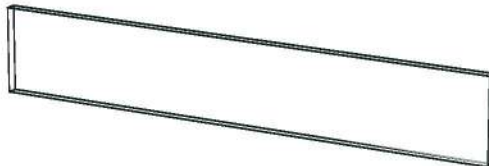
K126R-160131546  
K127L-160134193

<b>R&amp;D REVIEW</b>	
<input checked="" type="checkbox"/>	DWG.Customer
<input checked="" type="checkbox"/>	Work Report
<input type="checkbox"/>	Function
<input type="checkbox"/>	สินค้าตรงตัวอย่าง
ผู้ทบทวน P.SAWAI	
16/06/2023	



ปิดขอบด้วยกาว PUR

<b>Model</b>	-REFERENCE_D_PLT600		
<b>Creator</b>		<b>.BCP Name</b>	INDEX_C3D_KITCHEN2
<b>Reviewer</b>		<b>Order</b>	I002357
<b>Approves</b>		<b>Date</b>	



<b>Model</b>	REFERENCE_DDM1750		
<b>Creator</b>	PASATHORN	<b>.BCP Name</b>	INDEX_C3D_KITCHEN2
<b>Reviewer</b>		<b>Order</b>	I002701
<b>Approves</b>	P.SAWAI	<b>Date</b>	17/10/2023

## REFERENCE\_DDM1750-1750X6X550

**Colour**

03.13=PVC WHITE#630 T0.15MM.

**Edge**

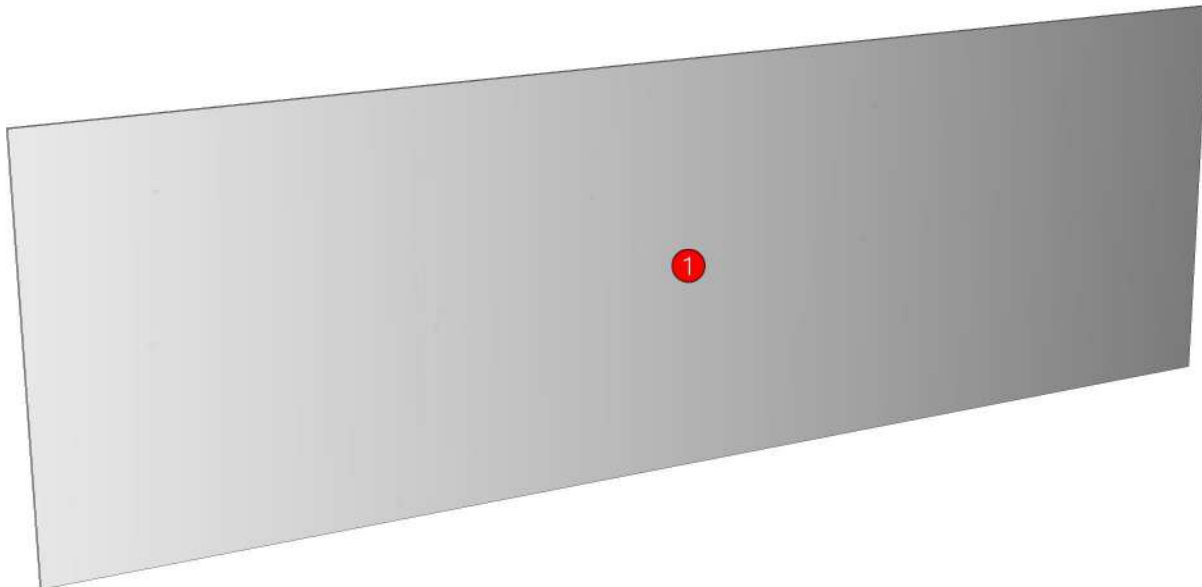
=

<b>R&amp;D REVIEW</b>	
<input checked="" type="checkbox"/>	DWG.Customer
<input checked="" type="checkbox"/>	Work Report
<input type="checkbox"/>	Function
<input type="checkbox"/>	สินค้าตรงตัวอย่าง
ผู้ทบทวน P.SAWAI	
17/10/2023	

K114L-160129206

K118R-160131219

K124R-160134041



<b>Model</b>	REFERENCE_DDM1450		
<b>Creator</b>	PASATHORN	<b>.BCP Name</b>	INDEX_C3D_KITCHEN2
<b>Reviewer</b>		<b>Order</b>	I002700
<b>Approves</b>	P-SAWAI	<b>Date</b>	17/10/2023

## REFERENCE\_DDM1450-1450X6X550

**Colour**

03.13=PVC WHITE#630 T0.15MM.

**Edge**

=

K114L-160129206

K124R-160134041

