

<b>Model</b>	SENA_A_DBH602		
<b>Creator</b>	PASATHORN	<b>.BCP Name</b>	INDEX_C3D_KITCHEN2
<b>Reviewer</b>		<b>Order</b>	I001935
<b>Approves</b>		<b>Date</b>	14/12/2022

## **SENA\_A\_DBH602-600X570X882**

### **Colour**

20.01=ML.MFI599\_PEARL

05.31=ML.COTTAGE OAK AJ2 (WOODGRAIN)

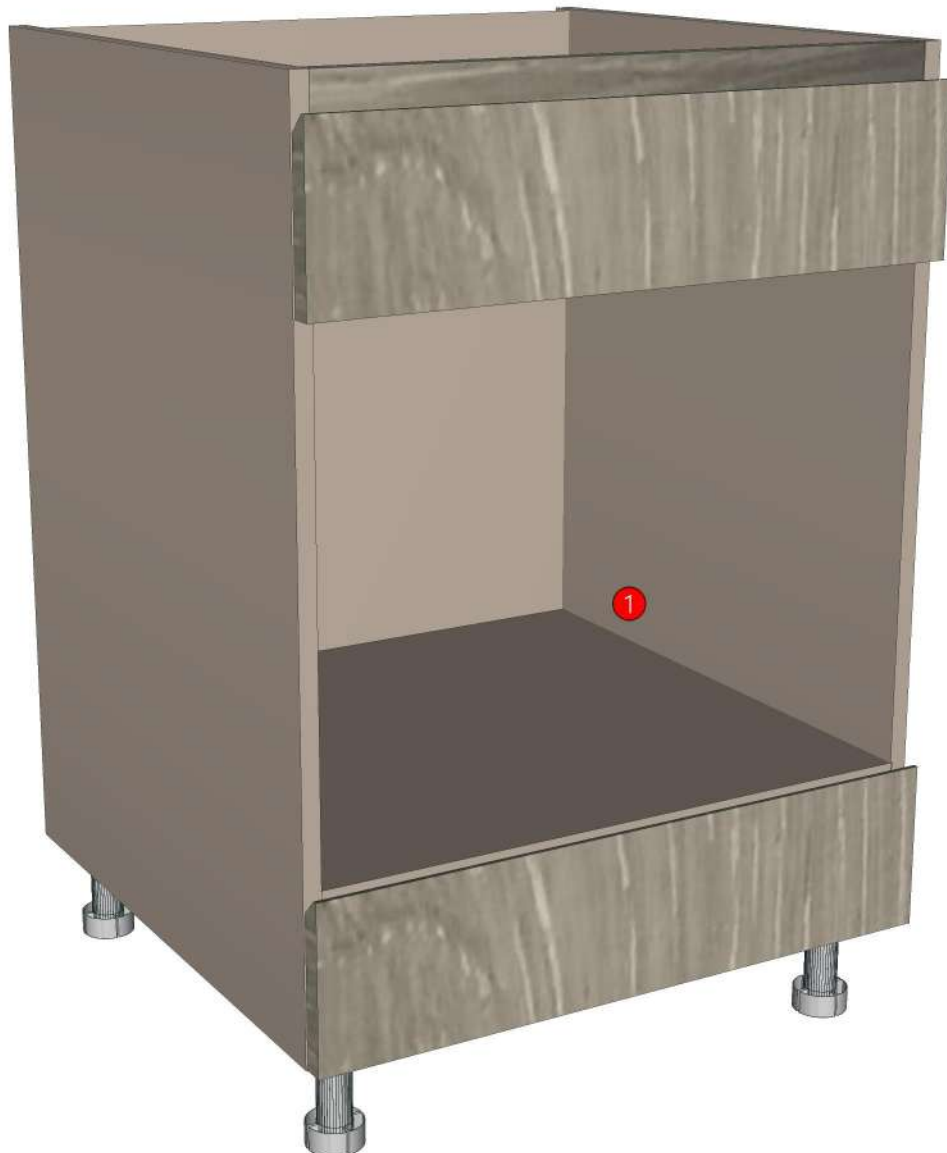
K200L-160126841

K200R-160115755

### **Edge**

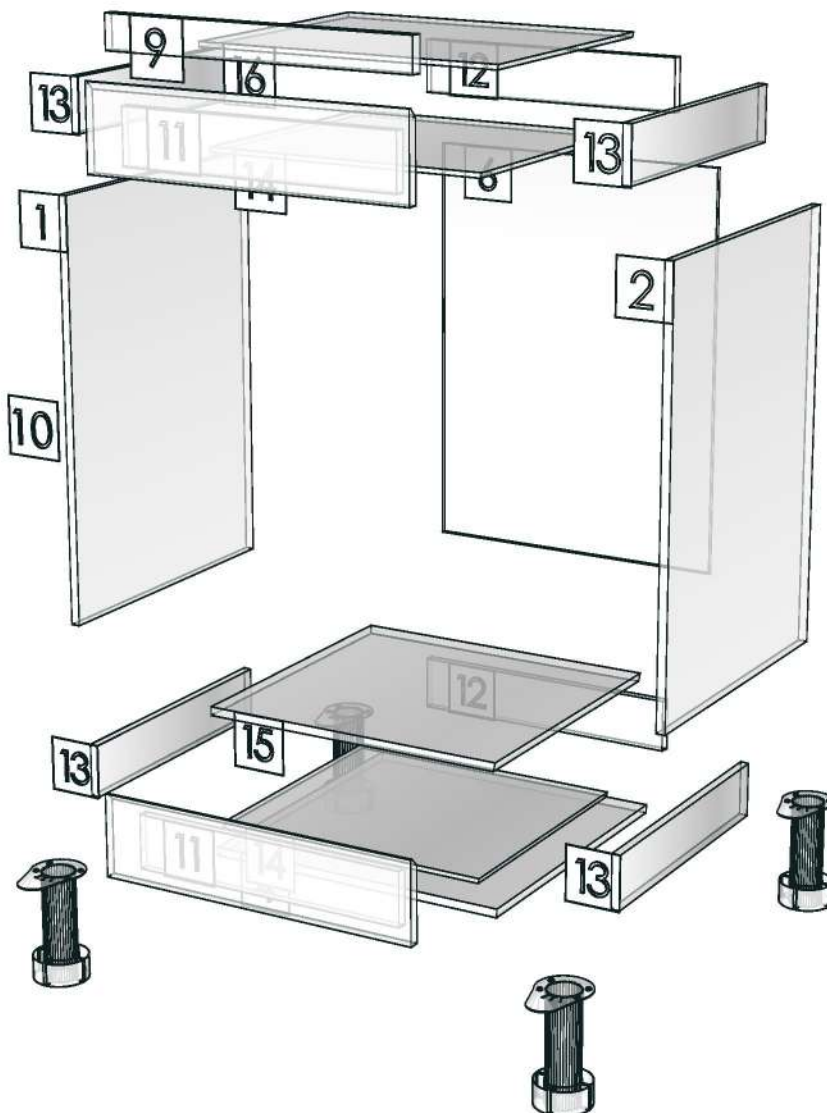
01.319=1 MFI599 PEARL

01.272=1 COTTAGE OAK AJ2 (A457TH00)



<b>Model</b>	-SENA_A_DBH602		
<b>Creator</b>		<b>.BCP Name</b>	INDEX_C3D_KITCHEN2
<b>Reviewer</b>		<b>Order</b>	I001935
<b>Approves</b>		<b>Date</b>	

10



<b>Model</b>	SENA_A_DBS120		
<b>Creator</b>	PASATHORN	<b>.BCP Name</b>	INDEX_C3D_KITCHEN2
<b>Reviewer</b>		<b>Order</b>	I001934
<b>Approves</b>		<b>Date</b>	14/12/2022

## **SENA\_A\_DBS120-1200X570X882**

### **Colour**

20.01=ML.MFI599\_PEARL

05.31=ML.COTTAGE OAK AJ2 (WOODGRAIN)

K200L-160126841

K200R-160115755

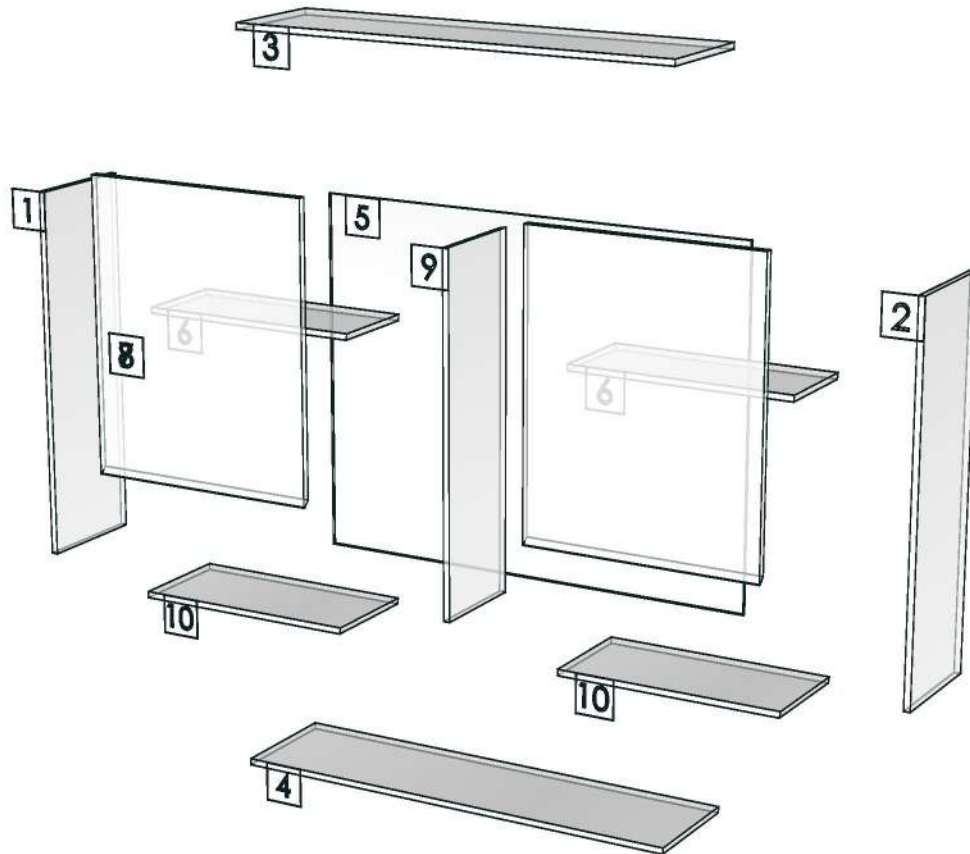
### **Edge**

01.319=1 MFI599 PEARL

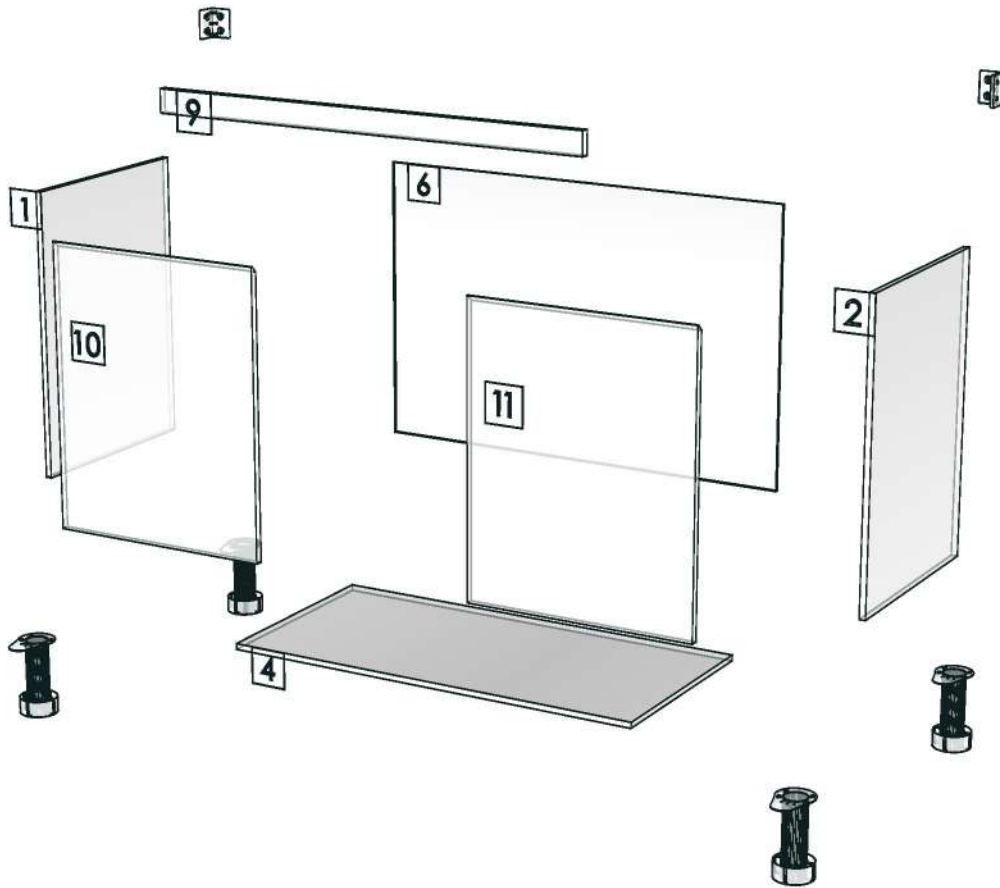
01.272=1 COTTAGE OAK AJ2 (A457TH00)



<b>Model</b>	-SENA_A_DL120		
<b>Creator</b>		<b>.BCP Name</b>	INDEX_C3D_KITCHEN2
<b>Reviewer</b>		<b>Order</b>	I001932
<b>Approves</b>		<b>Date</b>	



<b>Model</b>	-SENA_A_DBS120		
<b>Creator</b>		<b>.BCP Name</b>	INDEX_C3D_KITCHEN2
<b>Reviewer</b>		<b>Order</b>	I001934
<b>Approves</b>		<b>Date</b>	



<b>Model</b>	SENA_A_DL120		
<b>Creator</b>	PASATHORN	<b>.BCP Name</b>	INDEX_C3D_KITCHEN2
<b>Reviewer</b>		<b>Order</b>	I001932
<b>Approves</b>		<b>Date</b>	10/12/2022

## **SENA\_A\_DL120-1200X300X950**

**Colour**

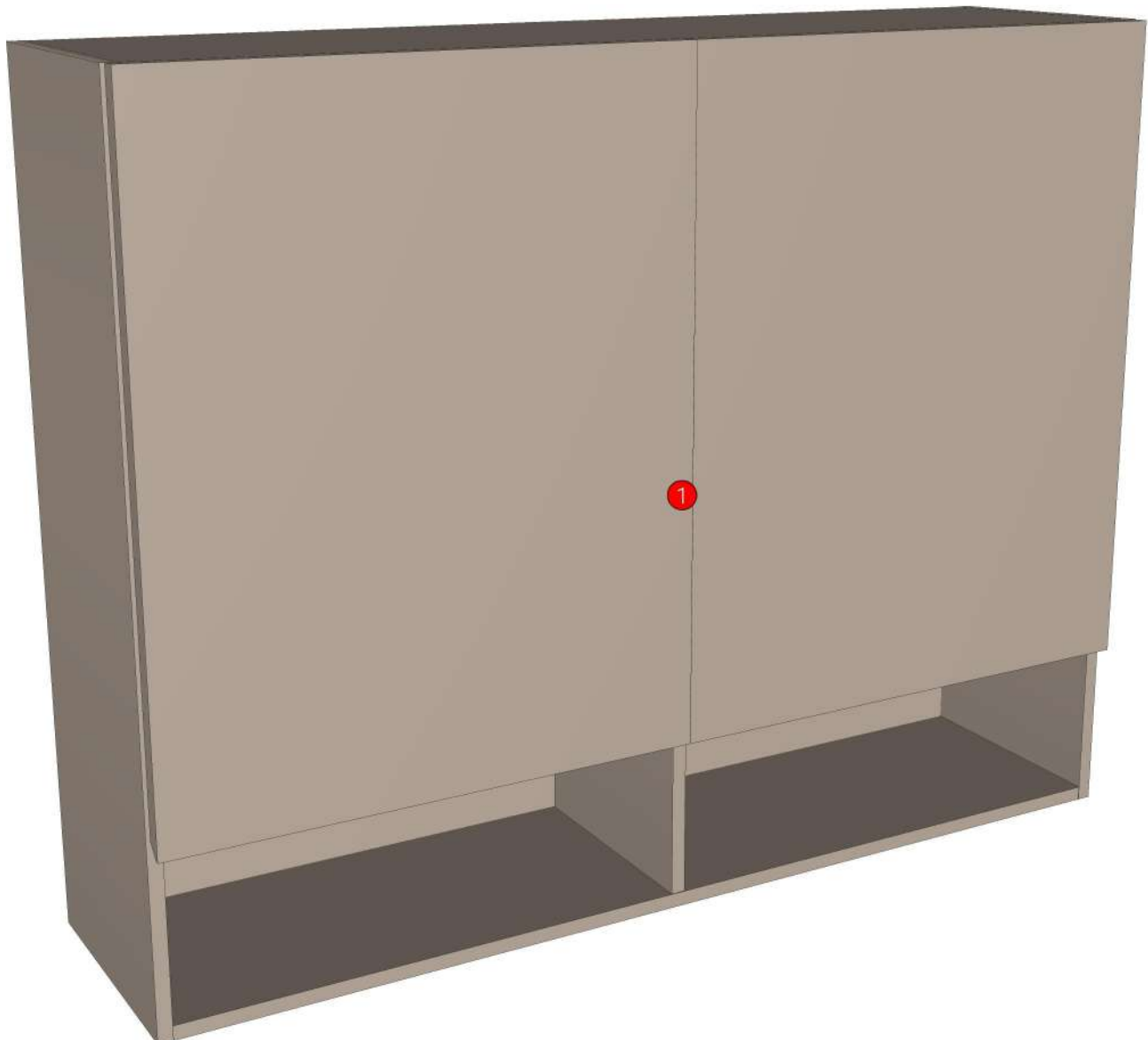
20.01=ML.MFI599\_PEARL

**Edge**

01.319=1 MFI599 PEARL

K200L-160126841

K200R-160115755



<b>Model</b>	SENA_A_DFB		
<b>Creator</b>	PASATHORN	<b>.BCP Name</b>	INDEX_C3D_KITCHEN2
<b>Reviewer</b>		<b>Order</b>	I001930
<b>Approves</b>		<b>Date</b>	10/12/2022

## **SENA\_A\_DFB-150X19X782**

### **Colour**

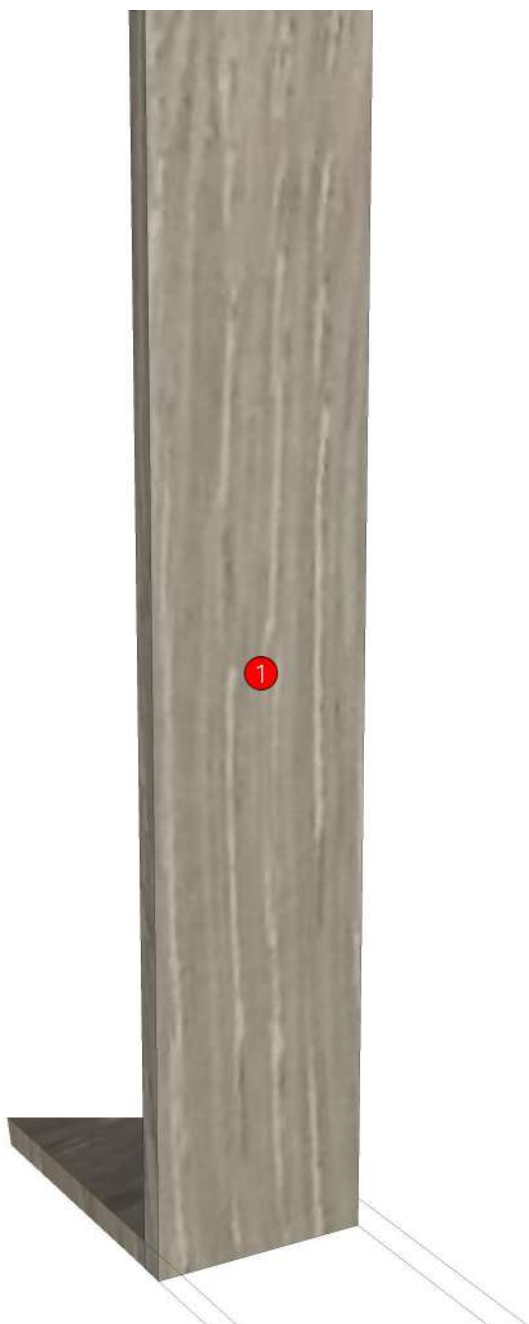
05.31=ML.COTTAGE OAK AJ2 (WOODGRAIN)

### **Edge**

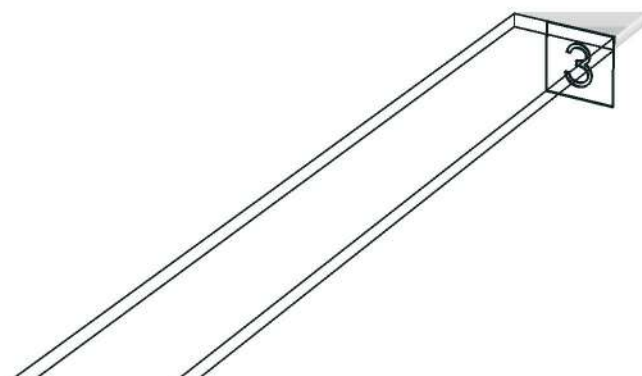
01.272=1 COTTAGE OAK AJ2 (A457TH00)

K200L-160126841

K200R-160115755



<b>Model</b>	-SENA_A_DFB		
<b>Creator</b>		<b>.BCP Name</b>	INDEX_C3D_KITCHEN2
<b>Reviewer</b>		<b>Order</b>	I001930
<b>Approves</b>		<b>Date</b>	



<b>Model</b>	SENA_A_DFL		
<b>Creator</b>	PASATHORN	<b>.BCP Name</b>	INDEX_C3D_KITCHEN2
<b>Reviewer</b>		<b>Order</b>	I001931
<b>Approves</b>	P.SAWAI	<b>Date</b>	10/12/2022

## **SENA\_A\_DFL-150X16X950**

**Colour**

20.01=ML.MFI599\_PEARL

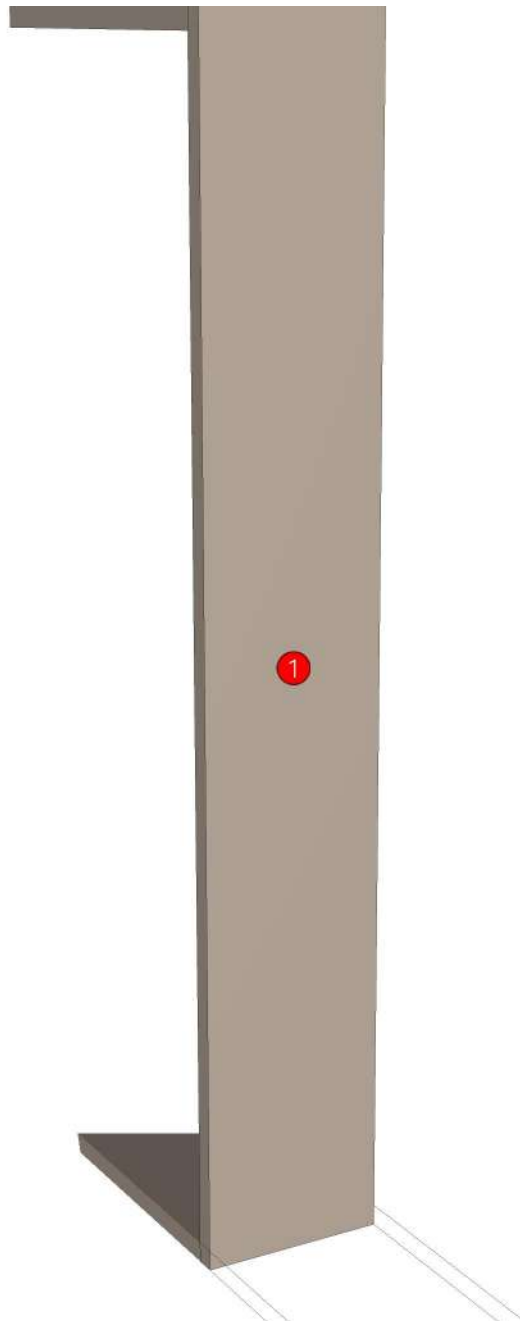
K200L-160126841

K200R-160115755

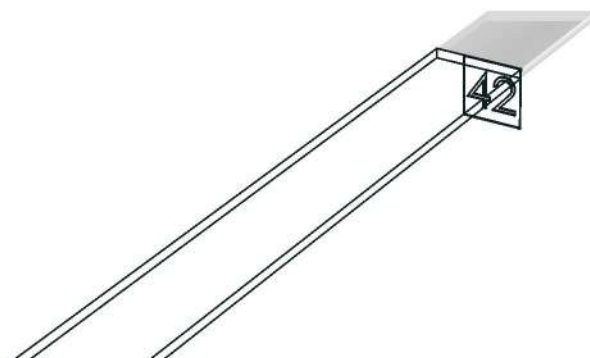
**Edge**

01.319=1 MFI599 PEARL

<b>R&amp;D REVIEW</b>	
<input checked="" type="checkbox"/>	DWG.Customer
<input checked="" type="checkbox"/>	Work Report
<input type="checkbox"/>	Function
<input type="checkbox"/>	สินค้าตรงตัวอย่าง
ผู้ทบทวน P.SAWAI	
10/12/2022	



<b>Model</b>	-SENA_A_DFL		
<b>Creator</b>		<b>.BCP Name</b>	INDEX_C3D_KITCHEN2
<b>Reviewer</b>		<b>Order</b>	I001931
<b>Approves</b>	P.SAWAI	<b>Date</b>	



<b>Model</b>	SENA_A_DF_CL1350		
<b>Creator</b>	PASATHORN	<b>.BCP Name</b>	INDEX_C3D_KITCHEN2
<b>Reviewer</b>		<b>Order</b>	I001929
<b>Approves</b>	P.SAWAI	<b>Date</b>	10/12/2022

## SENA\_A\_DF\_CL1350-1350X16X200

**Colour**

20.01=ML.MFI599\_PEARL

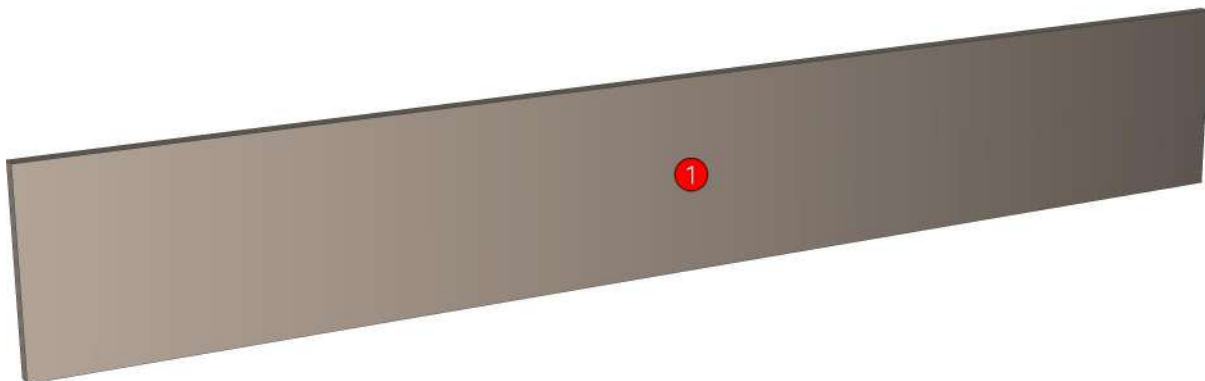
**Edge**

01.319=1 MFI599 PEARL

K200L-160126841

K200R-160115755

<b>R&amp;D REVIEW</b>	
<input checked="" type="checkbox"/>	DWG.Customer
<input checked="" type="checkbox"/>	Work Report
<input type="checkbox"/>	Function
<input type="checkbox"/>	สินค้าตรงตัวอย่าง
ผู้ทบทวน P.SAWAI	
10/12/2022	



<b>Model</b>	SANA_A_DF_CL300		
<b>Creator</b>	PASATHORN	<b>.BCP Name</b>	INDEX_C3D_KITCHEN2
<b>Reviewer</b>		<b>Order</b>	I001928
<b>Approves</b>	P.SAWAI	<b>Date</b>	10/12/2022

## SANA\_A\_DF\_CL300-300X16X200

**Colour**

20.01=ML.MFI599\_PEARL

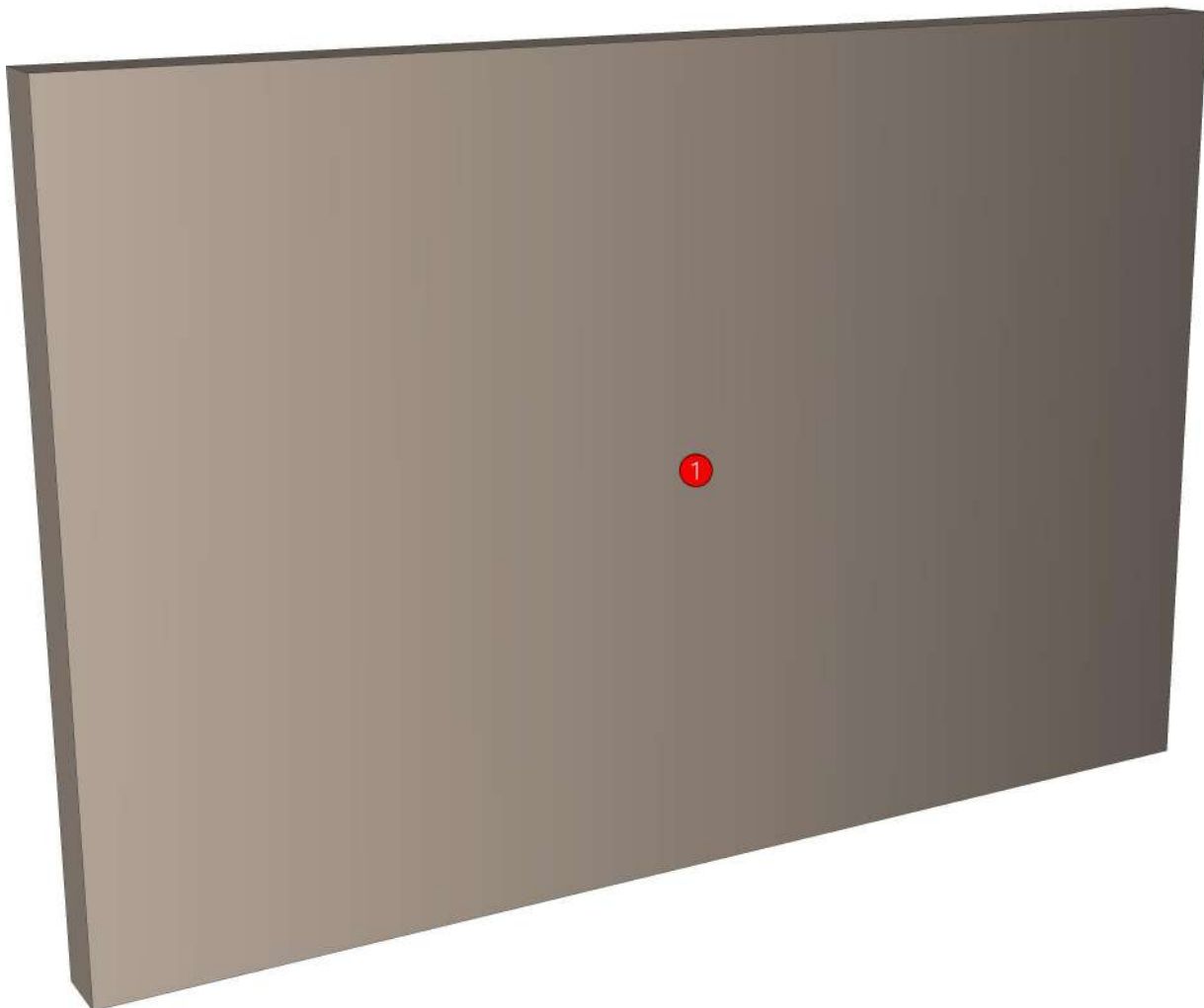
**Edge**

01.319=1 MFI599 PEARL

K200L-160126841

K200R-160115755

<b>R&amp;D REVIEW</b>	
<input checked="" type="checkbox"/>	DWG.Customer
<input checked="" type="checkbox"/>	Work Report
<input type="checkbox"/>	Function
<input type="checkbox"/>	สินค้าตรงตัวอย่าง
ผู้ทบทวน P.SAWAI	
10/12/2022	



<b>Model</b>	SENA_A_D_PLT2100		
<b>Creator</b>	PASATHORN	<b>.BCP Name</b>	INDEX_C3D_KITCHEN2
<b>Reviewer</b>		<b>Order</b>	I001927
<b>Approves</b>	P.SAWAI	<b>Date</b>	10/12/2022

## SENA\_A\_D\_PLT2100-2100X12X100

Colour

=

K200L-160126841

K200R-160115755

Edge

=

<b>R&amp;D REVIEW</b>	
<input checked="" type="checkbox"/>	DWG.Customer
<input checked="" type="checkbox"/>	Work Report
<input type="checkbox"/>	Function
<input type="checkbox"/>	สินค้าตรงตัวอย่าง
ผู้ทบทวน P.SAWAI	
10/12/2022	

