

<b>Model</b>	FLEXI_RC_DBH602GR		
<b>Creator</b>	PASATHORN	<b>.BCP Name</b>	INDEX_C3D_KITCHEN2
<b>Reviewer</b>		<b>Order</b>	I004691
<b>Approves</b>		<b>Date</b>	08/01/2026

## **FLEXI\_RC\_DBH602GR-600X570X838**

### **Colour**

02.78 FOIL 45GMS.MD627(VALENTINO)AQ-346-15KBWG(AQ PAPER)\_

02.62 FOIL 75GMS.MD216(SANSTONE)AQ-264KB(AQ PAPER)\_

-

-

K100L-160124666

K101L-160174777

### **Edge**

01.261 1 MD627 \_

01.155 1 SANDSTONE (P7-500M1) \_

-

-

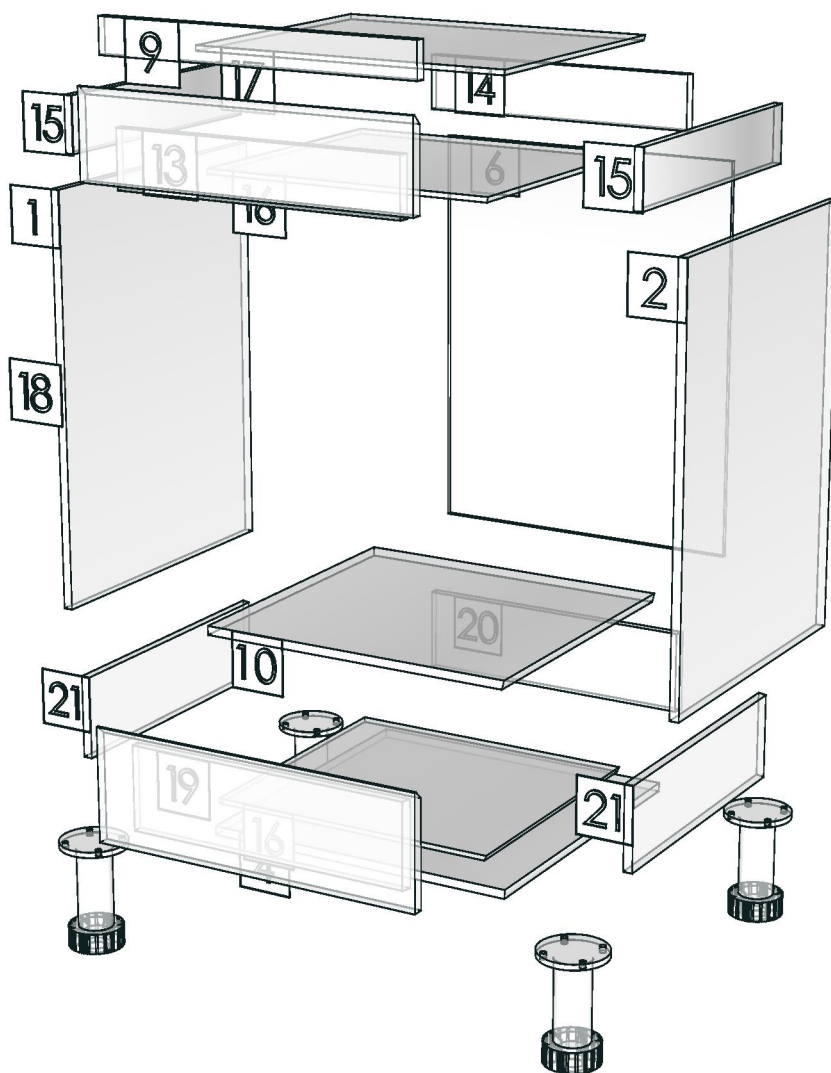
-

<b>R&amp;D REVIEW</b>	
<input checked="" type="checkbox"/>	DWG.Customer
<input checked="" type="checkbox"/>	Work Report
<input type="checkbox"/>	Function
<input type="checkbox"/>	สินค้าตรงตัวอย่าง
ผู้ทบทวน _____	
_____	



<b>Model</b>	-FLEXI_RC_DBH602GR		
<b>Creator</b>		<b>.BCP Name</b>	INDEX_C3D_KITCHEN2
<b>Reviewer</b>		<b>Order</b>	I004691
<b>Approves</b>		<b>Date</b>	

12



<b>Model</b>	FLEXI_RC_DBS60L		
<b>Creator</b>	PASATHORN	<b>.BCP Name</b>	INDEX_C3D_KITCHEN2
<b>Reviewer</b>		<b>Order</b>	I004687
<b>Approves</b>		<b>Date</b>	08/01/2026

## **FLEXI\_RC\_DBS60L-600X570X838**

**Colour**

02.78 FOIL 45GMS.MD627(VALENTINO)AQ-346-15KBWG(AQ PAPER)\_

-

-

-

K100L-160124666

**Edge**

01.261 1 MD627 \_

-

-

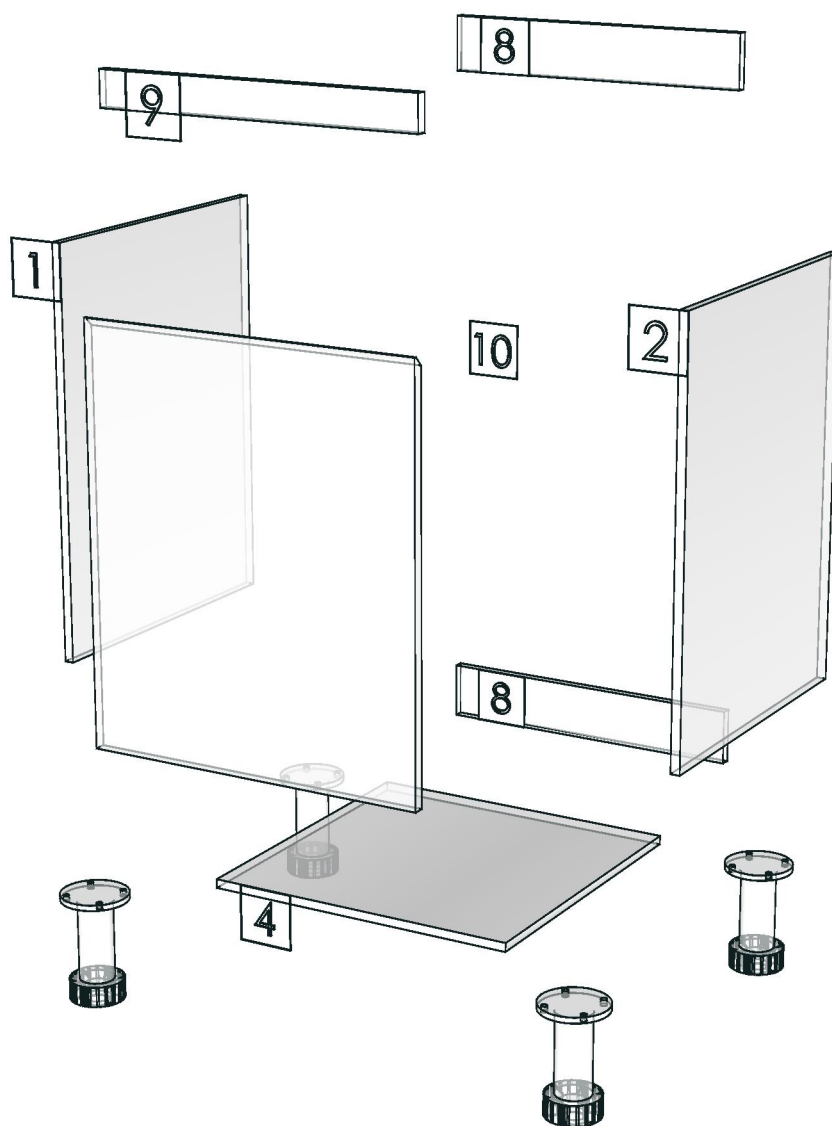
-

-

<b>R&amp;D REVIEW</b>	
<input checked="" type="checkbox"/>	DWG.Customer
<input checked="" type="checkbox"/>	Work Report
<input type="checkbox"/>	Function
<input type="checkbox"/>	สินค้าตรงตัวอย่าง
ผู้ทบทวน _____	
_____	



<b>Model</b>	-FLEXI_RC_DBS60L		
<b>Creator</b>		<b>.BCP Name</b>	INDEX_C3D_KITCHEN2
<b>Reviewer</b>		<b>Order</b>	I004687
<b>Approves</b>		<b>Date</b>	



<b>Model</b>	FLEXI_RC_DDM600		
<b>Creator</b>	PASATHORN	<b>.BCP Name</b>	INDEX_C3D_KITCHEN2
<b>Reviewer</b>		<b>Order</b>	I004661
<b>Approves</b>	P.SAWAI	<b>Date</b>	16/12/2025

## **FLEXI\_RC\_DDM600-600X16X100**

**Colour**

02.62 FOIL 75GMS.MD216(SANSTONE)AQ-264KB(AQ PAPER)\_

-

-

-

K100L-160124666

K100R-160174489

K102L-160174496

K102R-160124673

**Edge**

01.155 1 SANDSTONE (P7-500M1) \_

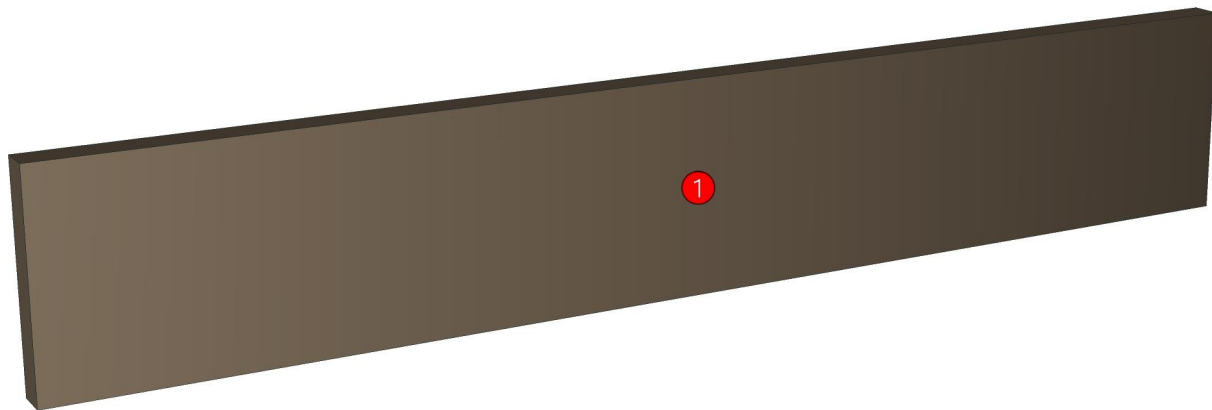
-

-

-

-

<b>R&amp;D REVIEW</b>	
<input checked="" type="checkbox"/>	DWG.Customer
<input checked="" type="checkbox"/>	Work Report
<input type="checkbox"/>	Function
<input type="checkbox"/>	สินค้าตรงตัวอย่าง
ผู้ทบทวน <u>P.SAWAI</u>	
<u>16/12/2025</u>	



<b>Model</b>	FLEXI_RC_DDM600		
<b>Creator</b>	PASATHORN	<b>.BCP Name</b>	INDEX_C3D_KITCHEN2
<b>Reviewer</b>		<b>Order</b>	I004661
<b>Approves</b>	P. SAWAI	<b>Date</b>	16/12/2025

No.	Article No.	Description	Mat	Dimension	Cutting Size	Typepology	Skin
0	FLEXI_RC_DDM600 FLEXI_RC_DDM600-01	FLEXI_RC_DDM600 DDM-SP	PB-SP	600x100x16 16x100x600	16X98X598;L2:W2	183000_STR=02.62_EDG=SANDSTONE073-1	2

<b>Model</b>	FLEXI_RC_DF_CL1200G		
<b>Creator</b>	PASATHORN	<b>.BCP Name</b>	INDEX_C3D_KITCHEN2
<b>Reviewer</b>		<b>Order</b>	I004677
<b>Approves</b>		<b>Date</b>	08/01/2026

## **FLEXI\_RC\_DF\_CL1200G-1200X16X150**

**Colour**

02.62 FOIL 75GMS.MD216(SANSTONE)AQ-264KB(AQ PAPER)\_

-

-

-

K100L-160124666

K100R-160174489

**Edge**

01.155 1 SANDSTONE (P7-500M1) \_

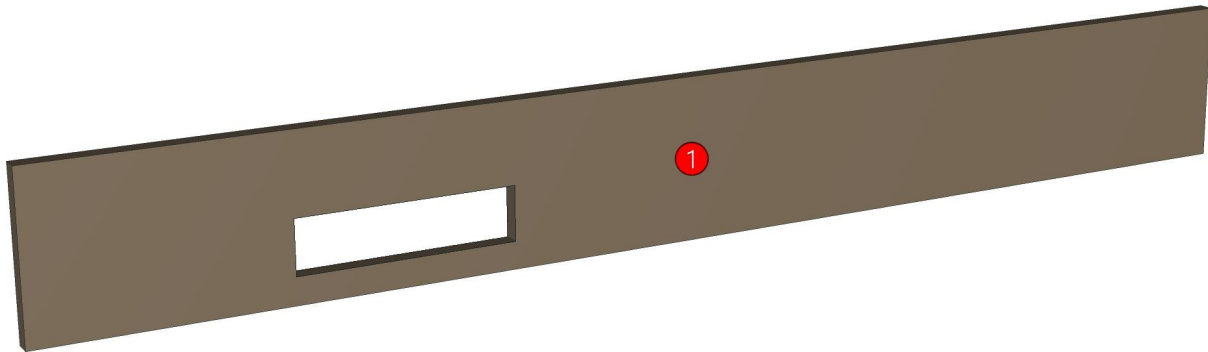
-

-

-

-

<b>R&amp;D REVIEW</b>	
<input checked="" type="checkbox"/>	DWG.Customer
<input checked="" type="checkbox"/>	Work Report
<input type="checkbox"/>	Function
<input type="checkbox"/>	สินค้าตรงตัวอย่าง
ผู้ทบทวน _____	
_____	



<b>Model</b>	FLEXI_RC_DF_CL1200G		
<b>Creator</b>	PASATHORN	<b>.BCP Name</b>	INDEX_C3D_KITCHEN2
<b>Reviewer</b>		<b>Order</b>	I004677
<b>Approves</b>		<b>Date</b>	08/01/2026

No.	Article No.	Description	Mat	Dimension	Cutting Size	Typepology	Skin
0	FLEXI_RC_DF_CL1200G	FLEXI_RC_DF_CL1200G		1200x150x16			
	FLEXI_RC_DF_CL1200G-01	DFCL-SP	PB-SP	16x150x1200	16X149X1198;L1:W2	183000_STR=02.62_EDG=SANDSTONE073-1	2

<b>Model</b>	FLEXI_RC_DF_CL300		
<b>Creator</b>	PASATHORN	<b>.BCP Name</b>	INDEX_C3D_KITCHEN2
<b>Reviewer</b>		<b>Order</b>	I004679
<b>Approves</b>		<b>Date</b>	08/01/2026

## **FLEXI\_RC\_DF\_CL300-300X16X150**

**Colour**

02.62 FOIL 75GMS.MD216(SANSTONE)AQ-264KB(AQ PAPER)\_

-

-

-

K100L-160124666

K100R-160174489

K101L-160174777

K101R-160174785

**Edge**

01.155 1 SANDSTONE (P7-500M1) \_

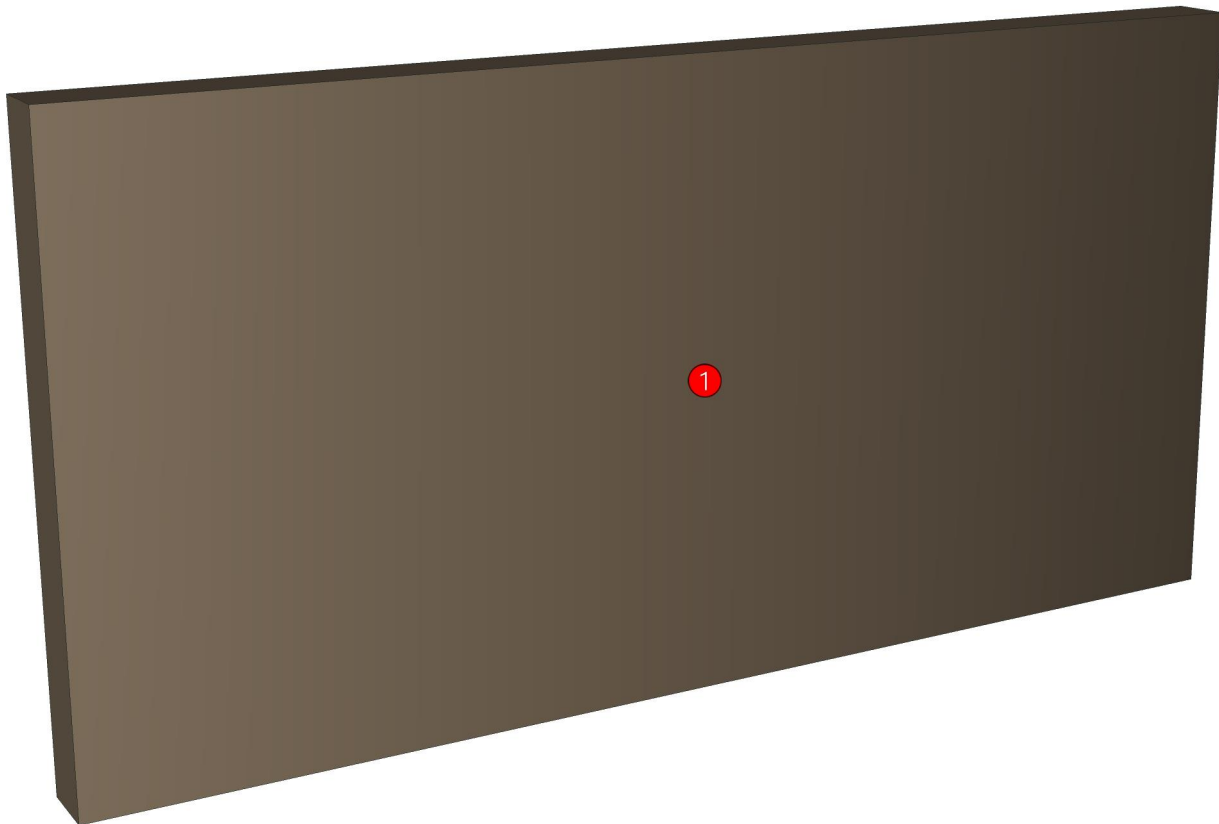
-

-

-

-

<b>R&amp;D REVIEW</b>	
<input checked="" type="checkbox"/>	DWG.Customer
<input checked="" type="checkbox"/>	Work Report
<input type="checkbox"/>	Function
<input type="checkbox"/>	สินค้าตรงตัวอย่าง
ผู้ทบทวน _____	



<b>Model</b>	FLEXI_RC_DF_CL300		
<b>Creator</b>	PASATHORN	<b>.BCP Name</b>	INDEX_C3D_KITCHEN2
<b>Reviewer</b>		<b>Order</b>	I004679
<b>Approves</b>		<b>Date</b>	08/01/2026

No.	Article No.	Description	Mat	Dimension	Cutting Size	Typepology	Skin
0	FLEXI_RC_DF_CL300	FLEXI_RC_DF_CL300		300x150x16			
	FLEXI_RC_DF_CL300-01	DFCL-SP	PB-SP	16x150x300	16X149X299;L1:W1	183000_STR=02.62_EDG=SANDSTONE073-1	2

<b>Model</b>	FLEXI_RC_DL60HR		
<b>Creator</b>	PASATHORN	<b>.BCP Name</b>	INDEX_C3D_KITCHEN2
<b>Reviewer</b>		<b>Order</b>	I004684
<b>Approves</b>		<b>Date</b>	08/01/2026

## **FLEXI\_RC\_DL60HR-600X300X760**

**Colour**

02.62 FOIL 75GMS.MD216(SANSTONE)AQ-264KB(AQ PAPER)\_

-

-

-

K100L-160124666

K101L-160174777

K102L-160174496

K103L-160174504

**Edge**

01.155 1 SANDSTONE (P7-500M1) \_

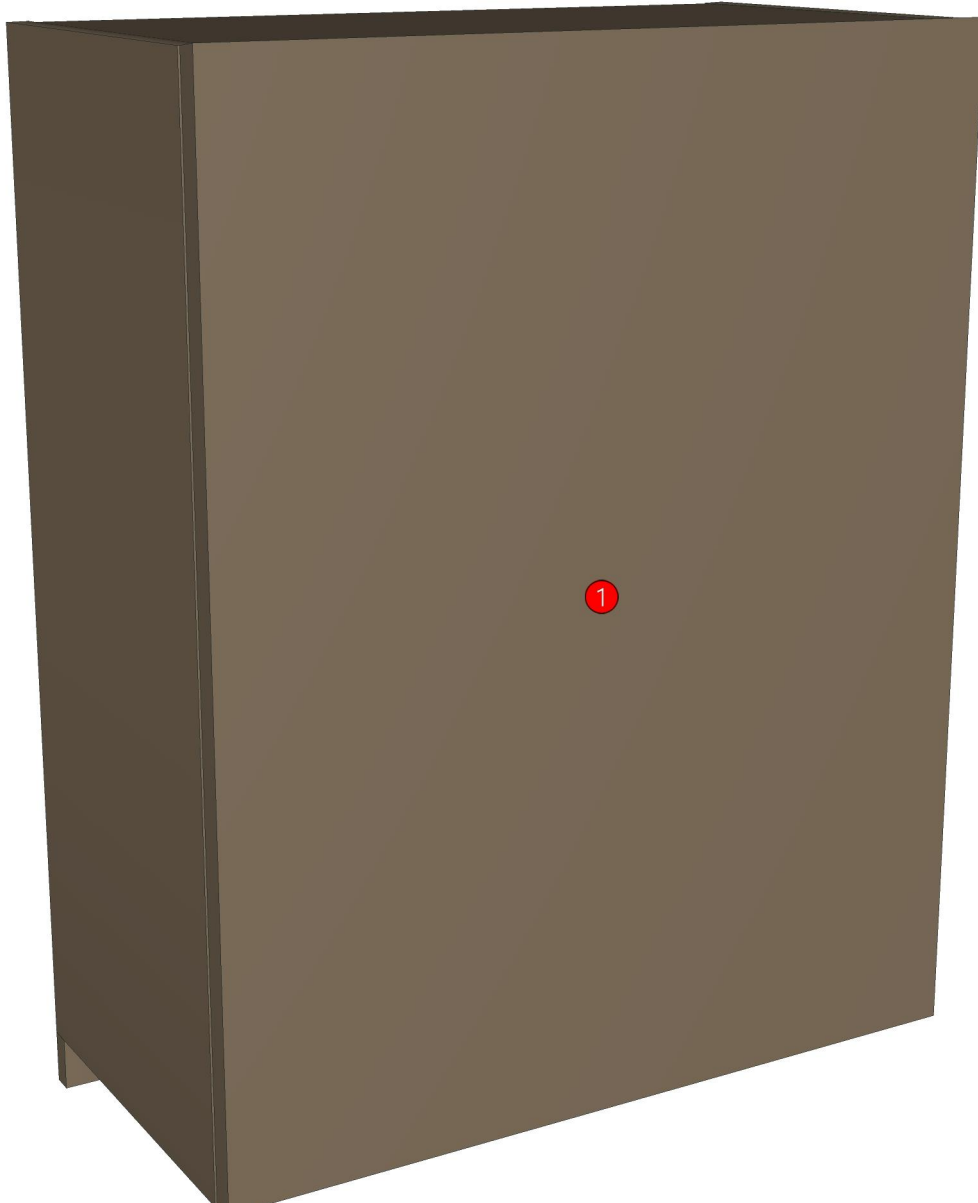
-

-

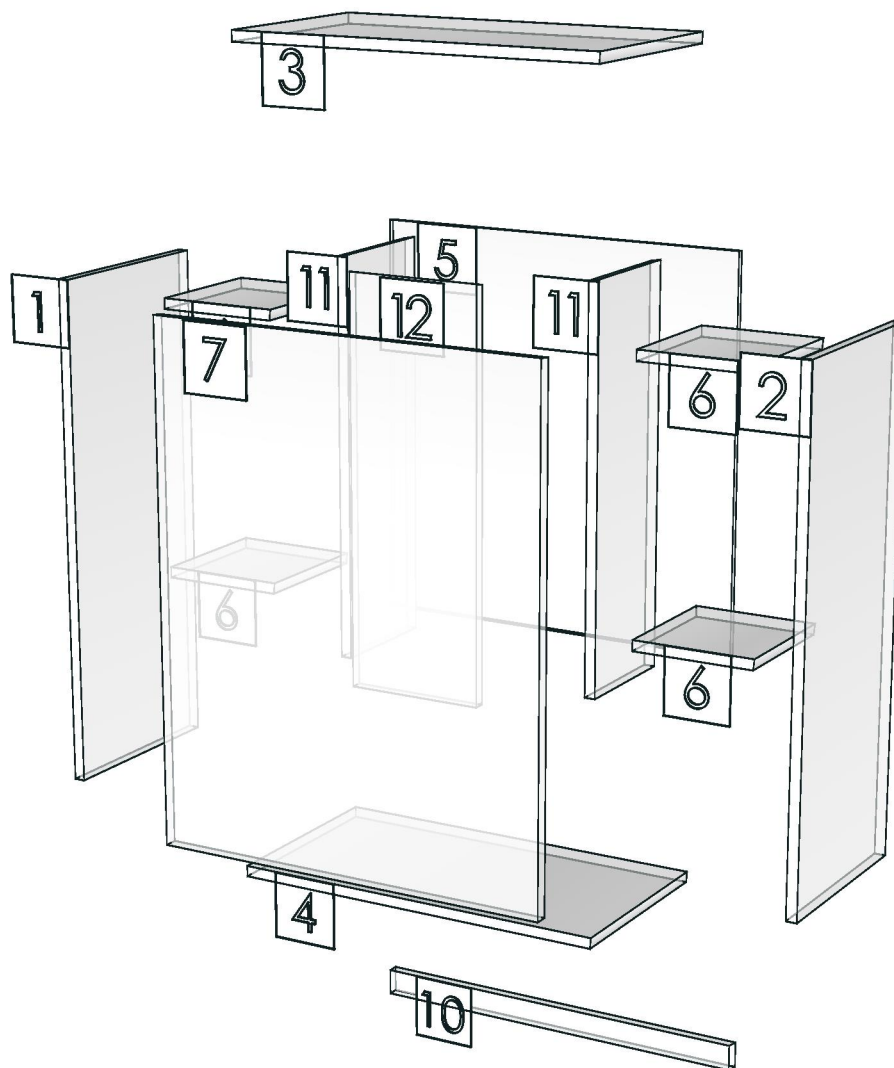
-

-

<b>R&amp;D REVIEW</b>	
<input checked="" type="checkbox"/>	DWG.Customer
<input checked="" type="checkbox"/>	Work Report
<input type="checkbox"/>	Function
<input type="checkbox"/>	สินค้าตรงตัวอย่าง
ผู้ทบทวน _____	



<b>Model</b>	-FLEXI_RC_DL60HR		
<b>Creator</b>		<b>.BCP Name</b>	INDEX_C3D_KITCHEN2
<b>Reviewer</b>		<b>Order</b>	I004684
<b>Approves</b>		<b>Date</b>	



<b>Model</b>	FLEXI_RC_DLO60		
<b>Creator</b>	PASATHORN	<b>.BCP Name</b>	INDEX_C3D_KITCHEN2
<b>Reviewer</b>		<b>Order</b>	I004682
<b>Approves</b>		<b>Date</b>	08/01/2026

## **FLEXI\_RC\_DLO60-600X300X700**

**Colour**

02.62 FOIL 75GMS.MD216(SANSTONE)AQ-264KB(AQ PAPER)\_

-

-

-

K100L-160124666

K100R-160174489

**Edge**

01.155 1 SANDSTONE (P7-500M1) \_

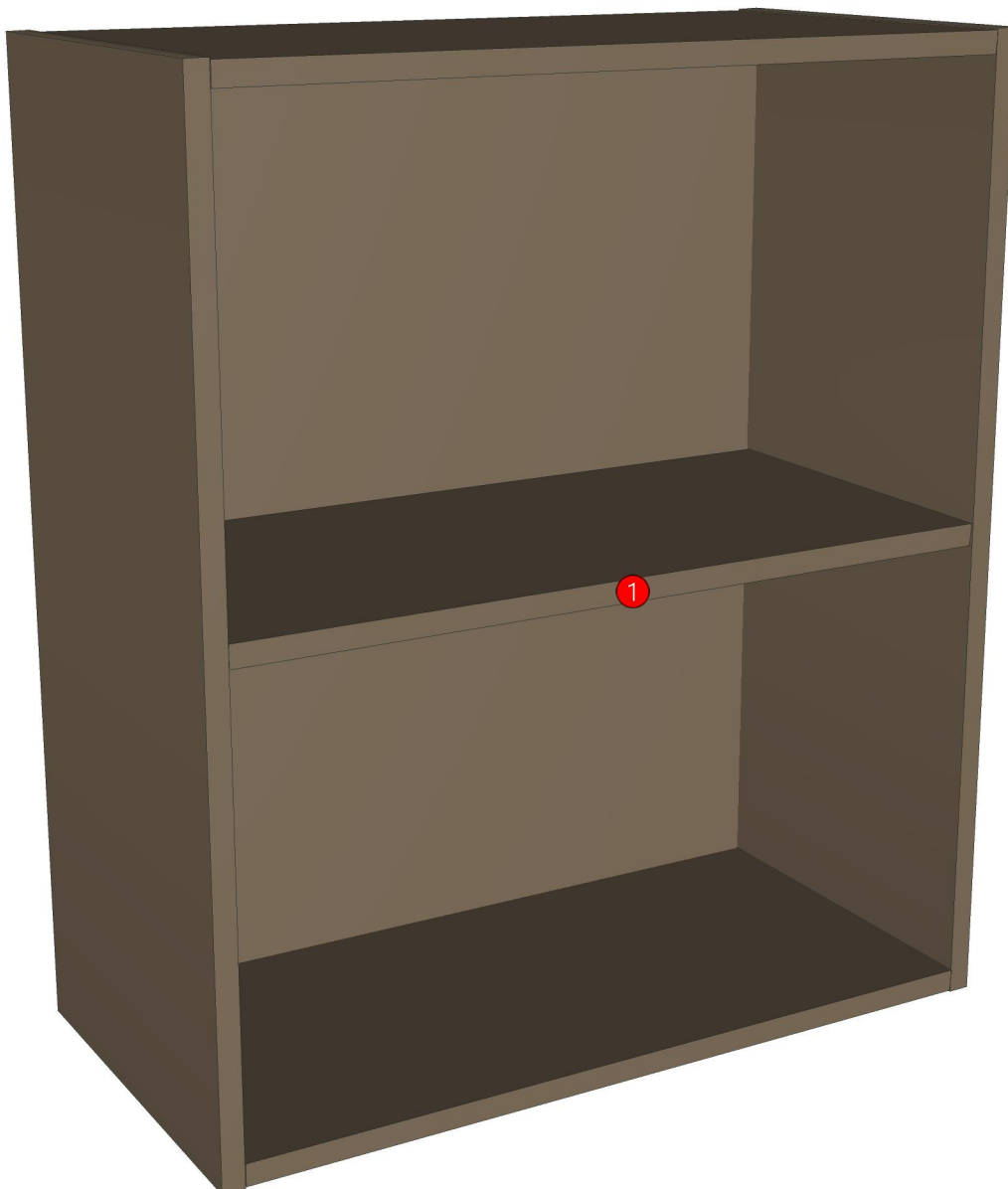
-

-

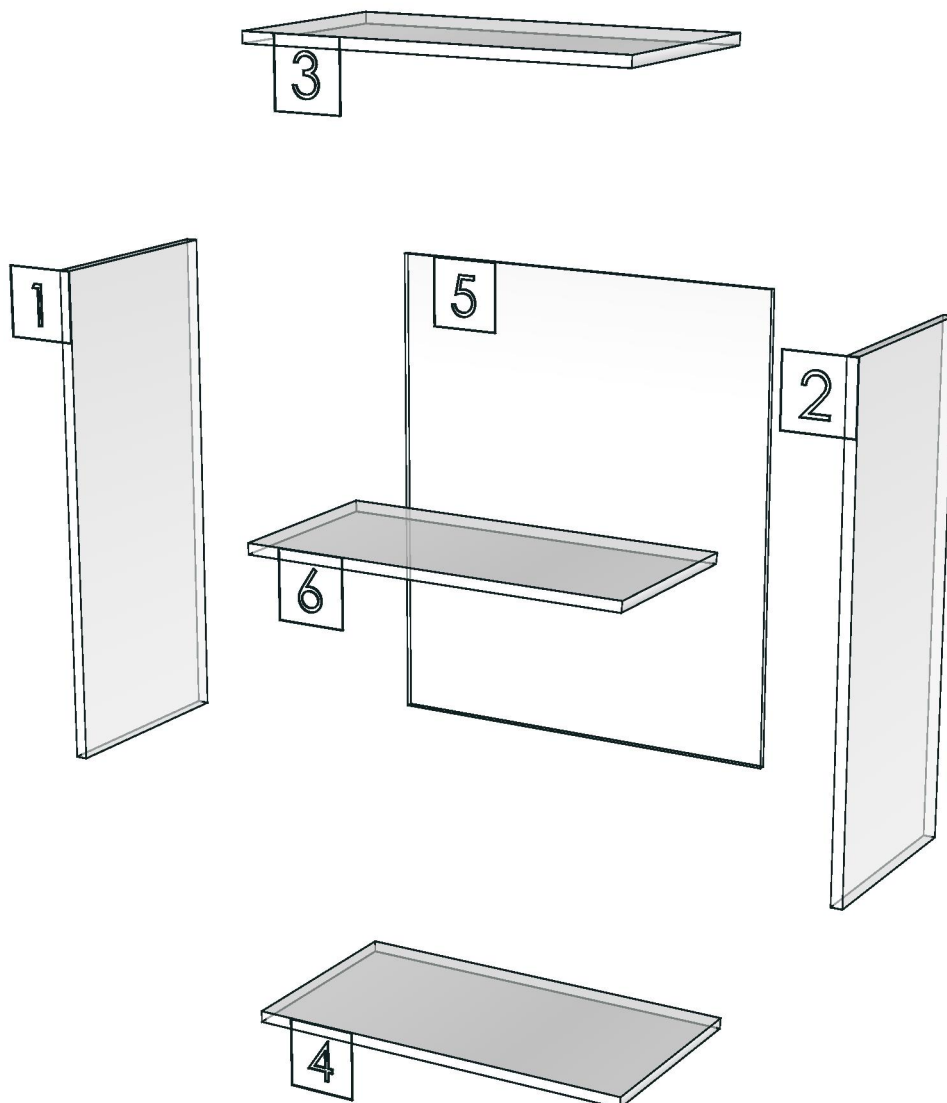
-

-

<b>R&amp;D REVIEW</b>	
<input checked="" type="checkbox"/>	DWG.Customer
<input checked="" type="checkbox"/>	Work Report
<input type="checkbox"/>	Function
<input type="checkbox"/>	สินค้าตรงตัวอย่าง
ผู้ทบทวน _____	
_____	



<b>Model</b>	-FLEXI_RC_DLO60		
<b>Creator</b>		<b>.BCP Name</b>	INDEX_C3D_KITCHEN2
<b>Reviewer</b>		<b>Order</b>	I004682
<b>Approves</b>		<b>Date</b>	



<b>Model</b>	FLEXI_RC_D_PLT1200		
<b>Creator</b>	PASATHORN	<b>.BCP Name</b>	INDEX_C3D_KITCHEN2
<b>Reviewer</b>		<b>Order</b>	I004675
<b>Approves</b>		<b>Date</b>	08/01/2026

## **FLEXI\_RC\_D\_PLT1200-1200X9X100**

**Colour**

02.78 FOIL 45GMS.MD627(VALENTINO)AQ-346-15KBWG(AQ PAPER)\_

-

-

-

K100L-160124666

K100R-160174489

**Edge**

01.261 1 MD627 \_

-

-

-

-

<b>R&amp;D REVIEW</b>	
<input checked="" type="checkbox"/>	DWG.Customer
<input checked="" type="checkbox"/>	Work Report
<input type="checkbox"/>	Function
<input type="checkbox"/>	สินค้าตรงตัวอย่าง
ผู้ทบทวน _____	
_____	



<b>Model</b>	FLEXI_RC_D_PLT1200		
<b>Creator</b>	PASATHORN	<b>.BCP Name</b>	INDEX_C3D_KITCHEN2
<b>Reviewer</b>		<b>Order</b>	I004675
<b>Approves</b>		<b>Date</b>	08/01/2026

No.	Article No.	Description	Mat	Dimension	Cutting Size	Typepology	Skin
0	FLEXI_RC_D_PLT1200	FLEXI_RC_D_PLT1200		1200x100x9			
	FLEXI_RC_D_PLT1200-01	DPLINT	PB-SP	9x100x1200	9X98X1198;L2:W2	183000 _STR=02.78 _EDG=MD627-1	2

<b>Model</b>	FLEXI_RC_D_PLT600		
<b>Creator</b>	PASATHORN	<b>.BCP Name</b>	INDEX_C3D_KITCHEN2
<b>Reviewer</b>		<b>Order</b>	I004674
<b>Approves</b>		<b>Date</b>	08/01/2026

## **FLEXI\_RC\_D\_PLT600-600X9X100**

**Colour**

02.78 FOIL 45GMS.MD627(VALENTINO)AQ-346-15KBWG(AQ PAPER)\_

-

-

-

K100L-160124666

K100R-160174489

K101L-160174777

K101R-160174785

**Edge**

01.261 1 MD627 \_

-

-

-

-

<b>R&amp;D REVIEW</b>	
<input checked="" type="checkbox"/>	DWG.Customer
<input checked="" type="checkbox"/>	Work Report
<input type="checkbox"/>	Function
<input type="checkbox"/>	สินค้าตรงตัวอย่าง
ผู้ทบทวน _____	



<b>Model</b>	FLEXI_RC_D_PLT600		
<b>Creator</b>	PASATHORN	<b>.BCP Name</b>	INDEX_C3D_KITCHEN2
<b>Reviewer</b>		<b>Order</b>	I004674
<b>Approves</b>		<b>Date</b>	08/01/2026

No.	Article No.	Description	Mat	Dimension	Cutting Size	Typepology	Skin
0	FLEXI_RC_D_PLT600	FLEXI_RC_D_PLT600		600x100x9			
	FLEXI_RC_D_PLT600-01	DPLINT	PB-SP	9x100x600	9X98X599;L2:W1	183000 _STR=02.78 _EDG=MD627-1	2