

<b>Model</b>	ASPIRE_ON_DBS60R		
<b>Creator</b>	SUTTHI.P	<b>Name</b>	INDEX_C3D_KITCHENPAE
<b>Reviewer</b>		<b>Order</b>	O001197
<b>Approves</b>		<b>Date</b>	12/09/2023

## **ASPIRE\_ON\_DBS60R-600X570X813**

### **Colour**

20.81=ML.COLORADO MD642 (MATT)

20.80=ML.MD565 (GREY TOURMALINE) EVELYN

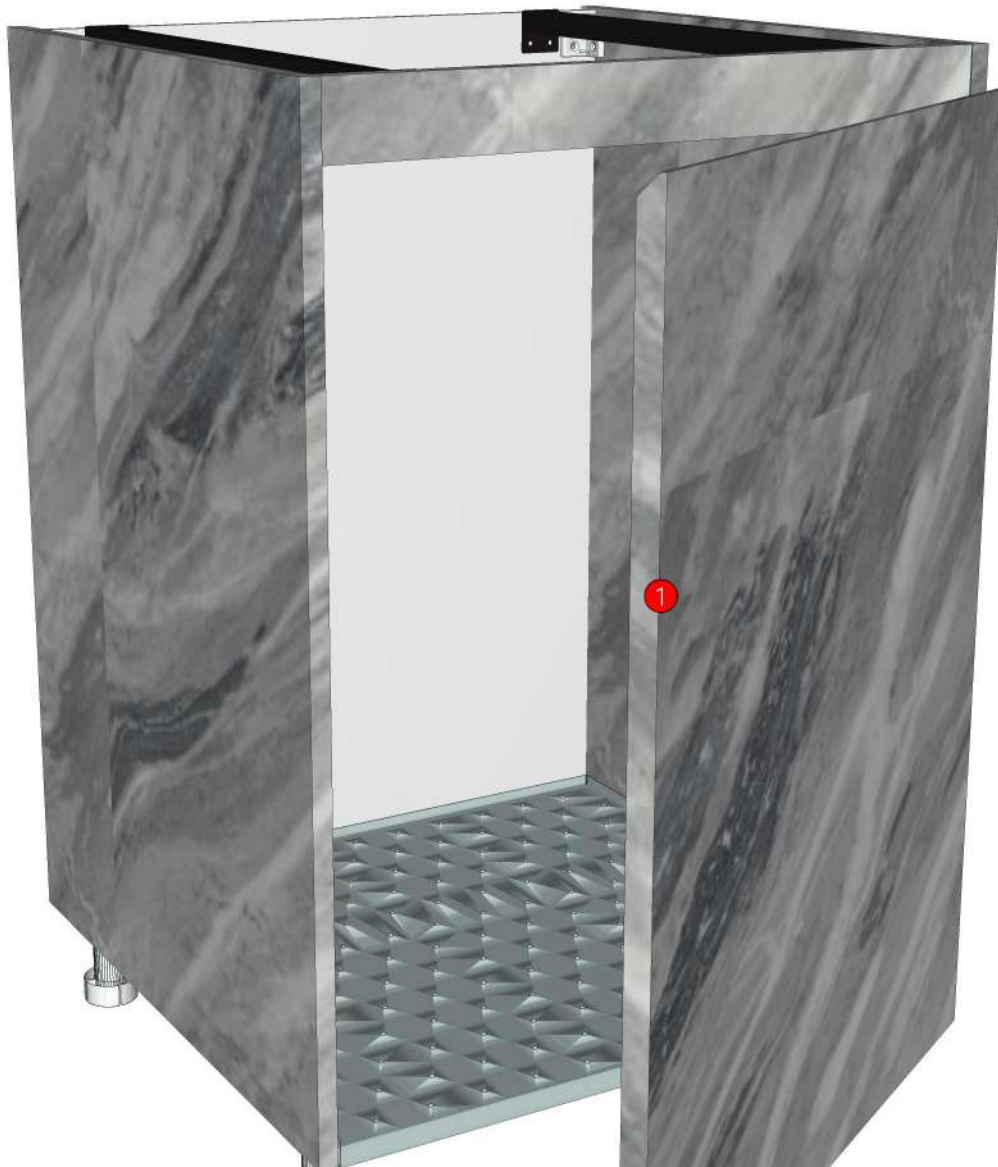
20.07=ML AE9V (MATT)

### **Edge**

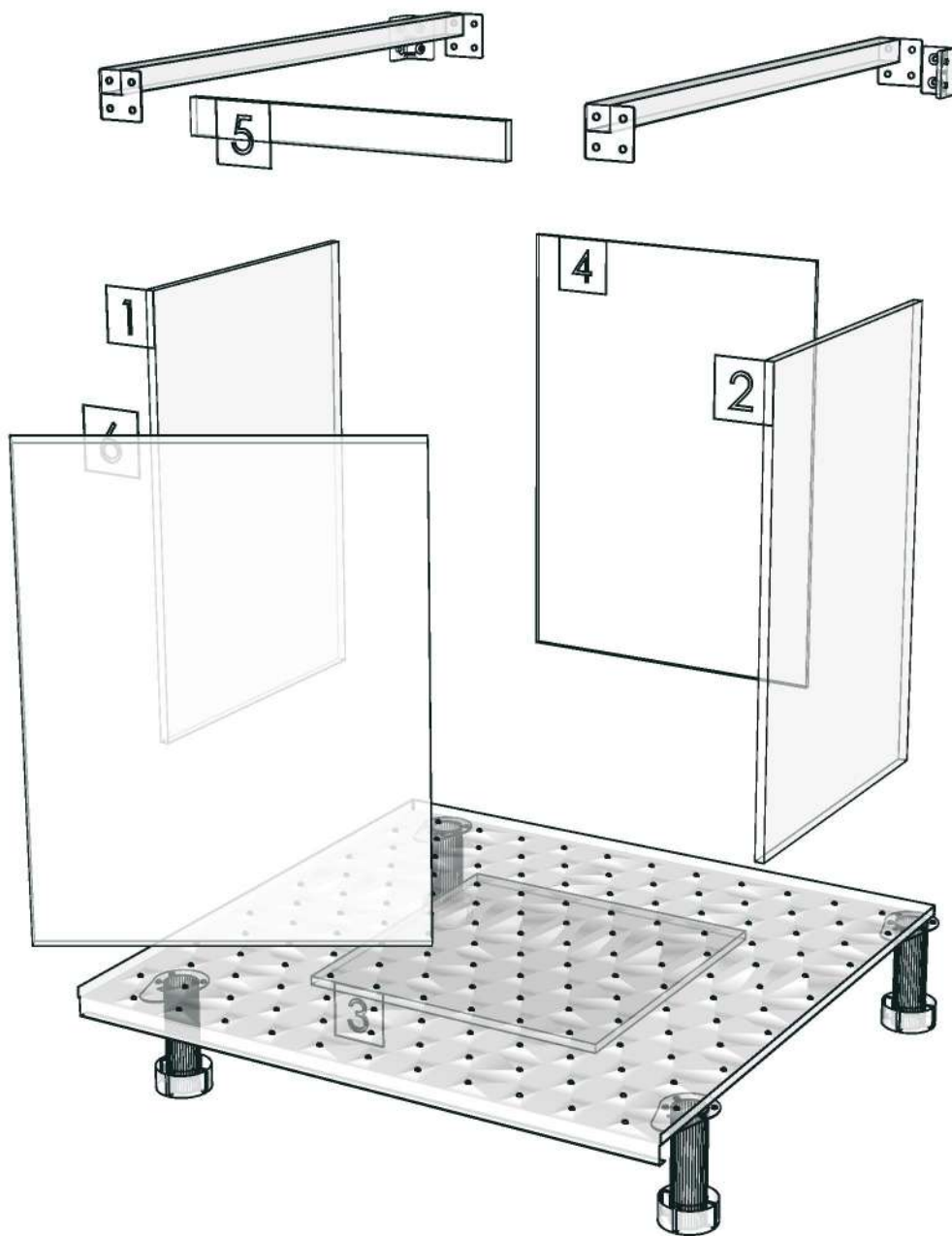
01.339=1 DX1557PG(EDL) C070TH00 MD642 MIRROR GLOSS

01.287=1 MD565(GREY TOURMALINE) (AA8)

01.47=1 WHITE



<b>Model</b>	-ASPIRE_ON_DBS60R	<b>Name</b>	INDEX_C3D_KITCHENPAE
<b>Creator</b>	SUTTHI.P	<b>Order</b>	O001197
<b>Reviewer</b>		<b>Date</b>	12/09/2023
<b>Approves</b>			



<b>Model</b>	ASPIRE_ON_DBH601L		
<b>Creator</b>	SUTTHI.P	<b>Name</b>	INDEX_C3D_KITCHENPAE
<b>Reviewer</b>		<b>Order</b>	O001193
<b>Approves</b>		<b>Date</b>	08/09/2023

## **ASPIRE\_ON\_DBH601L-600X570X813**

### **Colour**

20.81=ML.COLORADO MD642 (MATT)

20.80=ML.MD565 (GREY TOURMALINE) EVELYN

20.07=ML AE9V (MATT)

### **Edge**

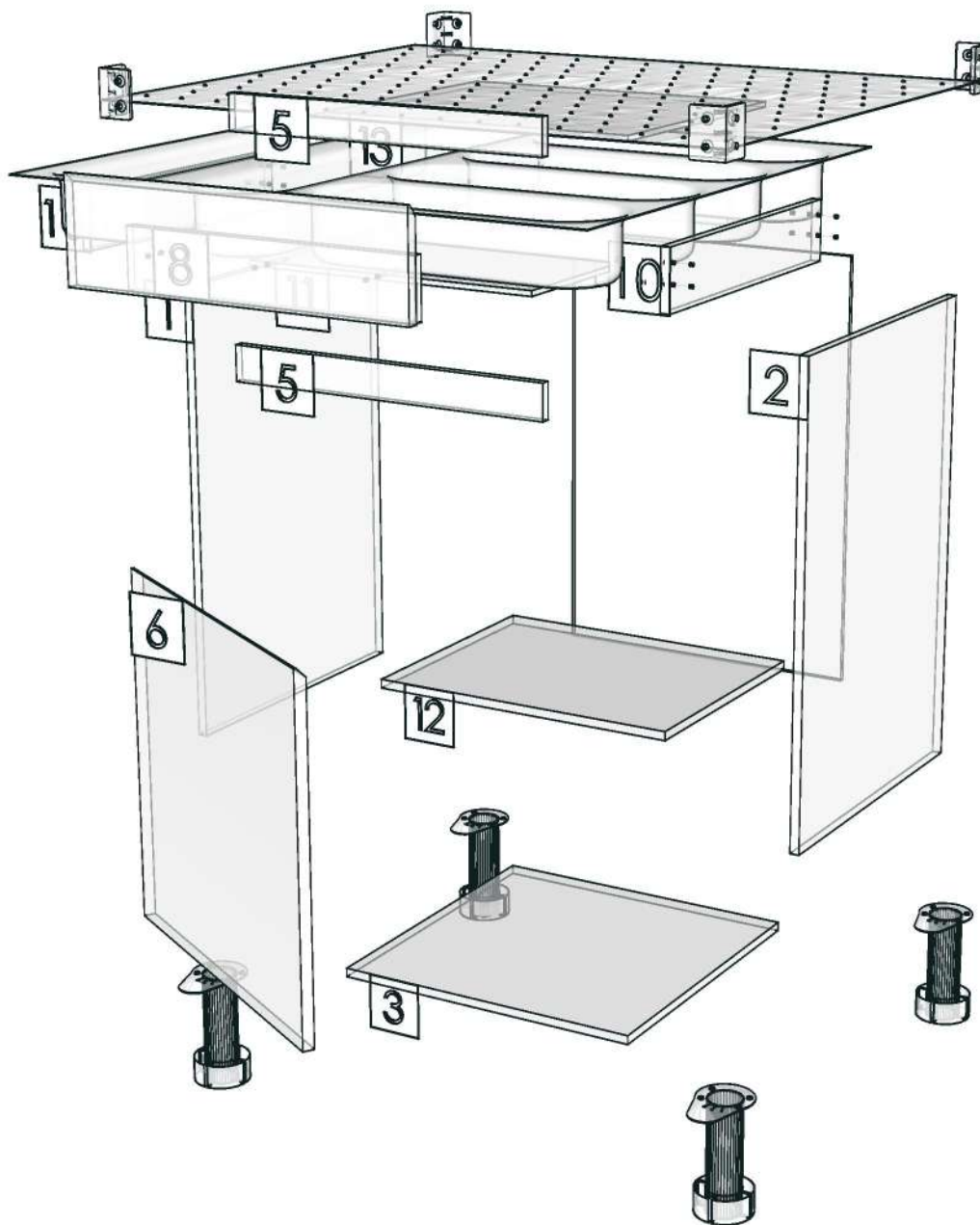
01.339=1 DX1557PG(EDL) C070TH00 MD642 MIRROR GLOSS

01.287=1 MD565(GREY TOURMALINE) (AA8)

01.47=1 WHITE



<b>Model</b>	-ASPIRE_ON_DBH601L	<b>Name</b>	INDEX_C3D_KITCHENPAE
<b>Creator</b>	SUTTHI.P	<b>Order</b>	O001193
<b>Reviewer</b>		<b>Date</b>	08/09/2023
<b>Approves</b>			



<b>Model</b>	ASPIRE_ON_DLOMV60		
<b>Creator</b>	SUTTHI.P	<b>Name</b>	INDEX_C3D_KITCHENPAE
<b>Reviewer</b>		<b>Order</b>	O001206
<b>Approves</b>		<b>Date</b>	13/09/2023

## **ASPIRE\_ON\_DLOMV60-600X400X750**

### **Colour**

20.81=ML.COLORADO MD642 (MATT)

20.80=ML.MD565 (GREY TOURMALINE) EVELYN

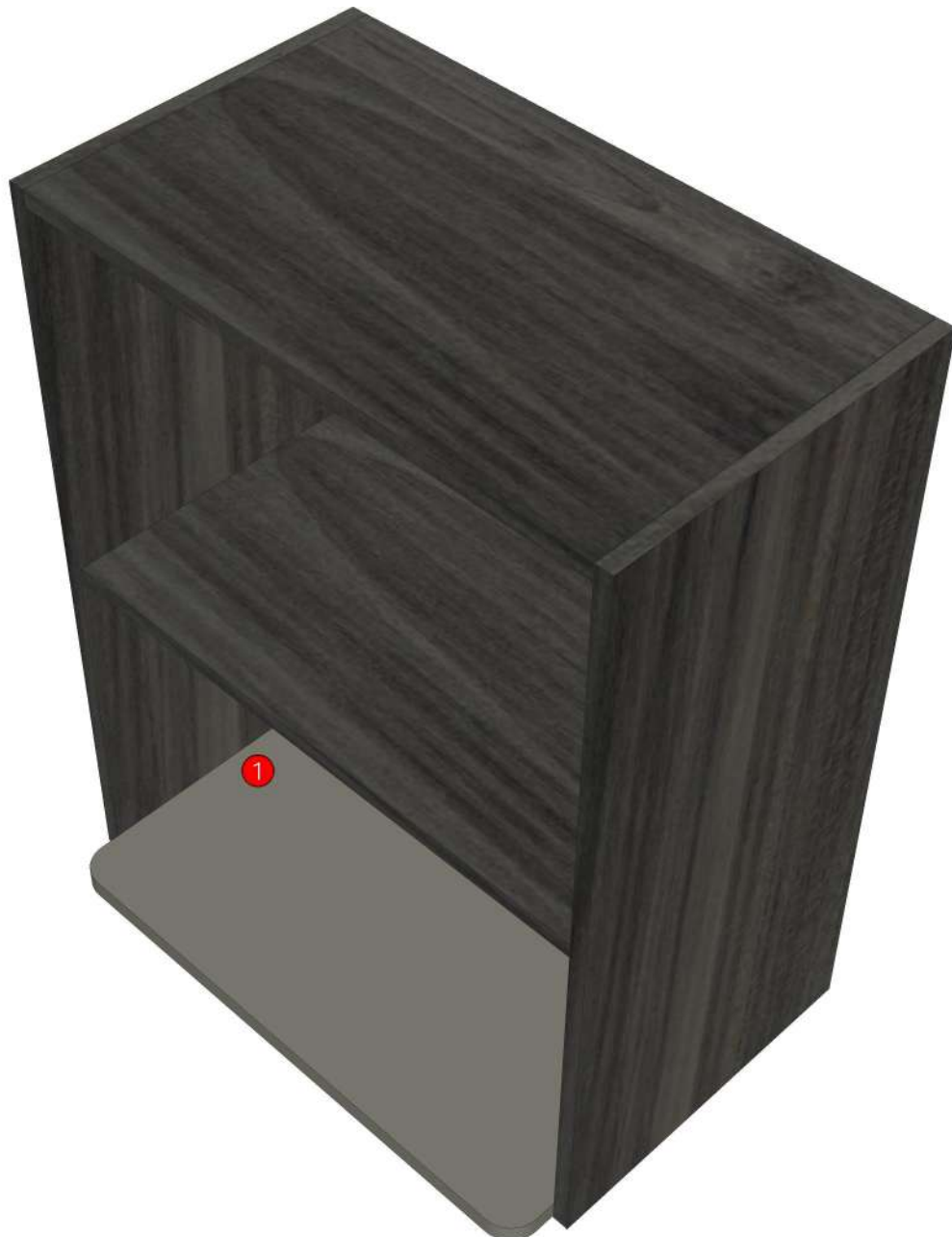
20.07=ML AE9V (MATT)

### **Edge**

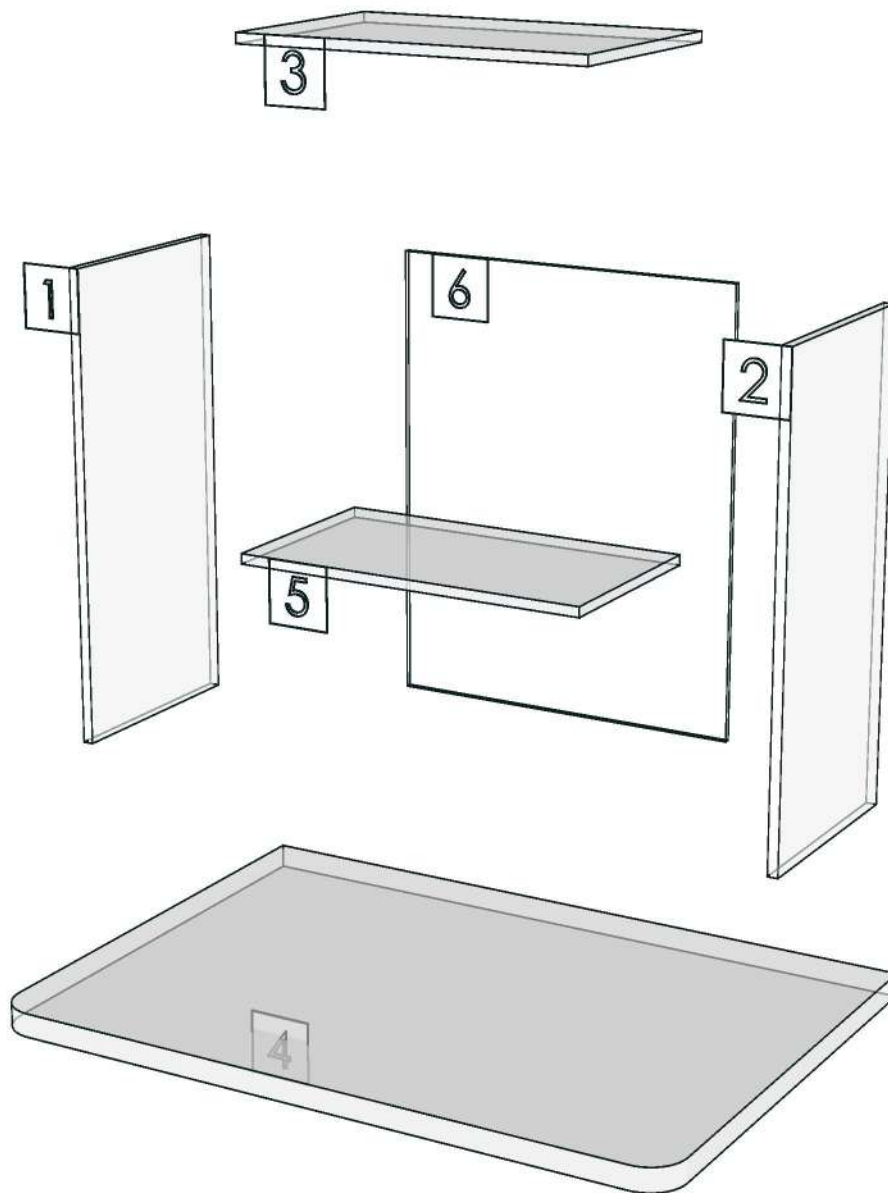
01.339=1 DX1557PG(EDL) C070TH00 MD642 MIRROR GLOSS

01.287=1 MD565(GREY TOURMALINE) (AA8)

01.47=1 WHITE



<b>Model</b>	-ASPIRE_ON_DLOMV60		
<b>Creator</b>	SUTTHI.P	<b>Name</b>	INDEX_C3D_KITCHENPAE
<b>Reviewer</b>		<b>Order</b>	O001206
<b>Approves</b>		<b>Date</b>	13/09/2023



<b>Model</b>	ASPIRE_ON_DL60HLS		
<b>Creator</b>	SUTTHI.P	<b>Name</b>	INDEX_C3D_KITCHENPAE
<b>Reviewer</b>		<b>Order</b>	O001204
<b>Approves</b>		<b>Date</b>	13/09/2023

## **ASPIRE\_ON\_DL60HLS-600X350X555**

### **Colour**

20.81=ML.COLORADO MD642 (MATT)

20.80=ML.MD565 (GREY TOURMALINE) EVELYN

20.07=ML AE9V (MATT)

### **Edge**

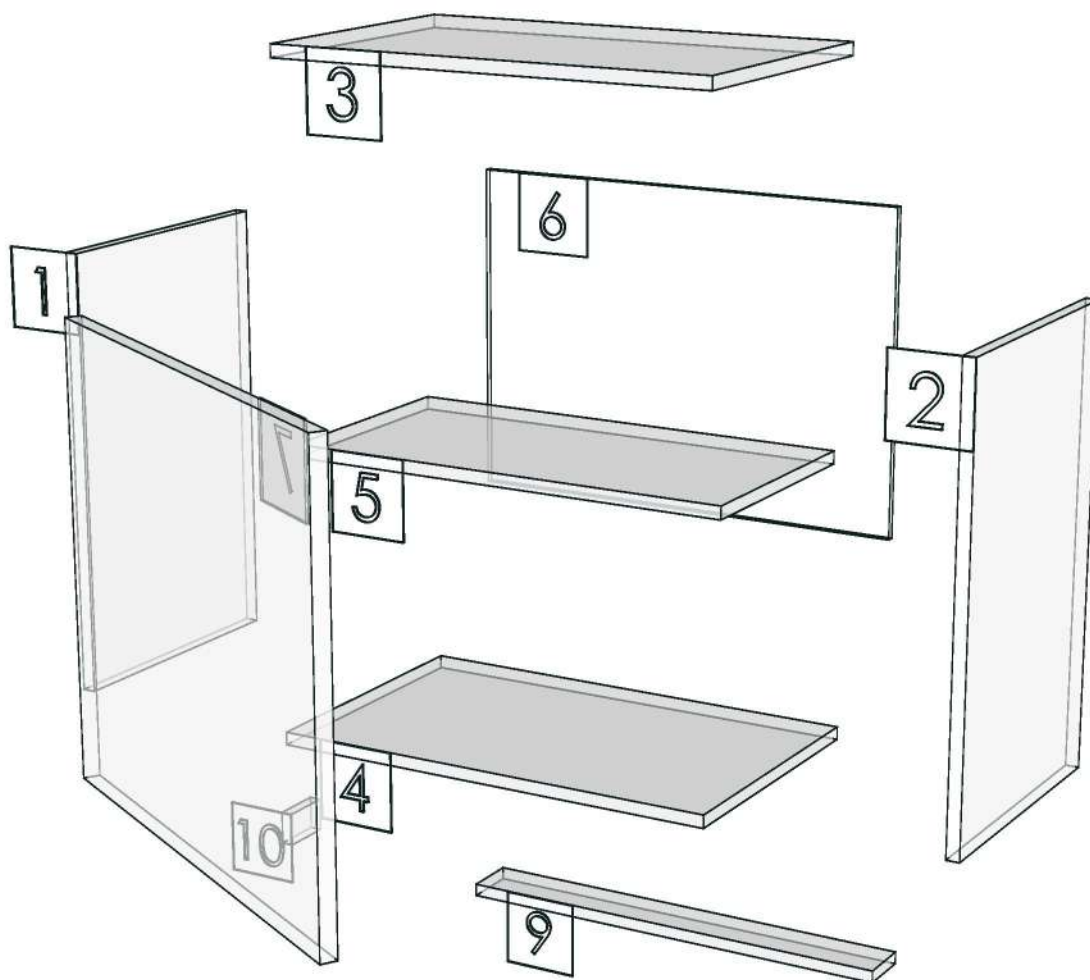
01.339=1 DX1557PG(EDL) C070TH00 MD642 MIRROR GLOSS

01.287=1 MD565(GREY TOURMALINE) (AA8)

01.47=1 WHITE



<b>Model</b>	-ASPIRE_ON_DL60HLS		
<b>Creator</b>	SUTTHI.P	<b>Name</b>	INDEX_C3D_KITCHENPAE
<b>Reviewer</b>		<b>Order</b>	0001204
<b>Approves</b>		<b>Date</b>	13/09/2023



<b>Model</b>	ASPIRE_ON_DDM_1200H1		
<b>Creator</b>	SUTTHI.P	<b>Name</b>	INDEX_C3D_KITCHENPAE
<b>Reviewer</b>		<b>Order</b>	O001207
<b>Approves</b>		<b>Date</b>	14/09/2023

## **ASPIRE\_ON\_DDM\_1200H1-1200X16X355**

### **Colour**

20.81=ML.COLORADO MD642 (MATT)

20.80=ML.MD565 (GREY TOURMALINE) EVELYN

20.07=ML AE9V (MATT)

### **Edge**

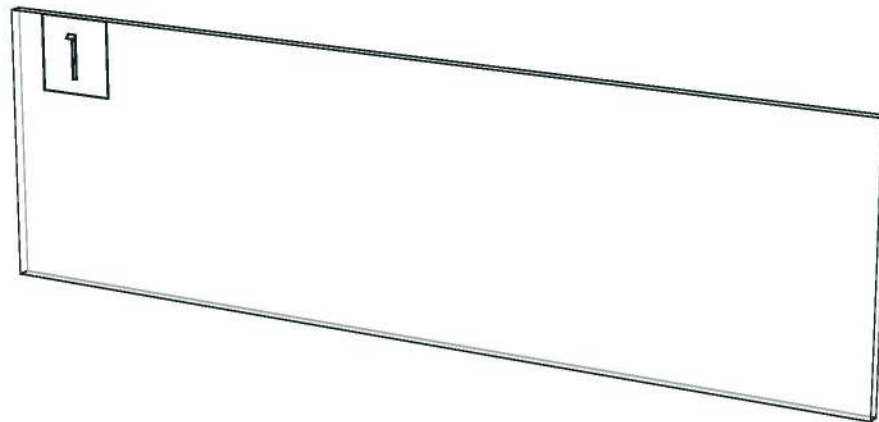
01.339=1 DX1557PG(EDL) C070TH00 MD642 MIRROR GLOSS

01.287=1 MD565(GREY TOURMALINE) (AA8)

01.47=1 WHITE



<b>Model</b>	-ASPIRE_ON_DDM_1200H1		
<b>Creator</b>	SUTTHI.P	<b>Name</b>	INDEX_C3D_KITCHENPAE
<b>Reviewer</b>		<b>Order</b>	O001207
<b>Approves</b>		<b>Date</b>	14/09/2023



<b>Model</b>	ASPIRE_ON_DDM_600H2		
<b>Creator</b>	SUTTHI.P	<b>Name</b>	INDEX_C3D_KITCHENPAE
<b>Reviewer</b>		<b>Order</b>	O001210
<b>Approves</b>		<b>Date</b>	14/09/2023

## **ASPIRE\_ON\_DDM\_600H2-600X16X150**

### **Colour**

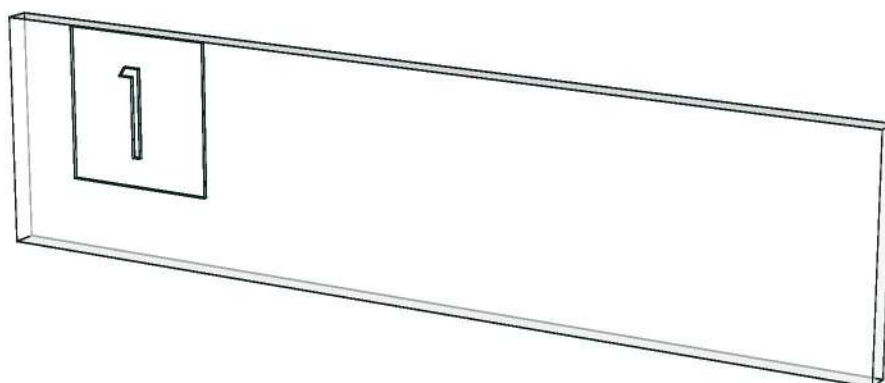
20.81=ML.COLORADO MD642 (MATT)  
20.80=ML.MD565 (GREY TOURMALINE) EVELYN  
20.07=ML AE9V (MATT)

### **Edge**

01.339=1 DX1557PG(EDL) C070TH00 MD642 MIRROR GLOSS  
01.287=1 MD565(GREY TOURMALINE) (AA8)  
01.47=1 WHITE



<b>Model</b>	-ASPIRE_ON_DDM_600H2		
<b>Creator</b>	SUTTHI.P	<b>Name</b>	INDEX_C3D_KITCHENPAE
<b>Reviewer</b>		<b>Order</b>	0001210
<b>Approves</b>		<b>Date</b>	14/09/2023



<b>Model</b>	ASPIRE_ON_DPLT_1200		
<b>Creator</b>	SUTTHI.P	<b>Name</b>	INDEX_C3D_KITCHENPAE
<b>Reviewer</b>		<b>Order</b>	O001215
<b>Approves</b>		<b>Date</b>	14/09/2023

## **ASPIRE\_ON\_DPLT\_1200-1200X9X100**

### **Colour**

20.81=ML.COLORADO MD642 (MATT)

20.80=ML.MD565 (GREY TOURMALINE) EVELYN

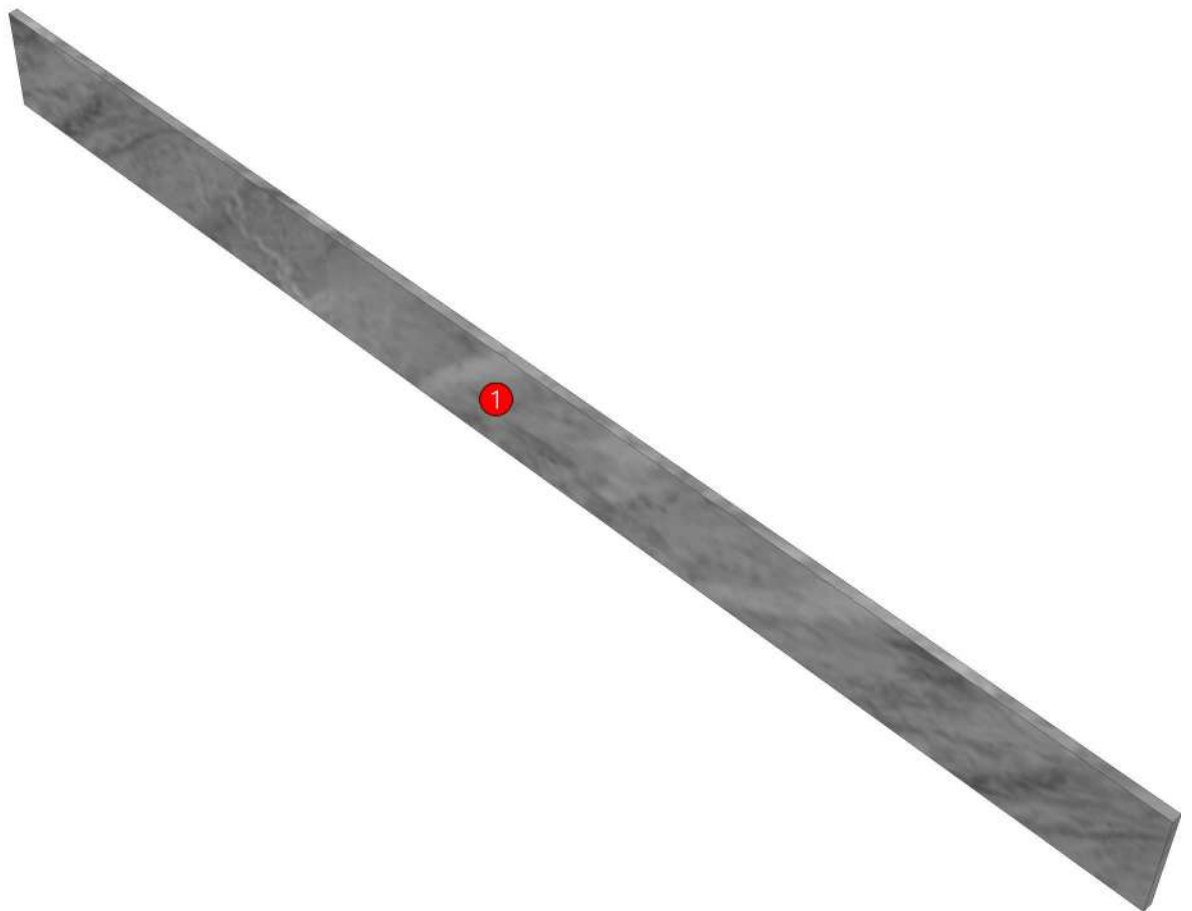
20.07=ML AE9V (MATT)

### **Edge**

01.339=1 DX1557PG(EDL) C070TH00 MD642 MIRROR GLOSS

01.287=1 MD565(GREY TOURMALINE) (AA8)

01.47=1 WHITE



<b>Model</b>	-ASPIRE_ON_DPLT_1200		
<b>Creator</b>	SUTTHI.P	<b>Name</b>	INDEX_C3D_KITCHENPAE
<b>Reviewer</b>		<b>Order</b>	0001215
<b>Approves</b>		<b>Date</b>	14/09/2023



<b>Model</b>	ASPIRE_ON_DPLT_600		
<b>Creator</b>	SUTTHI.P	<b>Name</b>	INDEX_C3D_KITCHENPAE
<b>Reviewer</b>		<b>Order</b>	O001216
<b>Approves</b>		<b>Date</b>	14/09/2023

## **ASPIRE\_ON\_DPLT\_600-600X9X100**

### **Colour**

20.81=ML.COLORADO MD642 (MATT)

20.80=ML.MD565 (GREY TOURMALINE) EVELYN

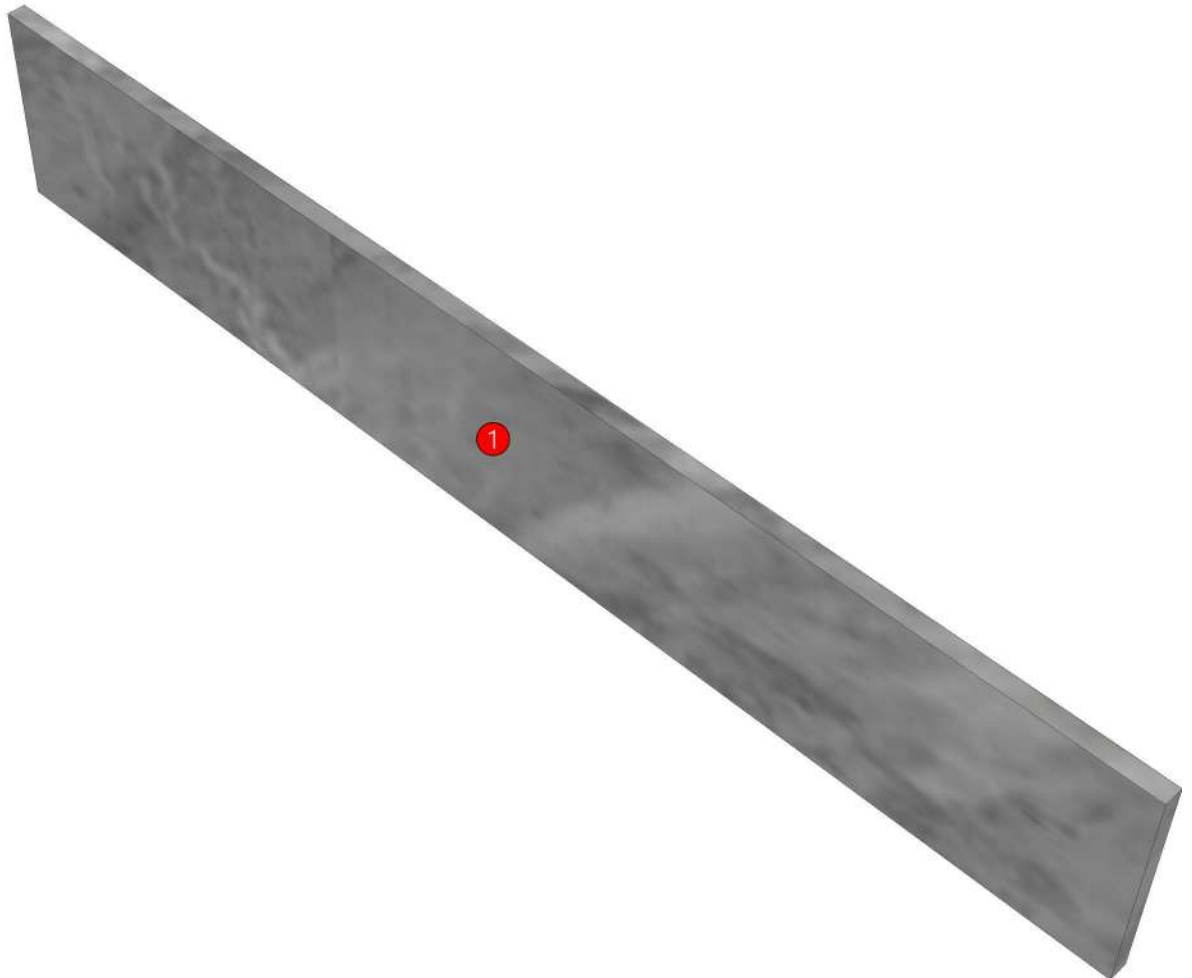
20.07=ML AE9V (MATT)

### **Edge**

01.339=1 DX1557PG(EDL) C070TH00 MD642 MIRROR GLOSS

01.287=1 MD565(GREY TOURMALINE) (AA8)

01.47=1 WHITE



<b>Model</b>	-ASPIRE_ON_DPLT_600		
<b>Creator</b>	SUTTHI.P	<b>Name</b>	INDEX_C3D_KITCHENPAE
<b>Reviewer</b>		<b>Order</b>	O001216
<b>Approves</b>		<b>Date</b>	14/09/2023

