

Model	ASPIRE_SKV_DBS601RGL		
Creator	PASATHORN	.BCP Name	INDEX_C3D_KITCHEN2
Reviewer		Order	I002458
Approves		Date	20/07/2023

ASPIRE_SKV_DBS601RGL-600X570X913

Colour

20.76=ML.SAND STERLING#BJ7 (MINI PEARL)
20.24=ML AE9V (PEARL)

Edge

01.329=1 ML.BJ7 (MINI PEARL)
01.47=1 WHITE

K100R-160097659

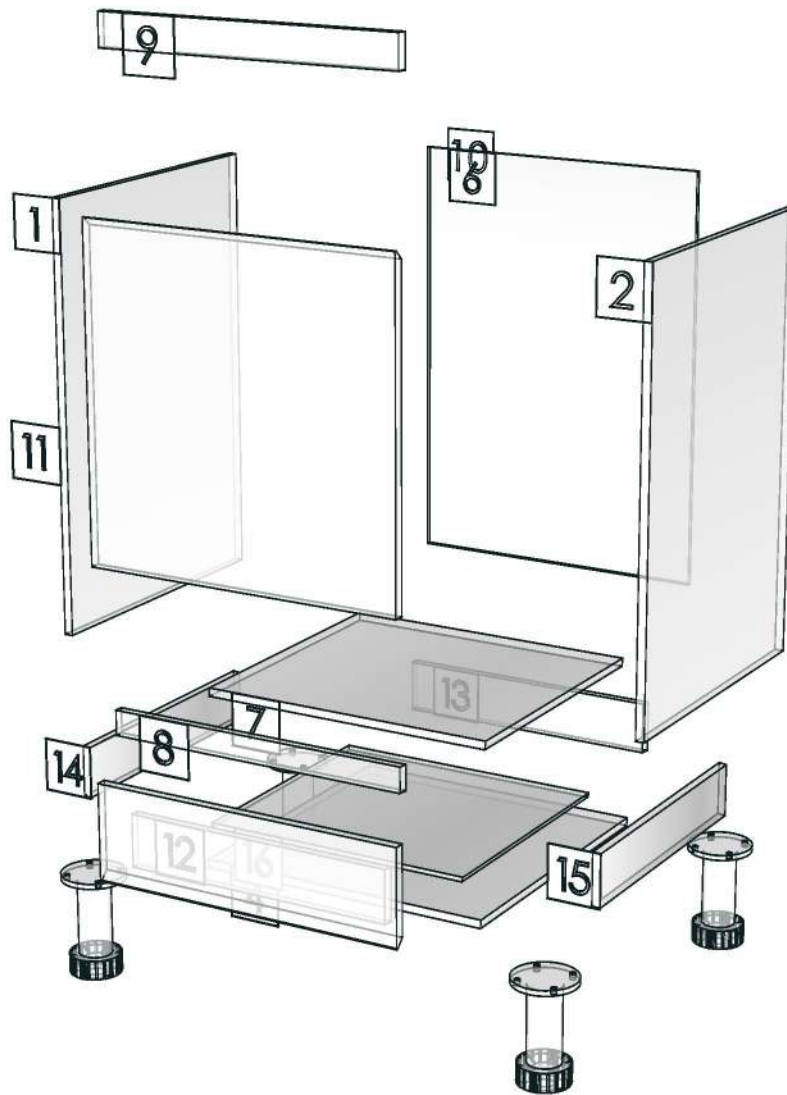
K101R-160129603

K200R-160129620

K300R-160097668



Model	-ASPIRE_SKV_DBS601RGL		
Creator		.BCP Name	INDEX_C3D_KITCHEN2
Reviewer		Order	I002458
Approves		Date	



Model	ASPIRE_SKV_DBO70		
Creator	PASATHORN	.BCP Name	INDEX_C3D_KITCHEN2
Reviewer		Order	I000992
Approves		Date	08/04/2022

ASPIRE_SKV_DBO70-700X570X913

Colour

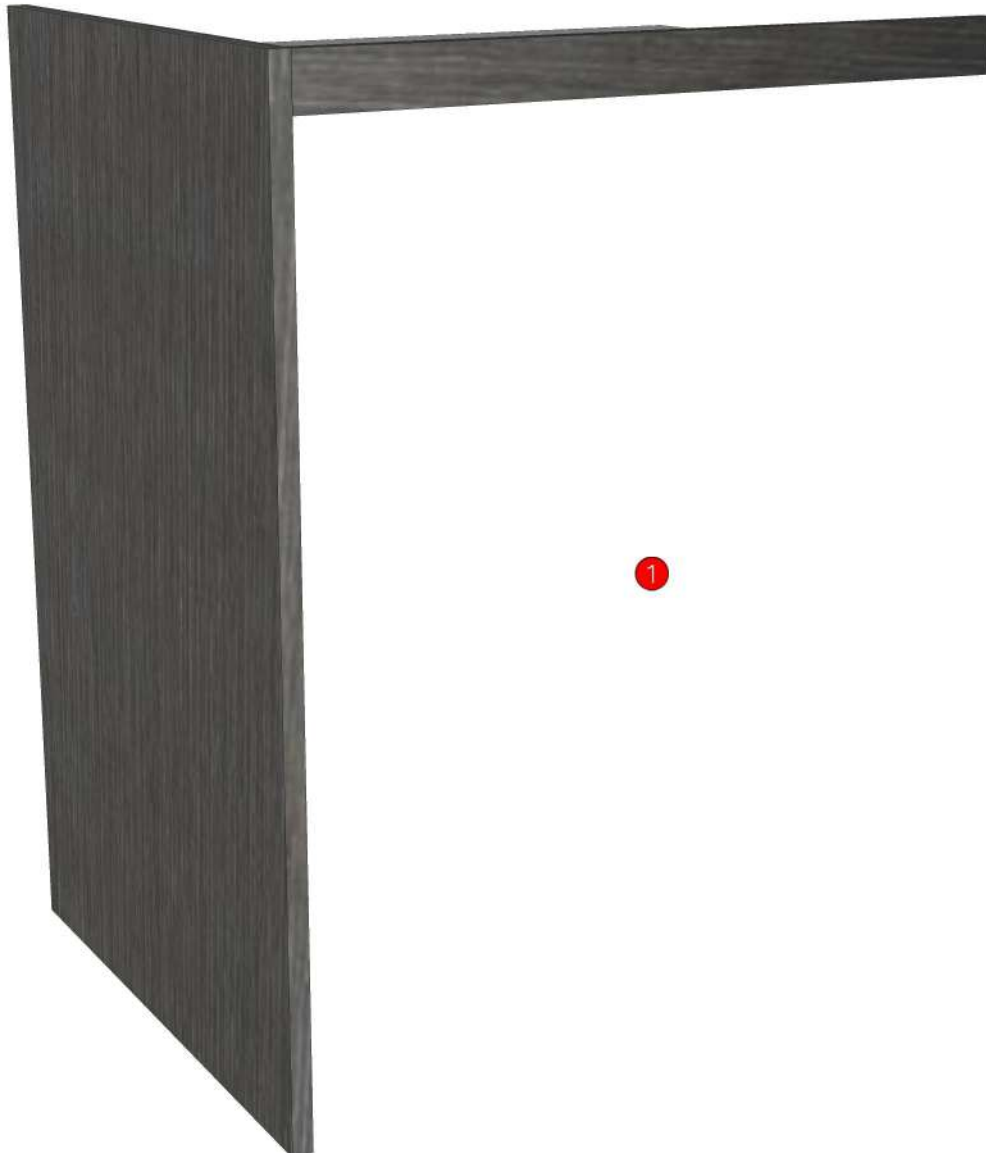
20.76=ML.SAND STERLING#BJ7 (MINI PEARL)
20.24=ML AE9V (PEARL)

Edge

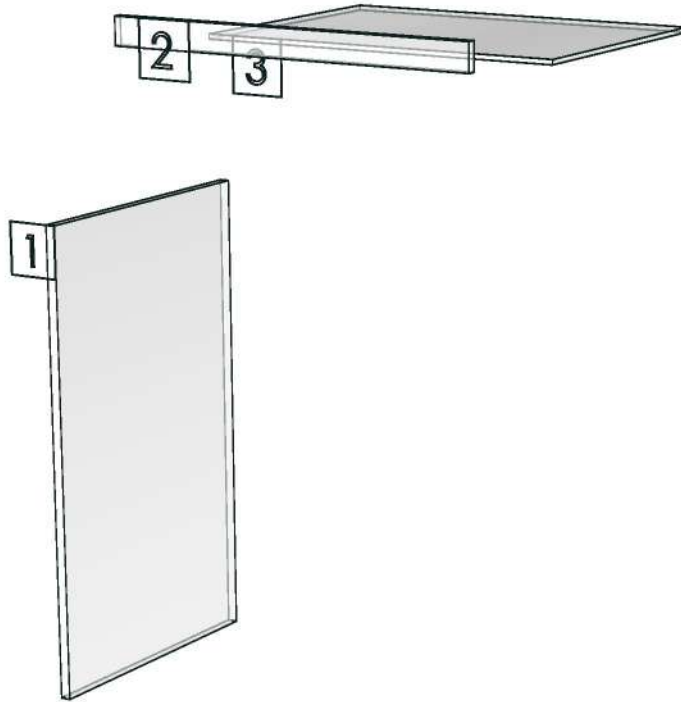
01.329=1 ML.BJ7 (MINI PEARL)
01.47=1 WHITE

K100L-160129586
K100R-160097659
K101L-160129595
K101R-160129603

K200L-160129611
K200R-160129620
K300L-160129629
K300R-160097668



Model	-ASPIRE_SKV_DBO70		
Creator		.BCP Name	INDEX_C3D_KITCHEN2
Reviewer		Order	I000992
Approves		Date	



Model	ASPIRE_SKV_DL60HL		
Creator	PASATHORN	.BCP Name	INDEX_C3D_KITCHEN2
Reviewer		Order	I000991
Approves	P.SAWAI	Date	08/04/2022

ASPIRE_SKV_DL60HL-600X350X555

Colour

20.77=ML.SMOKY RAIN#BK1 (FINO METAL)

20.24=ML AE9V (PEARL)

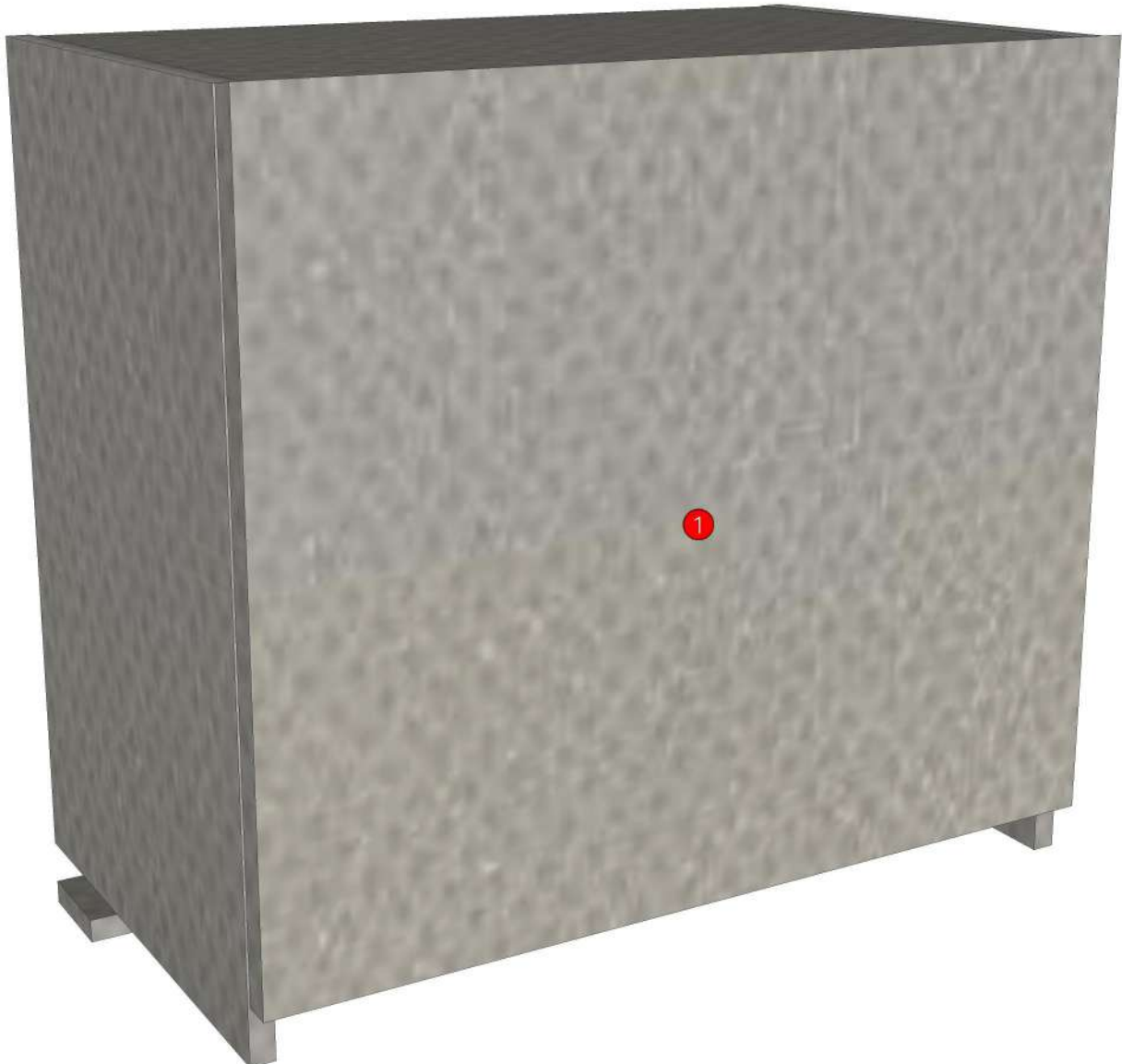
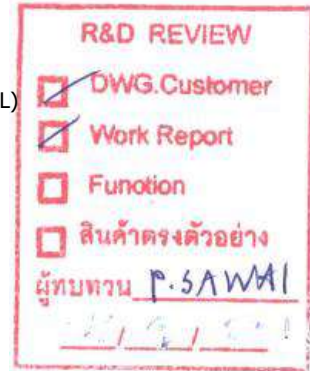
K100R-160097659

Edge

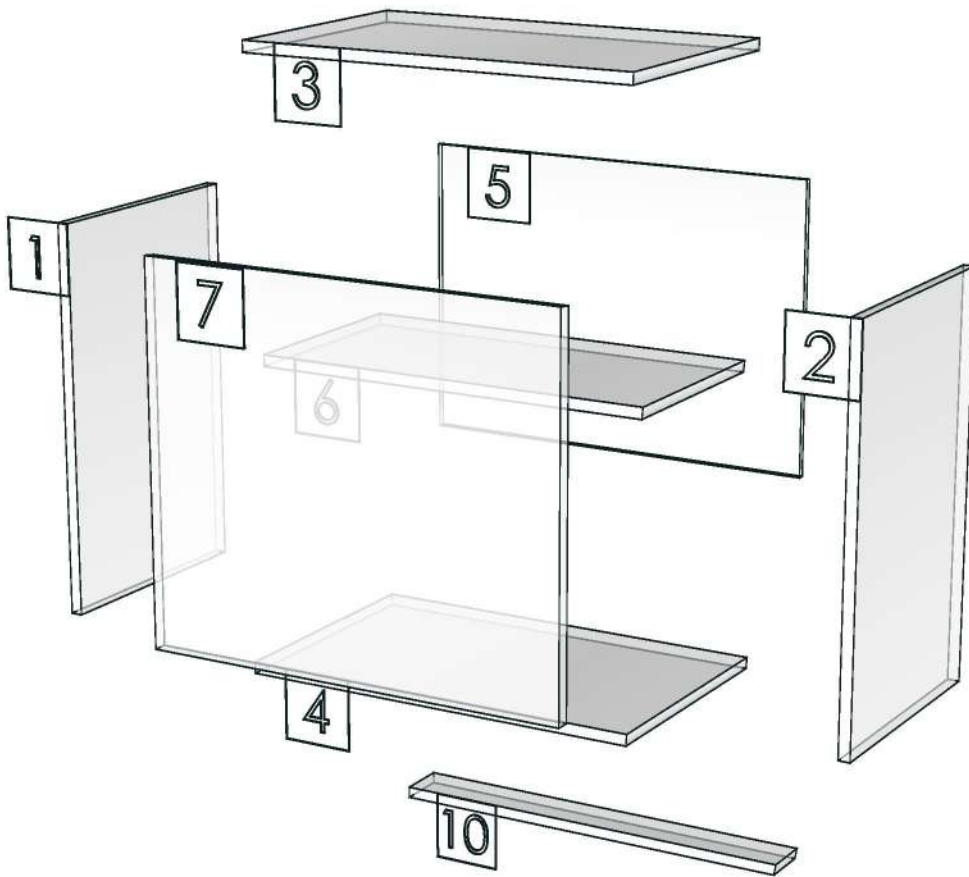
01.330=1 ML.BK1 (FINO METAL)

01.47=1 WHITE

K300R-160097668



Model	-ASPIRE_SKV_DL60HL		
Creator		.BCP Name	INDEX_C3D_KITCHEN2
Reviewer		Order	I000991
Approves		Date	



Model	ASPIRE_SKV_DL0MV65		
Creator	PASATHORN	.BCP Name	INDEX_C3D_KITCHEN2
Reviewer		Order	I000987
Approves	P. SAWAI	Date	08/04/2022

ASPIRE_SKV_DL0MV65-650X400X750

Colour

20.77=ML.SMOKY RAIN#BK1 (FINO METAL)

Edge

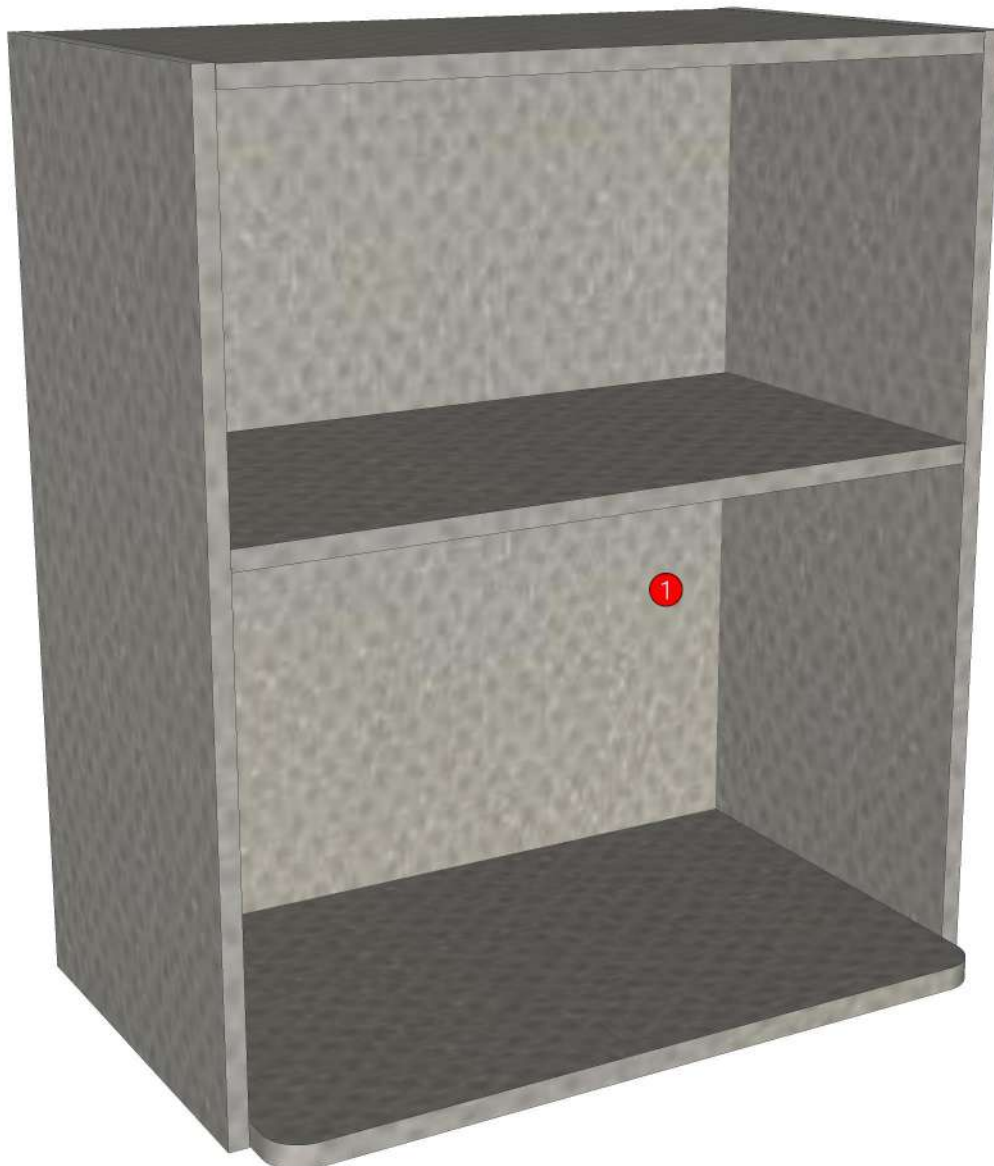
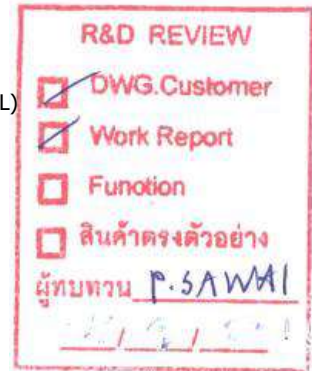
01.330=1 ML.BK1 (FINO METAL)

K100L-160129586

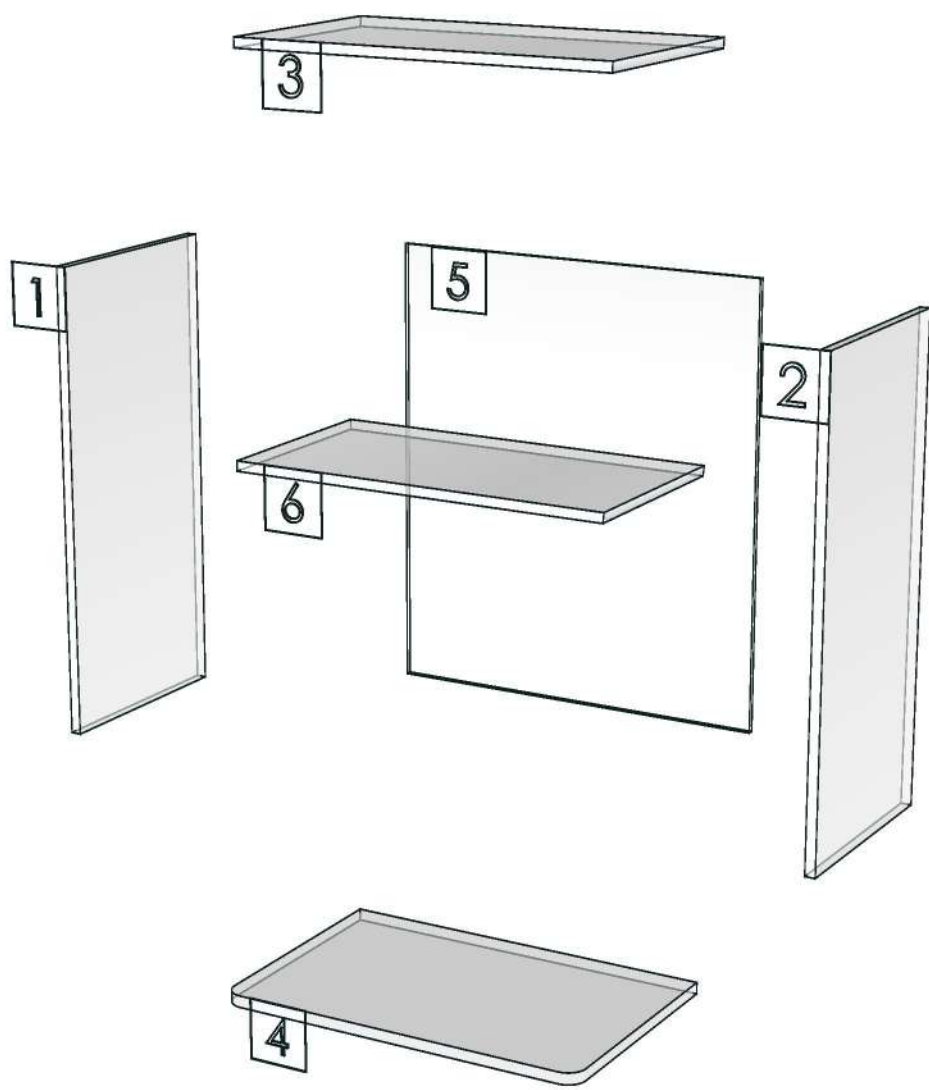
K100R-160097659

K300L-160129629

K300R-160097668



Model	-ASPIRE_SKV_DLOMV65		
Creator		.BCP Name	INDEX_C3D_KITCHEN2
Reviewer		Order	I000987
Approves		Date	



Model	ASPIRE_SKV_DDM700		
Creator	PASATHORN	.BCP Name	INDEX_C3D_KITCHEN2
Reviewer		Order	I000986
Approves	P.SAWAI	Date	07/04/2022

ASPIRE_SKV_DDM700-700X16X150

Colour

20.77=ML.SMOKY RAIN#BK1 (FINO METAL)

K100L-160129586

K100R-160097659

K200L-160129611

K200R-160129620

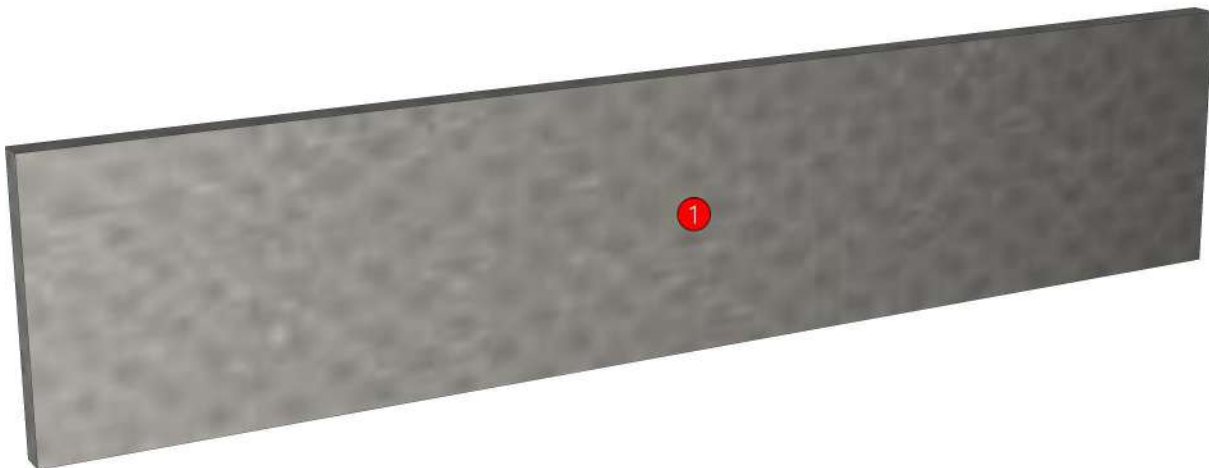
K300L-160129629

K300R-160097668

Edge

01.330=1 ML.BK1 (FINO METAL)

R&D REVIEW	
<input checked="" type="checkbox"/>	DWG.Customer
<input checked="" type="checkbox"/>	Work Report
<input type="checkbox"/>	Function
<input type="checkbox"/>	สินค้าตรงตัวอย่าง
ผู้ทบทวน P.SAWAI	
07/04/2022	



Model	ASPIRE_SKV_DFL		
Creator	PASATHORN	.BCP Name	INDEX_C3D_KITCHEN2
Reviewer		Order	I002455
Approves	P.SAWAI	Date	18/07/2023

ASPIRE_SKV_DFL-150X16X600

Colour

20.77=ML.SMOKY RAIN#BK1 (FINO METAL)

K100L-160129586

K100R-160097659

K102L-160124637

K300L-160129629

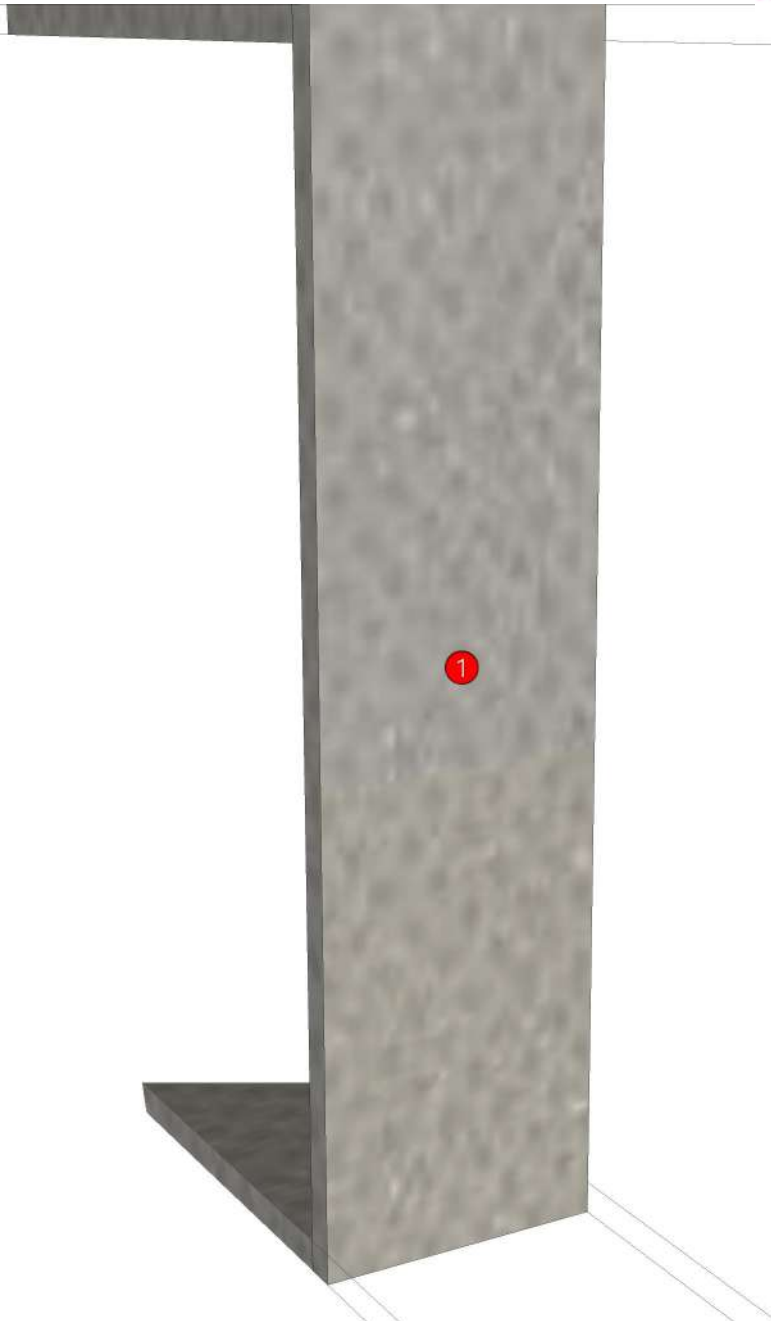
K300R-160097668

K301L-160129638

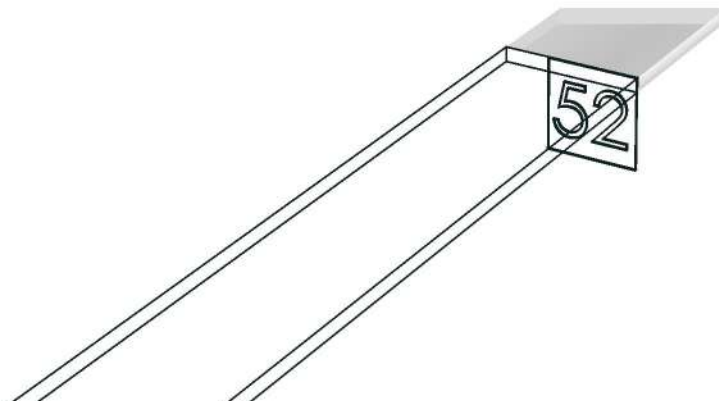
Edge

01.330=1 ML.BK1 (FINO METAL)

R&D REVIEW	
<input checked="" type="checkbox"/>	DWG.Customer
<input checked="" type="checkbox"/>	Work Report
<input type="checkbox"/>	Function
<input type="checkbox"/>	สินค้าตรงตัวอย่าง
ผู้ทบทวน P.SAWAI	
18/07/2023	



Model	-ASPIRE_SKV_DFL		
Creator		.BCP Name	INDEX_C3D_KITCHEN2
Reviewer		Order	I002455
Approves		Date	



Model	ASPIRE_SKV_DF_CL1350		
Creator	PASATHORN	.BCP Name	INDEX_C3D_KITCHEN2
Reviewer		Order	I000977
Approves	P.SAWAI	Date	02/04/2022

ASPIRE_SKV_DF_CL1350-1350X16X355

Colour

20.77=ML.SMOKY RAIN#BK1 (FINO METAL)

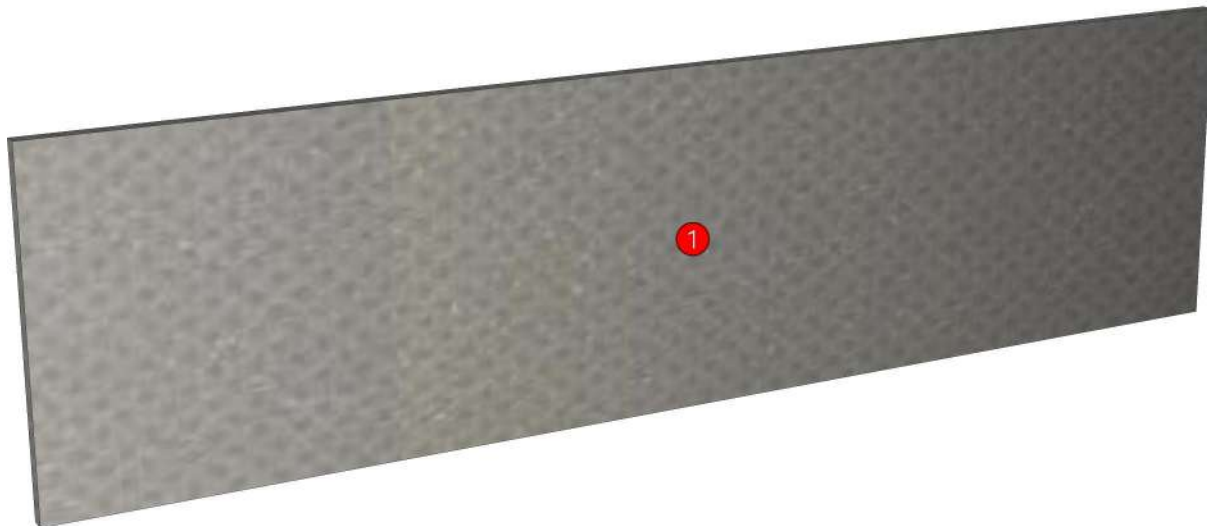
Edge

01.330=1 ML.BK1 (FINO METAL)

K100L-160129586

K100R-160097659

R&D REVIEW	
<input checked="" type="checkbox"/>	DWG.Customer
<input checked="" type="checkbox"/>	Work Report
<input type="checkbox"/>	Function
<input type="checkbox"/>	สินค้าตรงตัวอย่าง
ผู้ทบทวน P.SAWAI	
_____/_____/____!	



Model	ASPIRE_SKV_DF_CL350		
Creator	PASATHORN	.BCP Name	INDEX_C3D_KITCHEN2
Reviewer		Order	I002454
Approves	P.SAWAI	Date	18/07/2023

ASPIRE_SKV_DF_CL350-350X16X355

Colour

20.77=ML.SMOKY RAIN#BK1 (FINO METAL)

Edge

01.330=1 ML.BK1 (FINO METAL)

K100L-160129586
K100R-160097659
K101L-160129595
K101R-160129603

R&D REVIEW	
<input checked="" type="checkbox"/>	DWG.Customer
<input checked="" type="checkbox"/>	Work Report
<input type="checkbox"/>	Function
<input type="checkbox"/>	สินค้าตรงตัวอย่าง
ผู้ทบทวน P.SAWAI	
18/07/2023	



Model	ASPIRE_SKV_D_PLT600		
Creator	PASATHORN	.BCP Name	INDEX_C3D_KITCHEN2
Reviewer		Order	I000976
Approves	P.SAWAI	Date	02/04/2022

ASPIRE_SKV_D_PLT600-600X9X100

Colour

20.76=ML.SAND STERLING#BJ7 (MINI PEARL)

Edge

01.329=1 ML.BJ7 (MINI PEARL)

- K100L-160129586
- K100R-160097659
- K101L-160129595
- K101R-160129603

- K200L-160129611
- K200R-160129620
- K300L-160129629
- K300R-160097668
- K301L-160129638

