

Model	ESCENT_AYY_DB301L		
Creator	PASATHORN	.BCP Name	INDEX_C3D_KITCHEN2
Reviewer		Order	I001426
Approves		Date	17/11/2022

## ESCENT\_AYY\_DB301L-300X570X922

Colour

20.24=ML AE9V (PEARL)

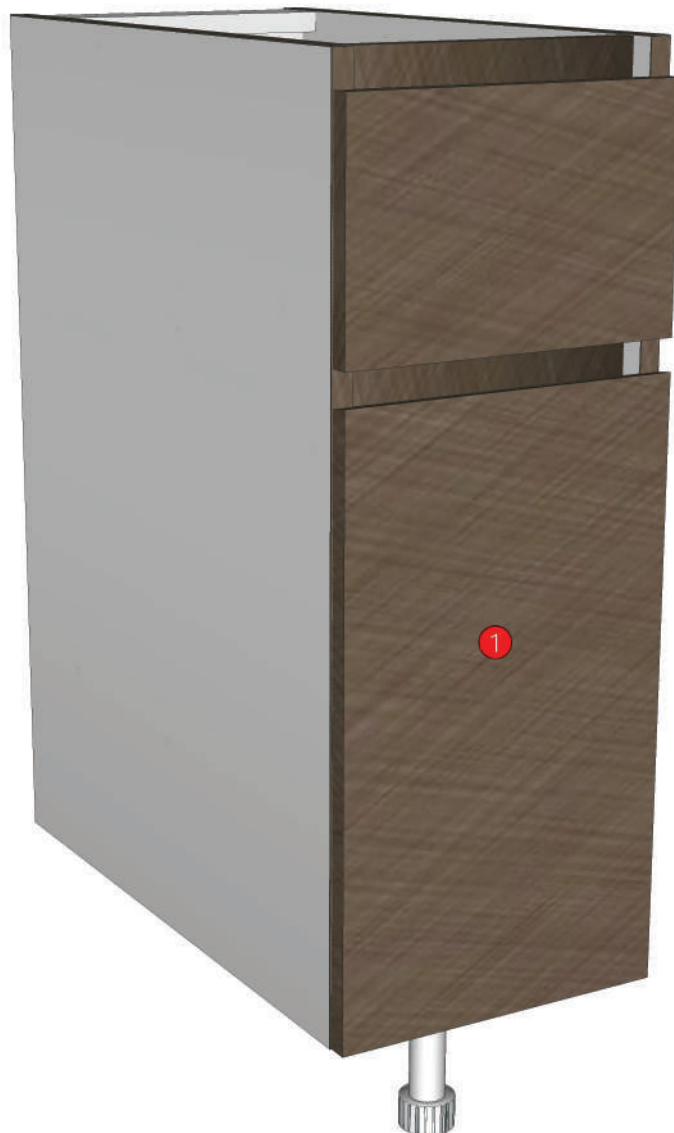
05.41=ML FOSS ZILK# BK2 (CROSS METAL)

Edge

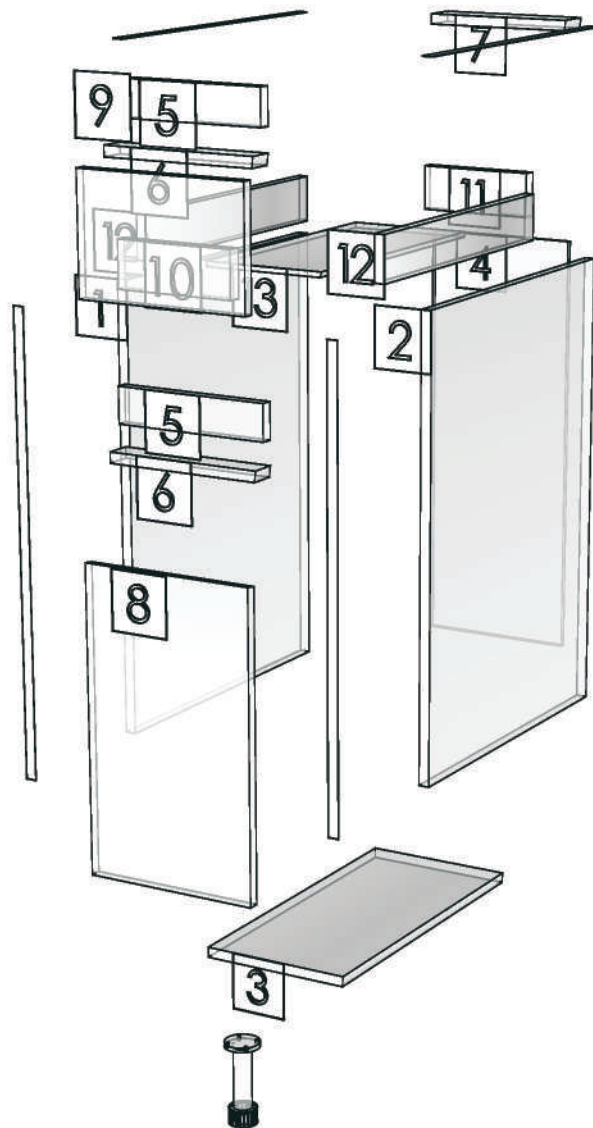
01.47=1 WHITE

01.299=1 FOSS ZILK BK2 A1285 TH00

K2R-160089013



Model	-ESCENT_AYY_DB301L		
Creator	PASATHORN	.BCP Name	INDEX_C3D_KITCHEN2
Reviewer		Order	I001426
Approves		Date	17/11/2022



Model	ESCENT_AYY_DBH601		
Creator	PASATHORN	.BCP Name	INDEX_C3D_KITCHEN2
Reviewer		Order	I001425
Approves		Date	17/11/2022

## ESCENT\_AYY\_DBH601-600X570X922

### Colour

20.24=ML AE9V (PEARL)

05.41=ML FOSS ZILK# BK2 (CROSS METAL)

### Edge

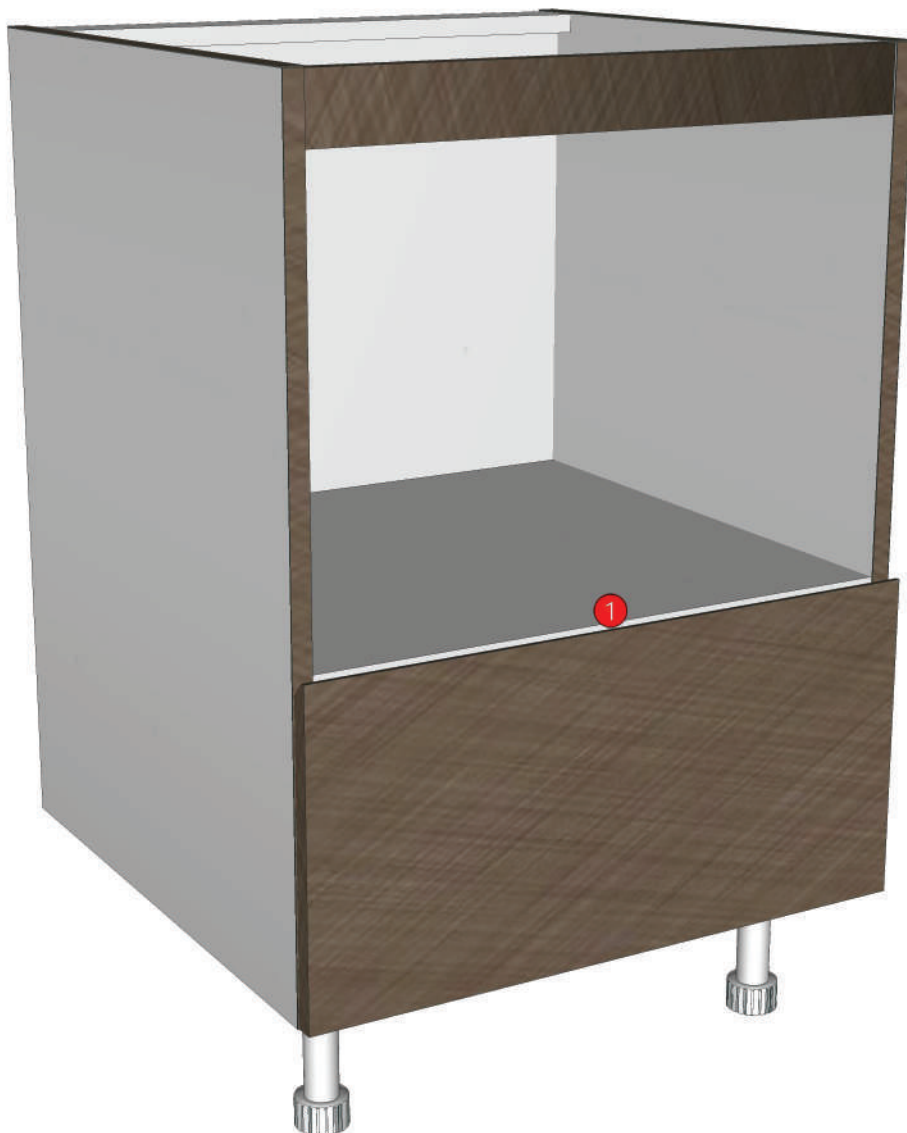
01.47=1 WHITE

01.299=1 FOSS ZILK BK2 A1285 TH00

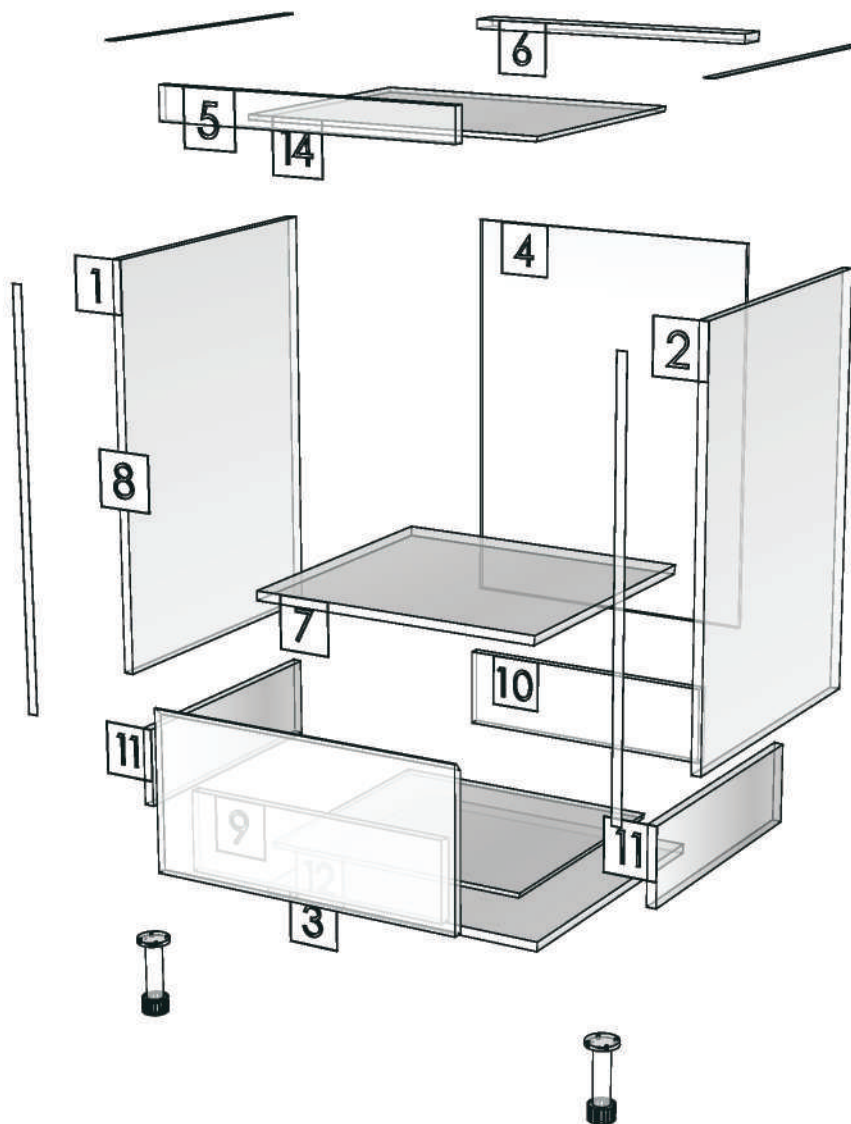
K2L-160120135

K2R-160089013

K3L-160116081



Model	-ESCENT_AYY_DBH601		
Creator	PASATHORN	.BCP Name	INDEX_C3D_KITCHEN2
Reviewer		Order	I001425
Approves		Date	17/11/2022



Model	ESCENT_AYY_DBS55L		
Creator	PASATHORN	.BCP Name	INDEX_C3D_KITCHEN2
Reviewer		Order	I002082
Approves		Date	15/02/2023

## ESCENT\_AYY\_DBS55L-550X570X922

### Colour

20.24=ML AE9V (PEARL)

05.41=ML FOSS ZILK# BK2 (CROSS METAL)

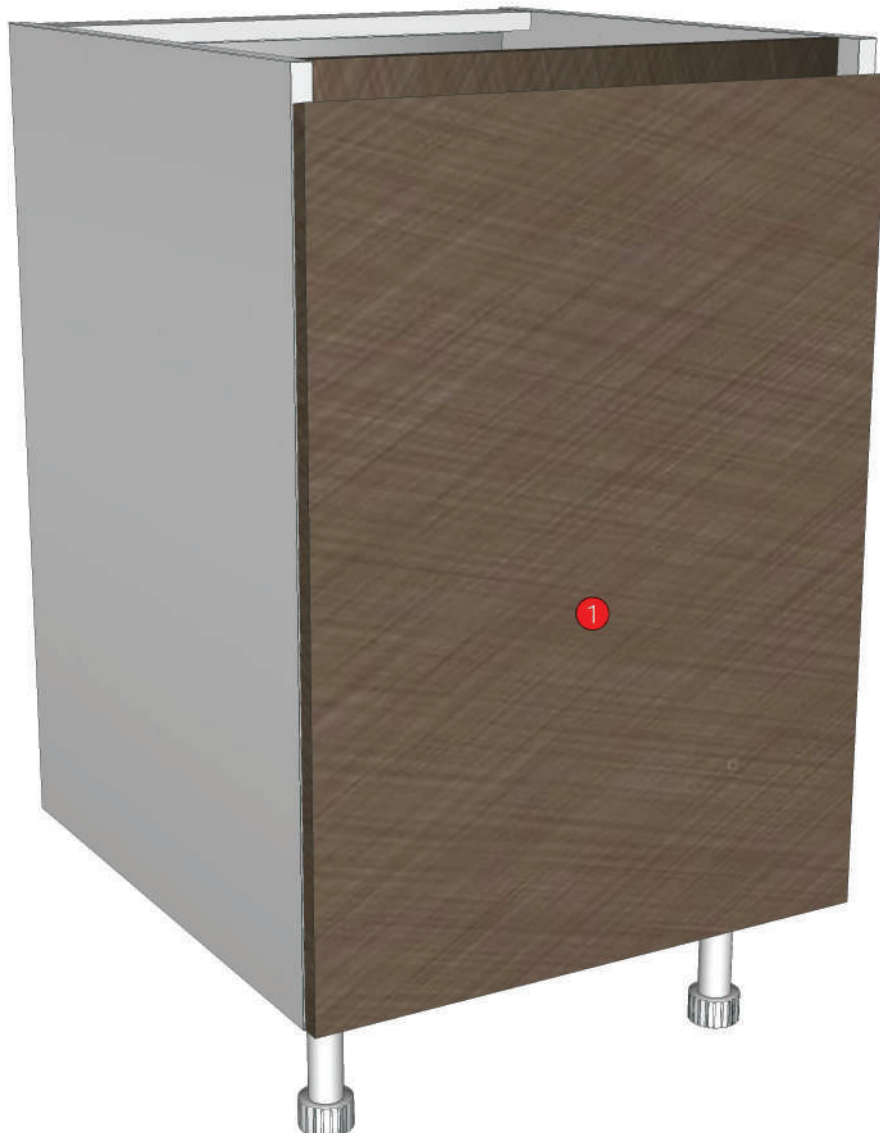
### Edge

01.47=1 WHITE

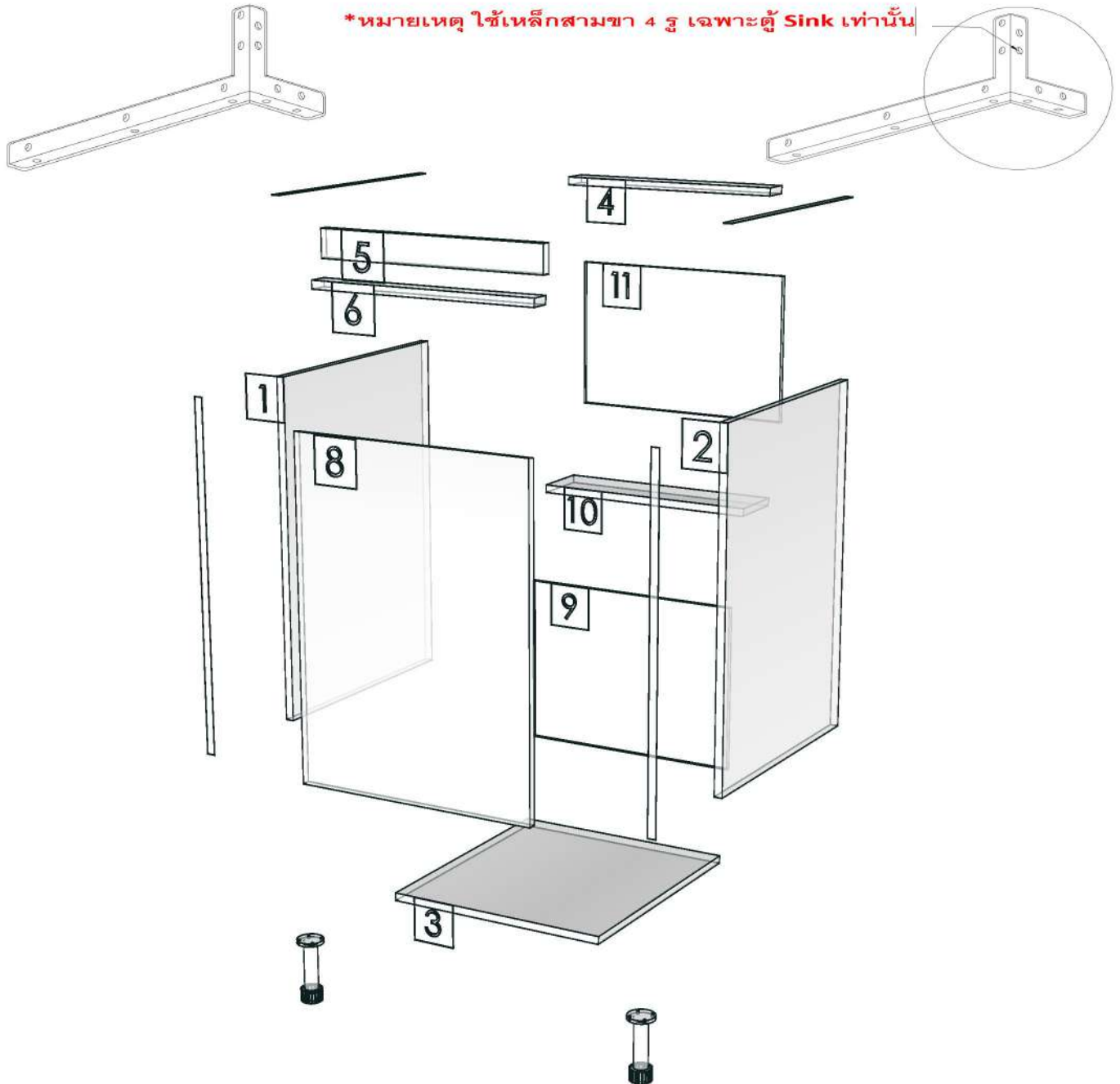
01.299=1 FOSS ZILK BK2 A1285 TH00

01.24=0.6 WHITE

K2L-160120135



<b>Model</b>	-ESCENT_AYY_DBS55L		
<b>Creator</b>	PASATHORN	<b>.BCP Name</b>	INDEX_C3D_KITCHEN2
<b>Reviewer</b>		<b>Order</b>	I002082
<b>Approves</b>	P. SAWAI	<b>Date</b>	15/02/2023





Model	ESCENT_AYY_DF_CL525		
Creator	PASATHORN	.BCP Name	INDEX_C3D_KITCHEN2
Reviewer		Order	I001396
Approves	P.SAWAI	Date	15/11/2022

## ESCENT\_AYY\_DF\_CL525-525X18X370

Colour

20.24=ML AE9V (PEARL)

Edge

01.47=1 WHITE

K1L-160116070

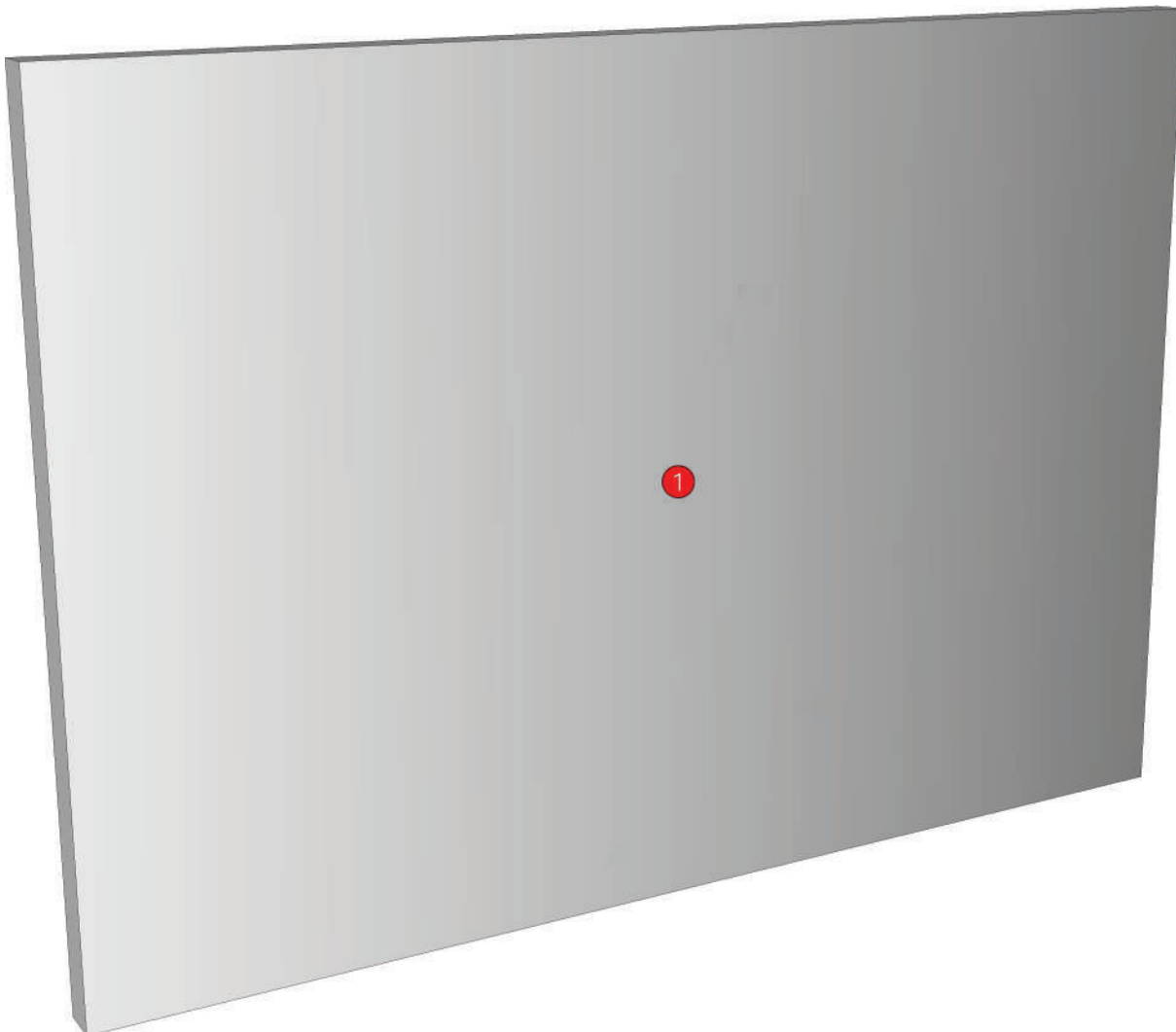
K1R-160089002

K2L-160120135

K2R-160089013



<b>R&amp;D REVIEW</b>	
<input checked="" type="checkbox"/>	DWG.Customer
<input checked="" type="checkbox"/>	Work Report
<input type="checkbox"/>	Function
<input type="checkbox"/>	สินค้าตรงตัวอย่าง
ผู้ทบทวน P.SAWAI	
25/11/22	



Model	ESCENT_AYY_DF_CL1550		
Creator	PASATHORN	.BCP Name	INDEX_C3D_KITCHEN2
Reviewer		Order	I001395
Approves	P-SAWAI	Date	15/11/2022

## ESCENT\_AYY\_DF\_CL1550-1550X18X370

Colour  
20.24=ML AE9V (PEARL)

Edge  
01.47=1 WHITE

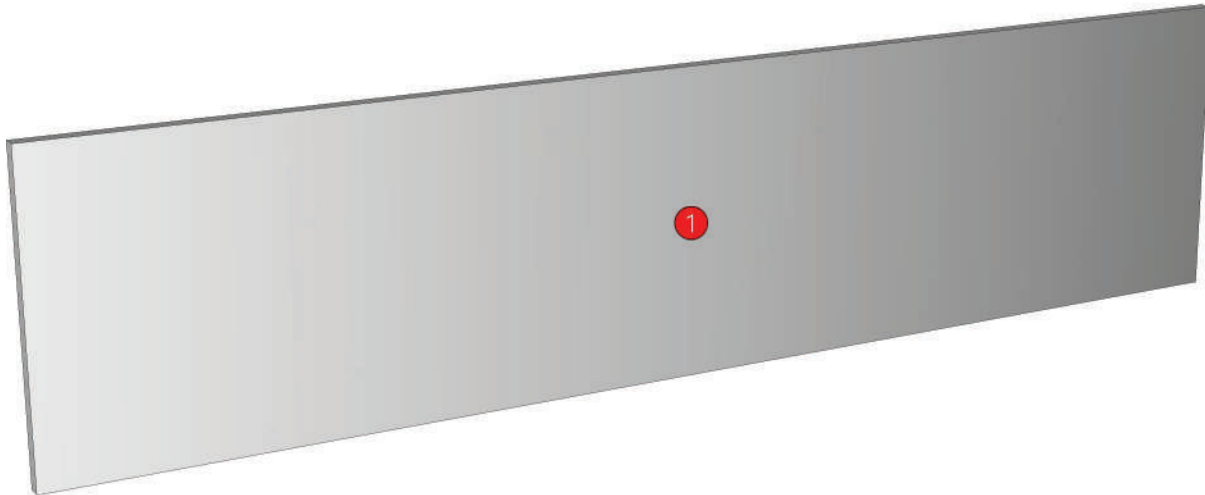
K1L-160116070  
K1R-160089002  
K2L-160120135  
K2R-160089013



K5R-160120146



<b>R&amp;D REVIEW</b>	
<input checked="" type="checkbox"/>	DWG.Customer
<input checked="" type="checkbox"/>	Work Report
<input type="checkbox"/>	Function
<input type="checkbox"/>	สินค้าตรงตัวอย่าง
ผู้ทบทวน P-SAWAI	
21/11/2022	



Model	ESCENT_AYY_DFB		
Creator	PASATHORN	.BCP Name	INDEX_C3D_KITCHEN2
Reviewer		Order	I001397
Approves	P.SAWAI	Date	15/11/2022

## ESCENT\_AYY\_DFB-150X18X772

Colour

05.41=ML FOSS ZILK# BK2 (CROSS METAL)

20.24=ML AE9V (PEARL)

K1L-160116070

K1R-160089002

K2L-160120135

K2R-160089013

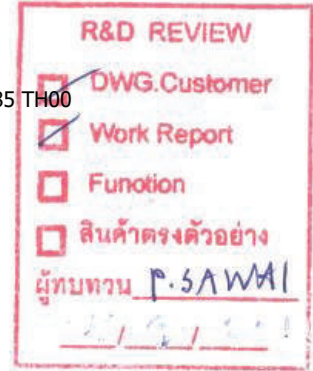
K3L-160116081



Edge

01.299=1 FOSS ZILK BK2 A1285 TH00

01.47=1 WHITE



Model	ESCENT_AYY_DFL		
Creator	PASATHORN	.BCP Name	INDEX_C3D_KITCHEN2
Reviewer		Order	I001420
Approves	P.SAWAI	Date	16/11/2022

## ESCENT\_AYY\_DFL-150X18X640

Colour  
20.24=ML AE9V (PEARL)

Edge  
01.47=1 WHITE

R&D REVIEW	
<input checked="" type="checkbox"/>	DWG.Customer
<input checked="" type="checkbox"/>	Work Report
<input type="checkbox"/>	Function
<input type="checkbox"/>	สินค้าตรงตัวอย่าง
ผู้ทบทวน P.SAWAI	
22/11/22	

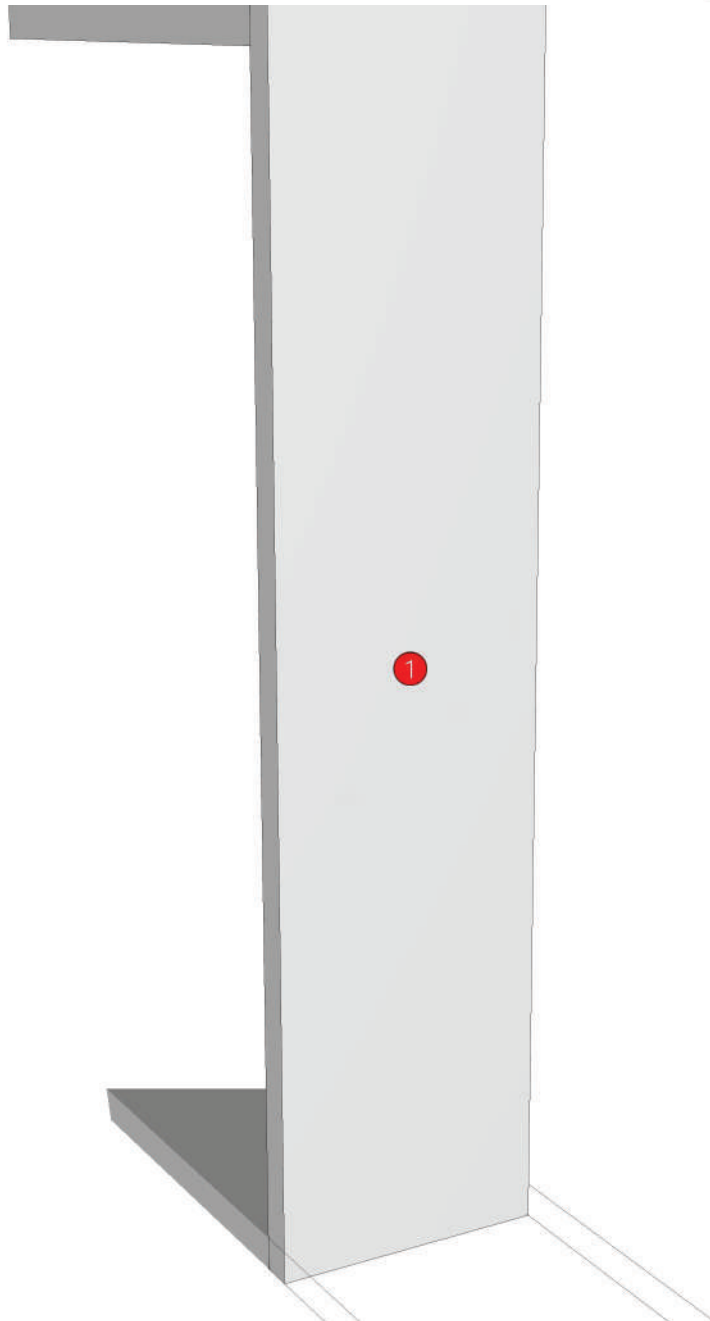
K2L-160120135



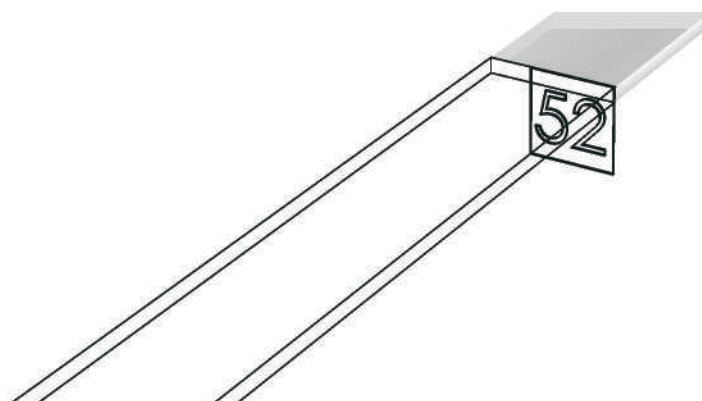
K2R-160089013

K3L-160116081

K5R-160120146



Model	-ESCENT_AYY_DFL		
Creator	PASATHORN	.BCP Name	INDEX_C3D_KITCHEN2
Reviewer		Order	I001420
Approves		Date	16/11/2022



Model	ESCENT_AYY_DL60HR		
Creator	PASATHORN	.BCP Name	INDEX_C3D_KITCHEN2
Reviewer		Order	I001406
Approves	P.SAWAI	Date	15/11/2022

## ESCENT\_AYY\_DL60HR-600X300X600

Colour  
20.24=ML AE9V (PEARL)

Edge  
01.47=1 WHITE

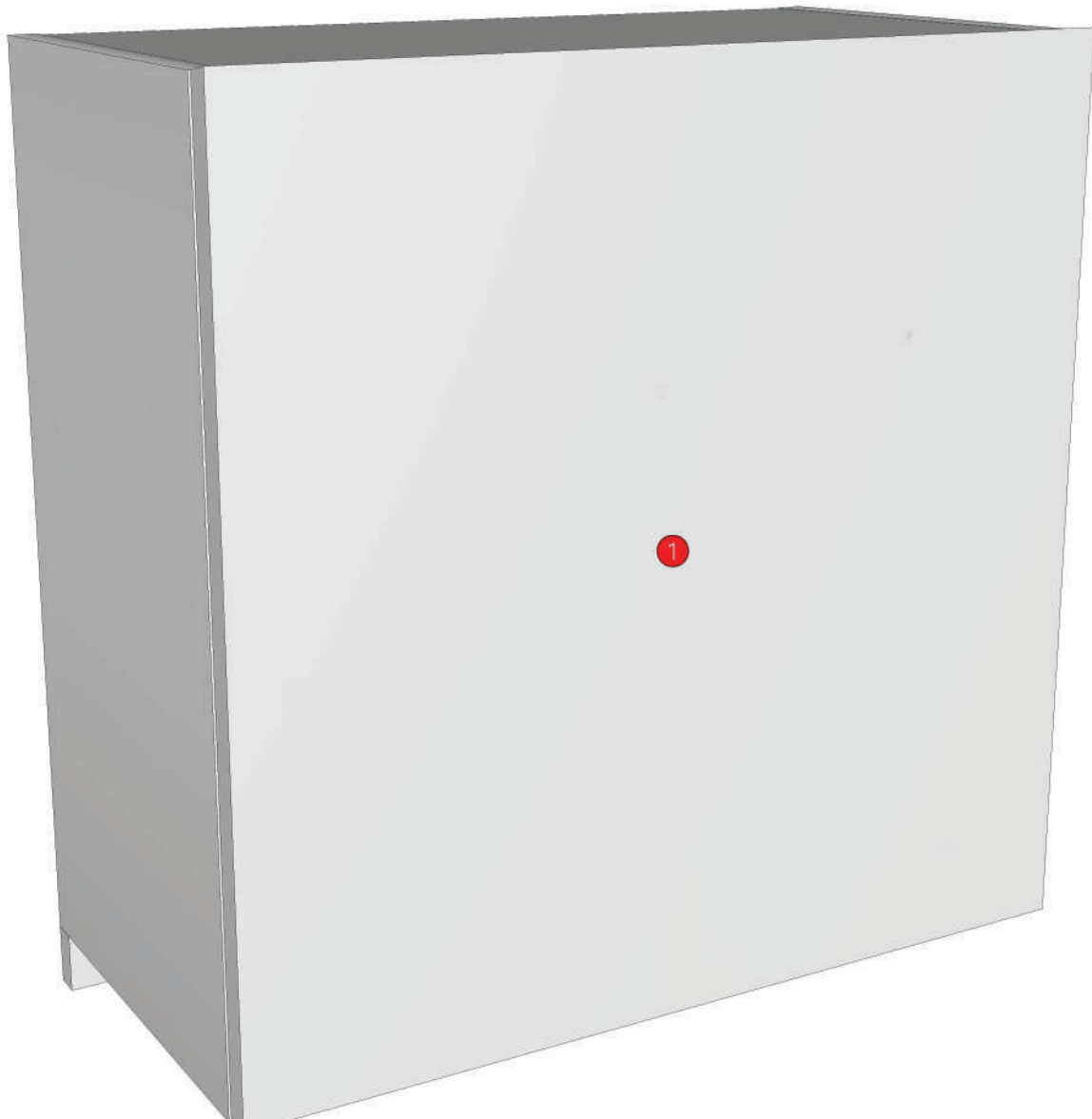
K1L-160116070

K2L-160120135

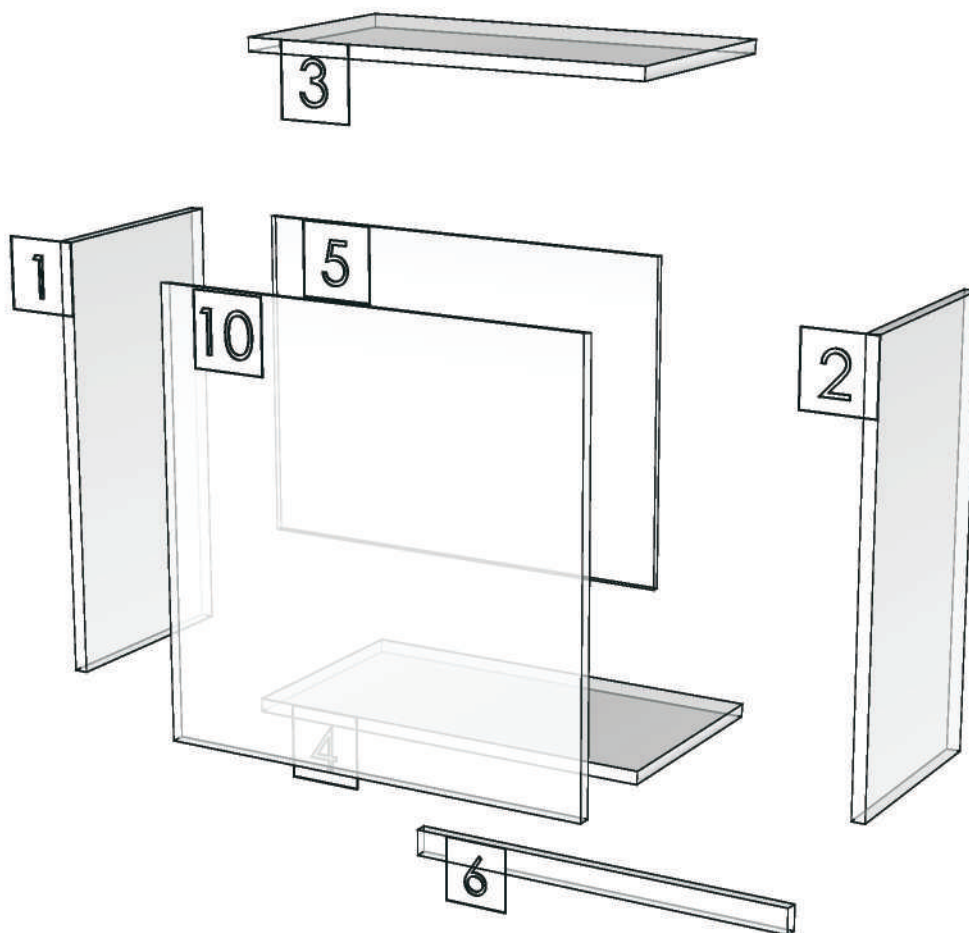


K3L-160116081

<b>R&amp;D REVIEW</b>	
<input checked="" type="checkbox"/>	DWG.Customer
<input checked="" type="checkbox"/>	Work Report
<input type="checkbox"/>	Function
<input type="checkbox"/>	สินค้าตรงตัวอย่าง
ผู้ทบทวน P.SAWAI	



Model	-ESCENT_AYY_DL60HR		
Creator	PASATHORN	.BCP Name	INDEX_C3D_KITCHEN2
Reviewer		Order	I001406
Approves		Date	15/11/2022



Model	ESCENT_AYY_DUT500		
Creator	PASATHORN	.BCP Name	INDEX_C3D_KITCHEN2
Reviewer		Order	I001401
Approves	P.SAWAI	Date	15/11/2022

## ESCENT\_AYY\_DUT500-500X60X9

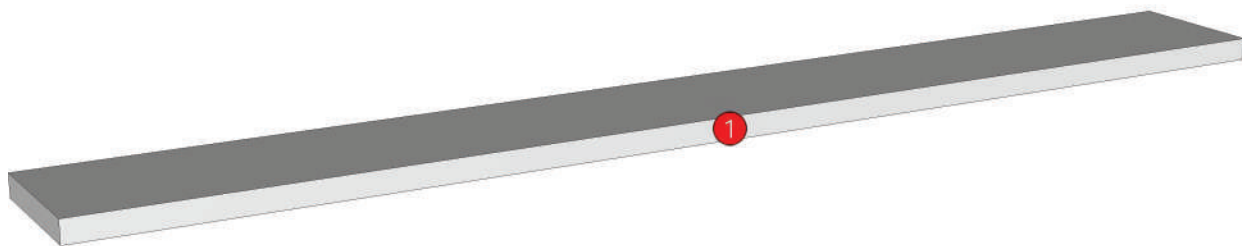
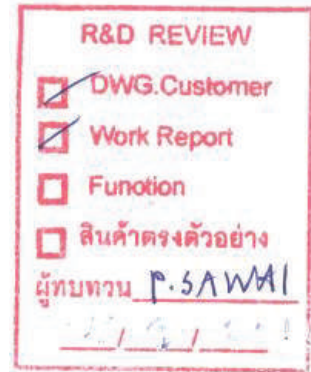
Colour  
20.24=ML AE9V (PEARL)

Edge  
01.47=1 WHITE

- K1L-160116070
- K1R-160089002
- K2L-160120135
- K2R-160089013
- K3L-160116081



- K5R-160120146



Model	ESCENT_AYY_DUT1500		
Creator	PASATHORN	.BCP Name	INDEX_C3D_KITCHEN2
Reviewer		Order	I001400
Approves	P.SAWAI	Date	15/11/2022

## ESCENT\_AYY\_DUT1500-1500X60X9

Colour  
20.24=ML AE9V (PEARL)

Edge  
01.47=1 WHITE

K1L-160116070

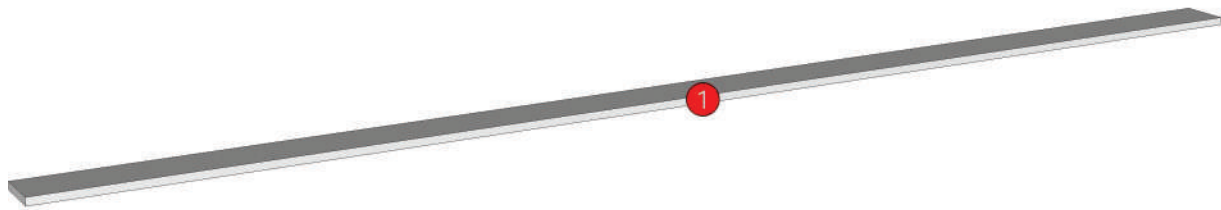
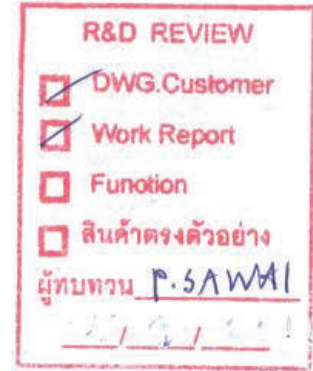
K1R-160089002

K2L-160120135

K2R-160089013



K5R-160120146



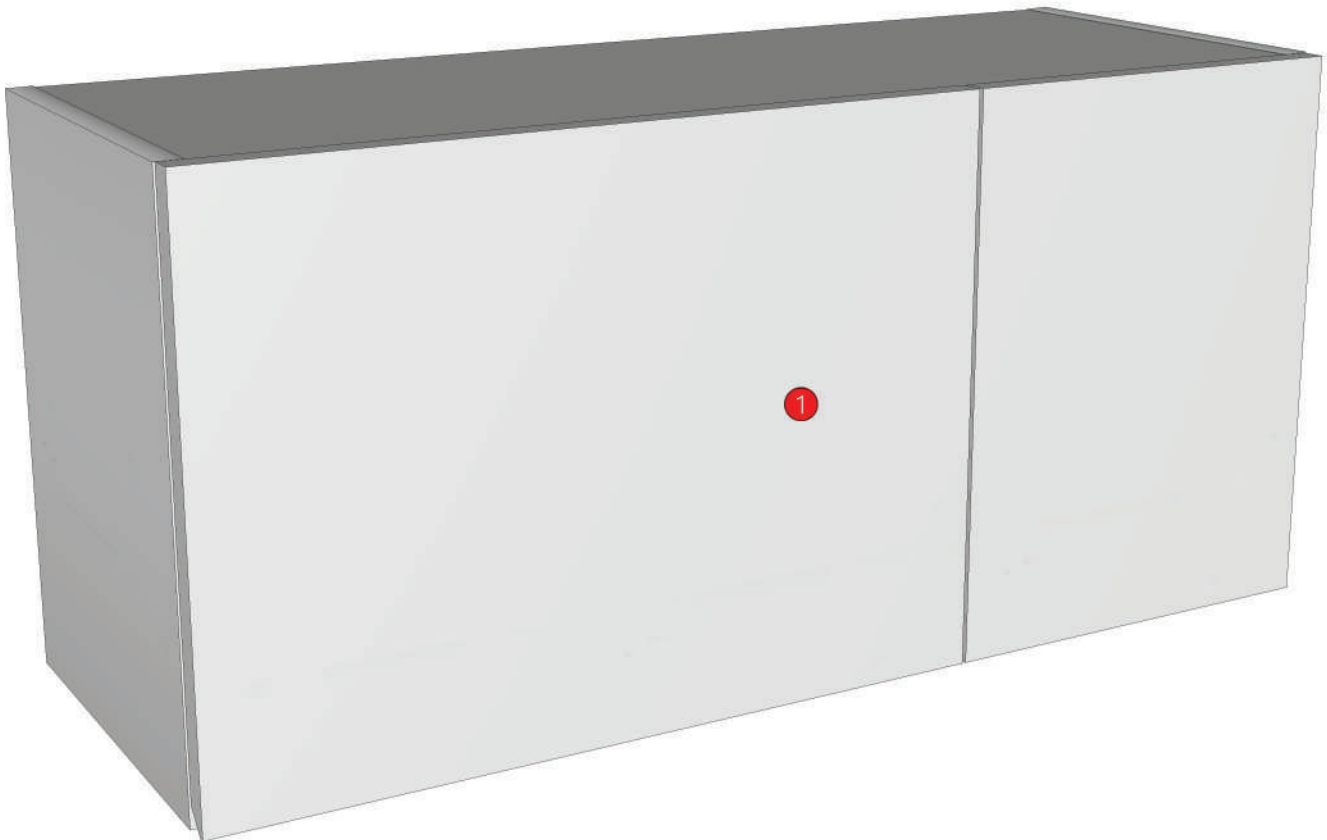
Model	ESCENT_AYY_DW85L		
Creator	PASATHORN	.BCP Name	INDEX_C3D_KITCHEN2
Reviewer		Order	I002061
Approves		Date	08/02/2023

## ESCENT\_AYY\_DW85L-850X300X400

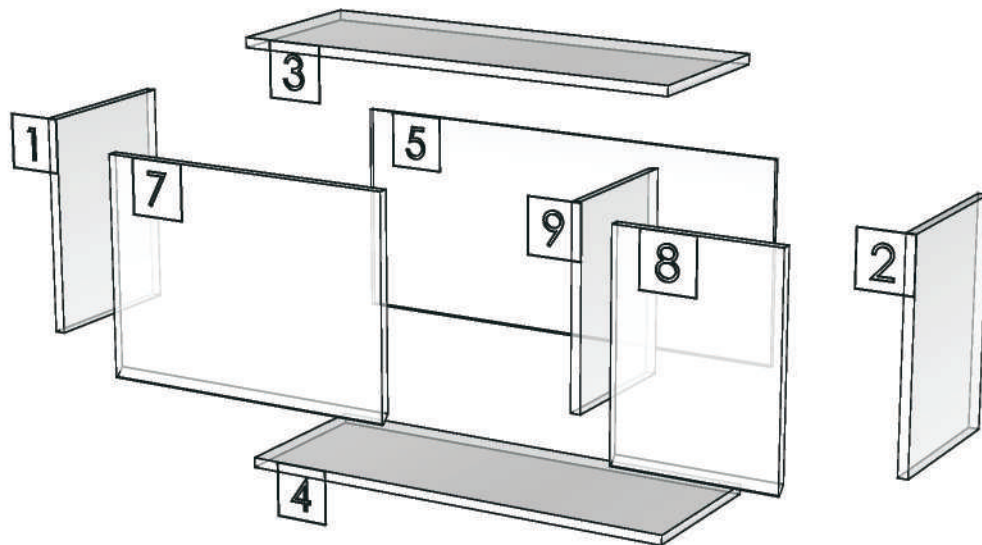
Colour  
20.24=ML AE9V (PEARL)

Edge  
01.47=1 WHITE

K2L-160120135



Model	-ESCENT_AYY_DW85L		
Creator	PASATHORN	.BCP Name	INDEX_C3D_KITCHEN2
Reviewer		Order	I002061
Approves		Date	08/02/2023



Model	ESCENT_AYY_DWO85		
Creator	PASATHORN	.BCP Name	INDEX_C3D_KITCHEN2
Reviewer		Order	I001416
Approves	P-SAWAI	Date	16/11/2022

## ESCENT\_AYY\_DWO85-850X300X240

Colour  
20.10=ML.CORNWALL OAK # AV7 (WOODRIFT)

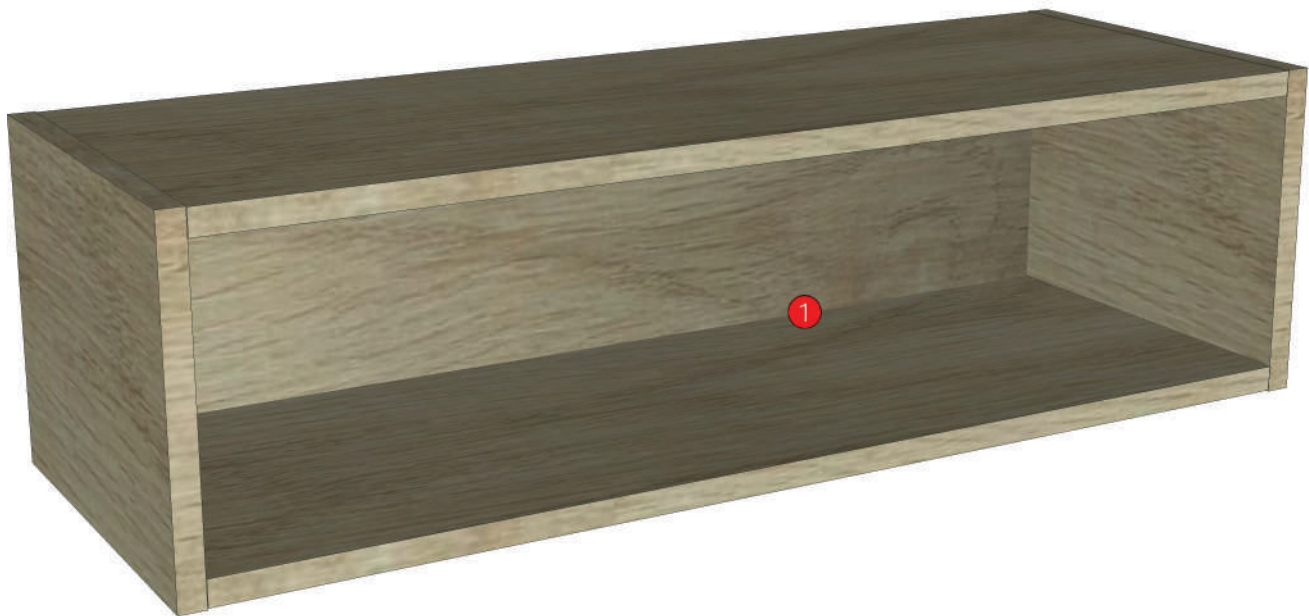
Edge  
01.160=1 CORNWALL OAK AV7

<b>R&amp;D REVIEW</b>	
<input checked="" type="checkbox"/>	DWG.Customer
<input checked="" type="checkbox"/>	Work Report
<input type="checkbox"/>	Function
<input type="checkbox"/>	สินค้าตรงตัวอย่าง
ผู้ทบทวน P-SAWAI	
16/11/2022	

K2L-160120135  
K2R-160089013



K5R-160120146



Model	-ESCENT_AYY_DW085		
Creator	PASATHORN	.BCP Name	INDEX_C3D_KITCHEN2
Reviewer		Order	I001416
Approves		Date	16/11/2022

