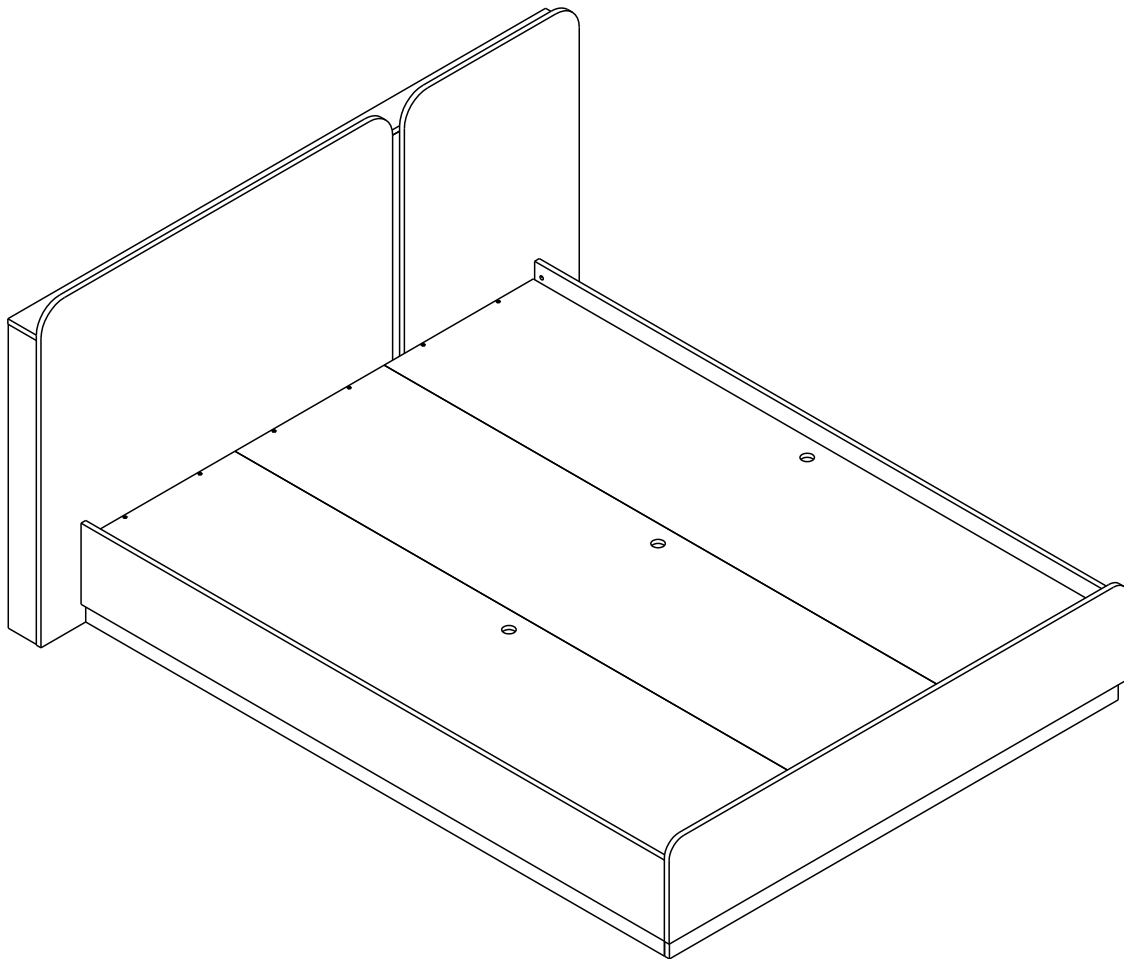


OITA

BED 5 ft.

BED 6 ft.



CONNECT SYSTEM

1

3

2

(Connecting bolts)

WHEN FITTING CAMS
 ENSURE STARTING POSITION IS CORRECT
 BEFORE YOU INSERT CONNECTING BOLT
 TURN CLOCKWISE UNTIL SECURE

✓				✗
↑				
CORRECT		WRONG		

M4x16mm.

i

40mm.

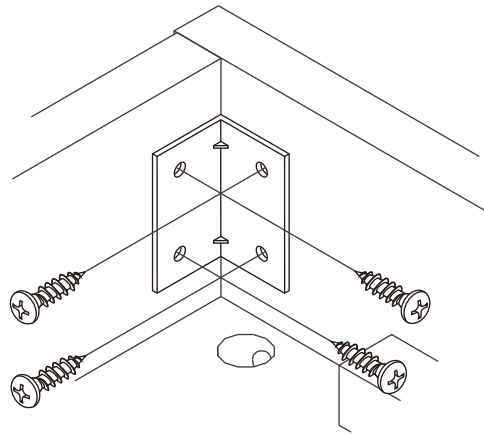
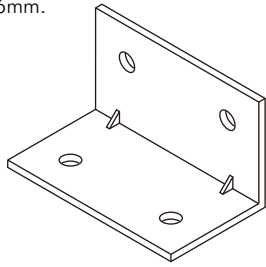
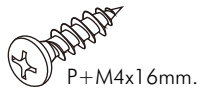
EQ

M6x45mm.

M6

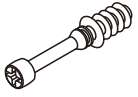
M6

M4x16mm.



HARDWARE

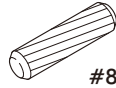
-BODY SET



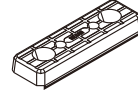
x 4



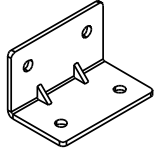
x 4



#8x35
x 4



x 9



x 8



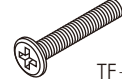
No.1
x 3



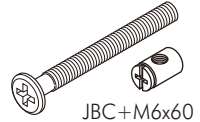
#M6
x 4



#M6
x 4



TF+M6x45
x 4



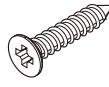
JBC+M6x60
x 6



M4x16mm.
x 43



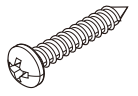
M4x16mm.
x 18



M4x25mm.
x 23



M4x30mm.
x 12

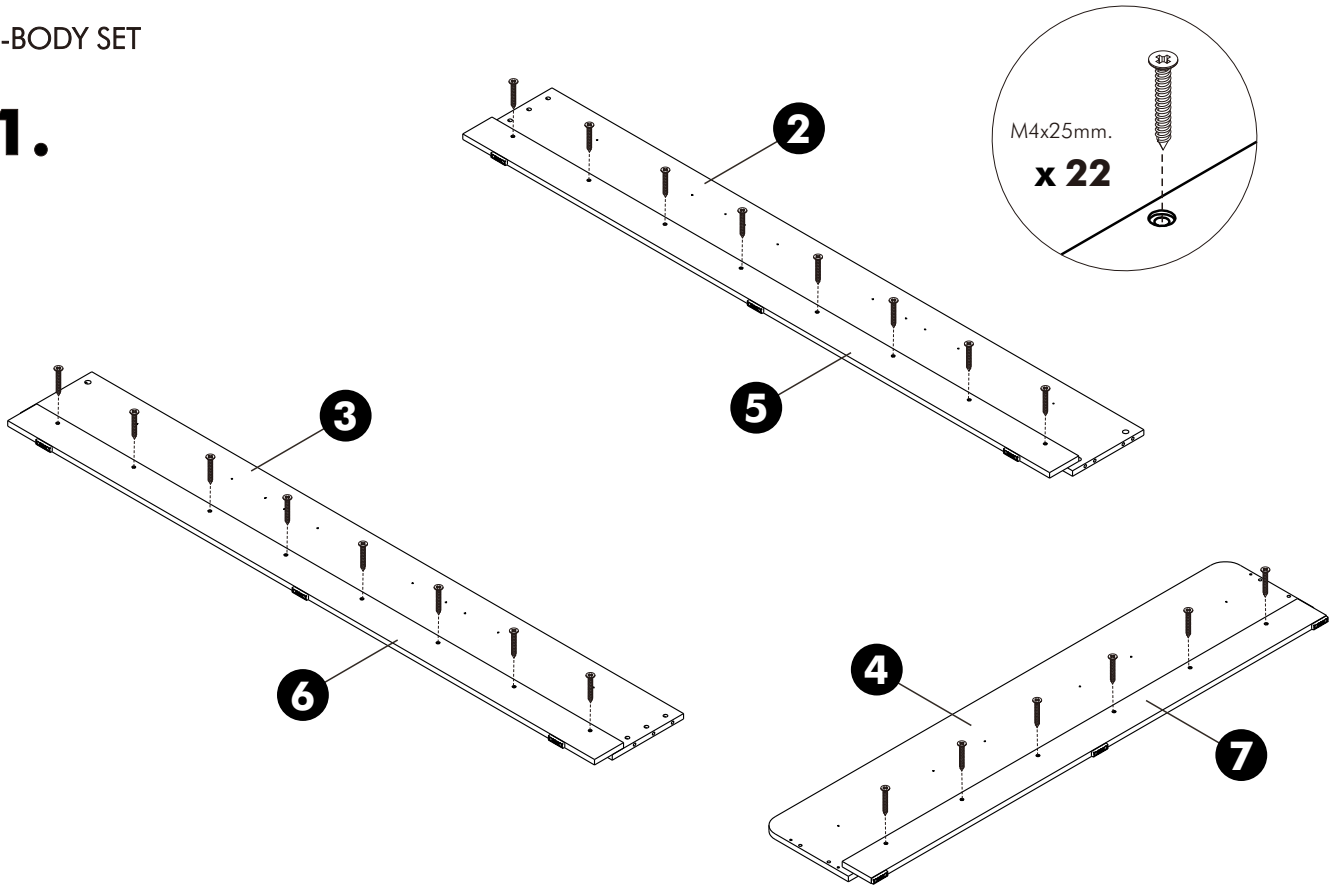


M4x30mm.
x 36

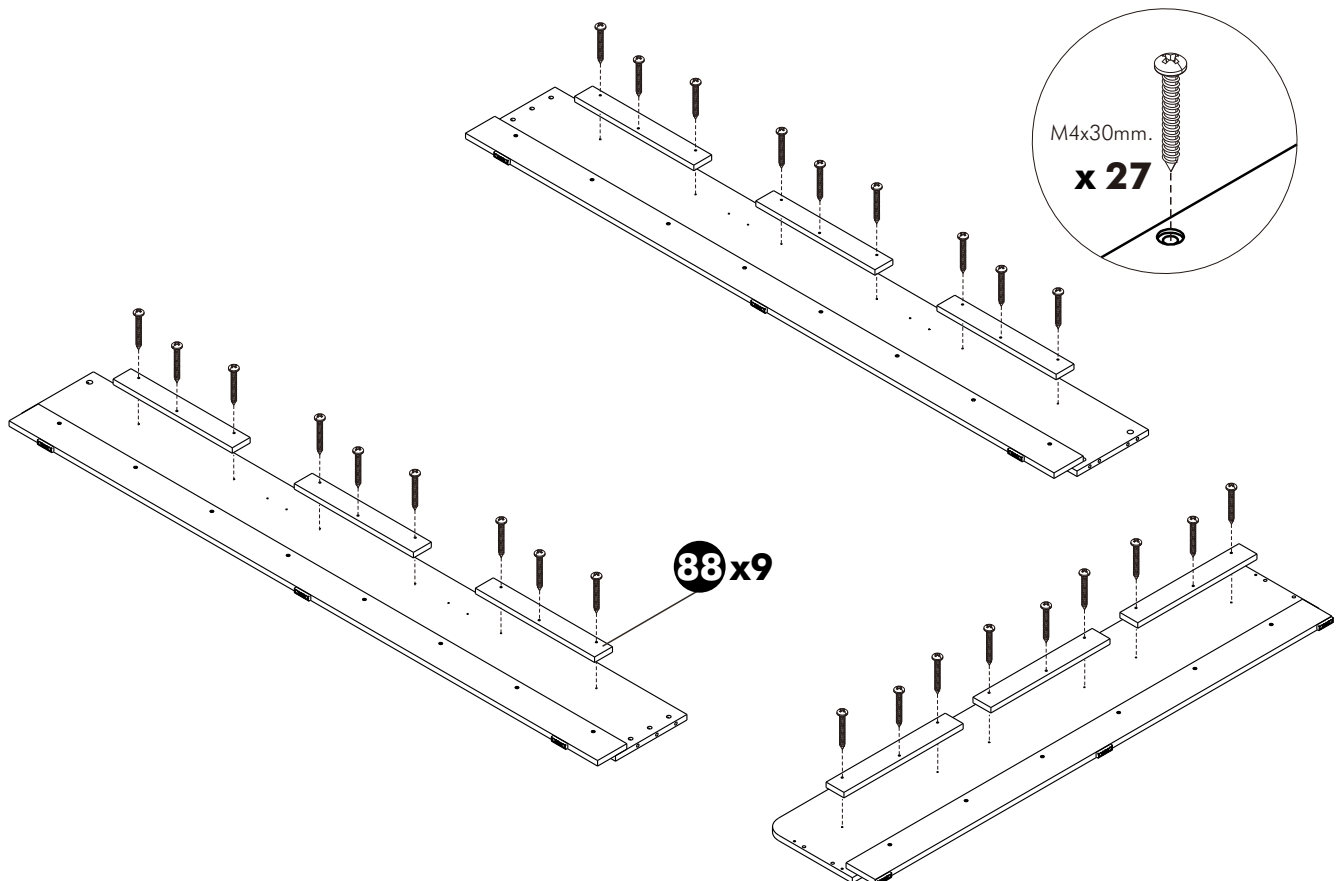
ASSEMBLY

-BODY SET

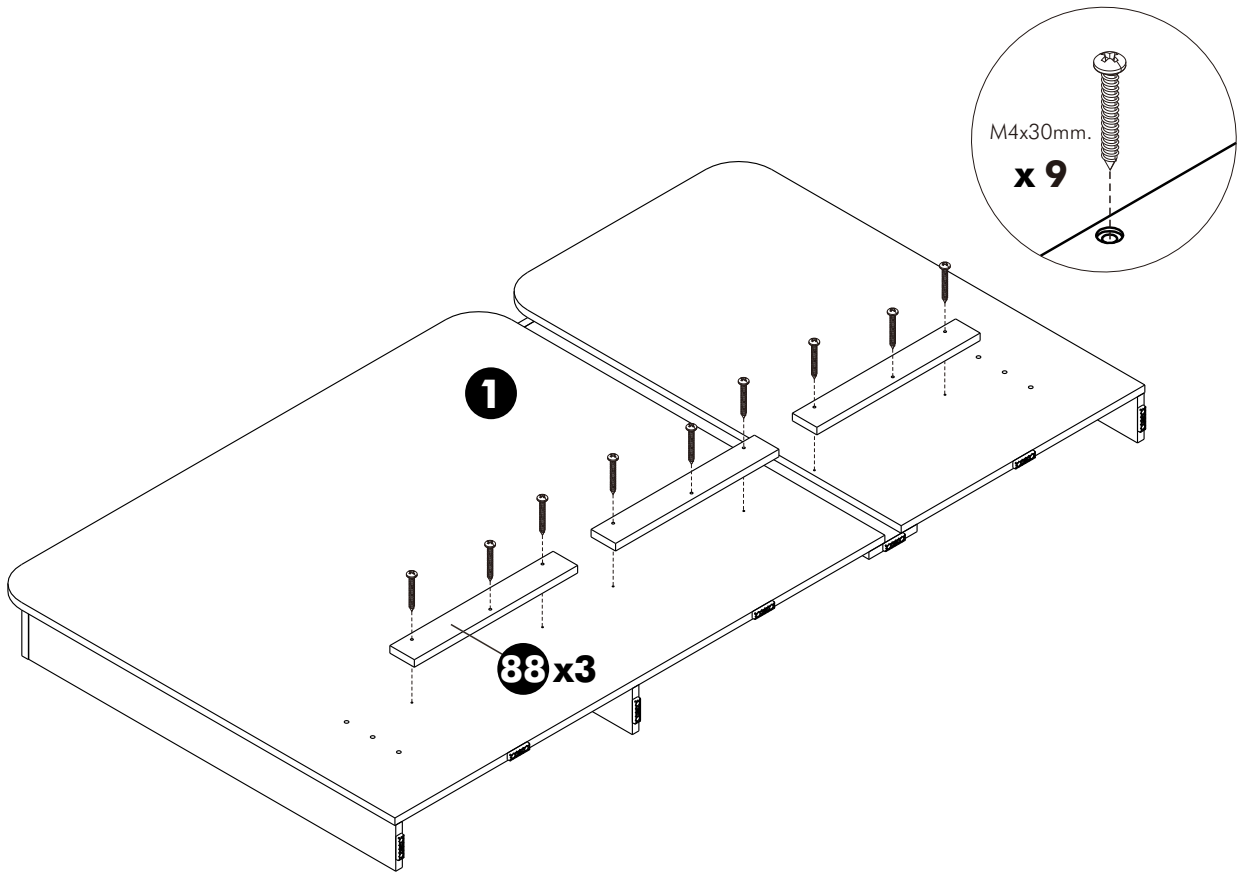
1.



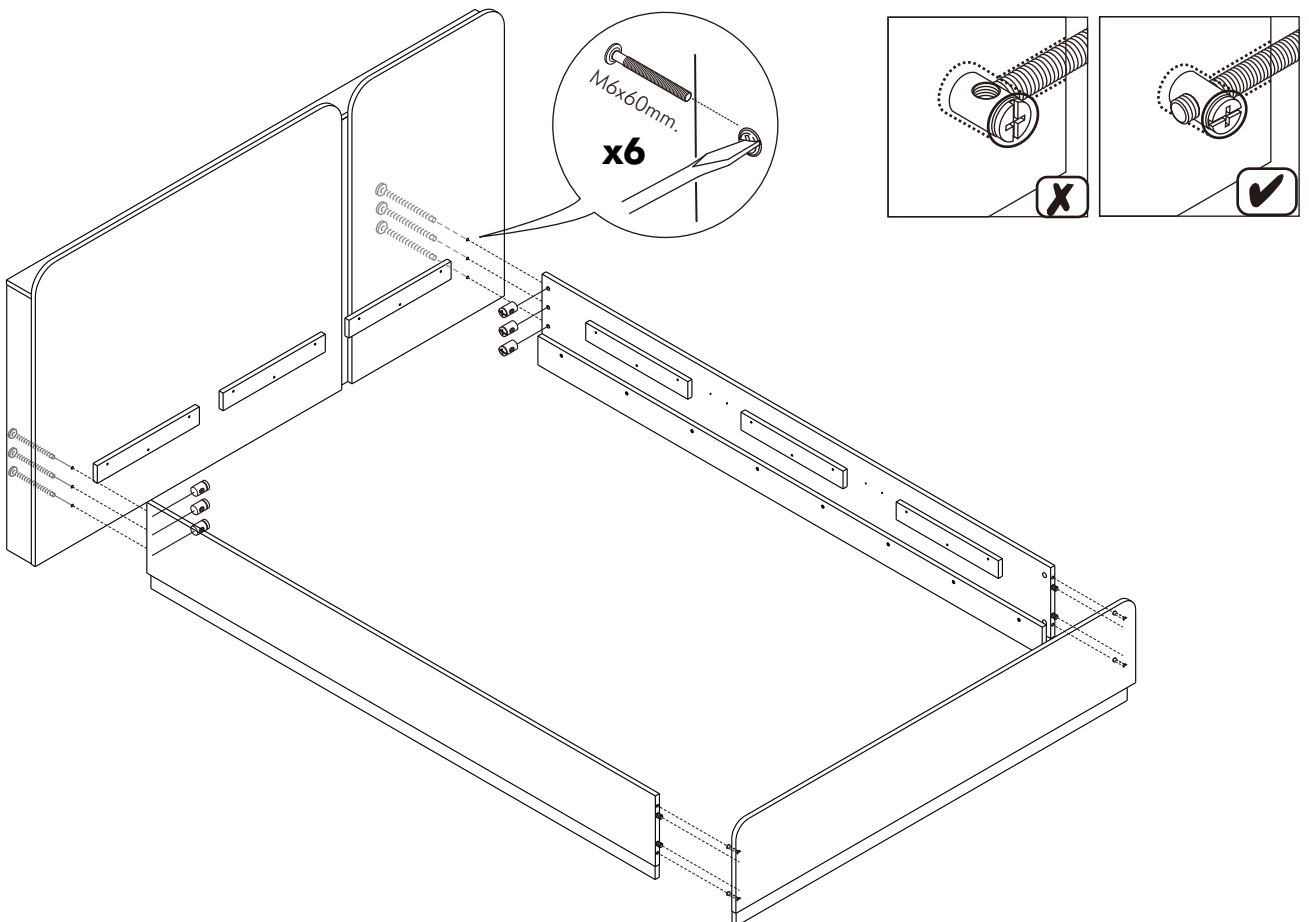
2.



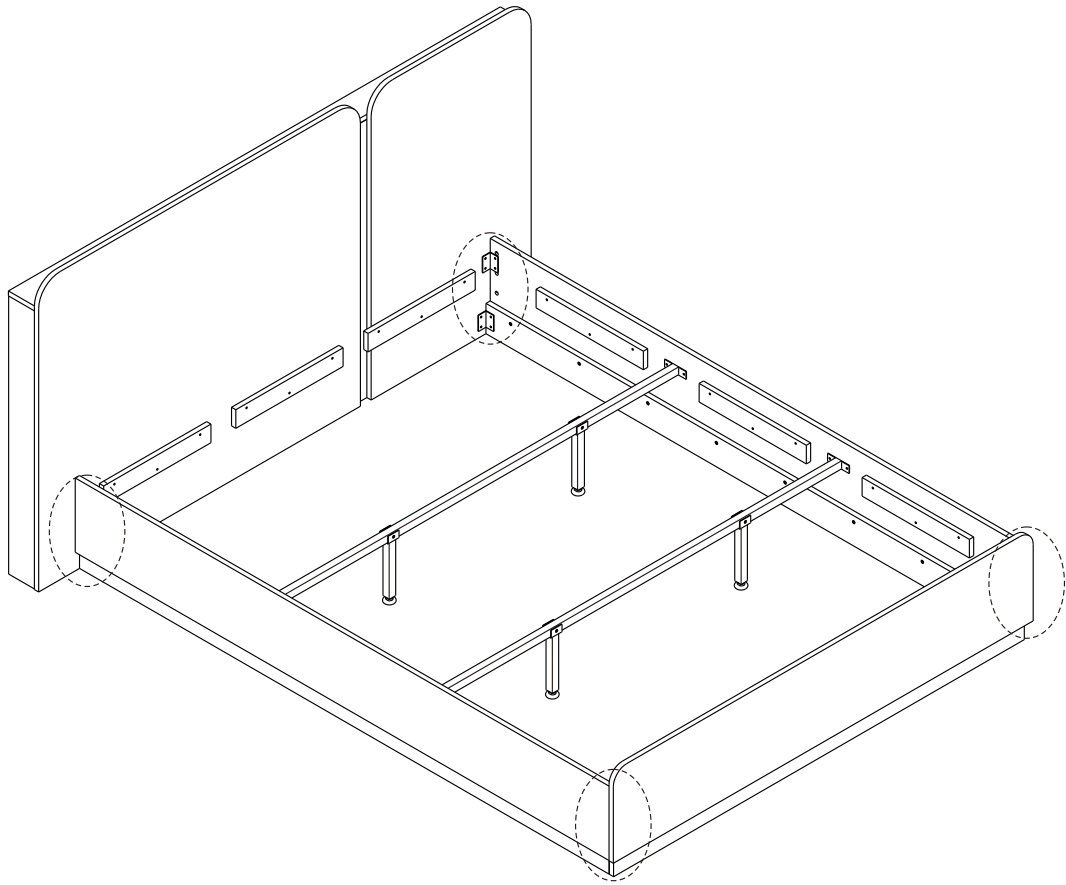
3.



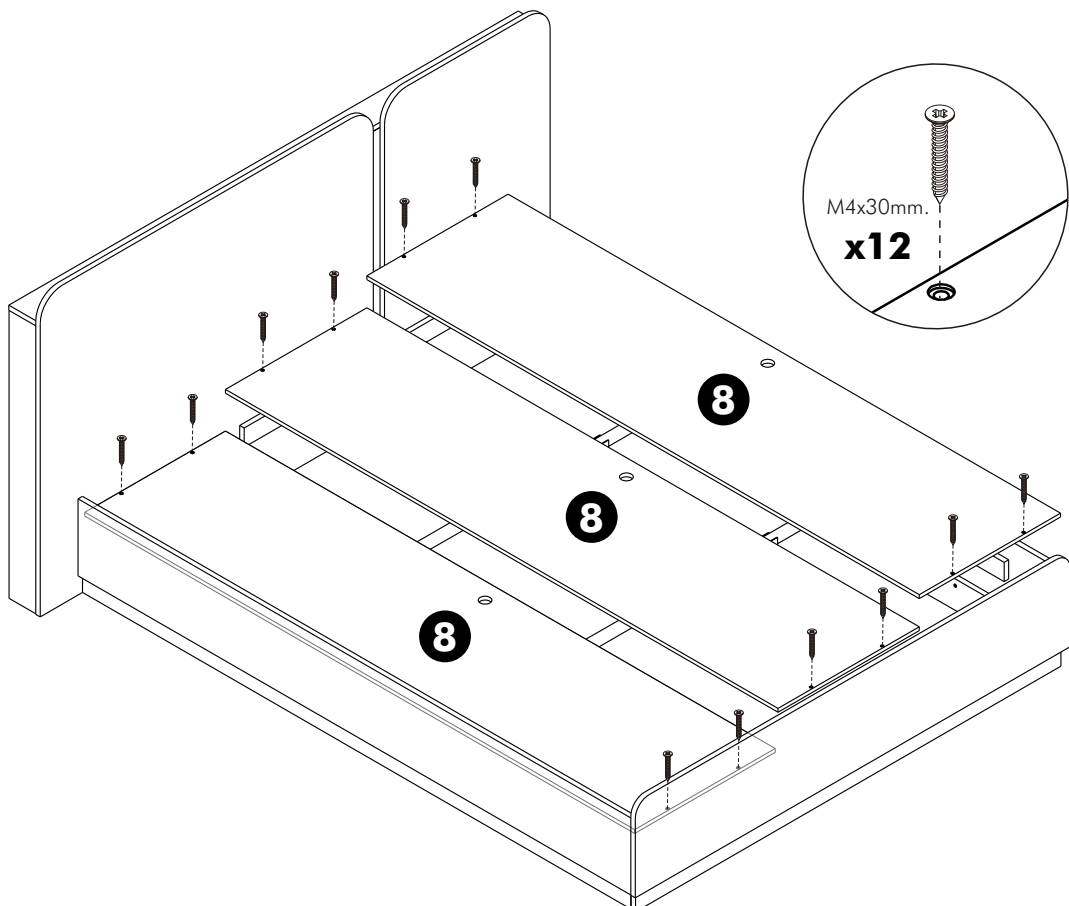
4.



5.



6.



7.

