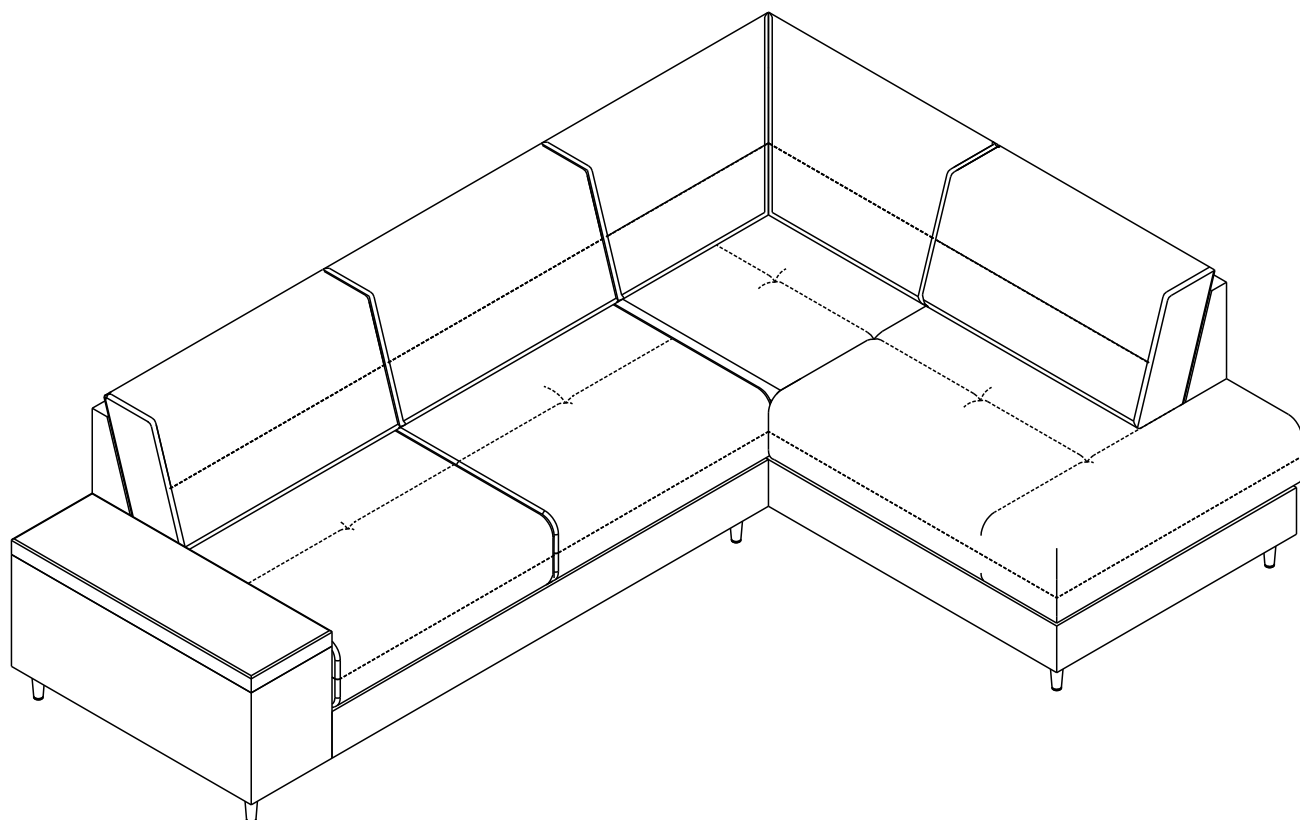


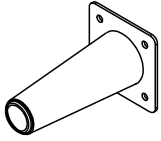
# OPERA

**PU Corner/L PET D**

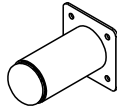


# HARDWARE

-BODY SET



**x 8**



**x 2**

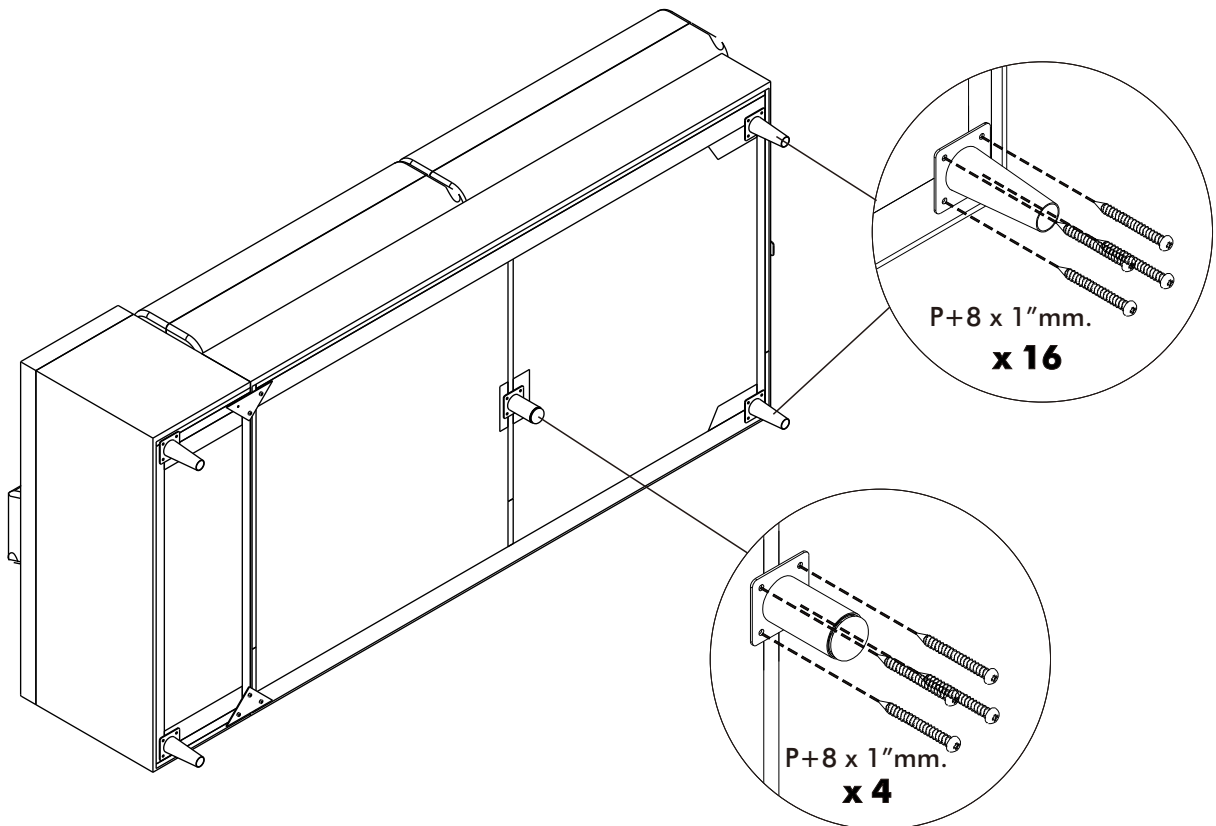


P+8 x 1"mm.

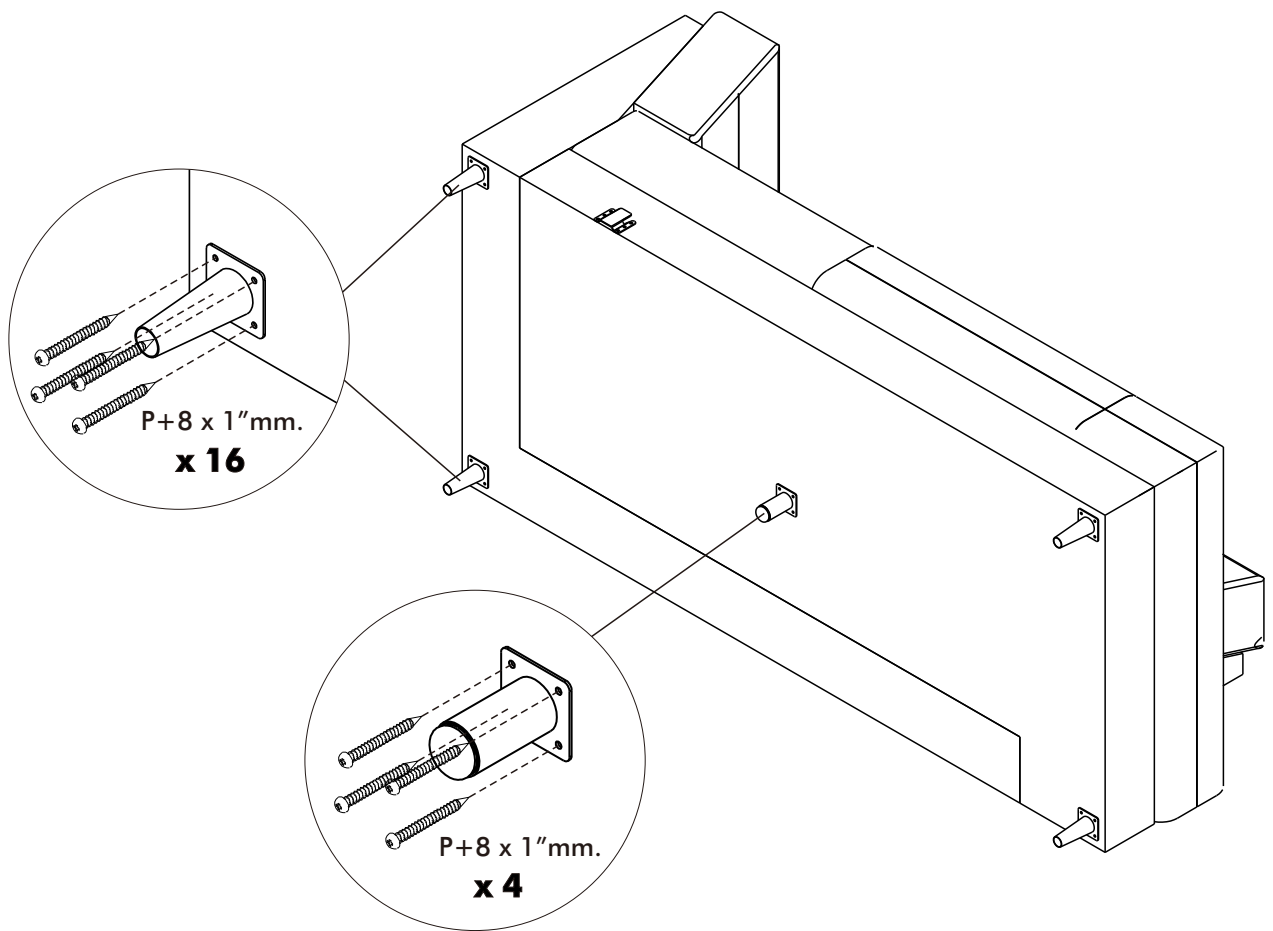
**x 40**

**1.**

## ASSEMBLY



**2.**



**3.**

