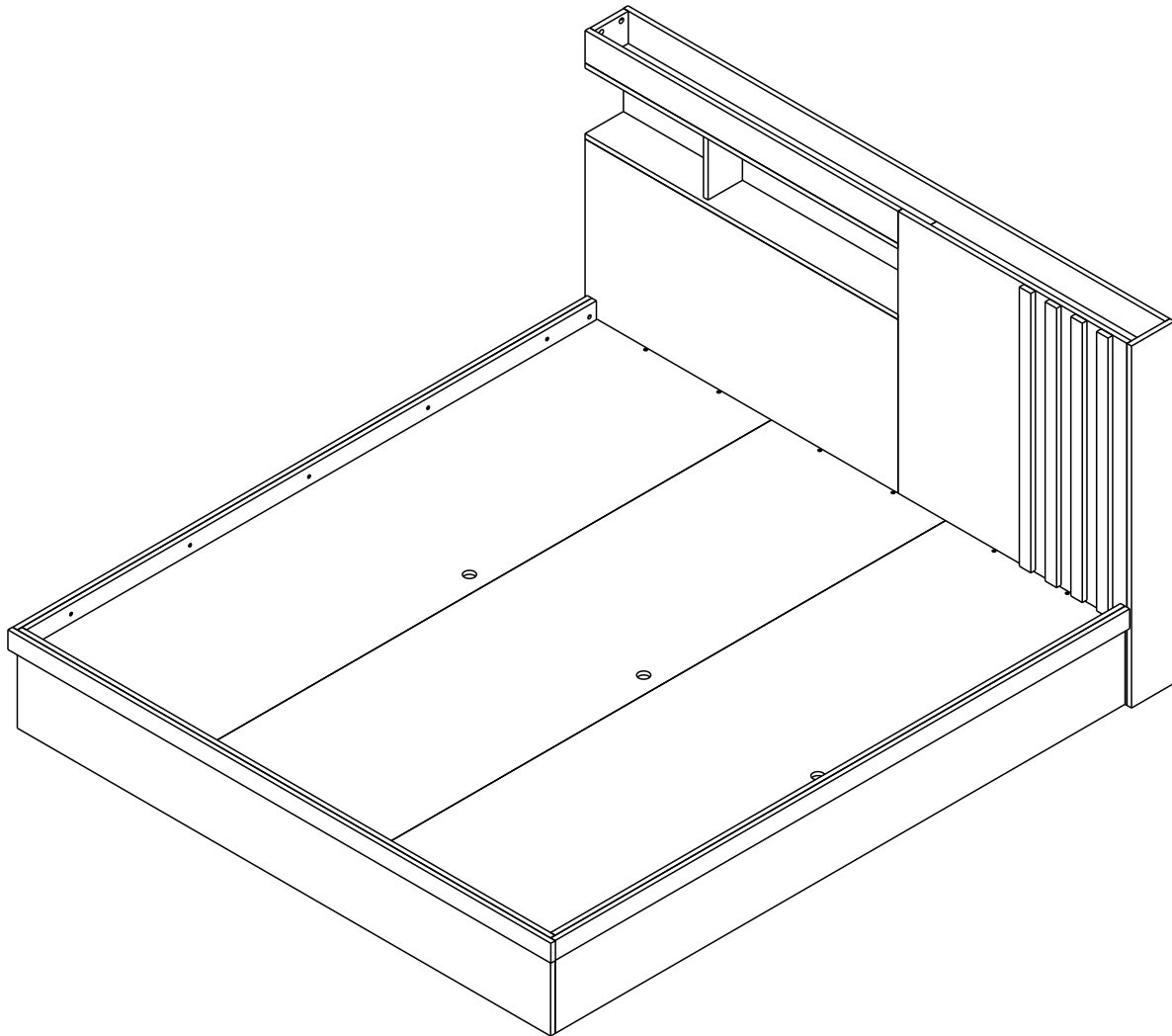


NAPLES

BED 6 ft.



CONNECT SYSTEM

1

3

2

(Connecting bolts)

WHEN FITTING CAMS
 ENSURE STARTING POSITION IS CORRECT
 BEFORE YOU INSERT CONNECTING BOLT
 TURN CLOCKWISE UNTIL SECURE

✓				✗
	↑ CORRECT	WRONG		

M4x16mm.

i

40mm.

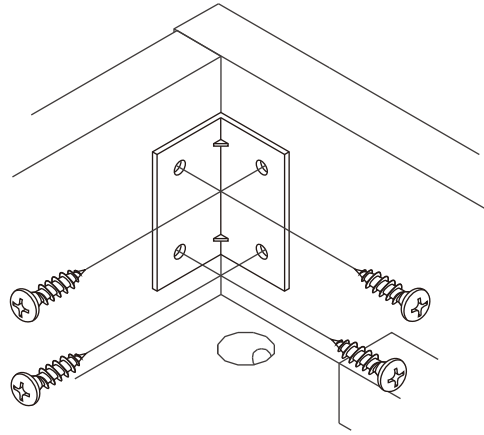
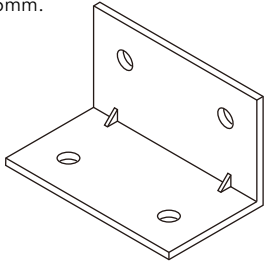
EQ

M6x45mm.

M6

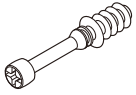
M6

M4x16mm.



HARDWARE

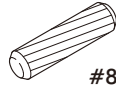
-BODY SET



x 22



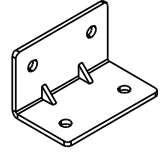
x 22



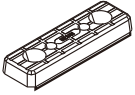
#8x35
x 39



M4x16mm.
x 43



x 8



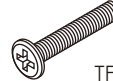
x 15



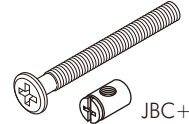
#M6
x 4



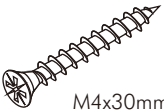
#M6
x 4



TF+M6x45
x 4



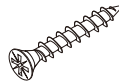
JBC+M6x60
x 4



M4x30mm.
x 48



M4x16mm.
x 30



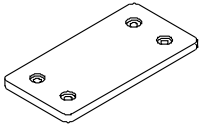
M4x25mm.
x 31



M4x13mm.
x 32



M4x50mm.
x 19



x 4



x 8



No.1
x 3



x 4

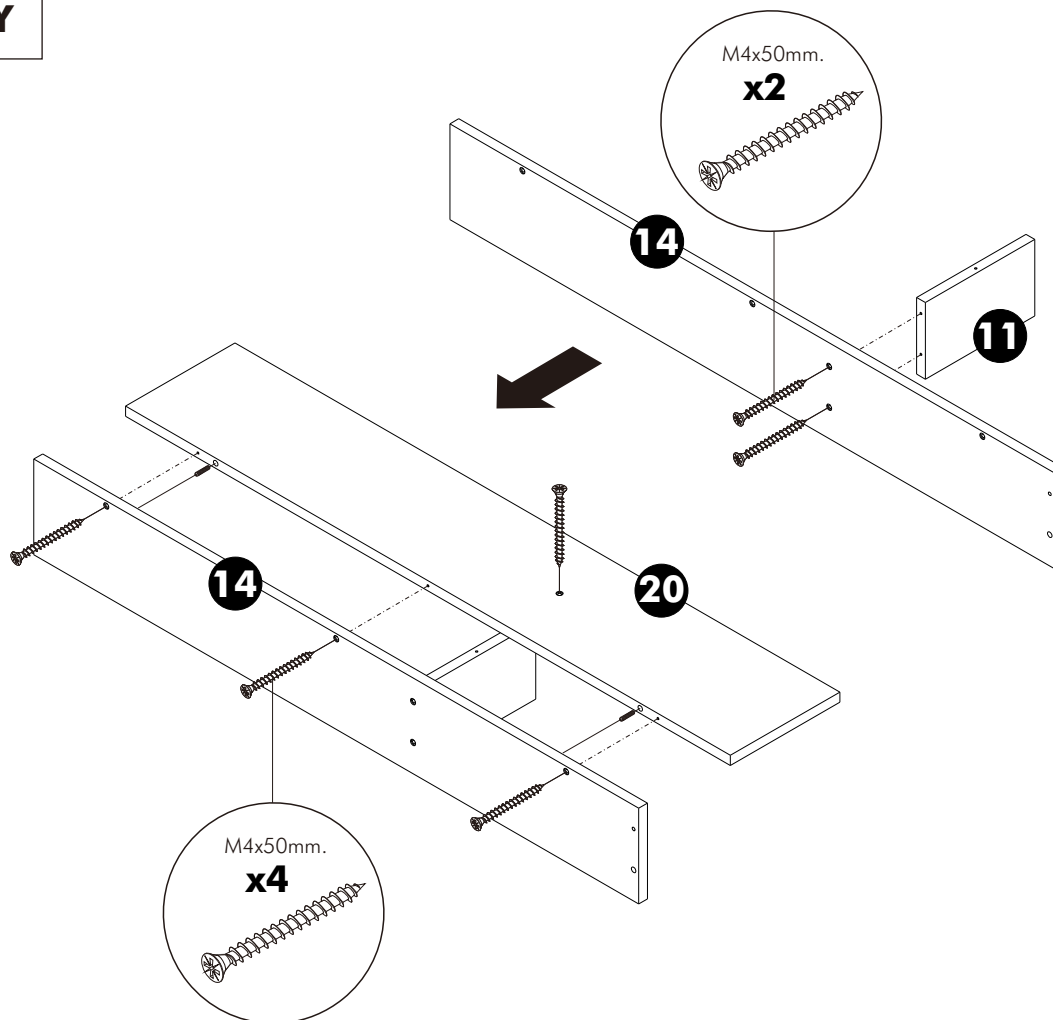


11mm.
x 4

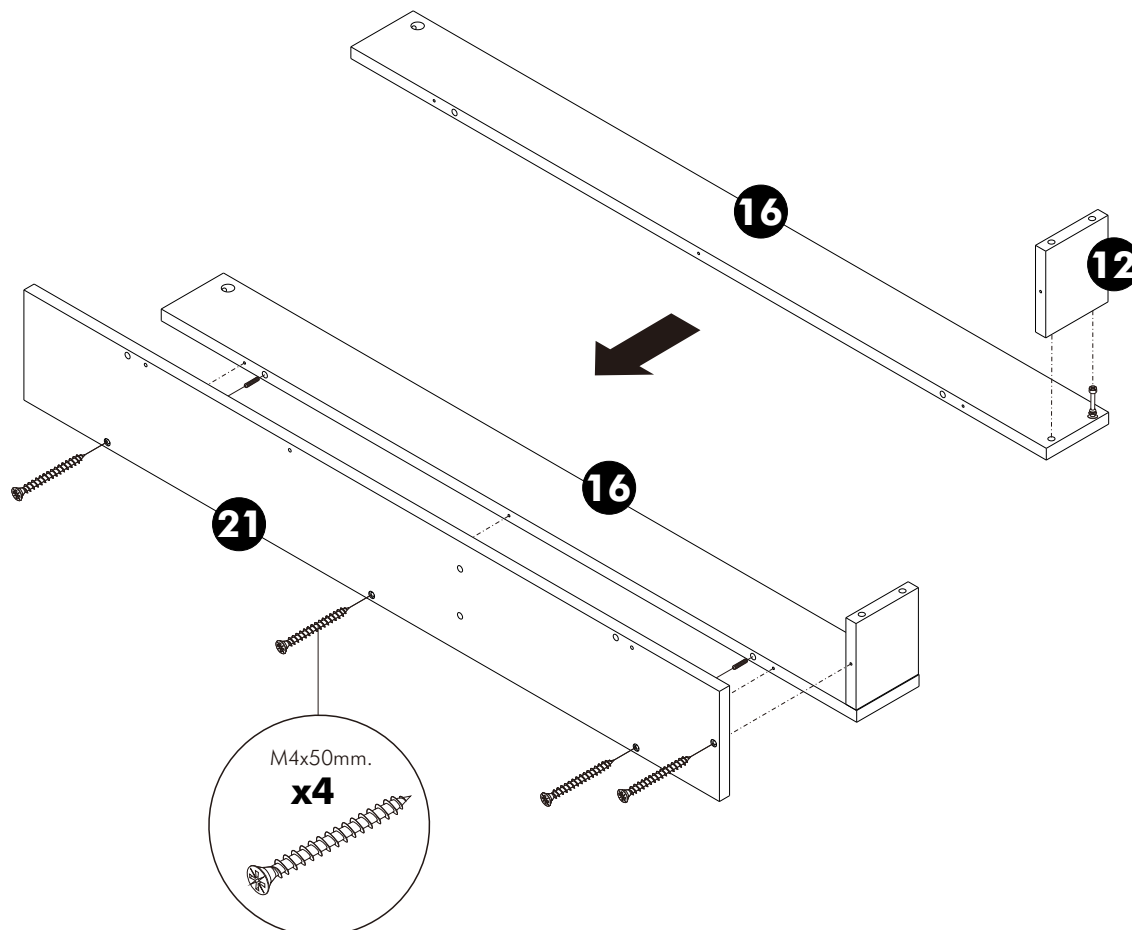
ASSEMBLY

-BODY SET

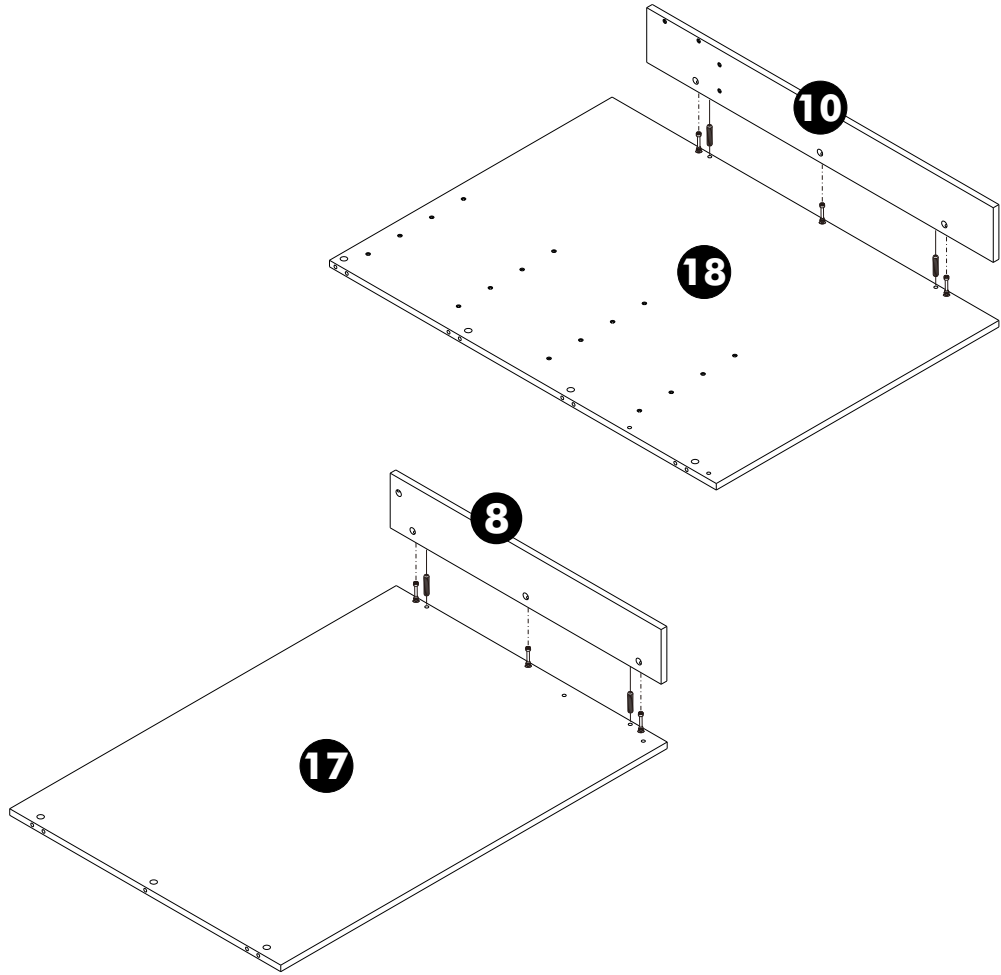
1.



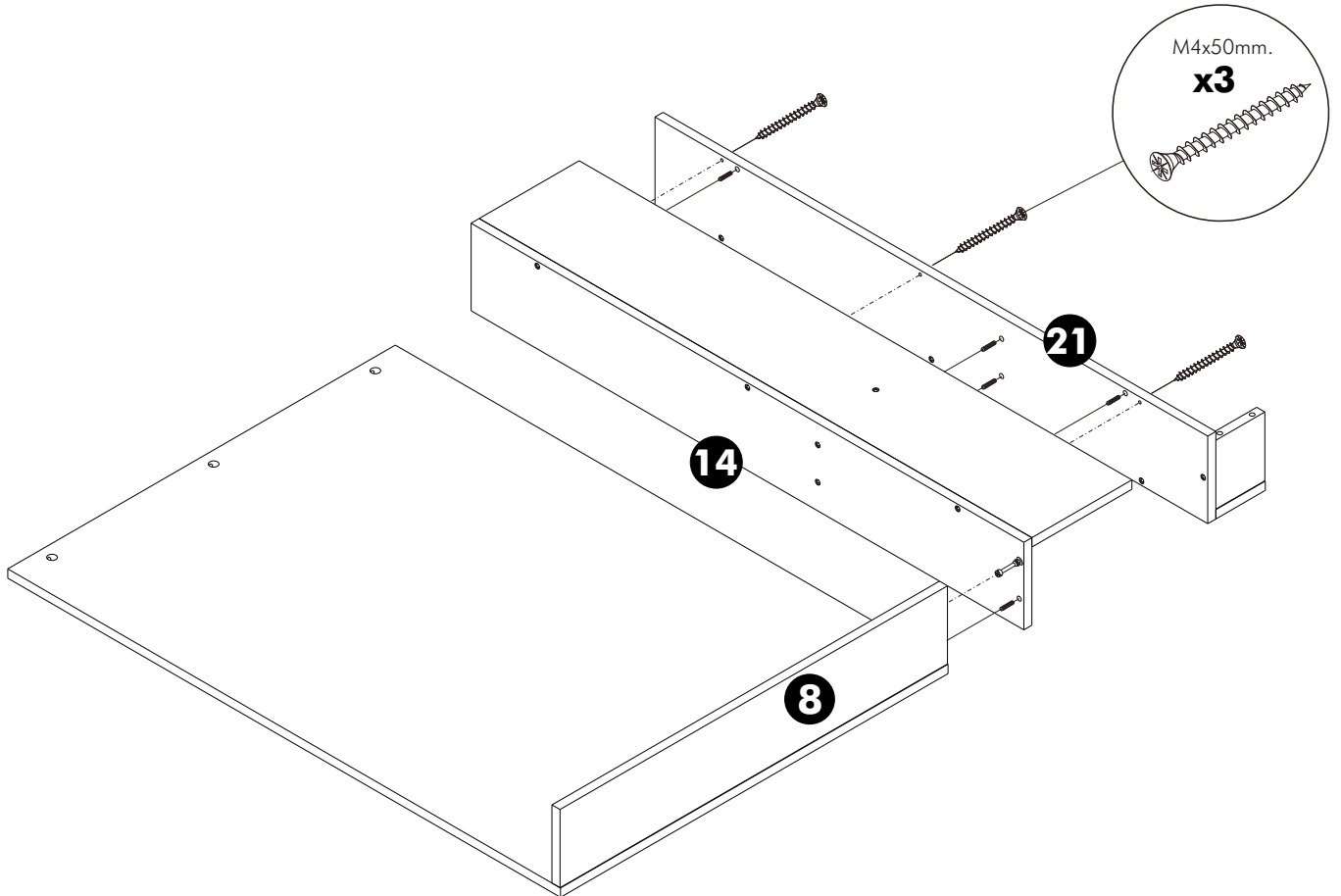
2.



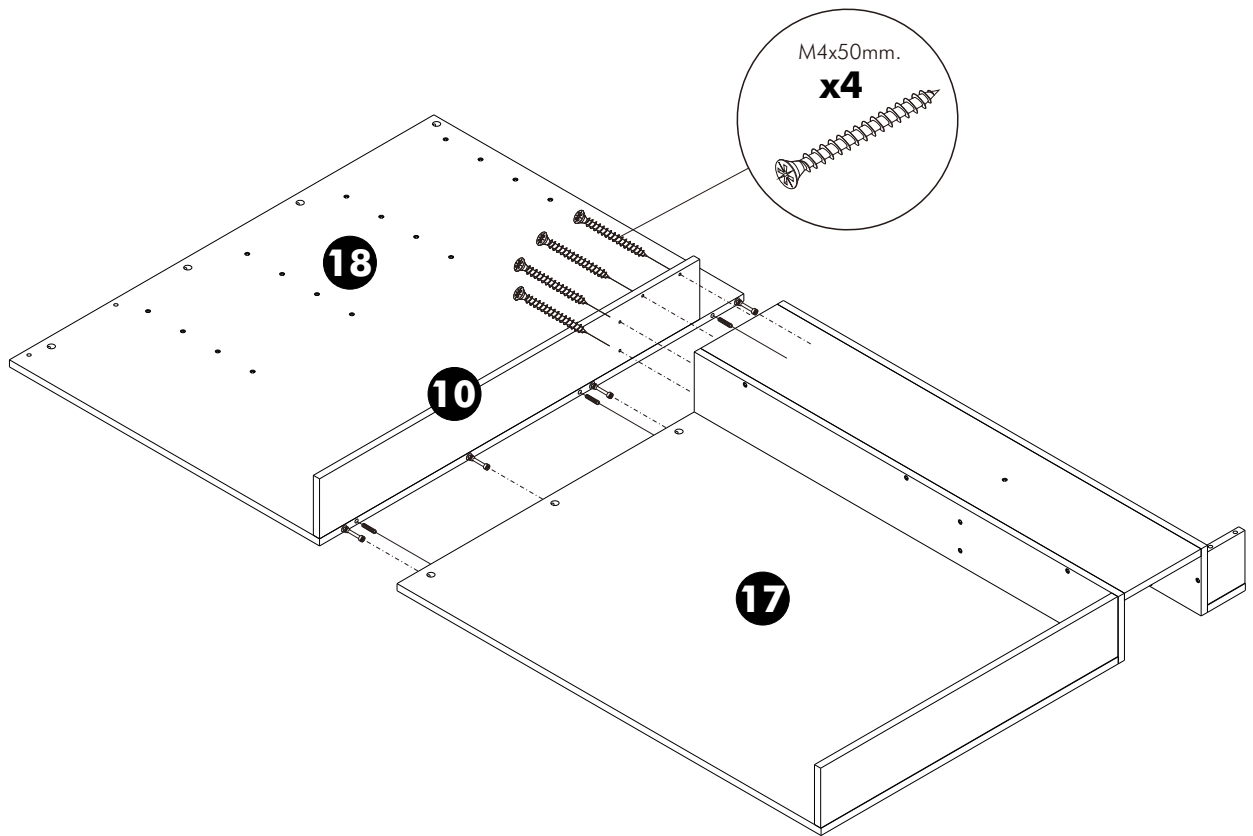
3.



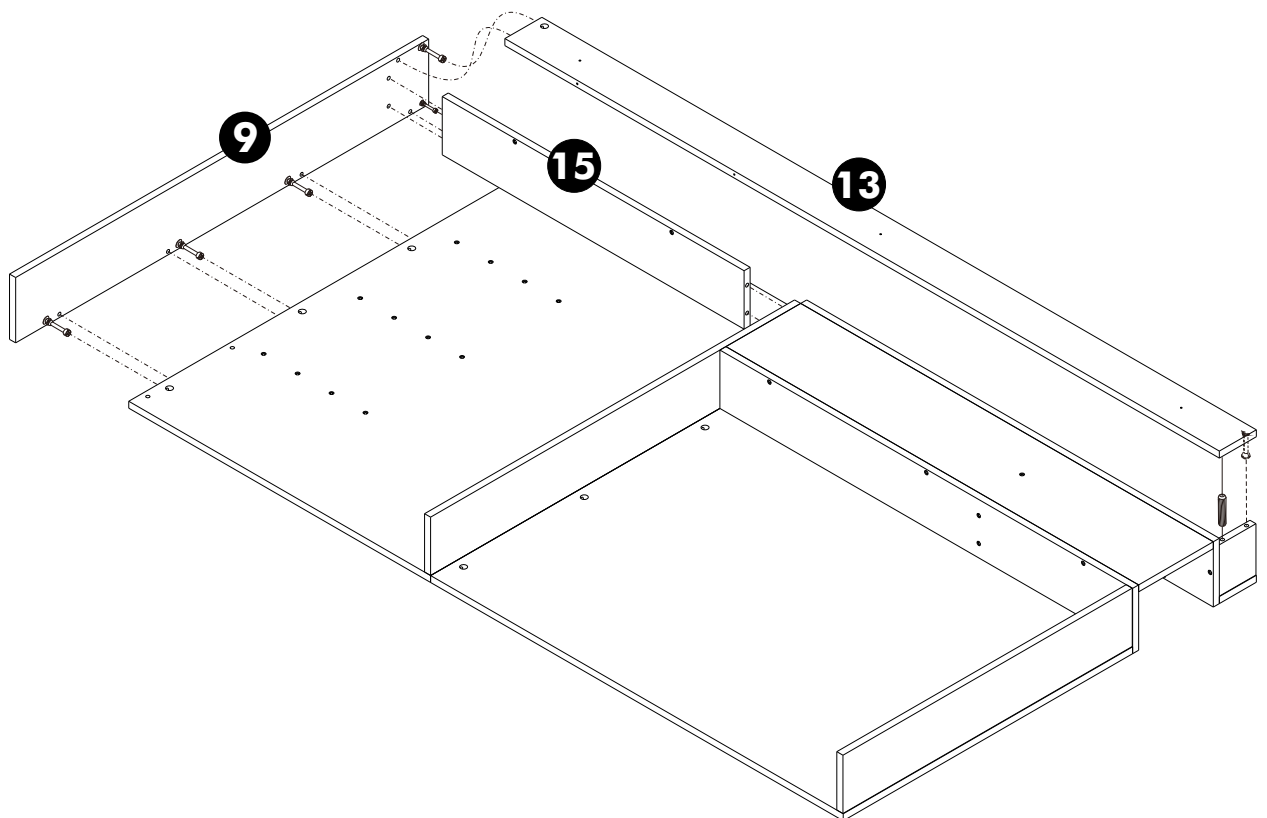
4.



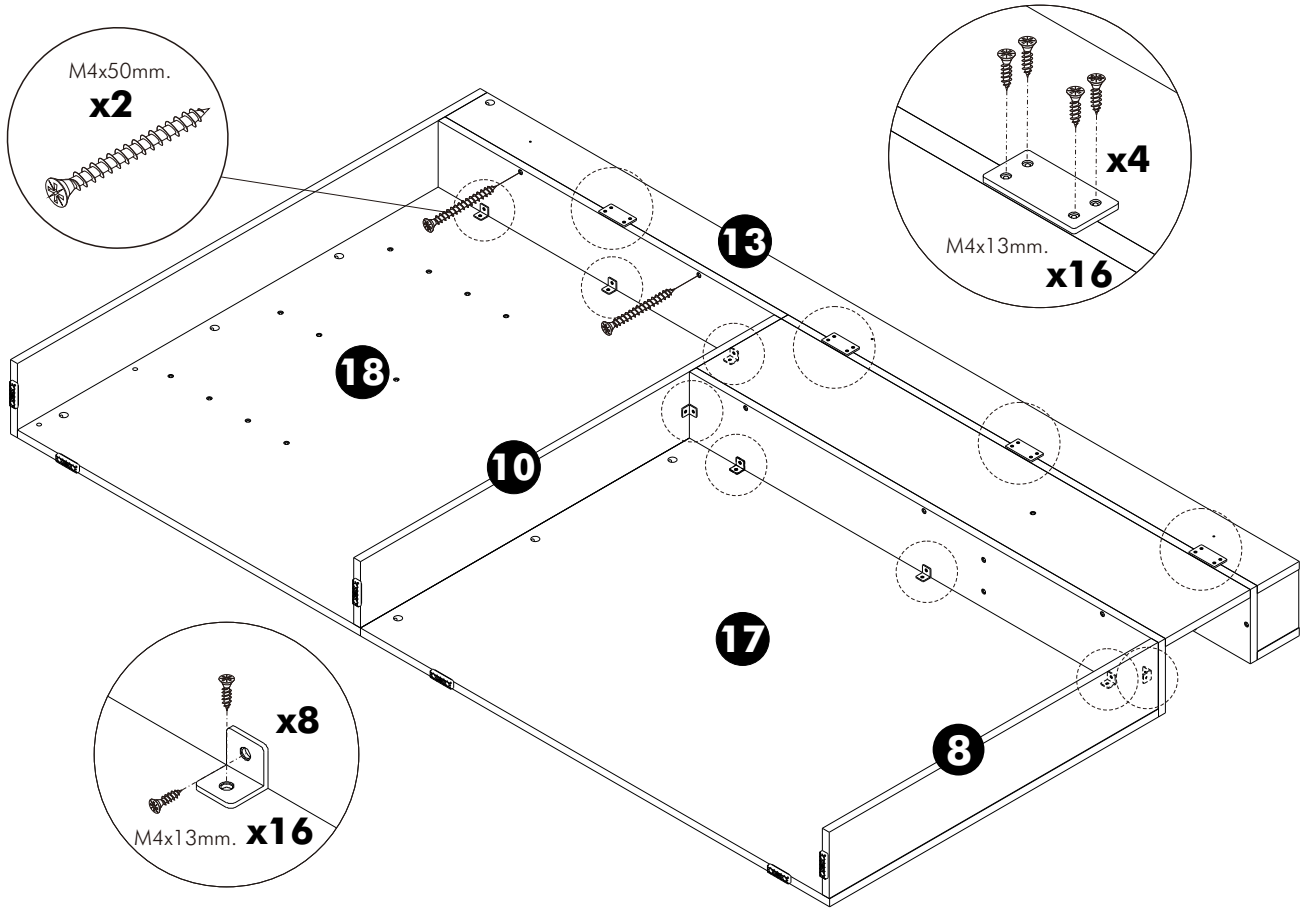
5.



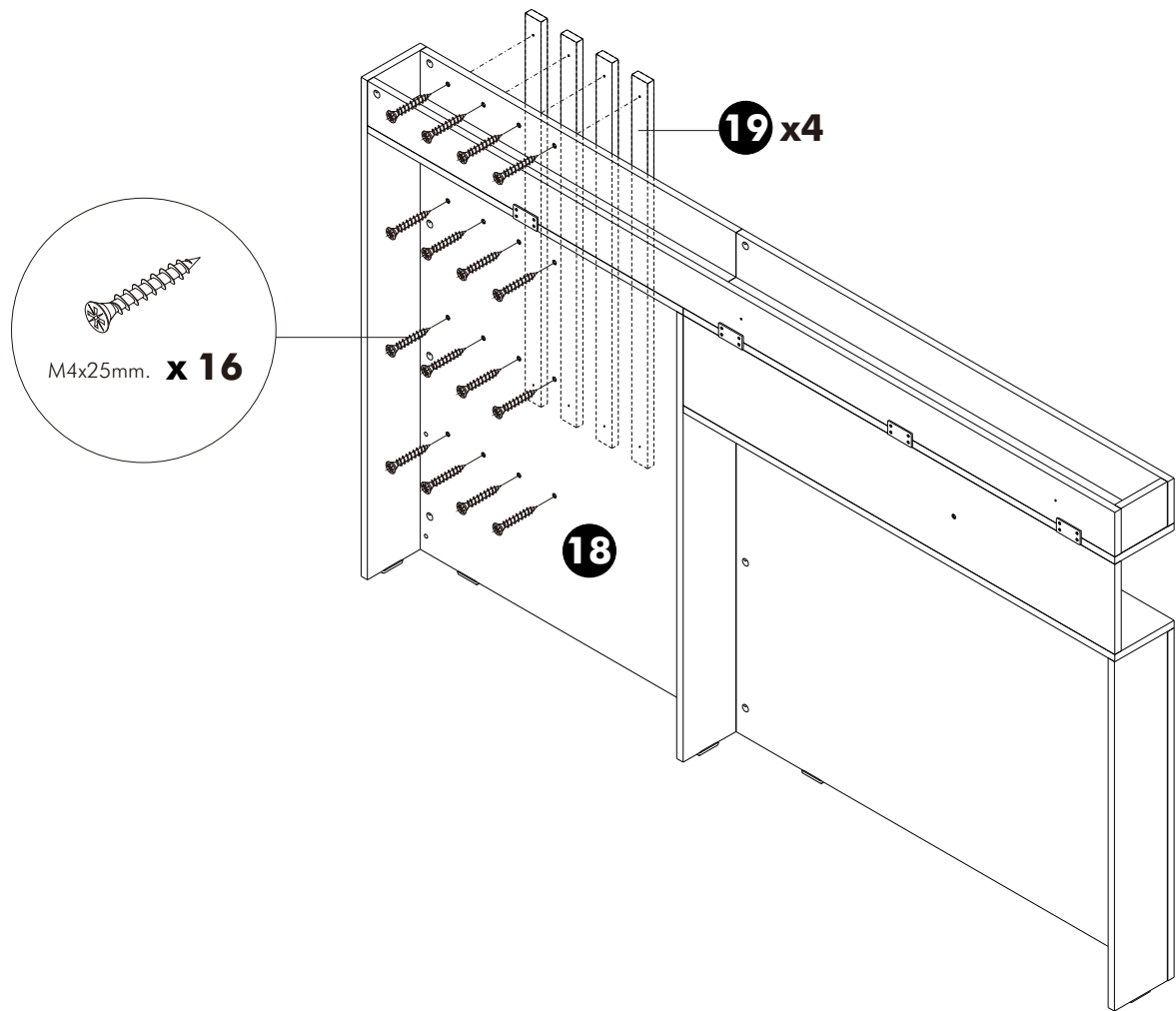
6.



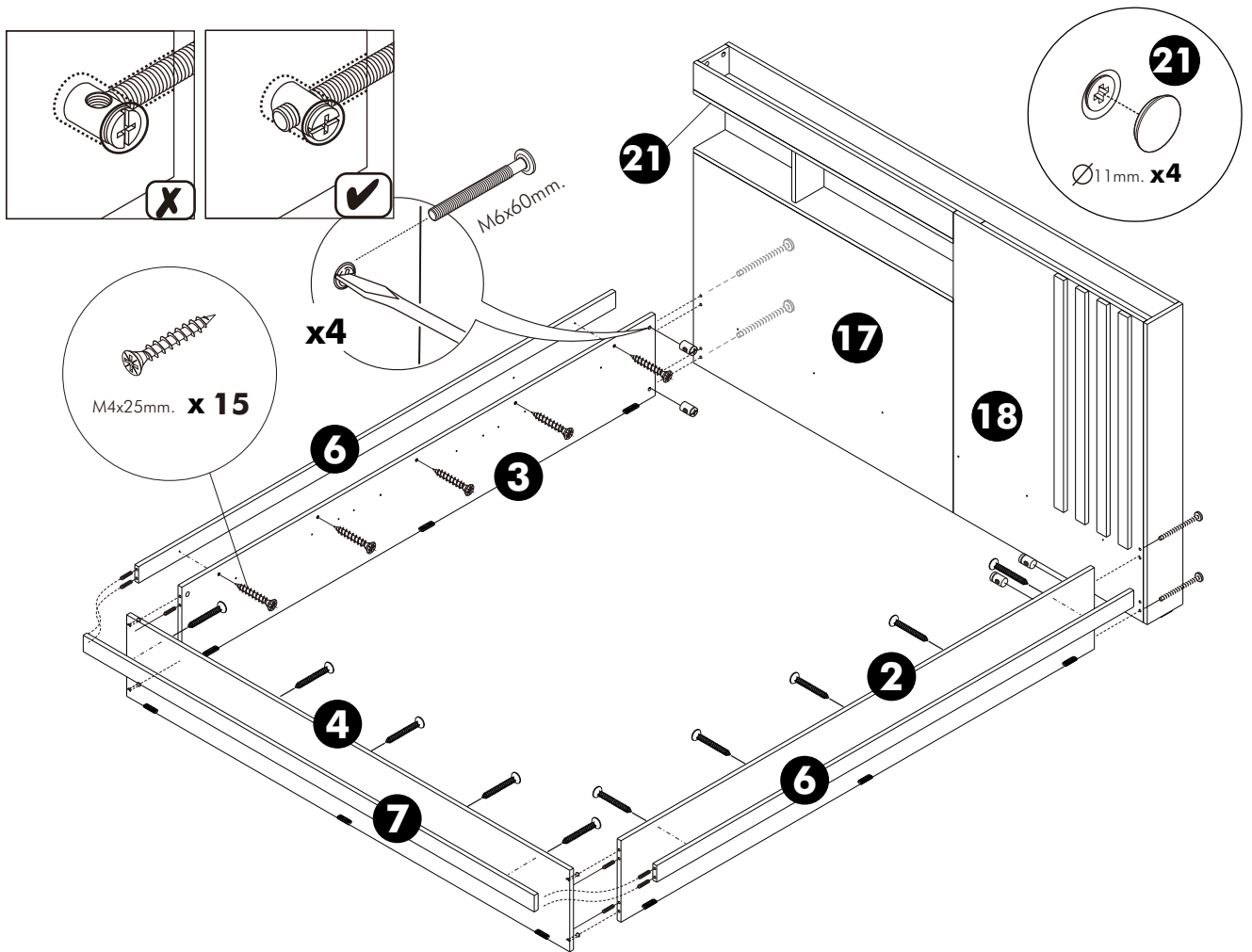
7.



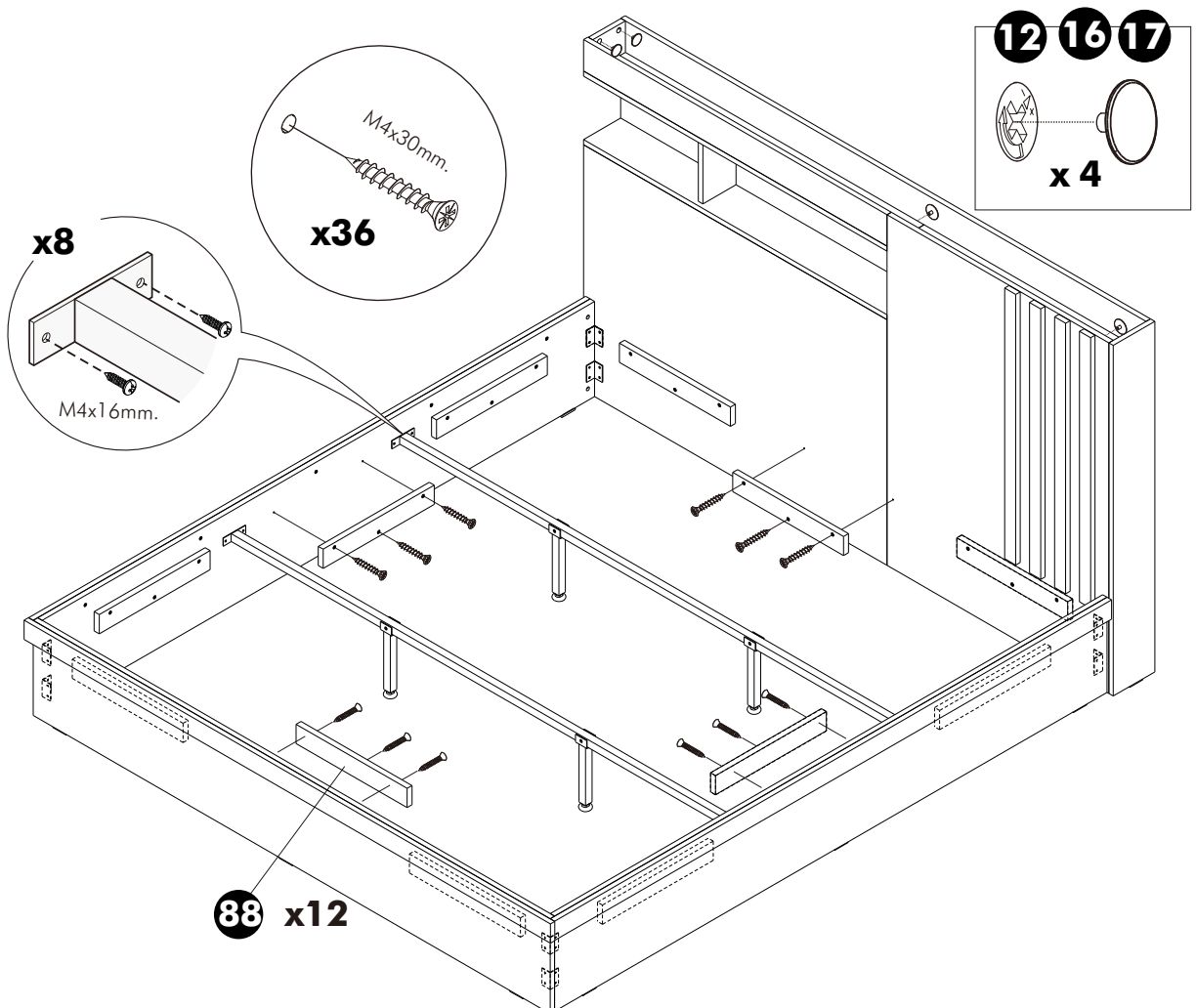
8.



9.



10.



11.

