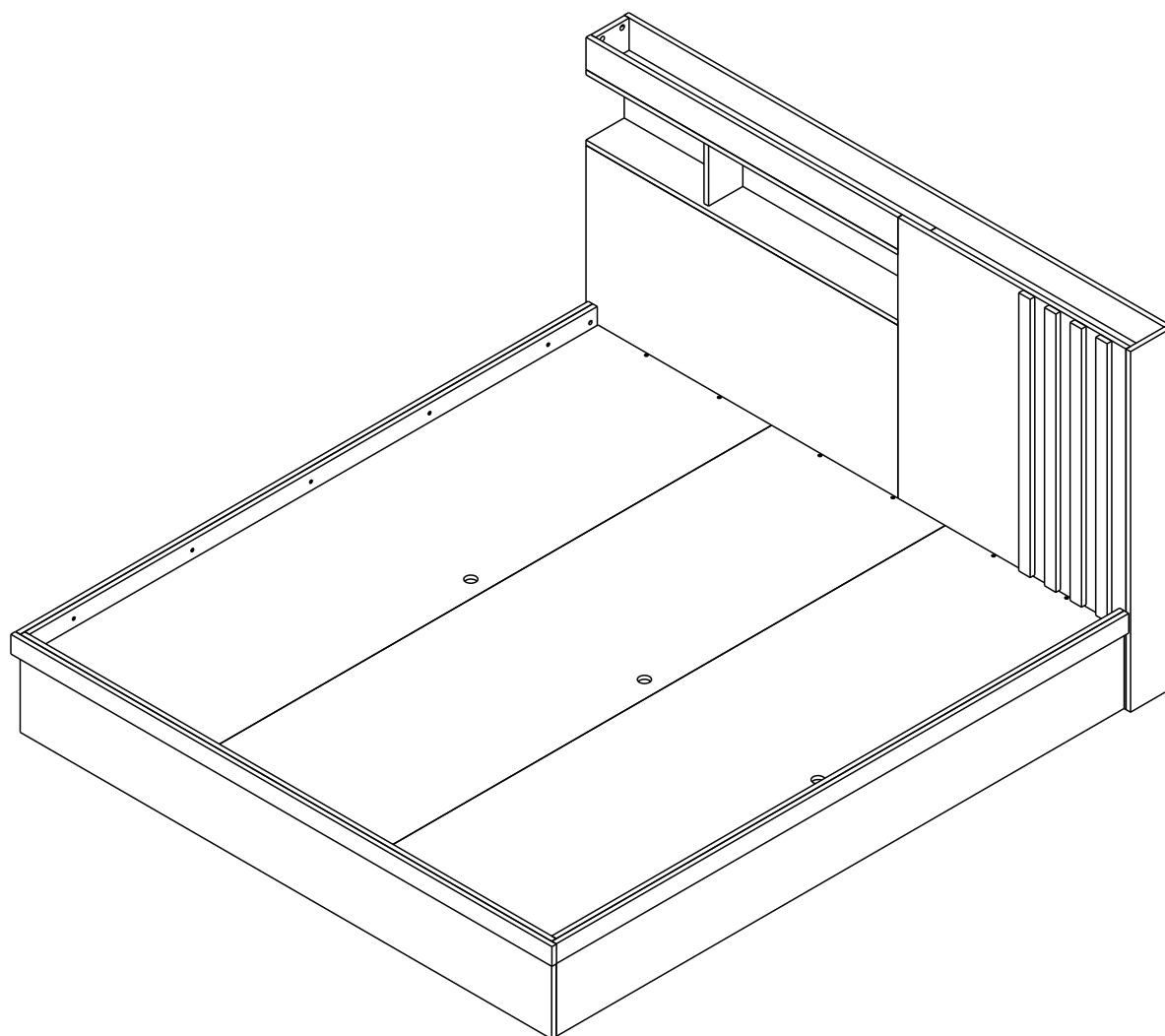


NAPLES

BED 5 ft.



CONNECT SYSTEM

1

3

2

(Connecting bolts)

WHEN FITTING CAMS
 ENSURE STARTING POSITION IS CORRECT
 BEFORE YOU INSERT CONNECTING BOLT
 TURN CLOCKWISE UNTIL SECURE

✓				✗
↑	CORRECT	WRONG		

M4x16mm.

i

40mm.

☹️

✗

EQ

😊

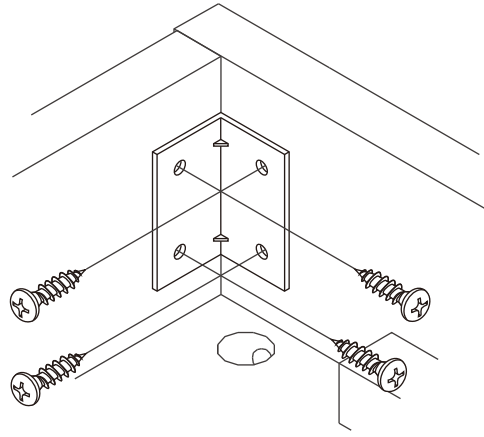
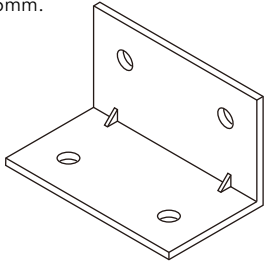
✓

M6x45mm.

M6

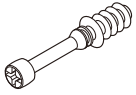
M6

M4x16mm.



HARDWARE

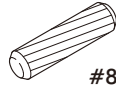
-BODY SET



x 22



x 22



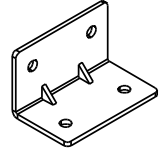
#8x35

x 39

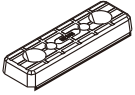


M4x16mm.

x 43



x 8



x 15



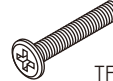
#M6

x 4



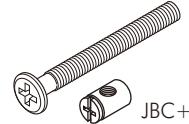
#M6

x 4



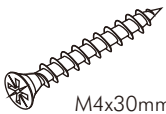
TF+M6x45

x 4



JBC+M6x60

x 4



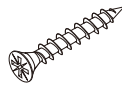
M4x30mm.

x 48



M4x16mm.

x 30



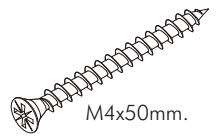
M4x25mm.

x 31



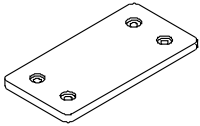
M4x13mm.

x 32



M4x50mm.

x 19



x 4



x 8



No.1

x 3



x 4



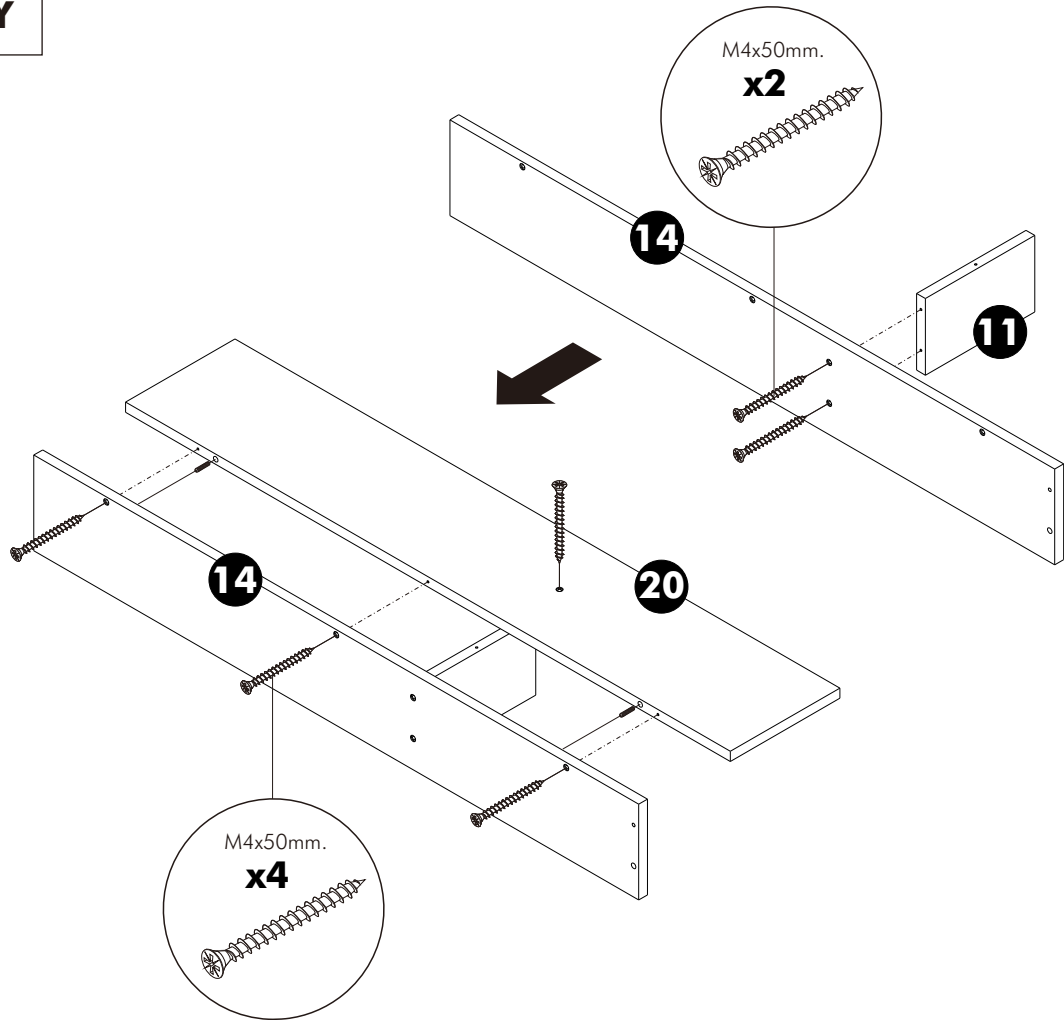
11mm.

x 4

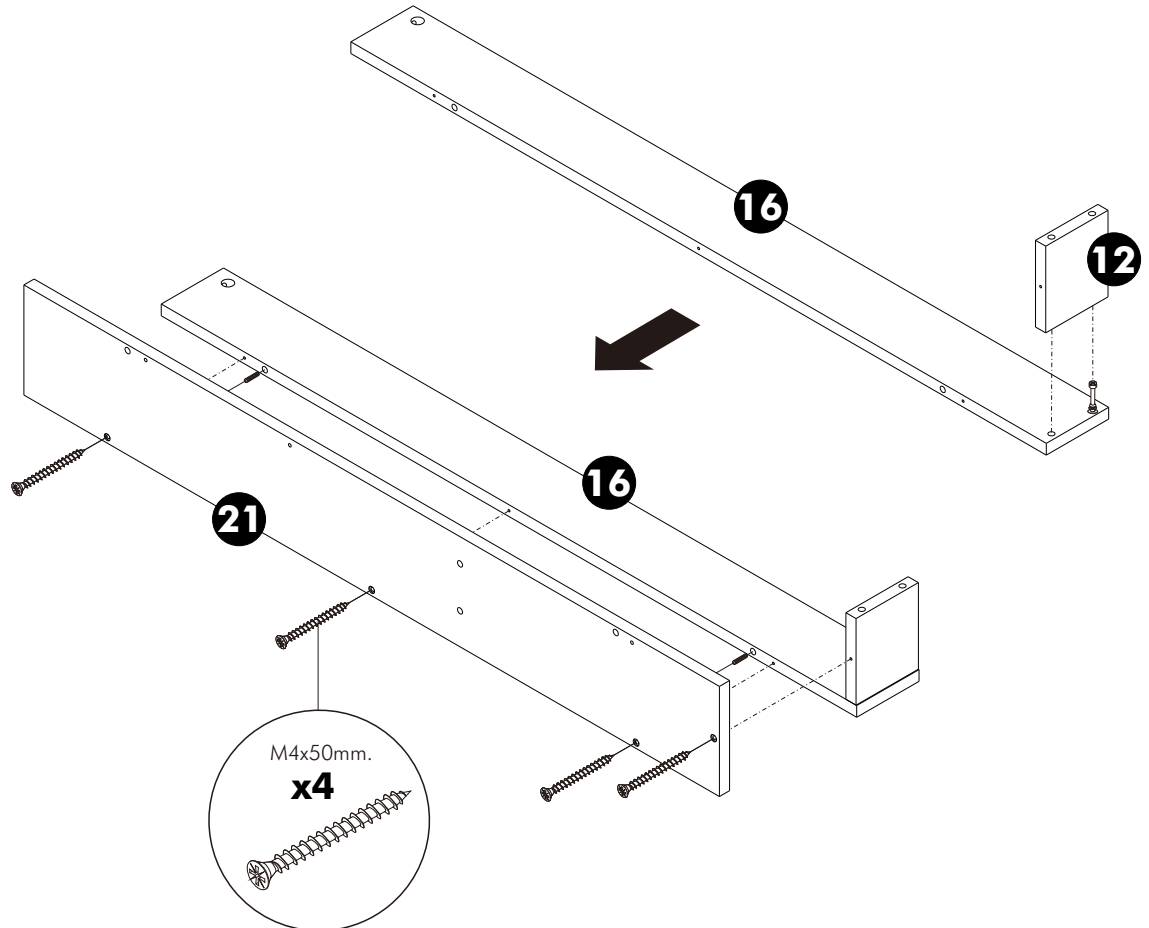
ASSEMBLY

-BODY SET

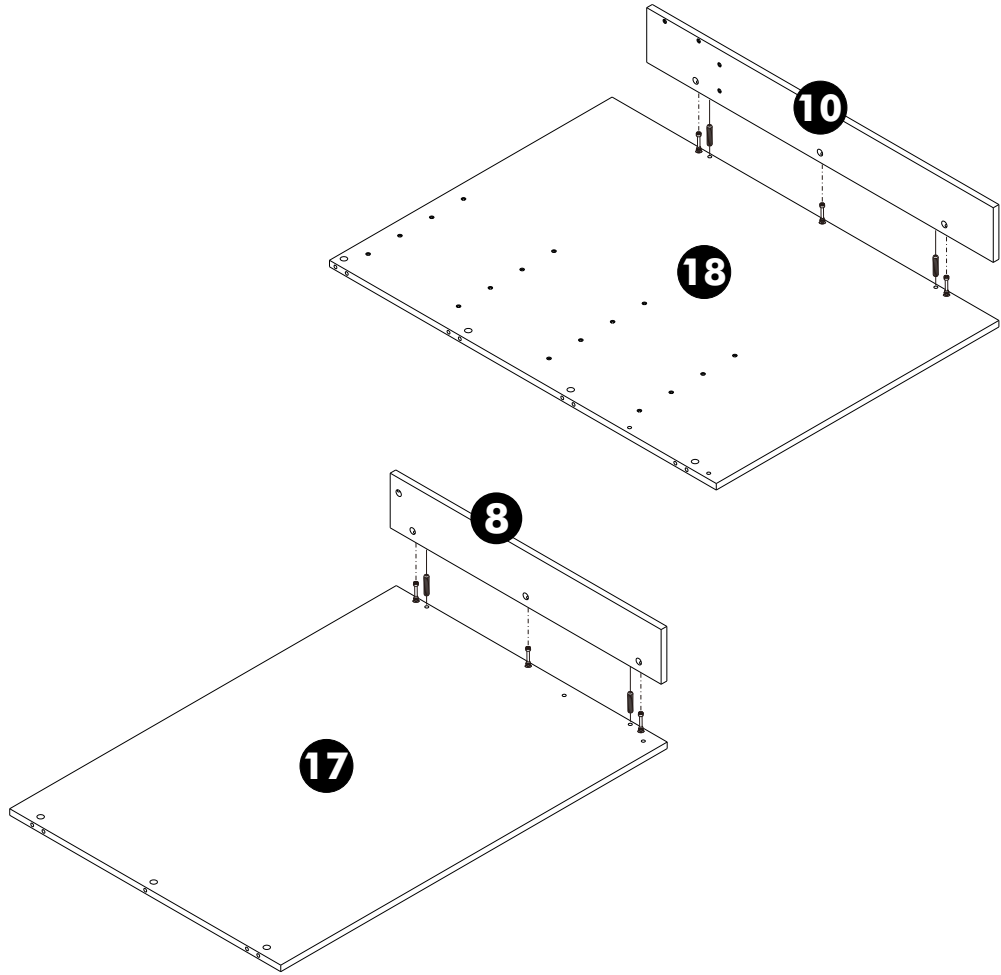
1.



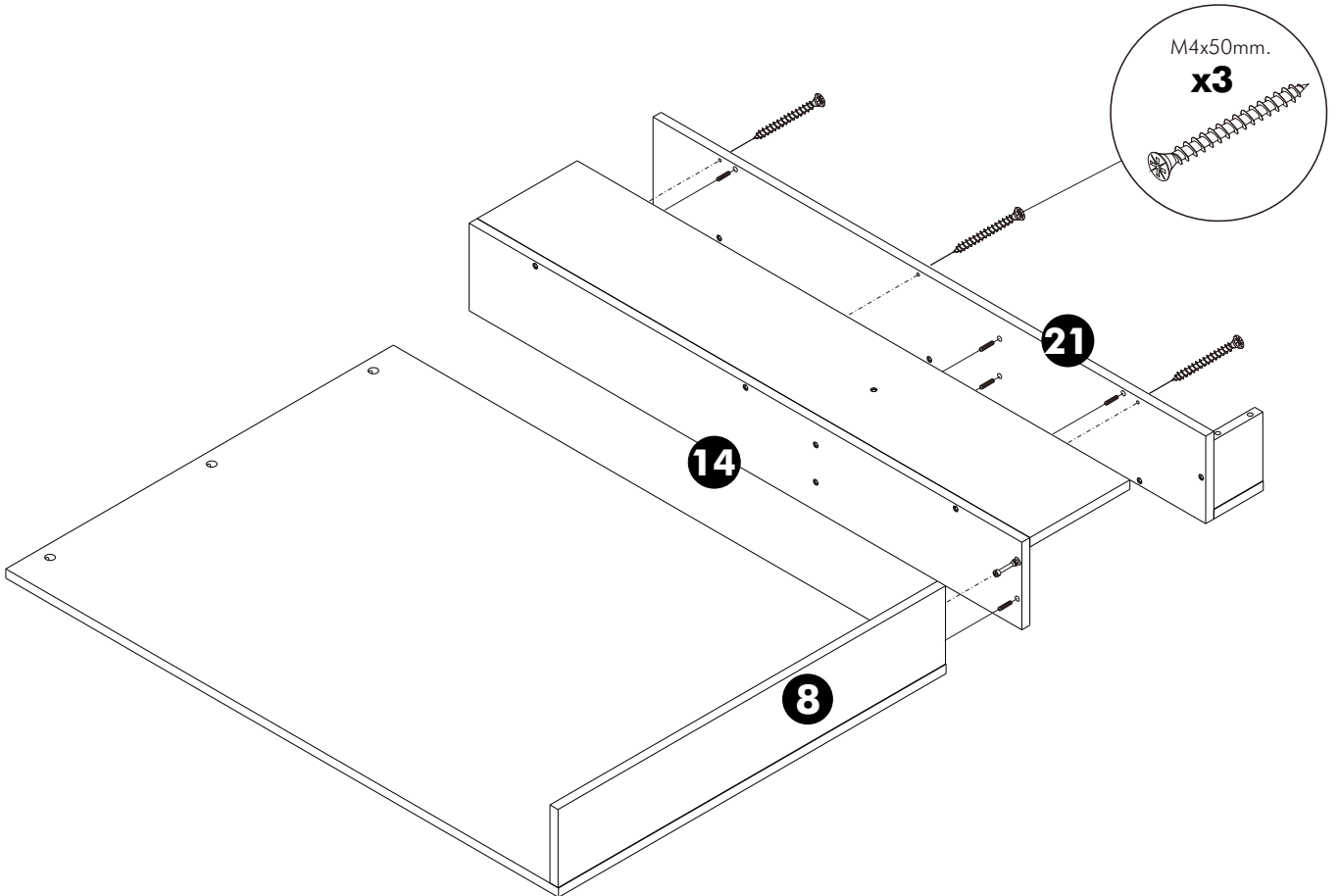
2.



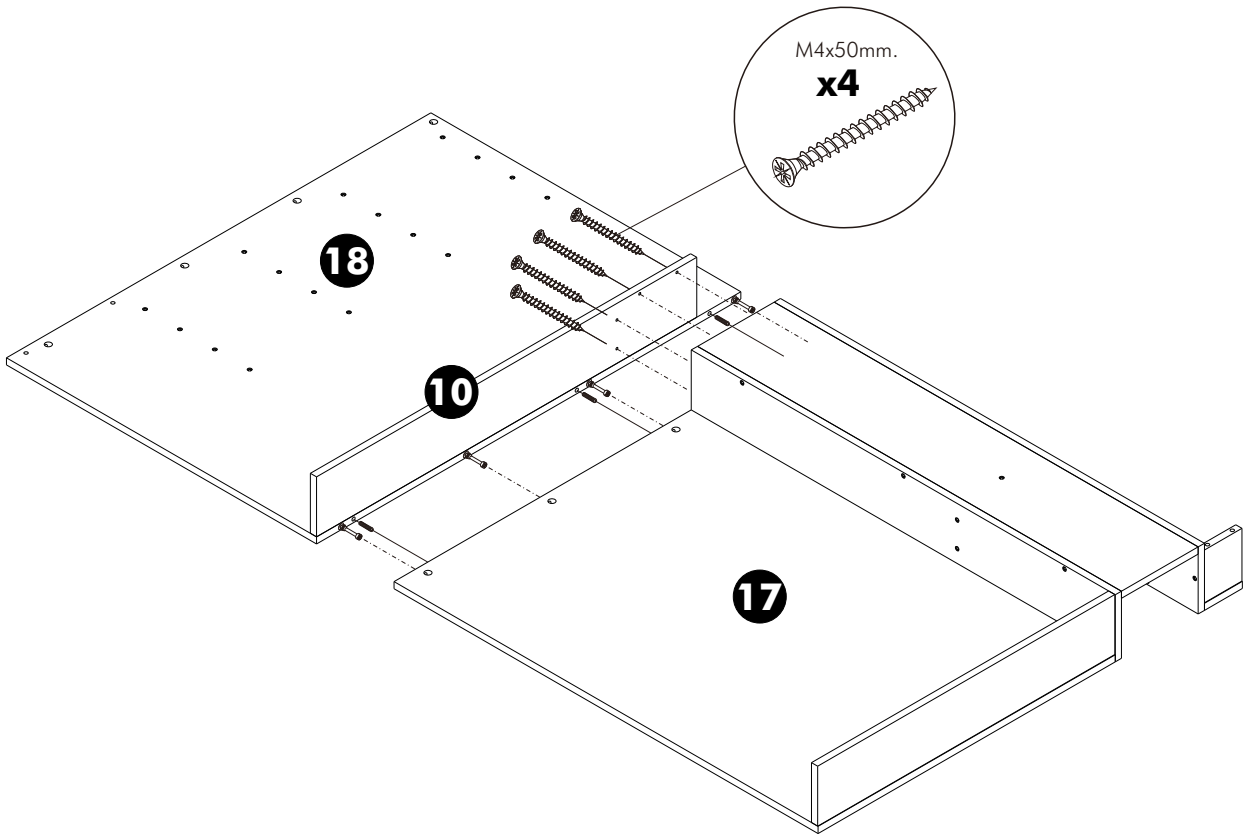
3.



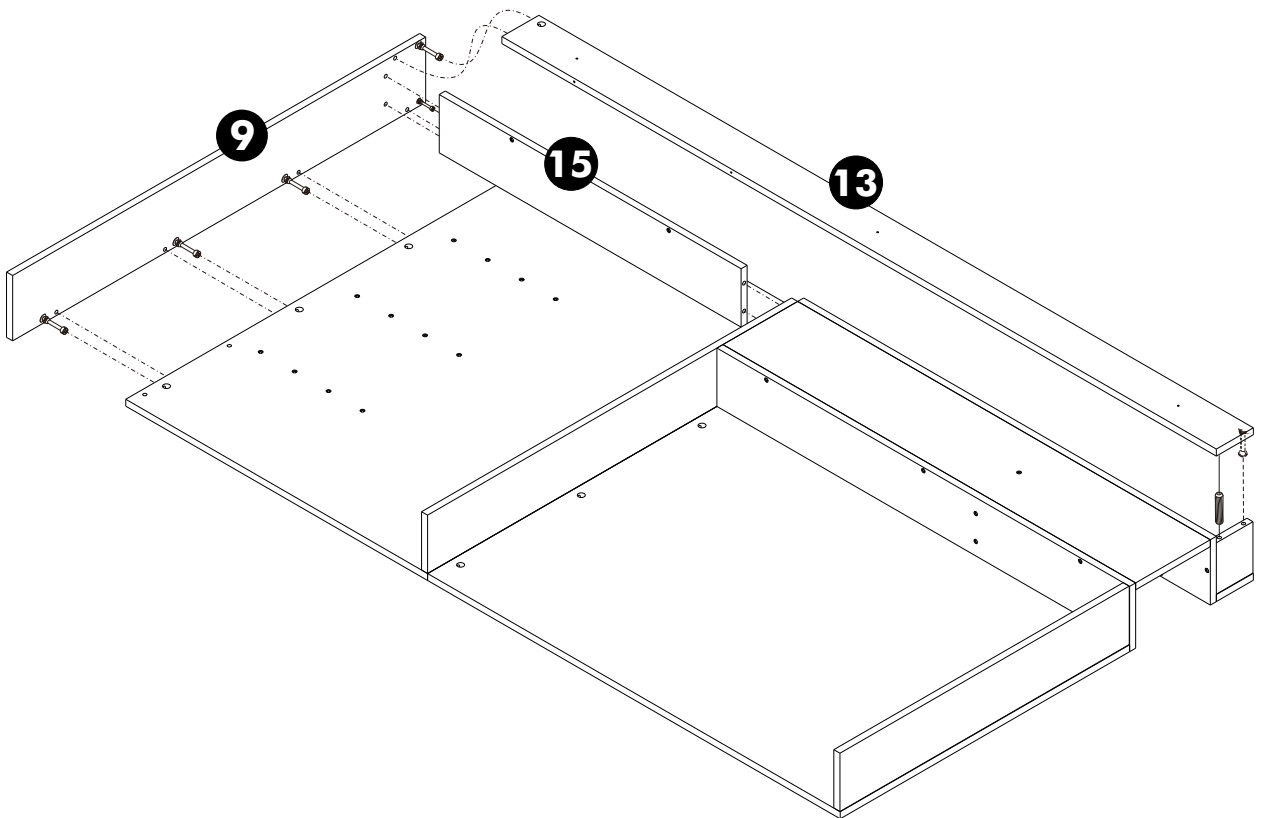
4.



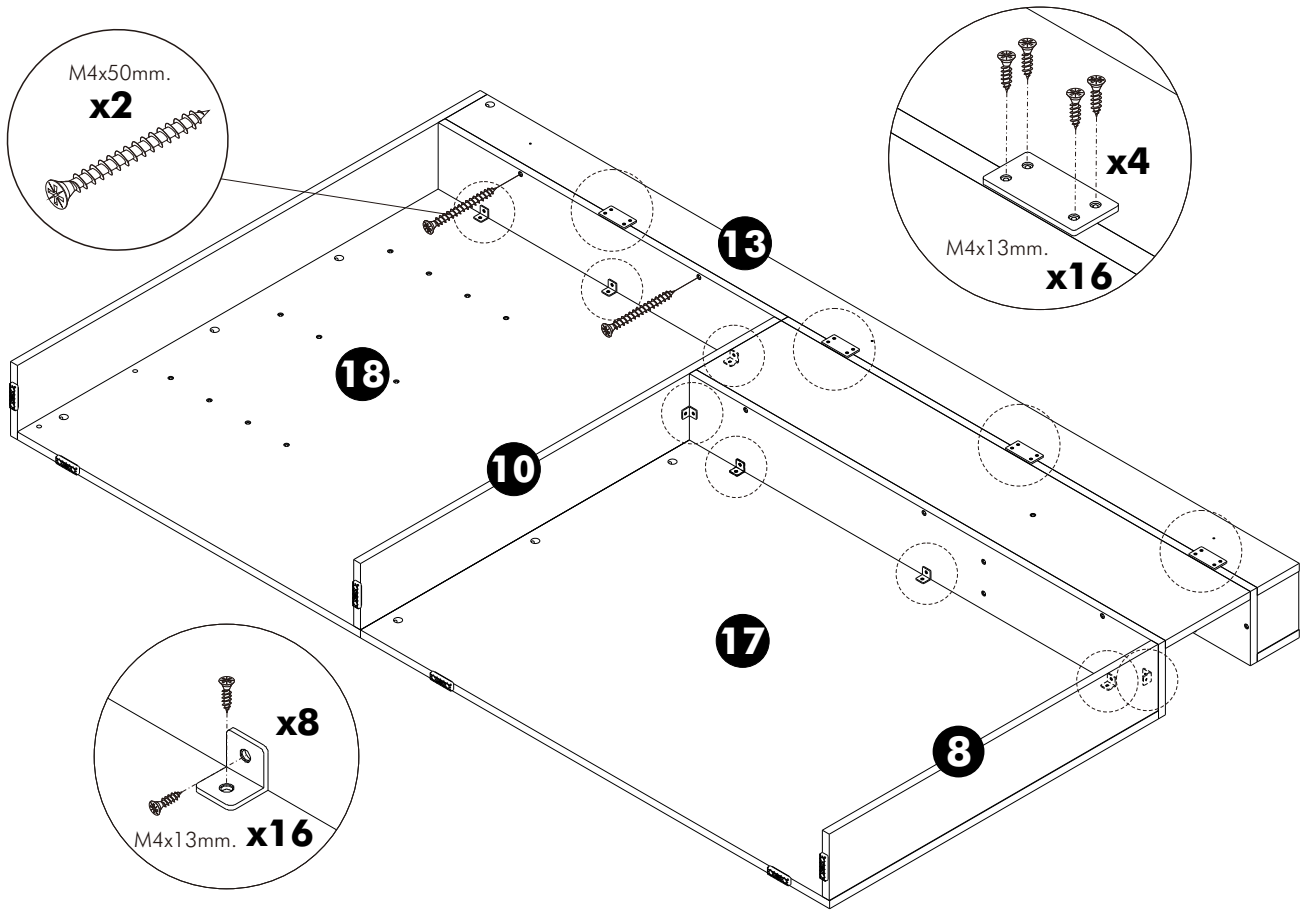
5.



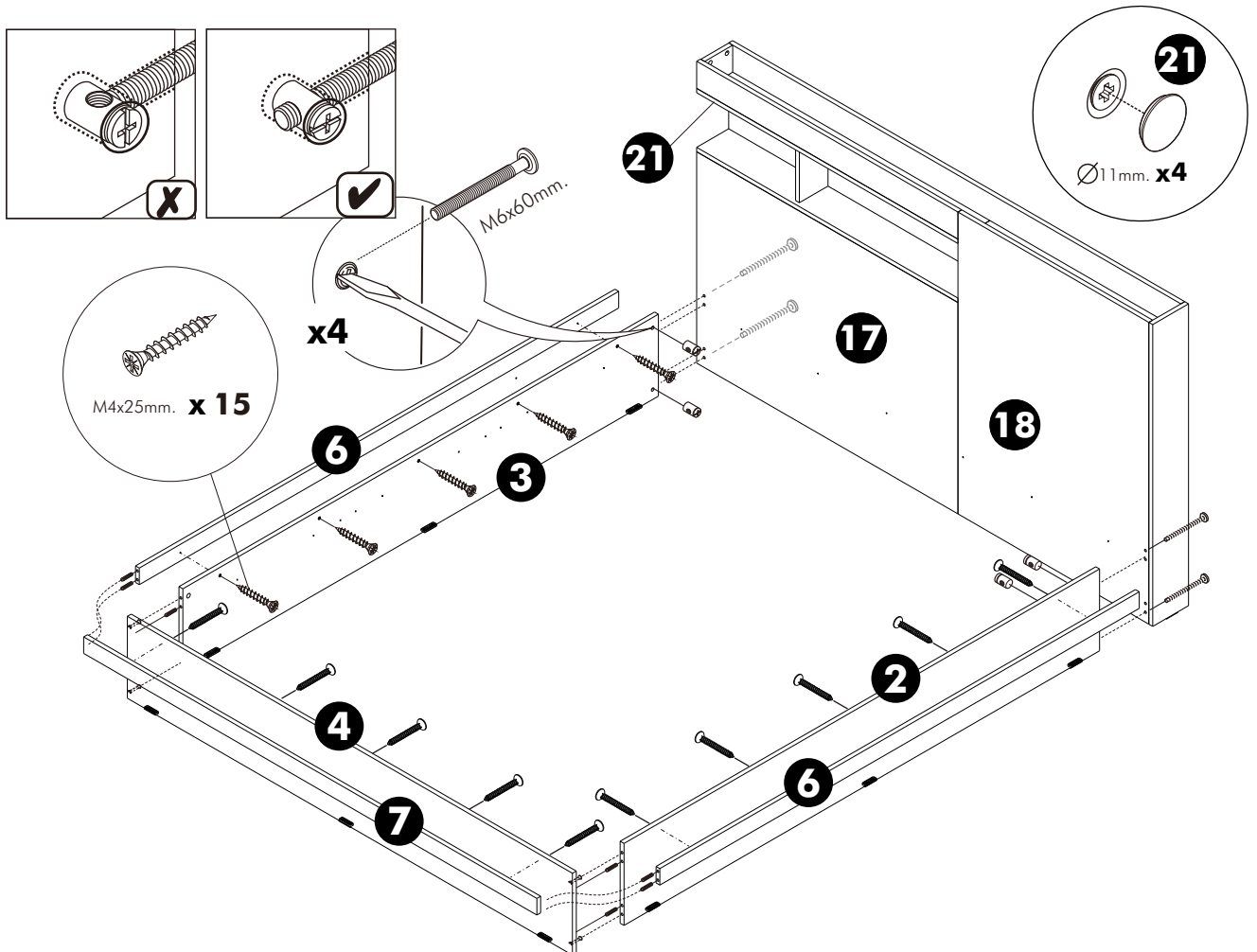
6.



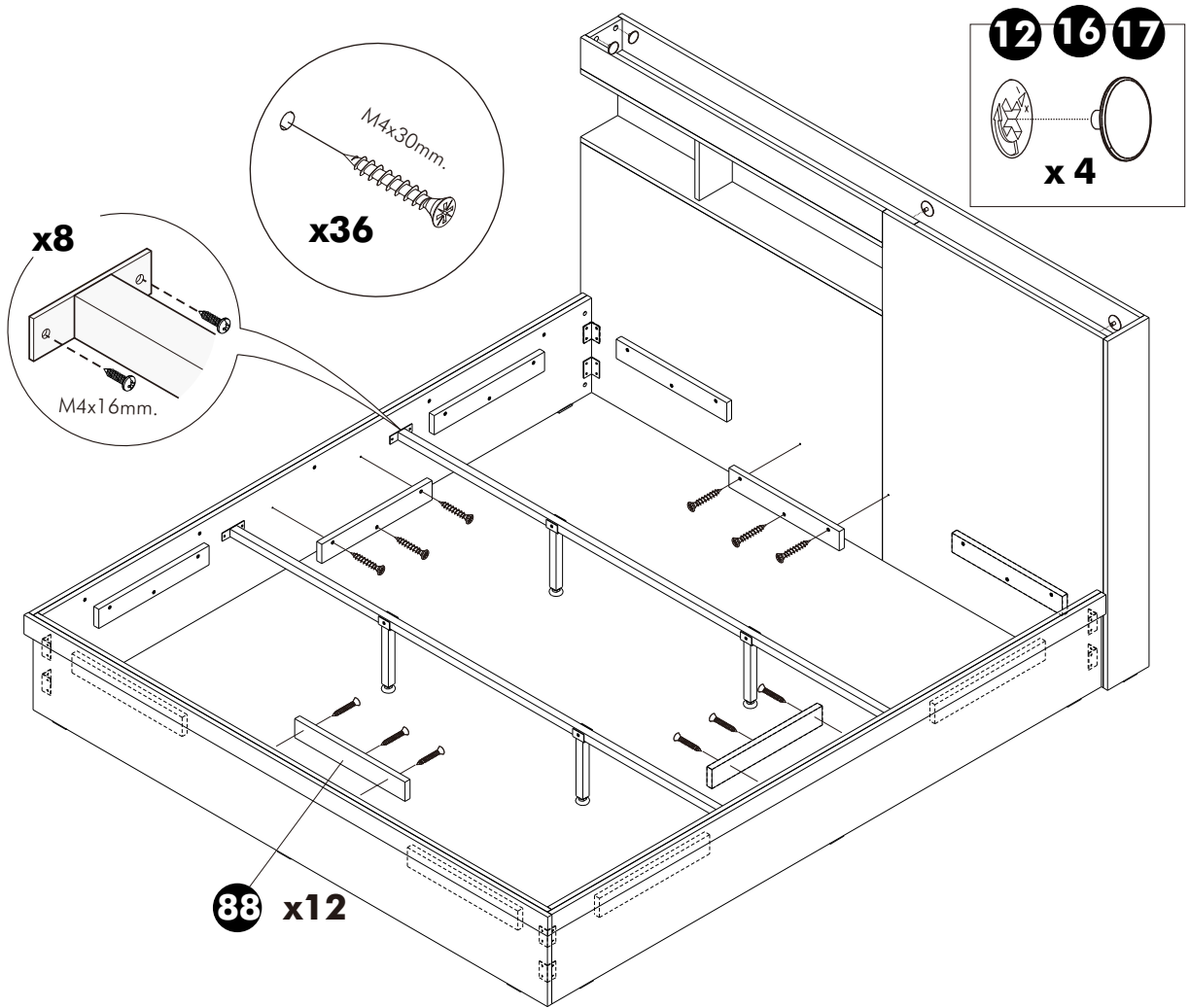
7.



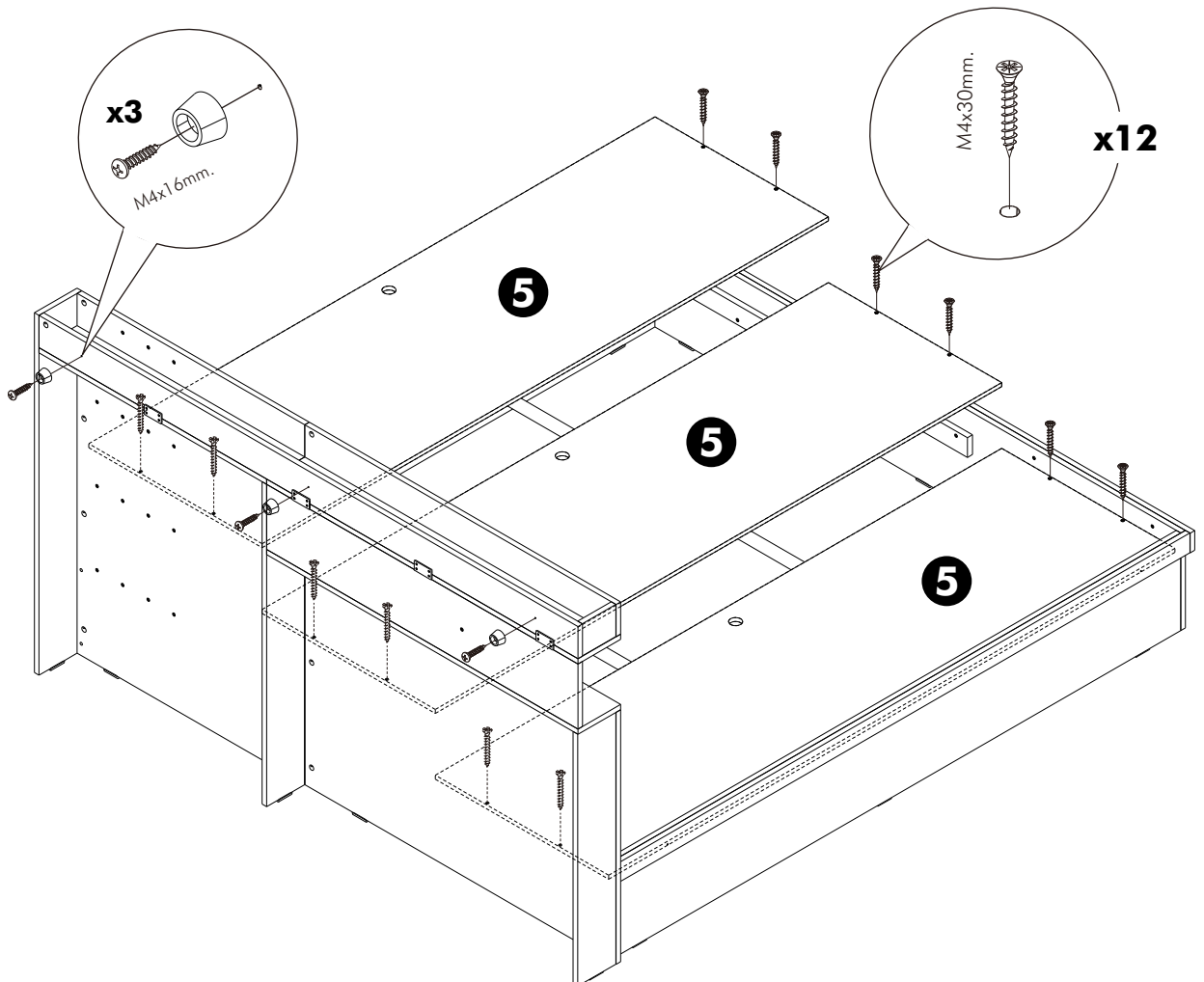
8.



9.



10.



11.

