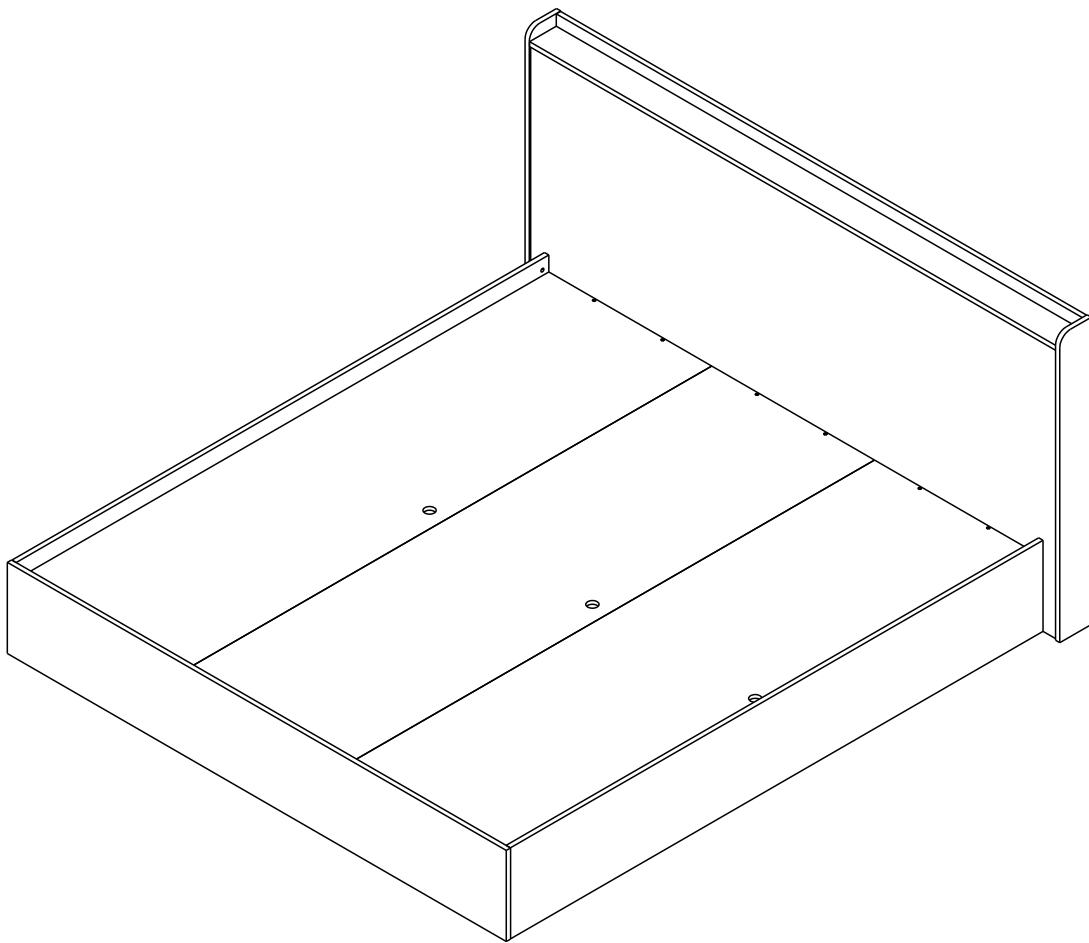


VERMONT

BED 6,5 ft.



CONNECT SYSTEM

1

3

2

(Connecting bolts)

WHEN FITTING CAMS
 ENSURE STARTING POSITION IS CORRECT
 BEFORE YOU INSERT CONNECTING BOLT
 TURN CLOCKWISE UNTIL SECURE

✓				✗
↑				
CORRECT		WRONG		

M4x16mm.

i

40mm.

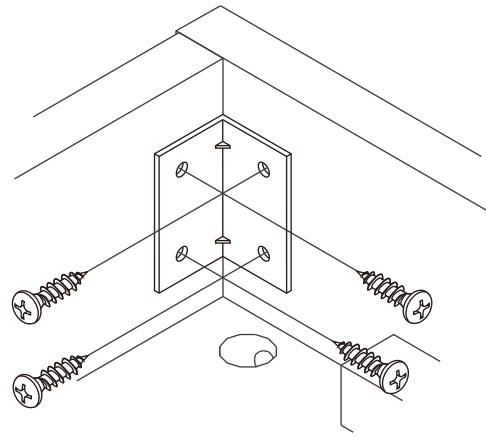
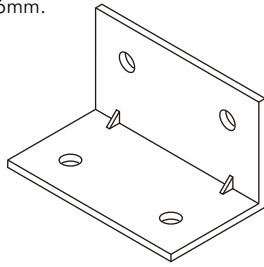
EQ

M6x45mm.

M6

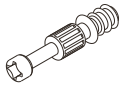
M6

M4x16mm.



HARDWARE

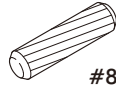
-BODY SET



x 4



x 4



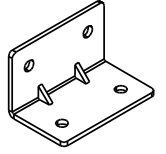
#8x35

x 8

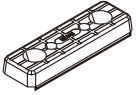


No.1

x 3



x 4



x 9



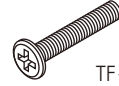
#M6

x 4



#M6

x 4



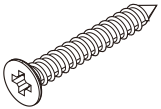
TF+M6x45

x 4



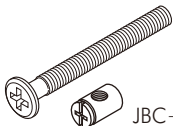
M4x16mm.

x 18



M4x30mm.

x 48



JBC+M6x60

x 4



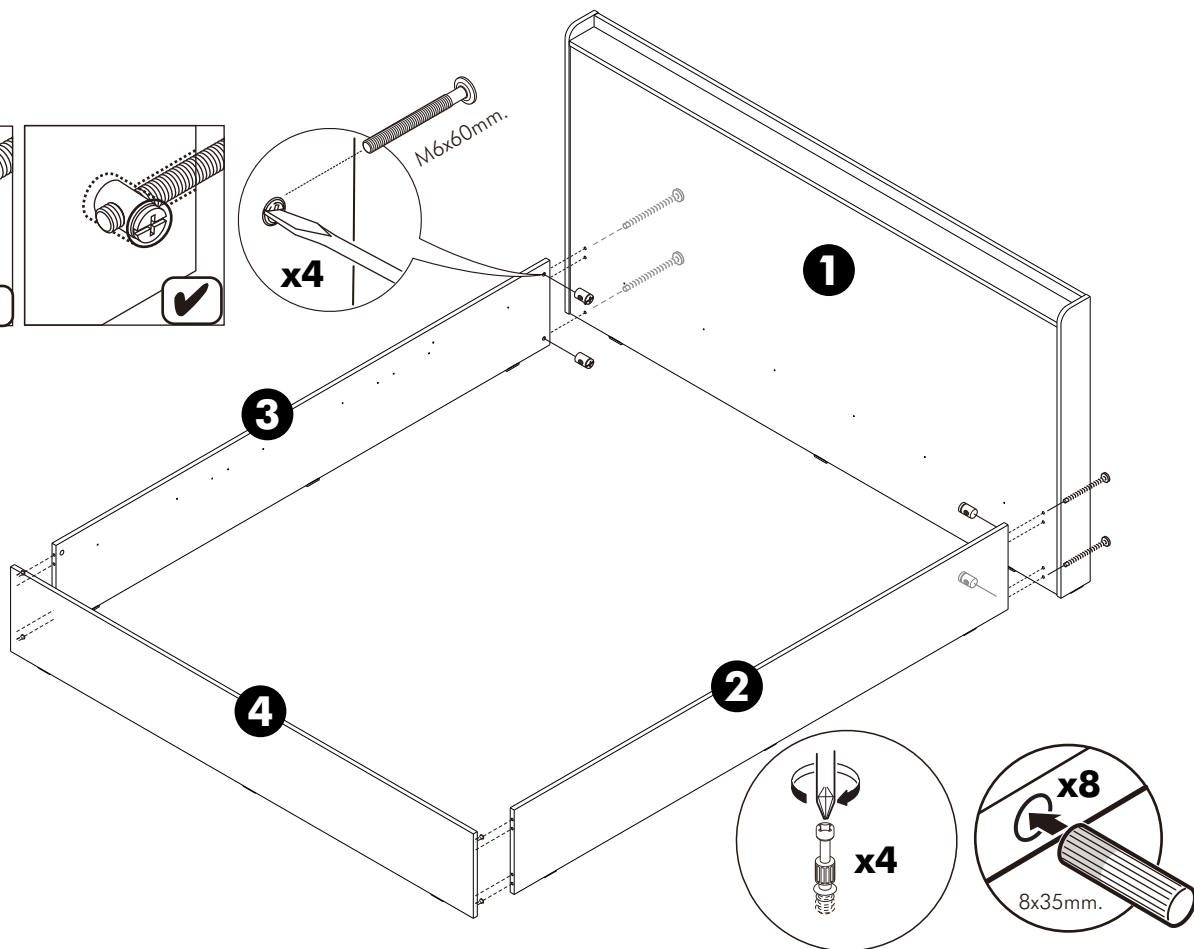
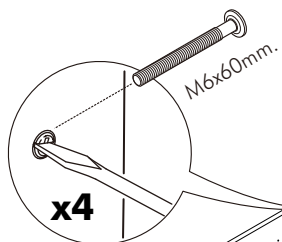
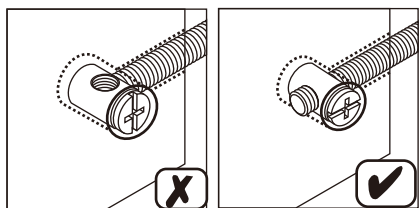
M4x16mm.

x 27

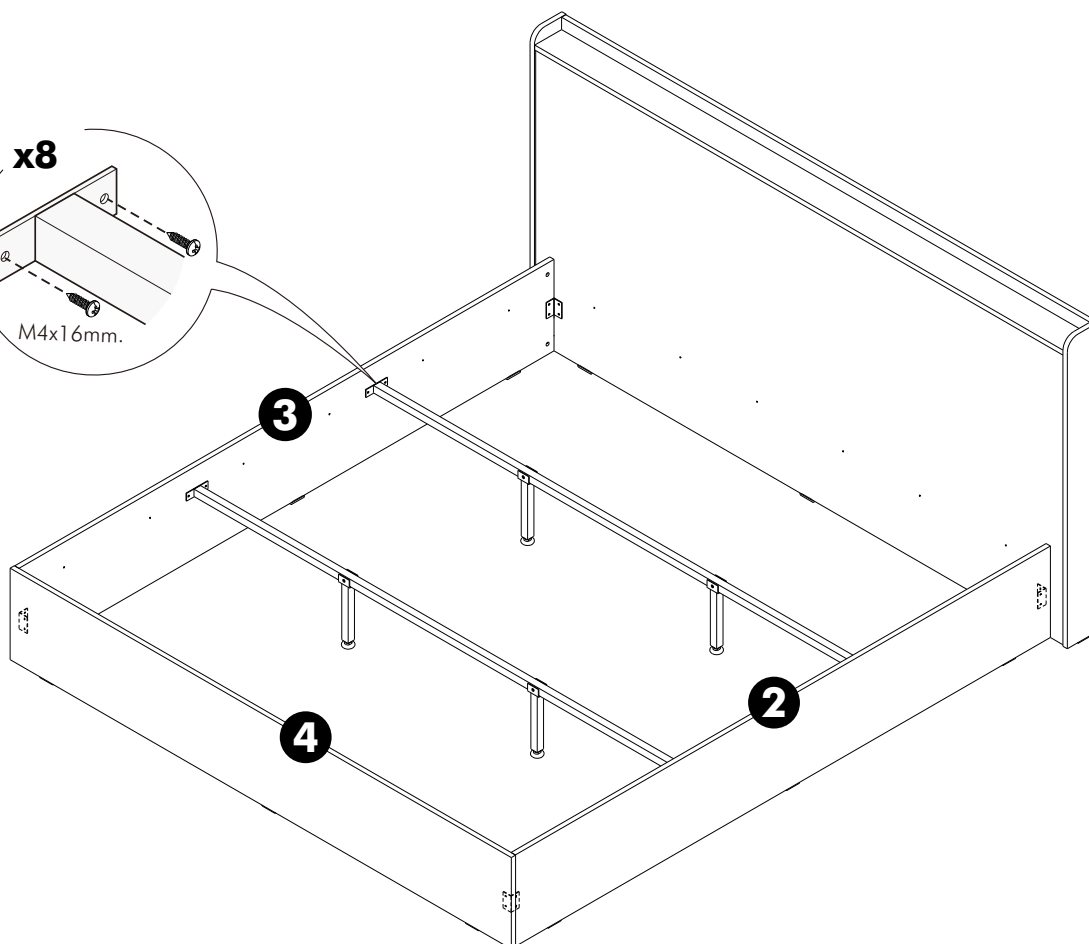
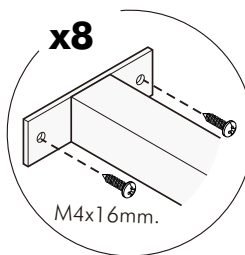
ASSEMBLY

-BODY SET

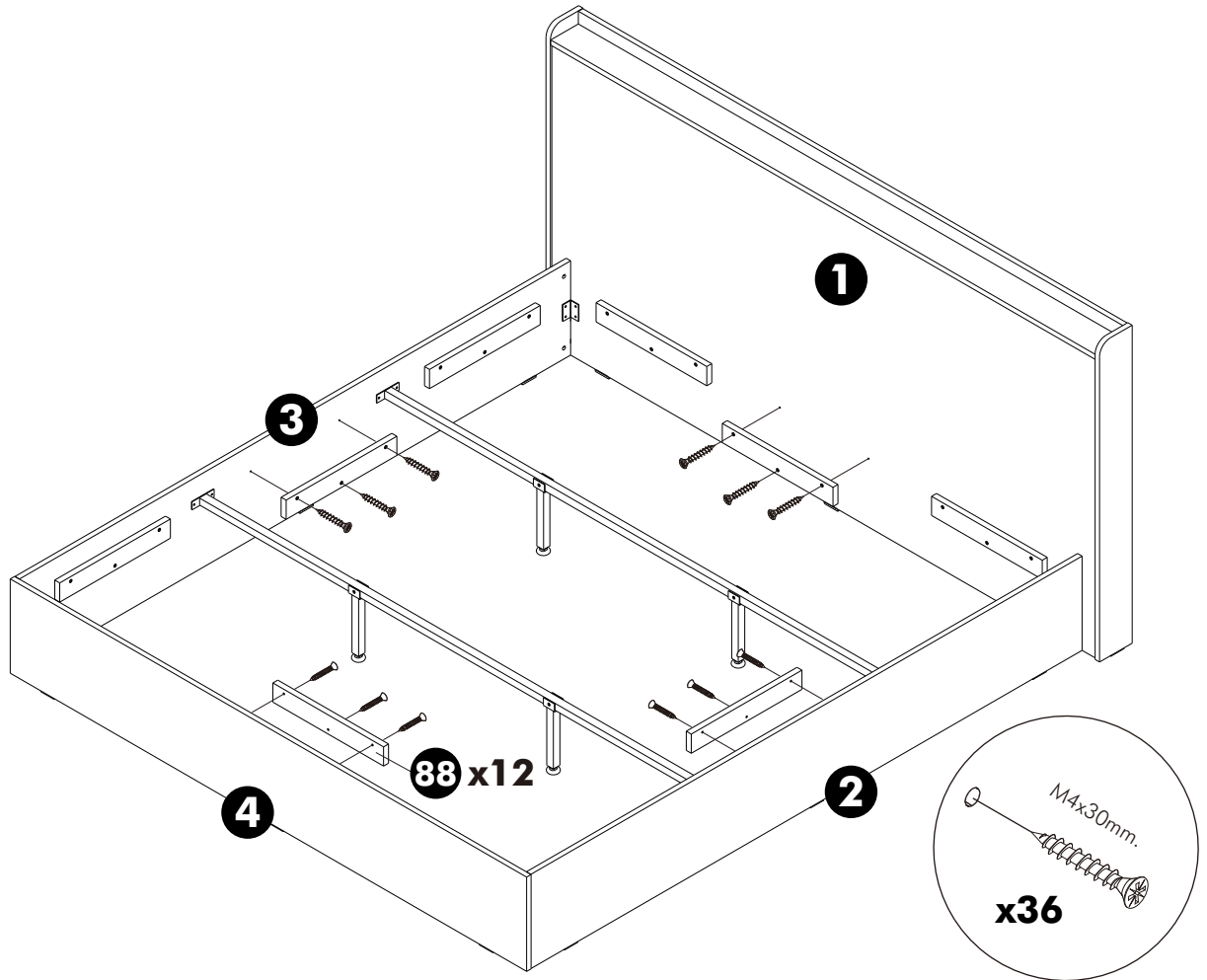
1.



2.



3.



4.

