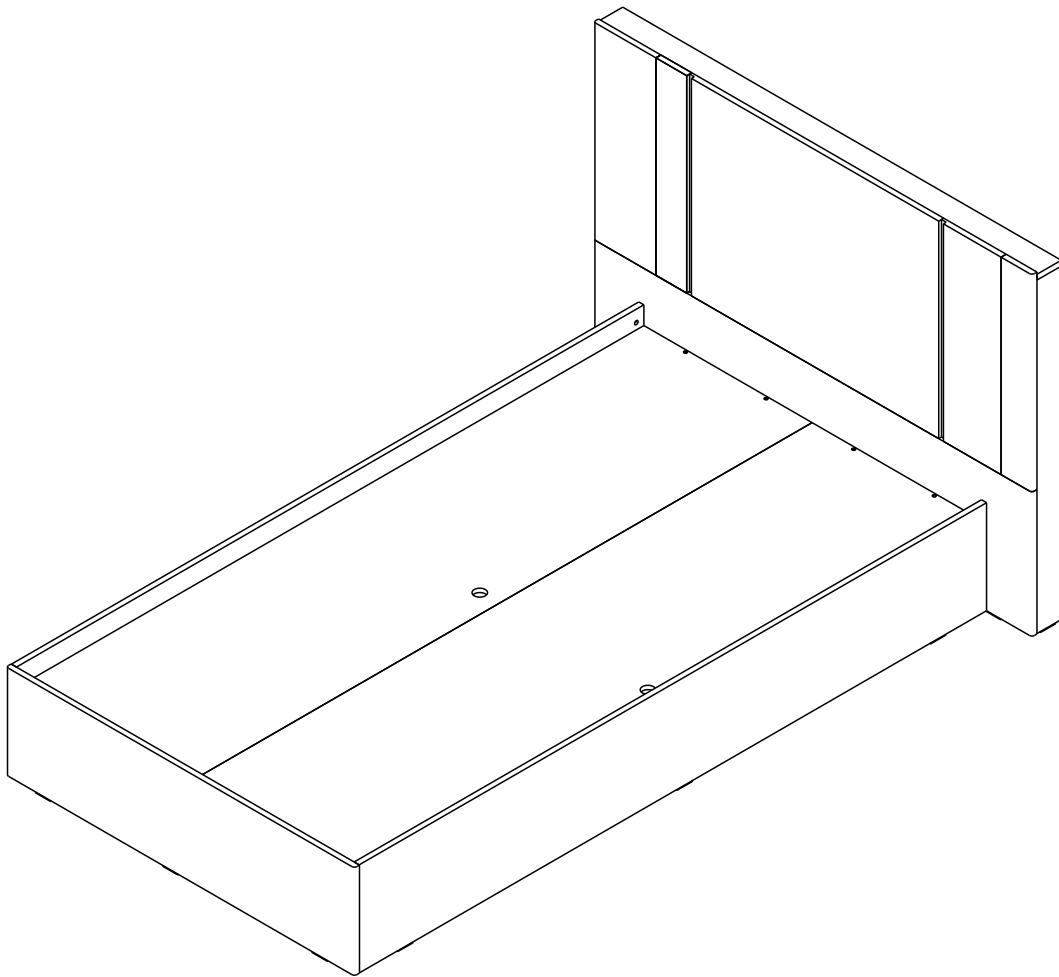


MELTON

BED 3.5 ft.



CONNECT SYSTEM

1

3

2

(Connecting bolts)

WHEN FITTING CAMS
 ENSURE STARTING POSITION IS CORRECT
 BEFORE YOU INSERT CONNECTING BOLT
 TURN CLOCKWISE UNTIL SECURE

✓				✗
↑	CORRECT	WRONG		

M4x16mm.

i

40mm.

☹

✗

EQ

☺

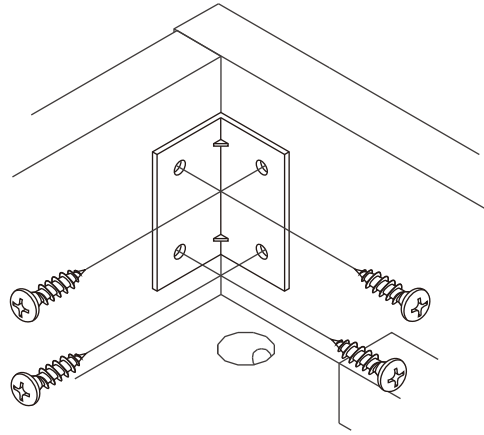
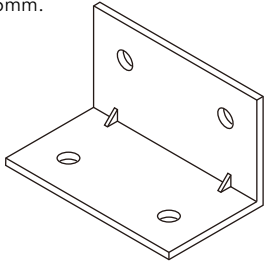
✓

M6x45mm.

M6

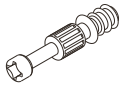
M6

M4x16mm.



HARDWARE

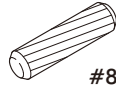
-BODY SET



x 4



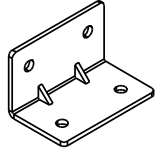
x 4



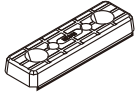
#8x35
x 8



No.1
x 3



x 4



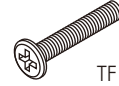
x 9



#M6
x 2



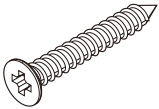
#M6
x 2



TF+M6x45
x 2

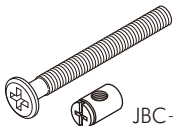


M4x16mm.
x 18



M4x30mm.

x 38



JBC+M6x60

x 4



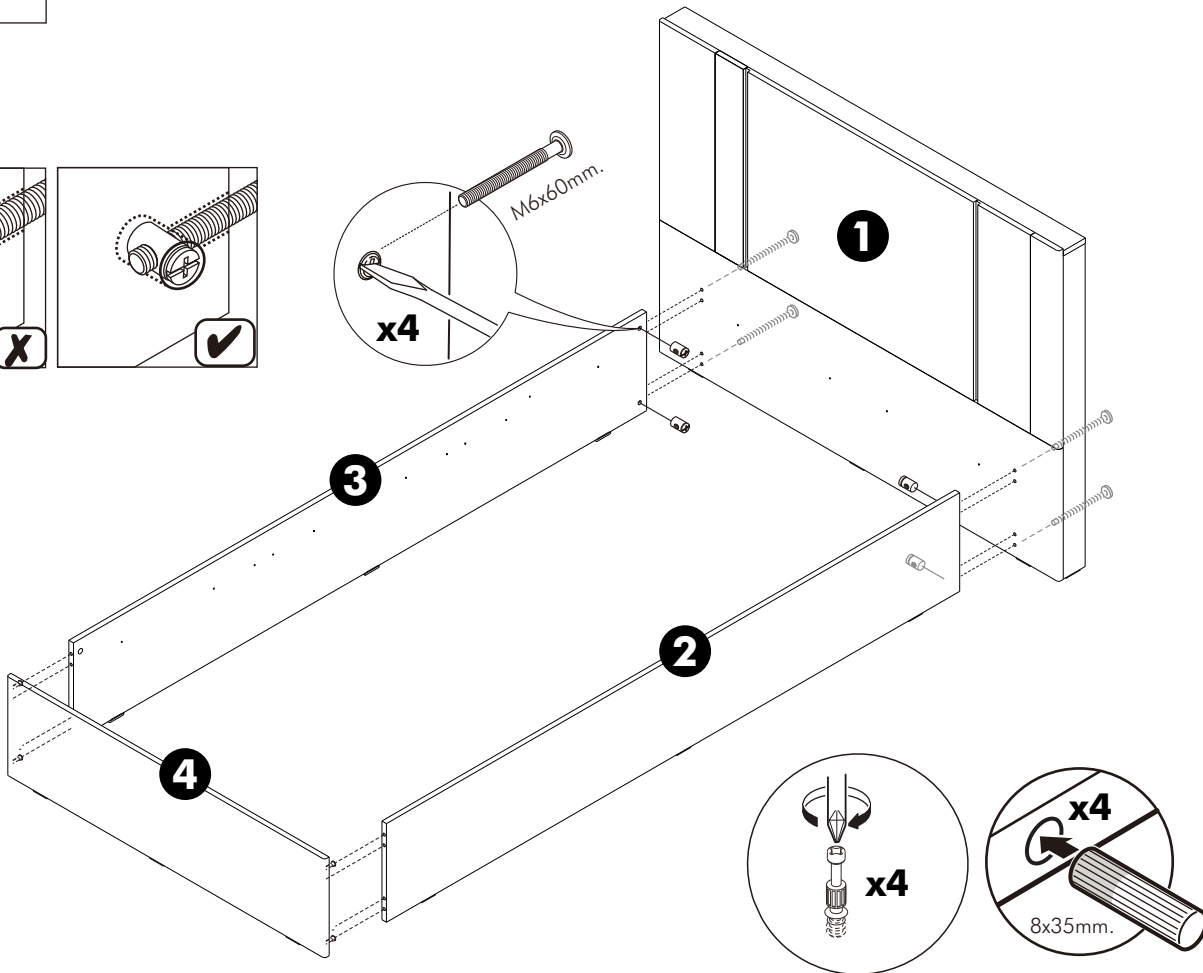
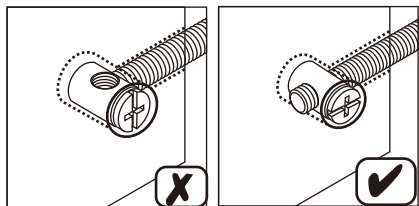
M4x16mm.

x 27

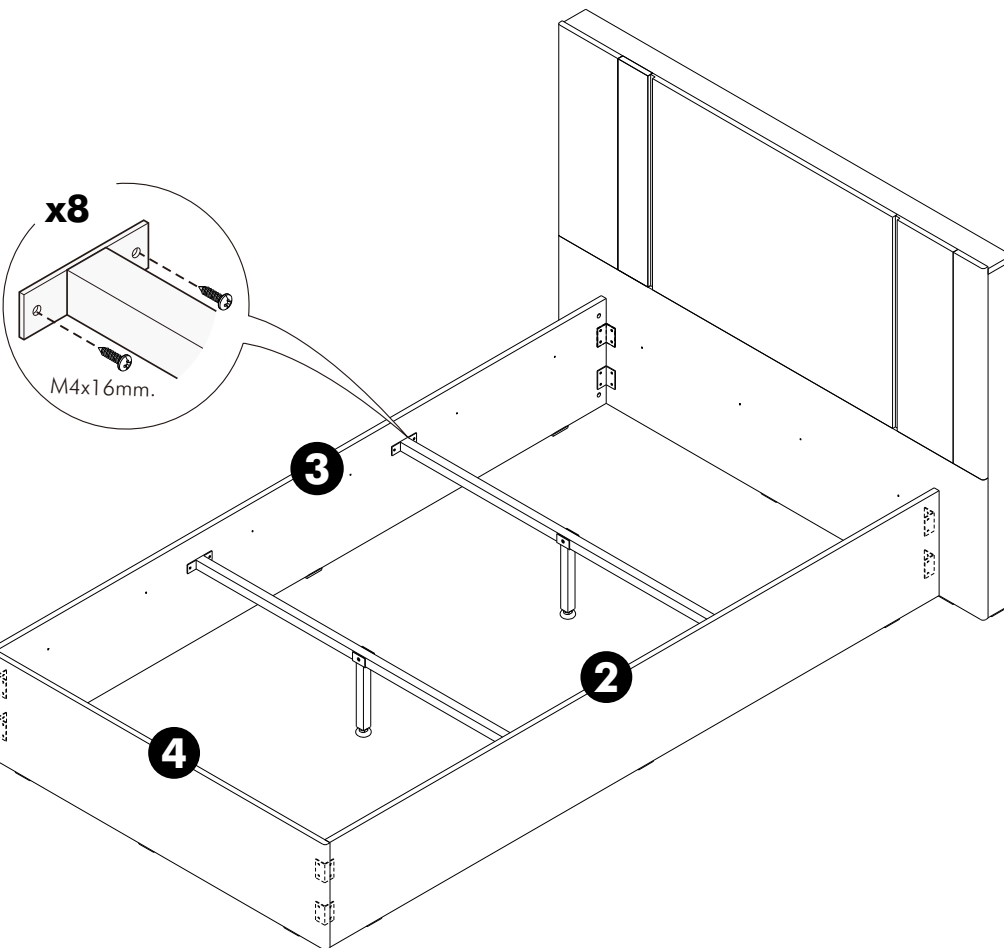
ASSEMBLY

-BODY SET

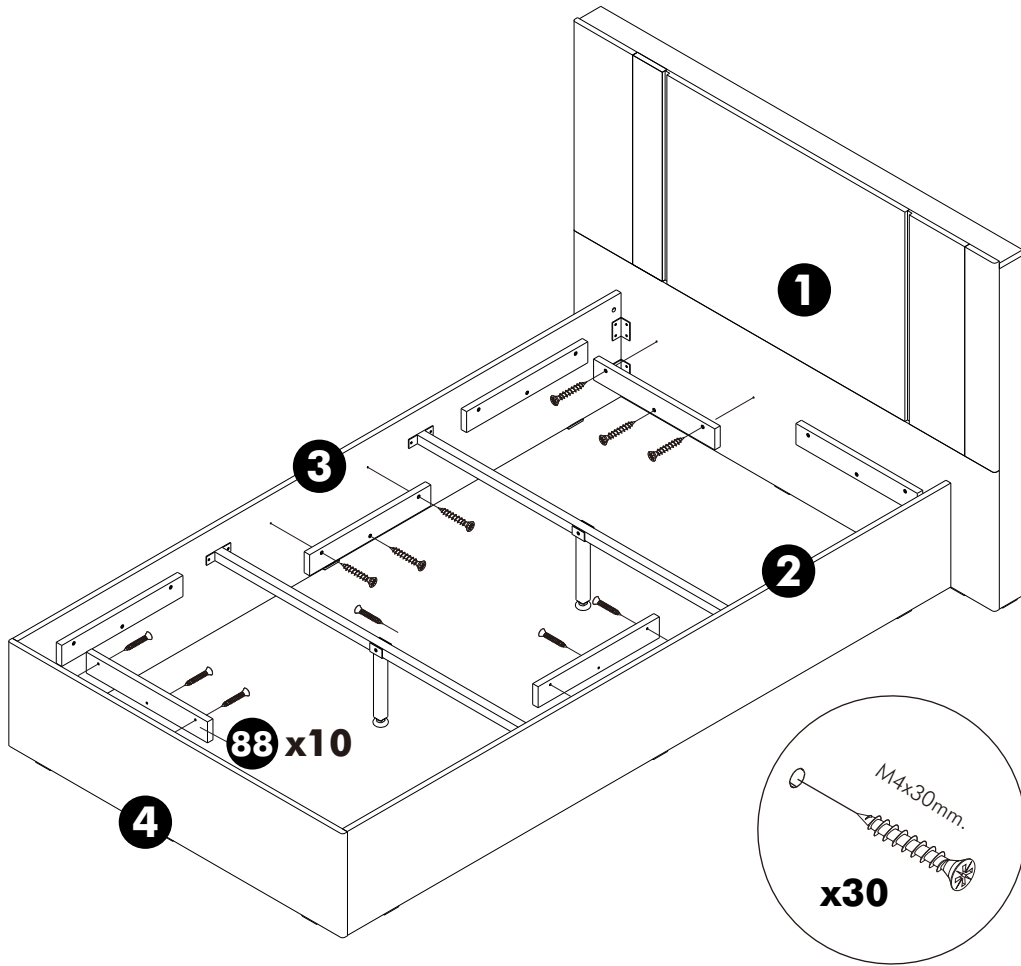
1.



2.



3.



4.

