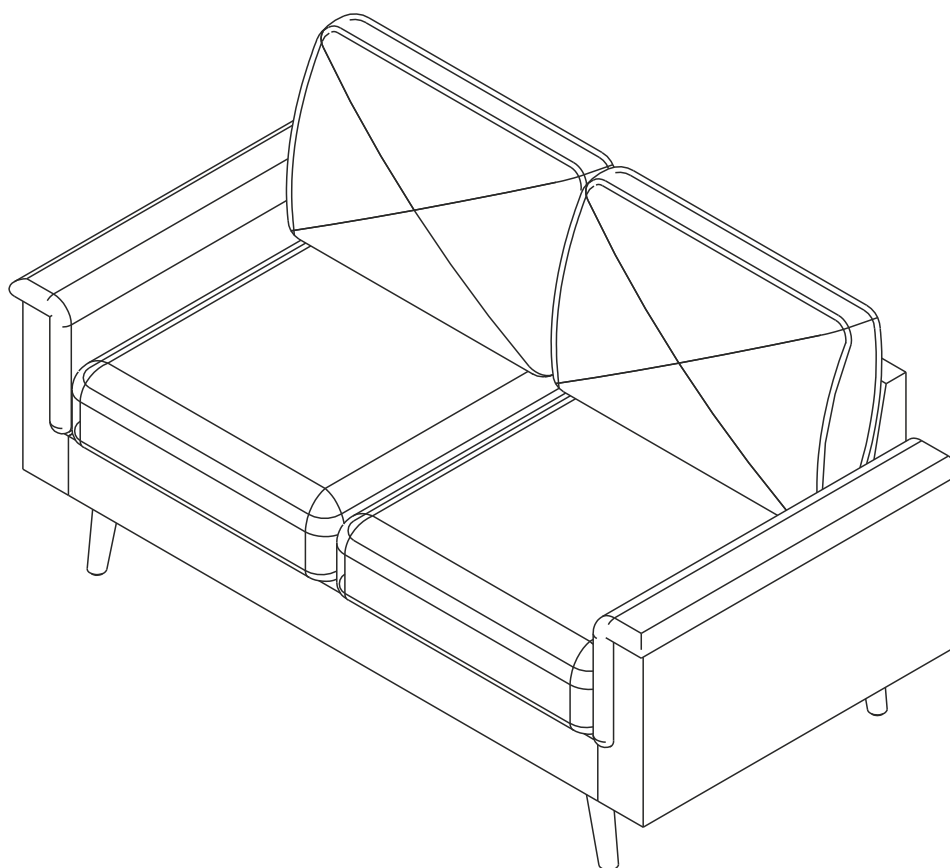


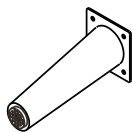
HECTOR

SOFA 2S

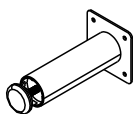


HARDWARE

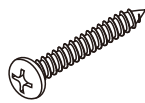
-BODY SET



x 4



x 1



P+M4x30mm.

x 20

1.

