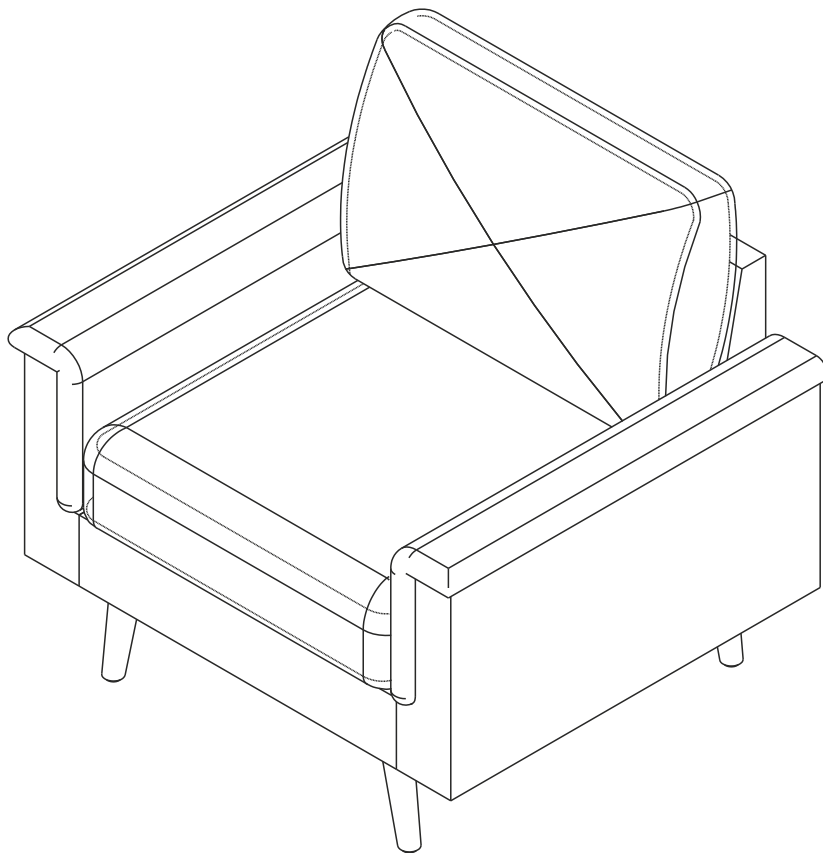


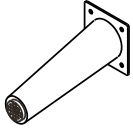
HECTOR

SOFA 1S

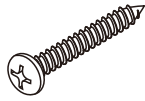


HARDWARE

-BODY SET



x 4



P+M4x30mm.

x 16

1.

