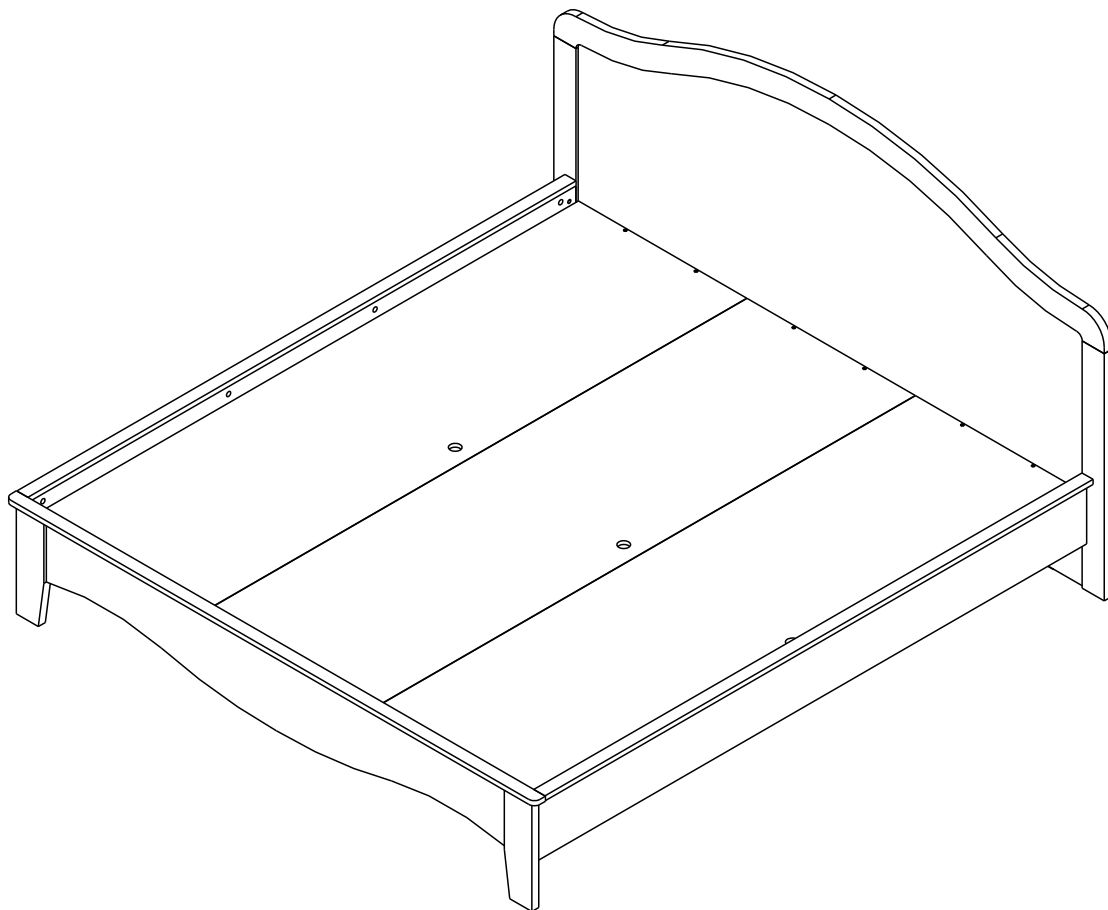


FLORENCE

BED 6 ft.



CONNECT SYSTEM

1

3

2

(Connecting bolts)

WHEN FITTING CAMS
 ENSURE STARTING POSITION IS CORRECT
 BEFORE YOU INSERT CONNECTING BOLT
 TURN CLOCKWISE UNTIL SECURE

✓				✗
	CORRECT	WRONG		

M4x16mm.

OUT

IN

M4x16mm.

i

40mm.

☹

✗

EQ

☺

✓

M6x45mm.

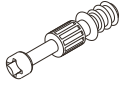
M6

M6

M4x16mm.

HARDWARE

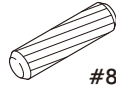
-BODY SET



x 18



x 18



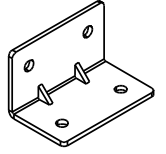
#8x35

x 22

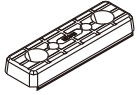


No.1

x 3



x 4



x 2



#M6

x 4



#M6

x 4



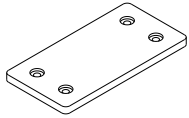
TF+M6x45

x 4



M4x16mm.

x 4



x 2



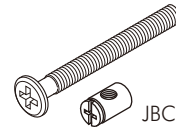
M4x13mm.

x 8



M4x30mm.

x 9



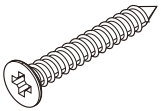
JBC+M6x60

x 6



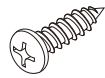
M4x13mm.

x 7



M4x30mm.

x 39



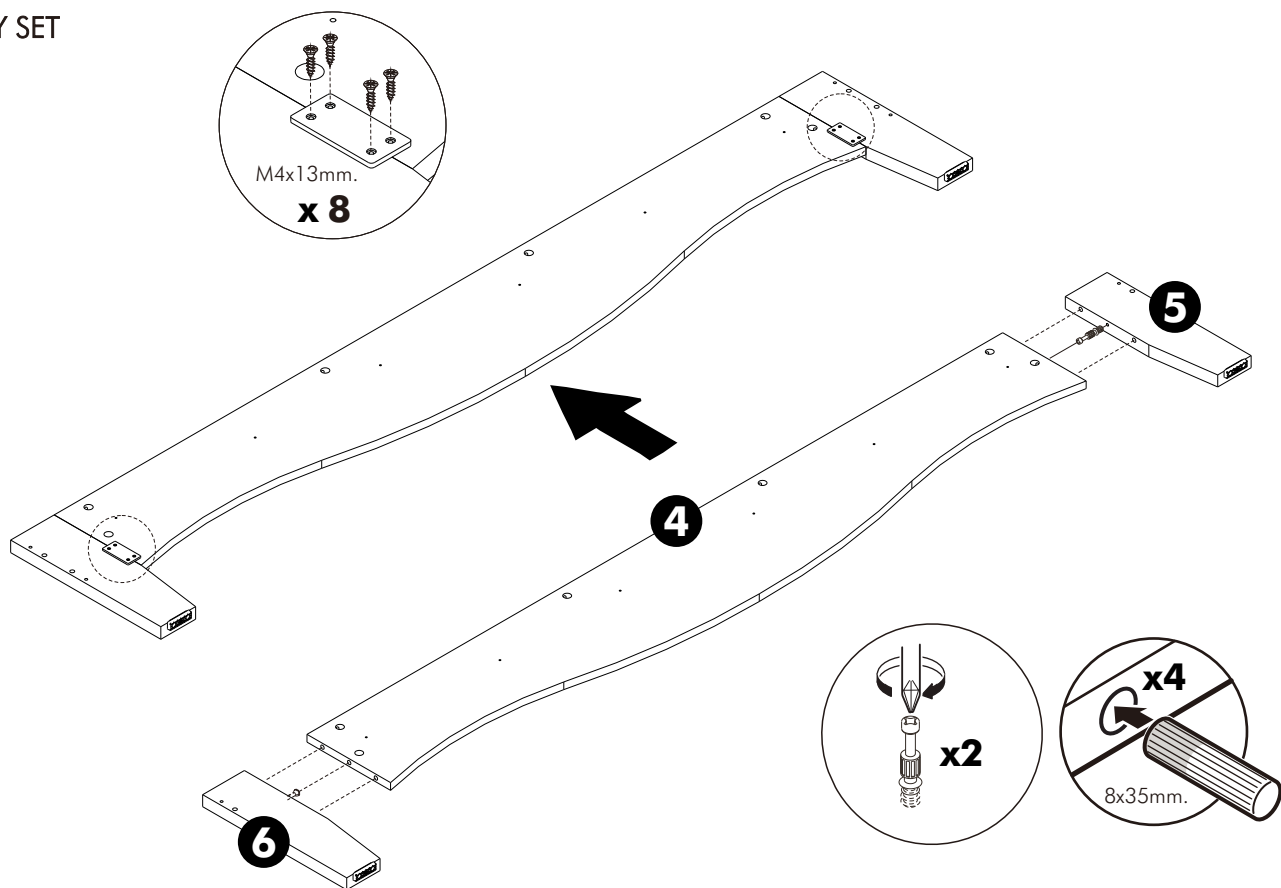
M4x16mm.

x 20

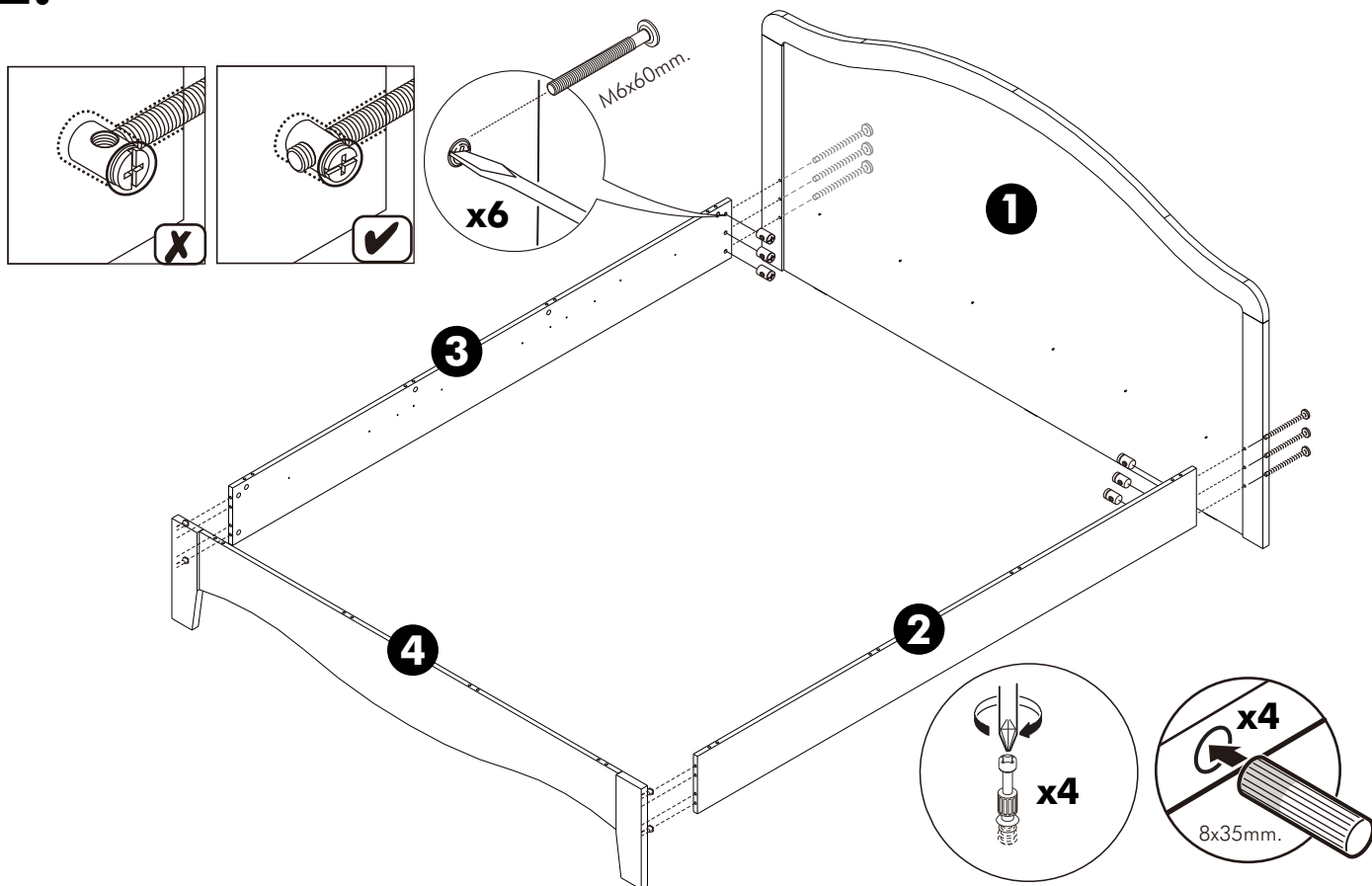
ASSEMBLY

-BODY SET

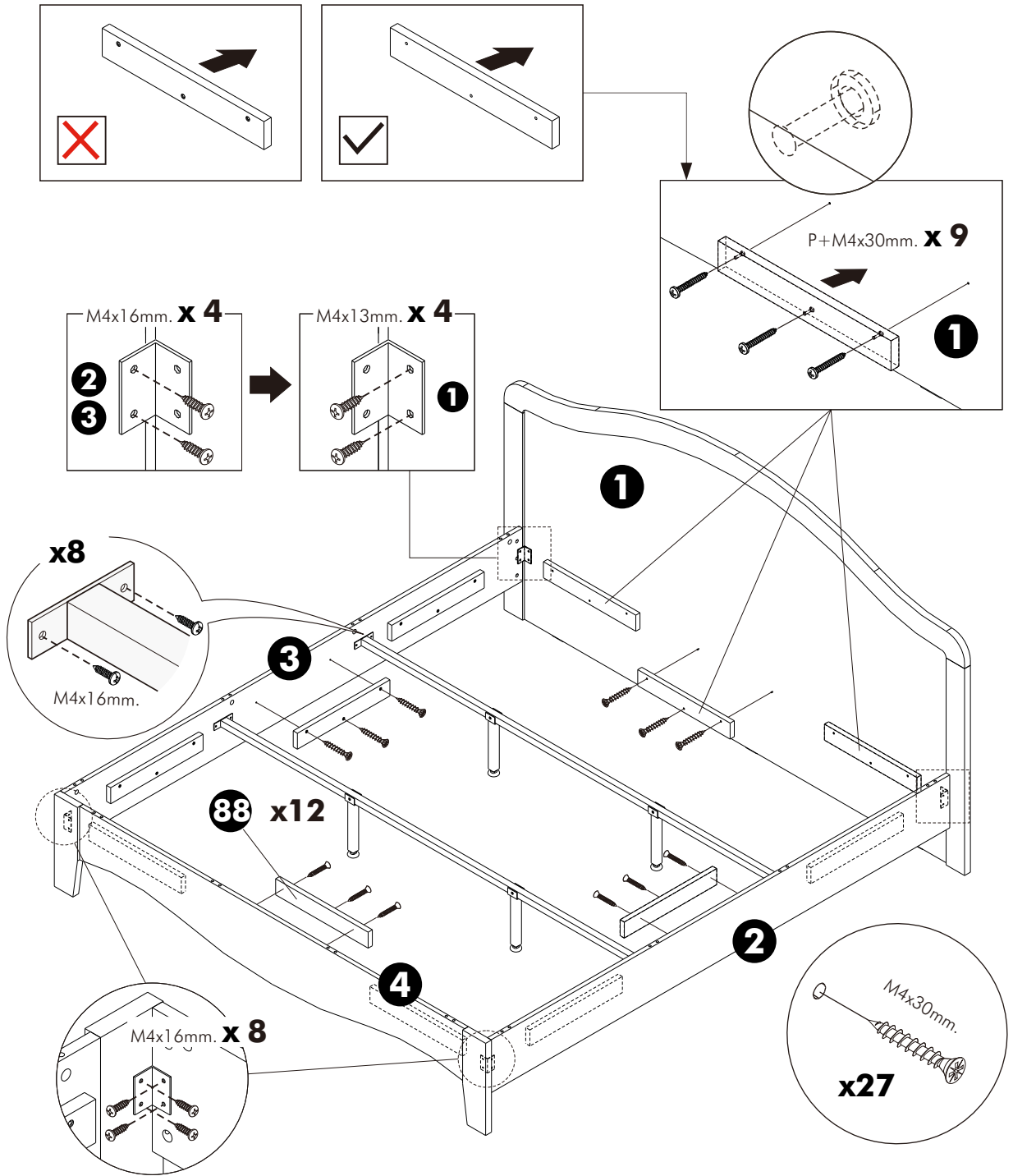
1.



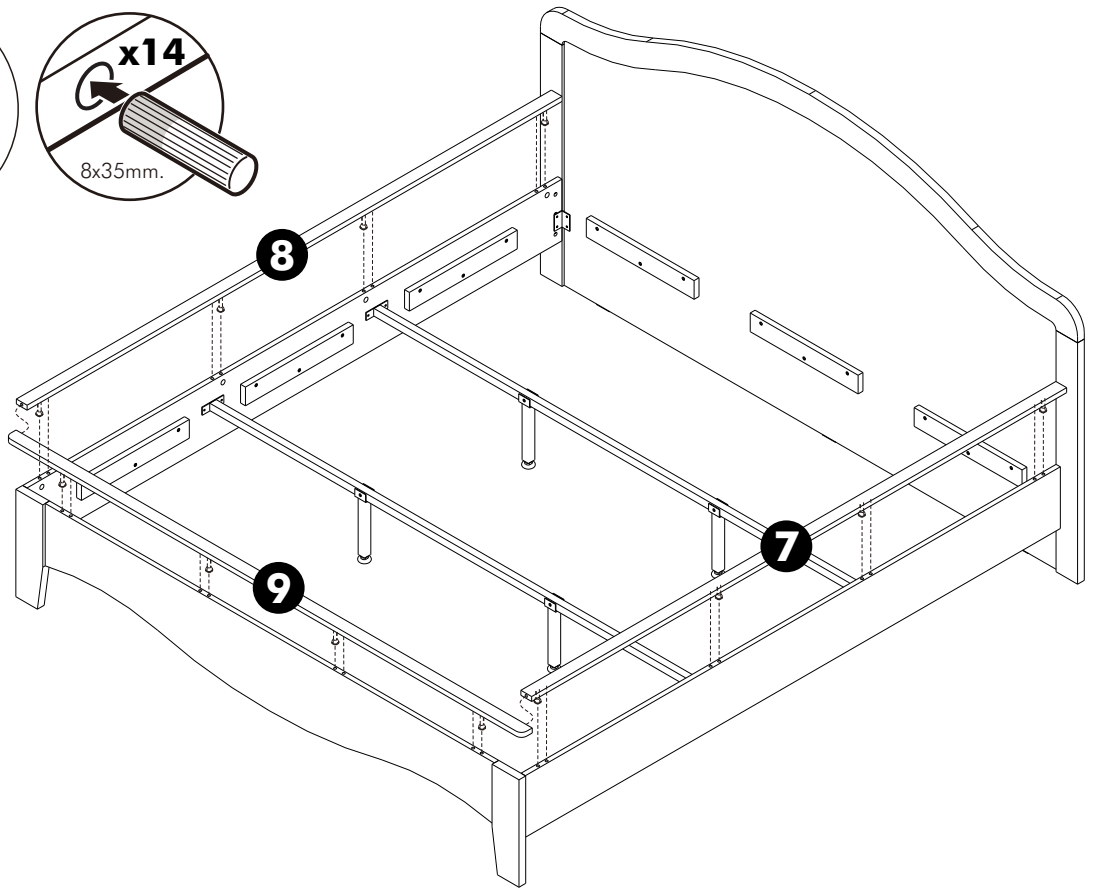
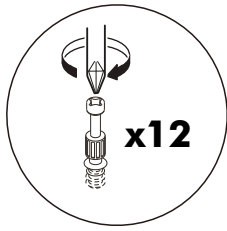
2.



3.



4.



5.

