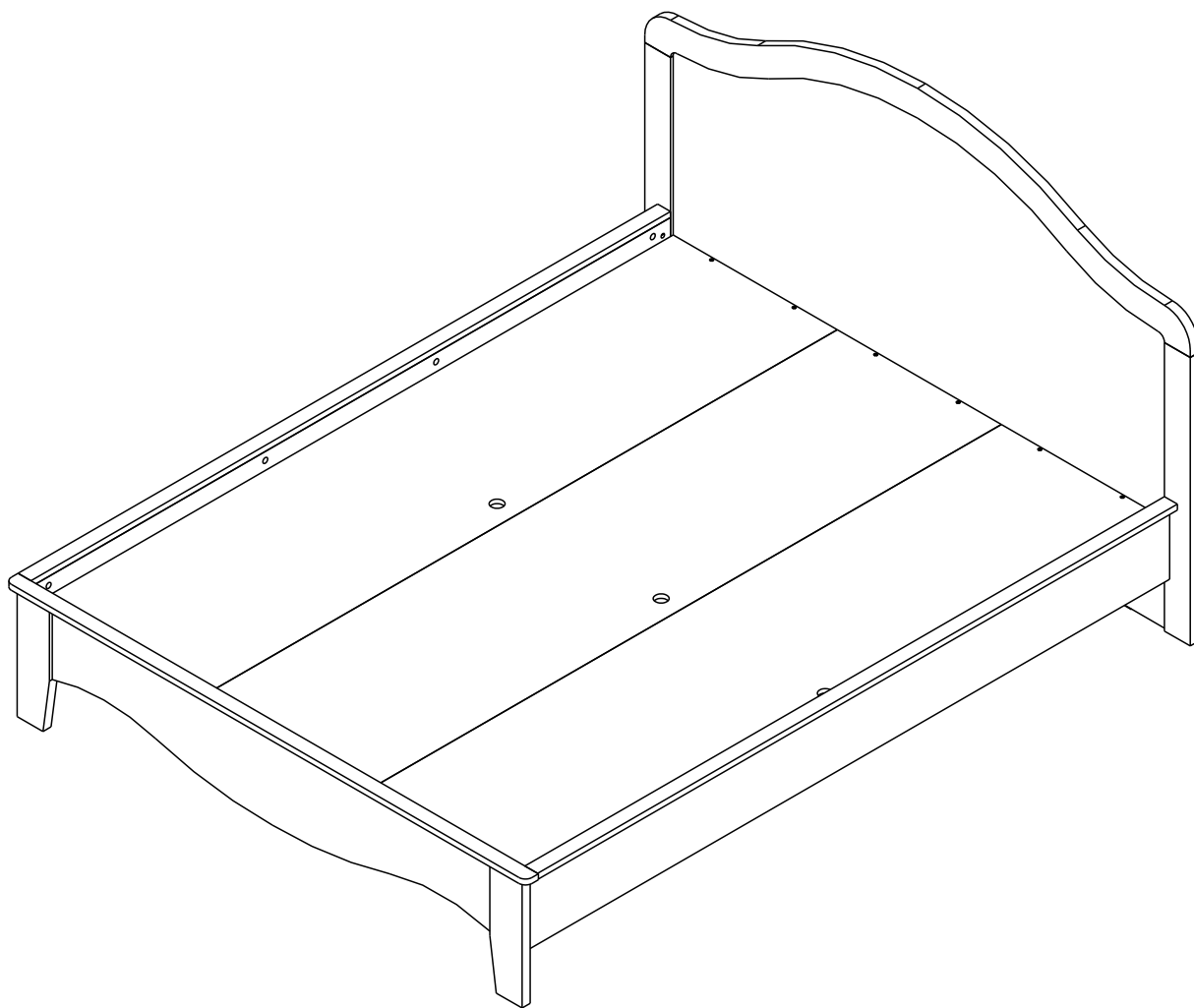


# FLORENCE

**BED 5 ft.**



# CONNECT SYSTEM

**1**

**3**

**2**

(Connecting bolts)

**WHEN FITTING CAMS**  
 ENSURE STARTING POSITION IS CORRECT  
 BEFORE YOU INSERT CONNECTING BOLT  
 TURN CLOCKWISE UNTIL SECURE

✓				✗
	↑ <b>CORRECT</b>	<b>WRONG</b>		

M4x16mm.

**i**

40mm.

EQ

M6x45mm.

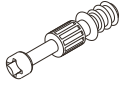
M6

M6

M4x16mm.

# HARDWARE

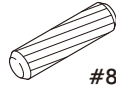
## -BODY SET



**x 18**



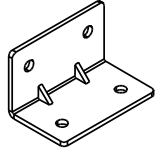
**x 18**



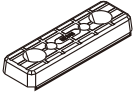
#8x35  
**x 22**



No.1  
**x 3**



**x 4**



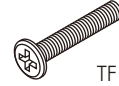
**x 2**



#M6  
**x 4**



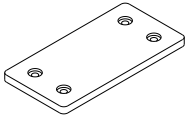
#M6  
**x 4**



TF+M6x45  
**x 4**



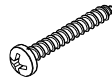
M4x16mm.  
**x 4**



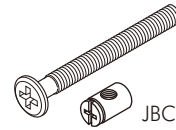
**x 2**



M4x13mm.  
**x 8**



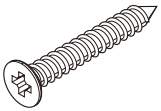
M4x30mm.  
**x 9**



JBC+M6x60  
**x 6**

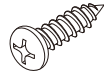


M4x13mm.  
**x 7**



M4x30mm.

**x 39**



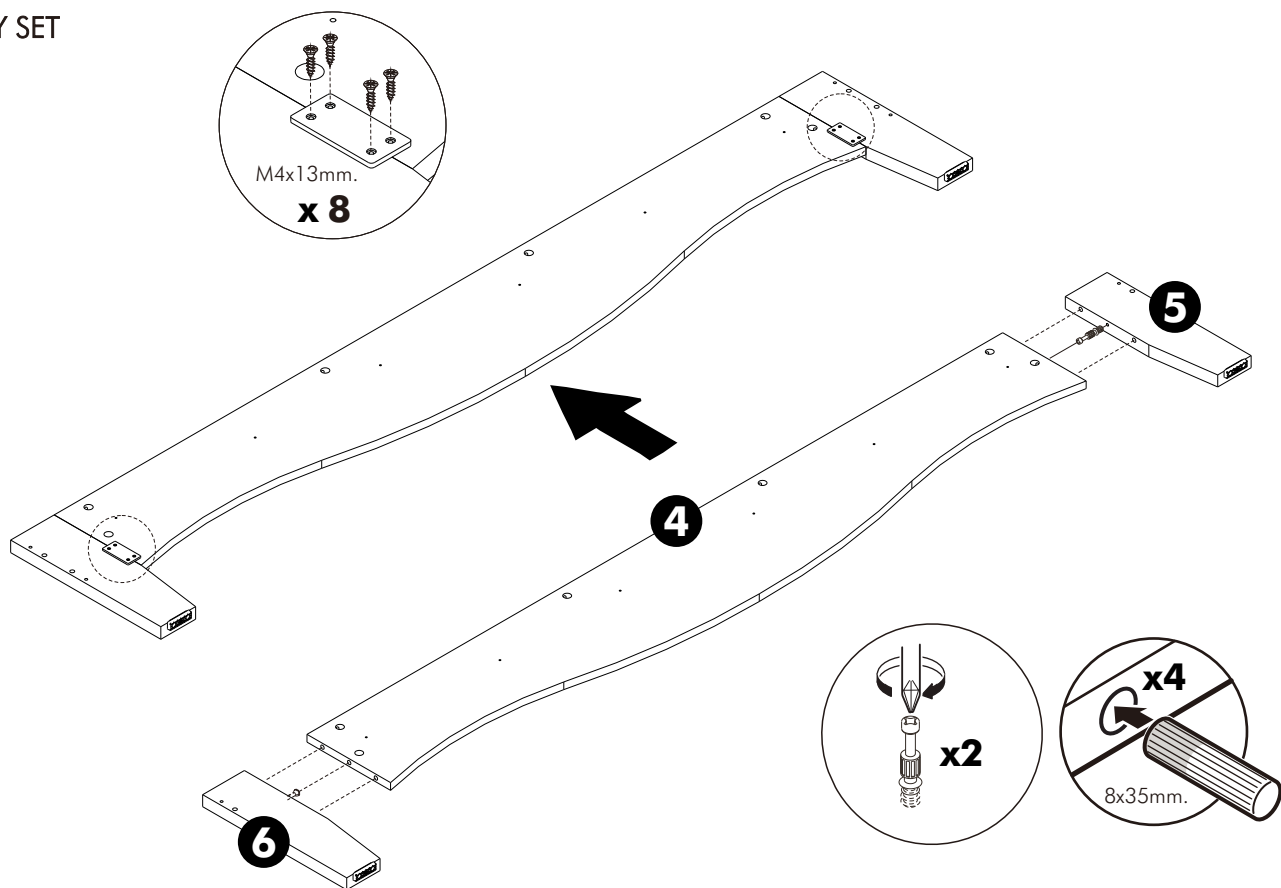
M4x16mm.

**x 20**

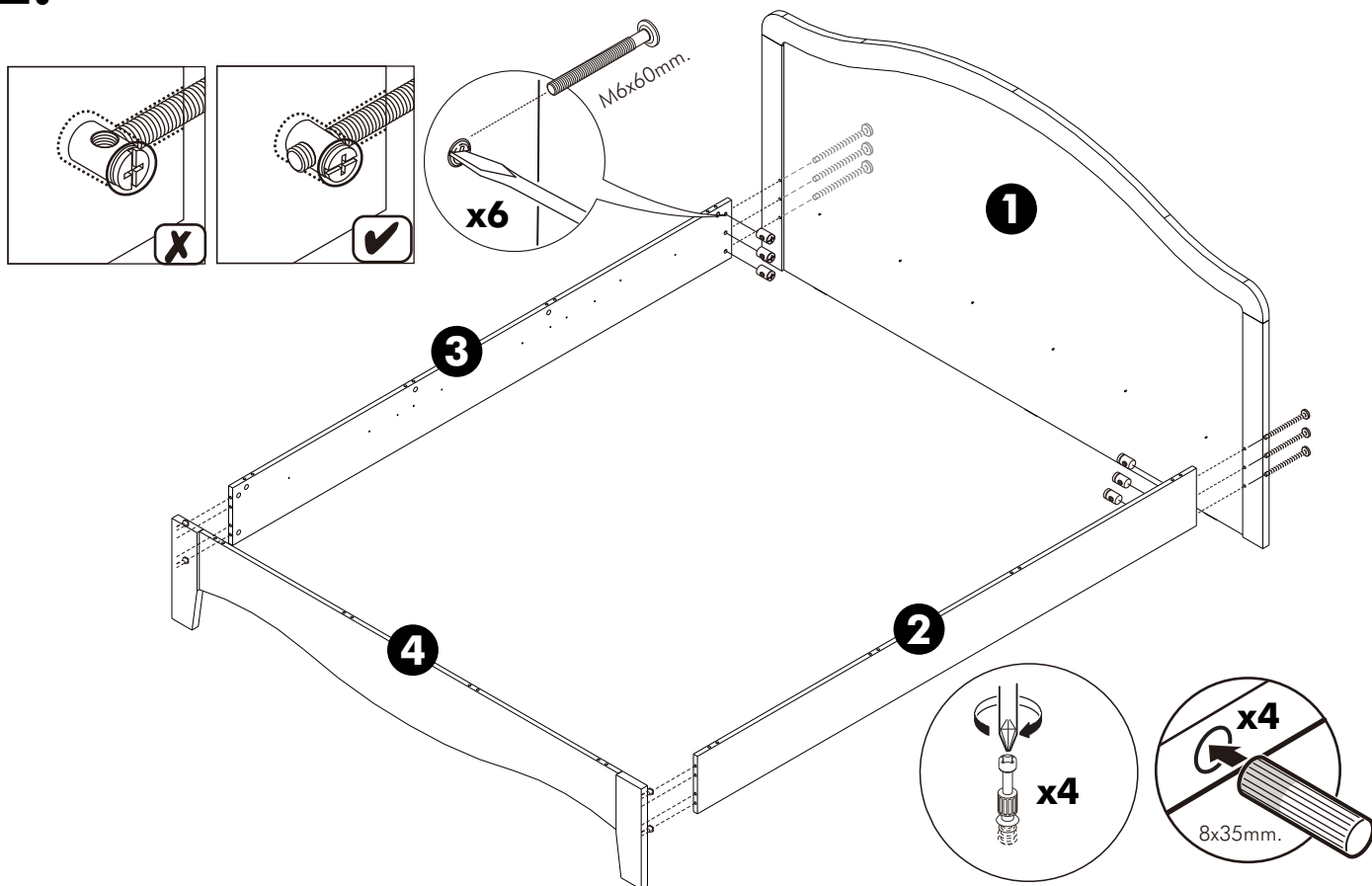
# ASSEMBLY

-BODY SET

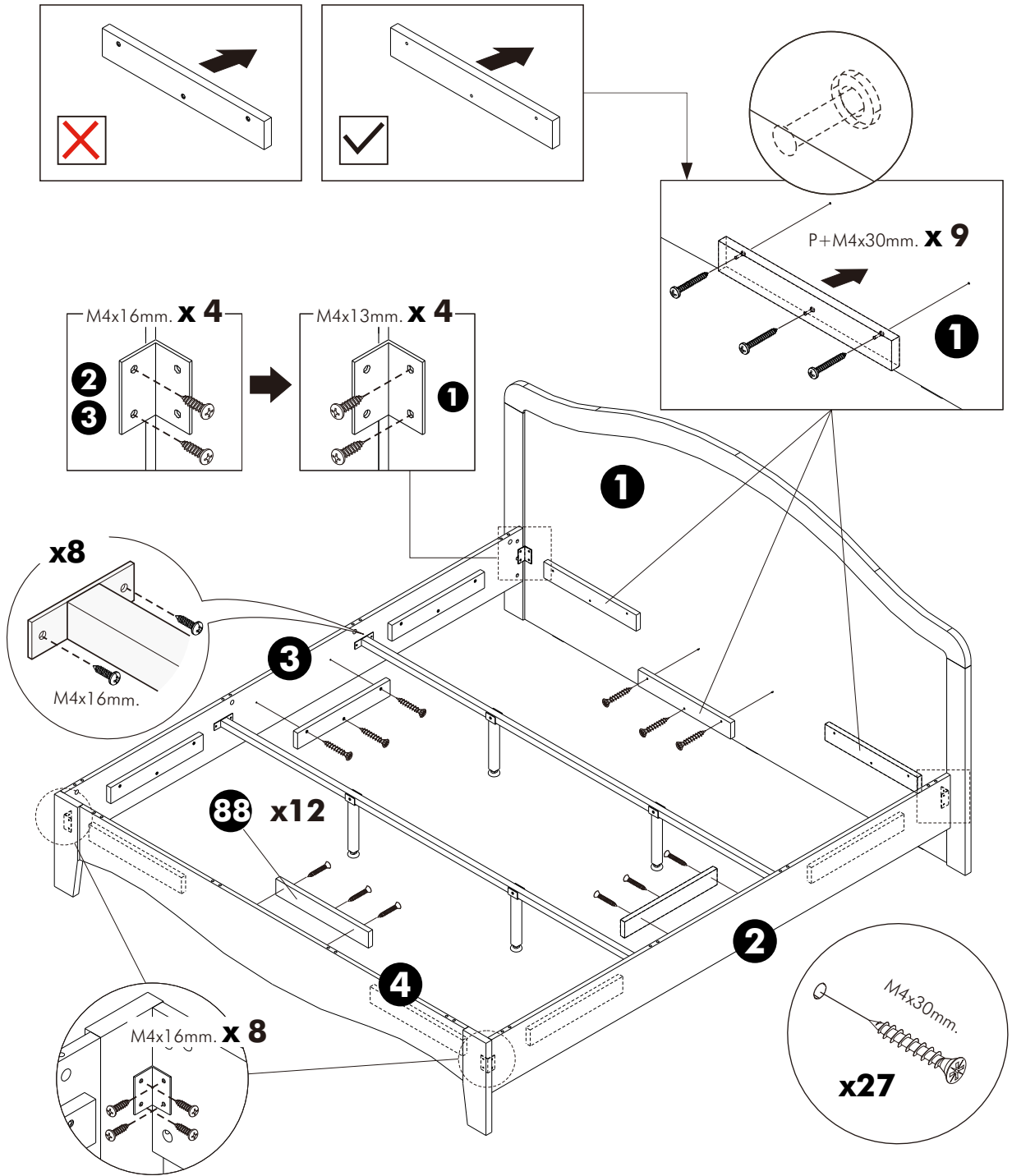
## 1.



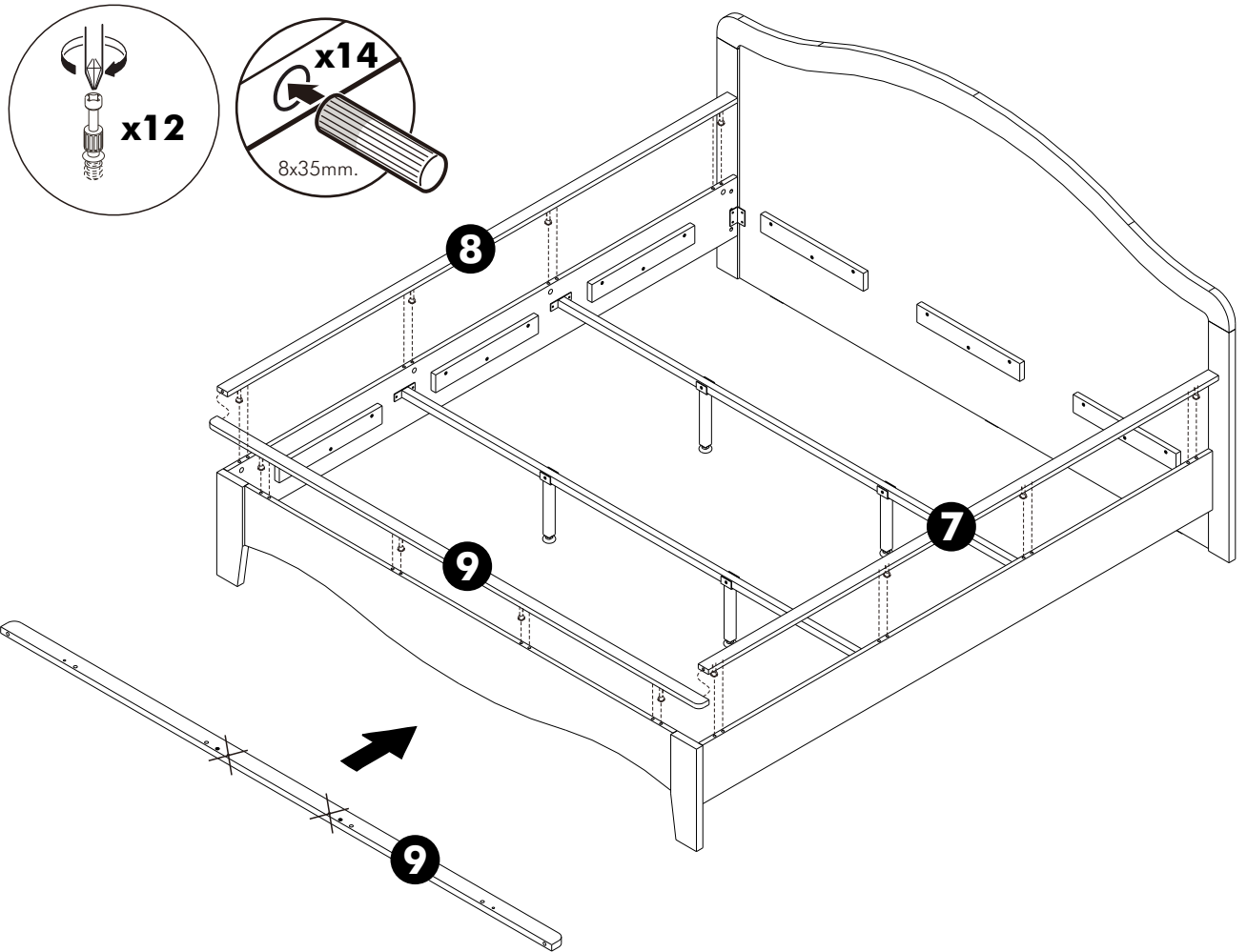
## 2.



# 3.



4.



5.

