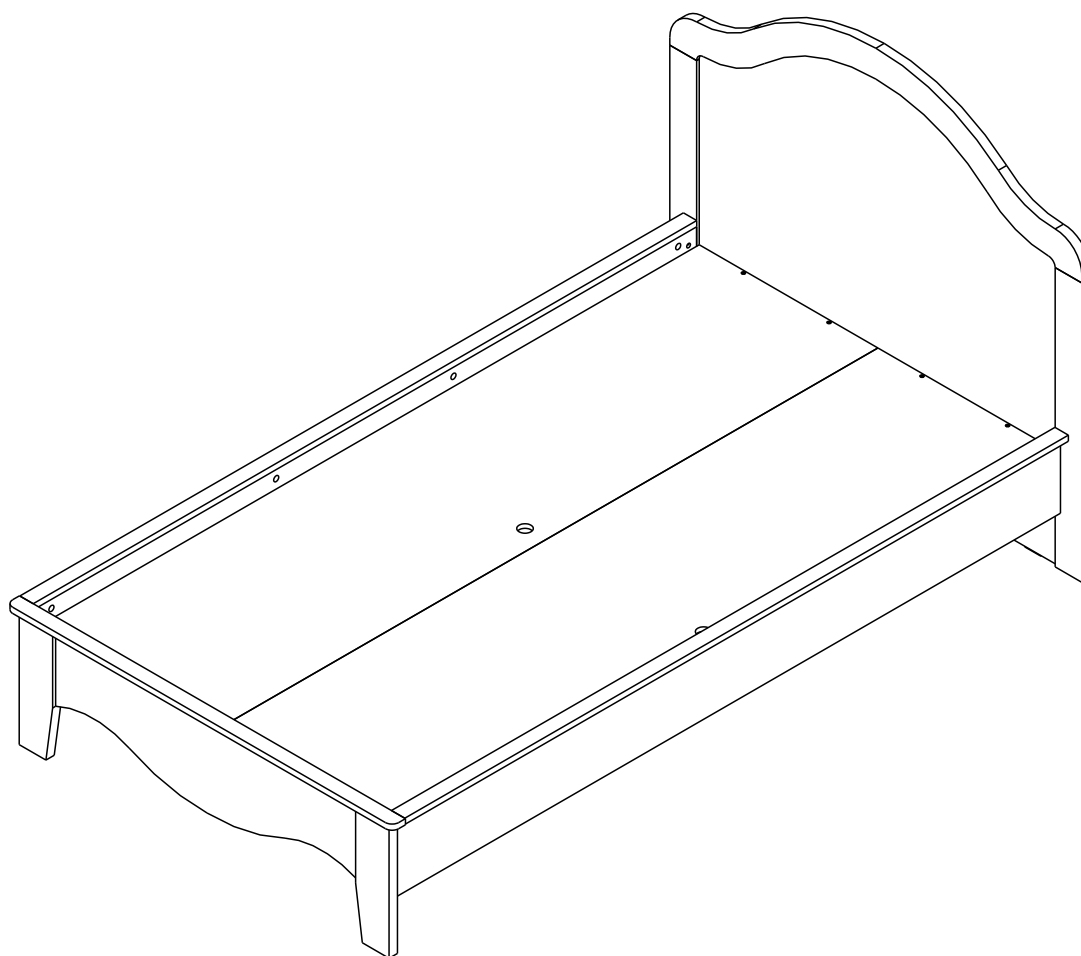


FLORENCE

BED 3.5 ft.



CONNECT SYSTEM

1

3

2

(Connecting bolts)

WHEN FITTING CAMS
 ENSURE STARTING POSITION IS CORRECT
 BEFORE YOU INSERT CONNECTING BOLT
 TURN CLOCKWISE UNTIL SECURE

✓				✗
	↑ CORRECT	WRONG		

M4x16mm.

i

40mm.

EQ

M6x45mm.

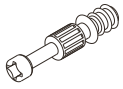
M6

M6

M4x13mm.

HARDWARE

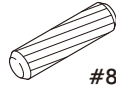
-BODY SET



x 18



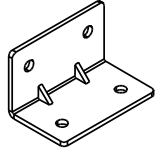
x 18



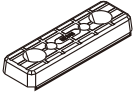
#8x35
x 22



No.1
x 3



x 4



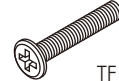
x 2



#M6
x 2



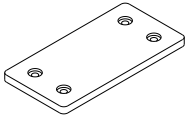
#M6
x 2



TF+M6x45
x 2



M4x16mm.
x 4



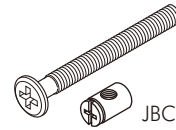
x 2



M4x13mm.
x 8



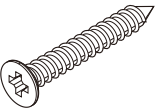
M4x16mm.
x 20



JBC+M6x60
x 6

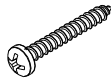


M4x13mm.
x 7



M4x30mm.

x 32



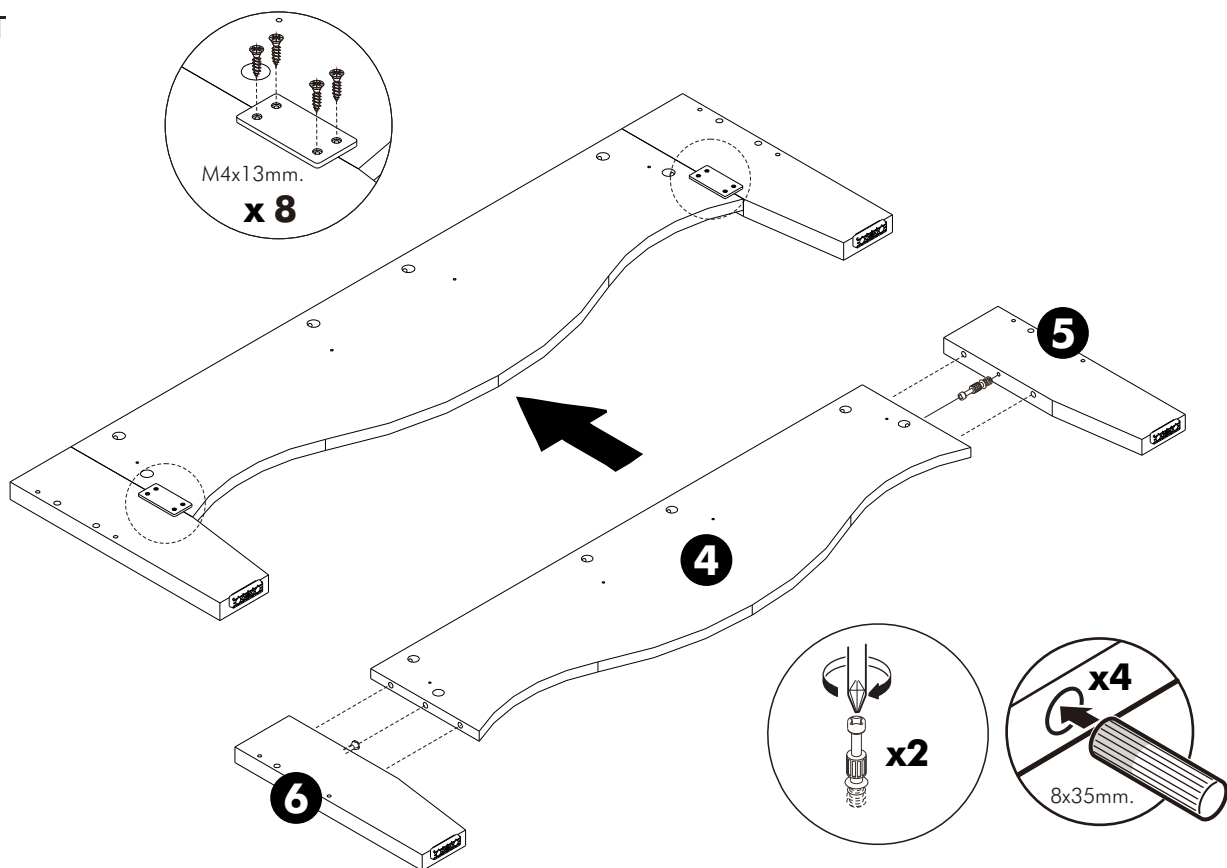
M4x30mm.

x 6

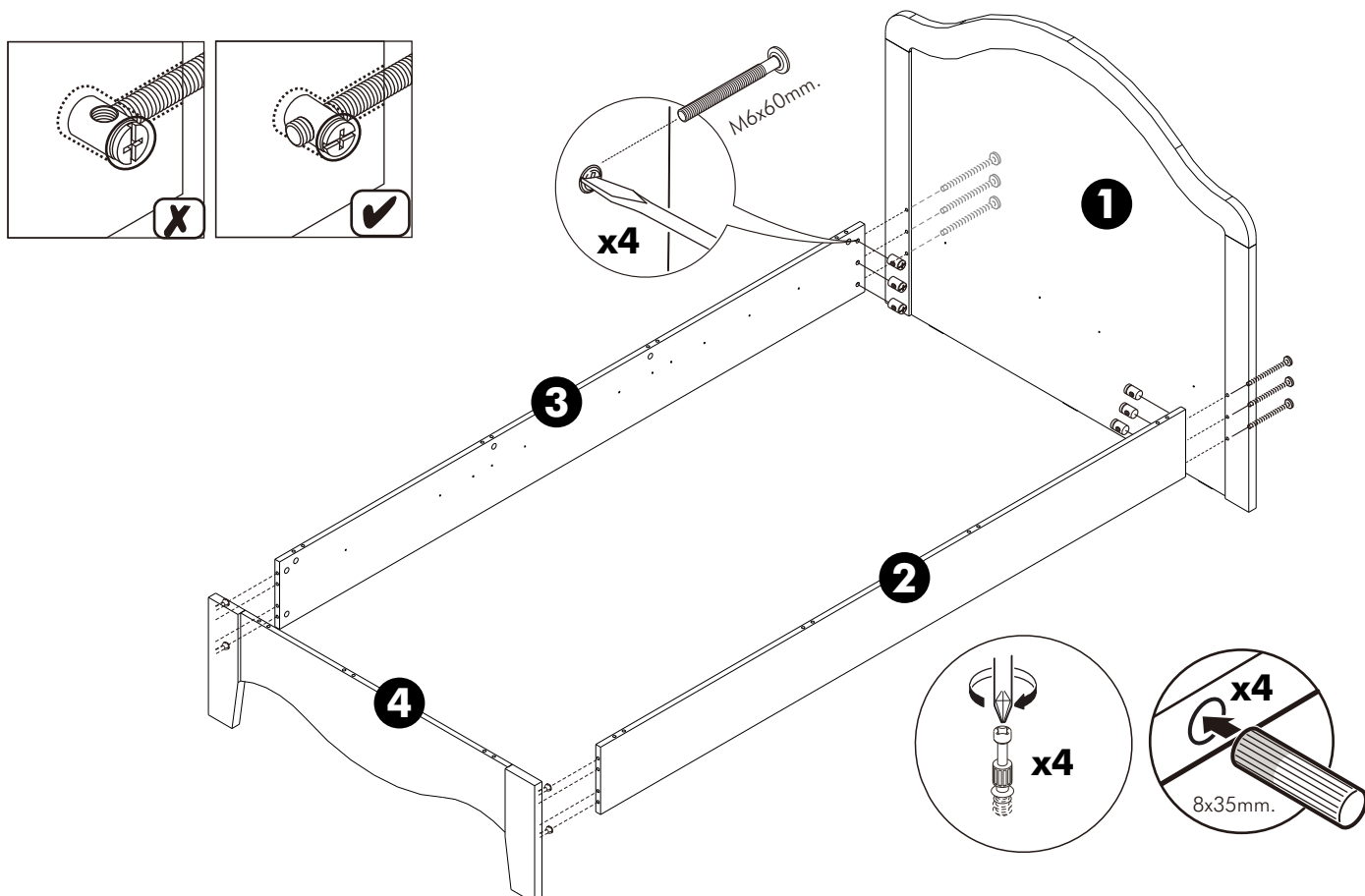
ASSEMBLY

-BODY SET

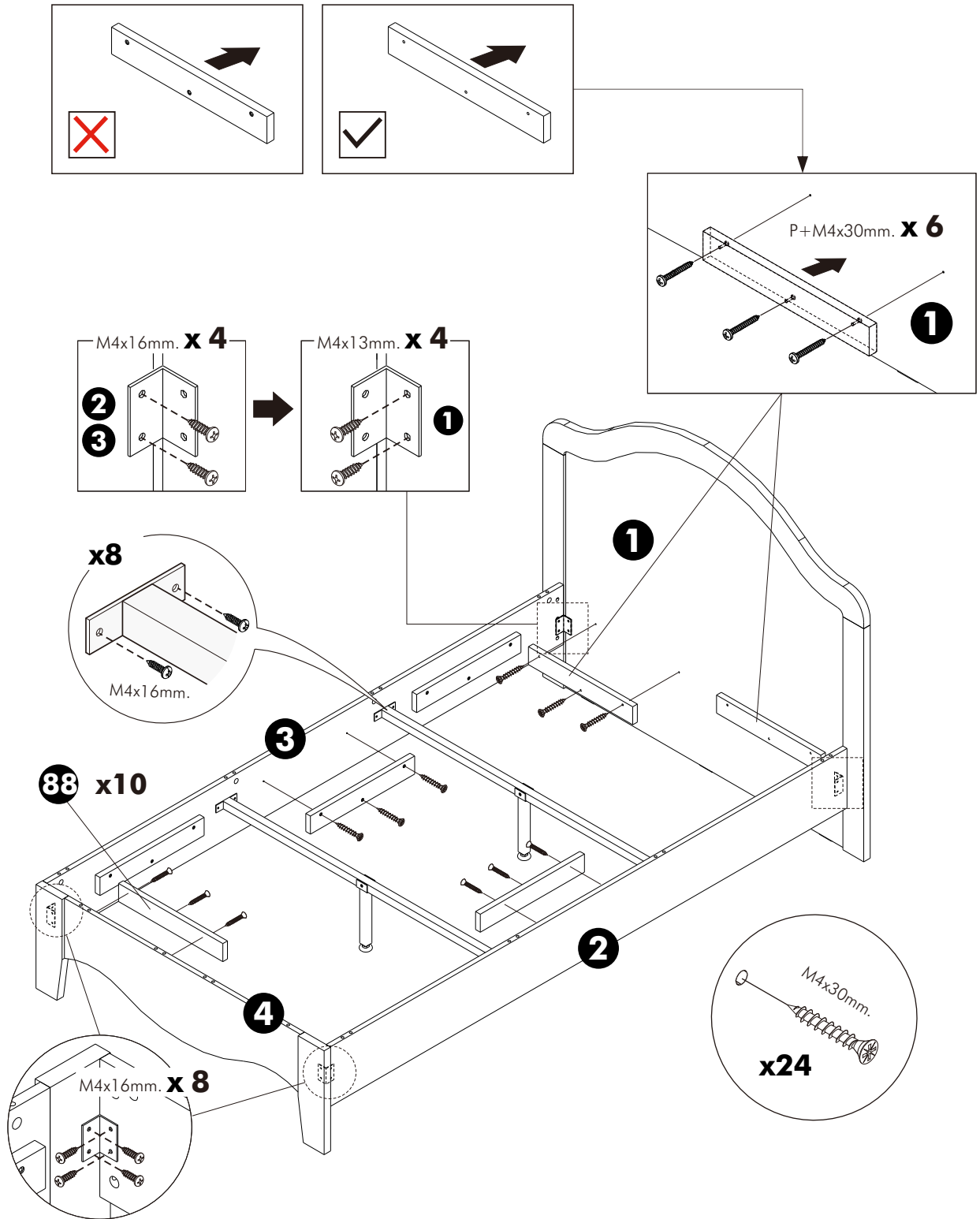
1.



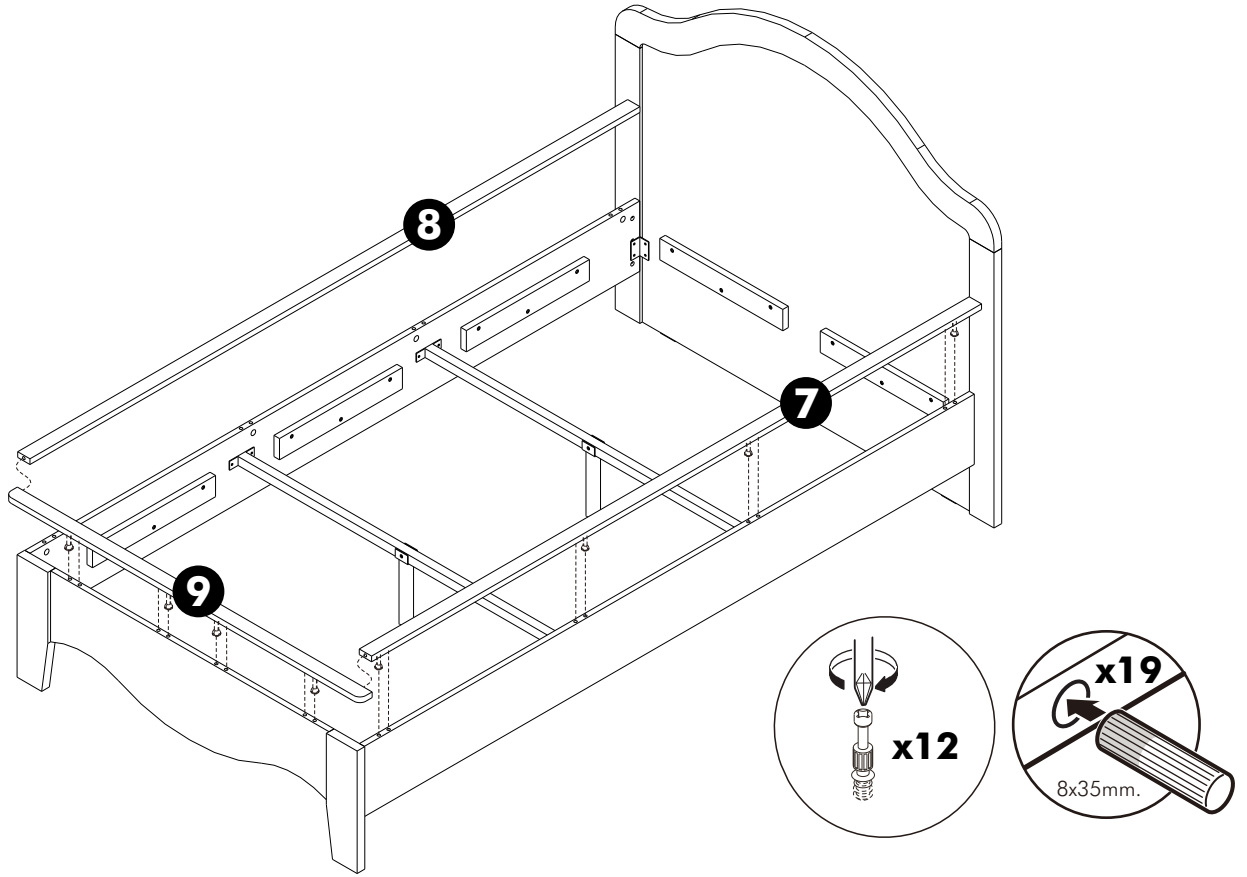
2.



3.



4.



5.

