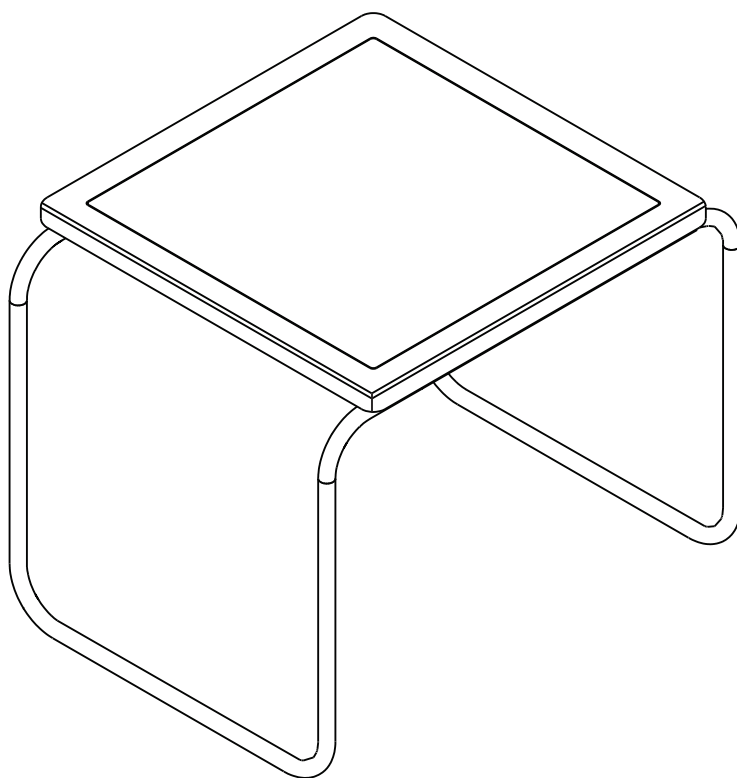


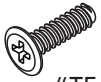
ASAHIKAWA

Side table



HARDWARE

-BODY SET



#TF+M6x15

x 8



#M6

x 8



x 4



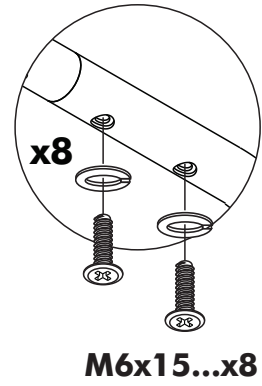
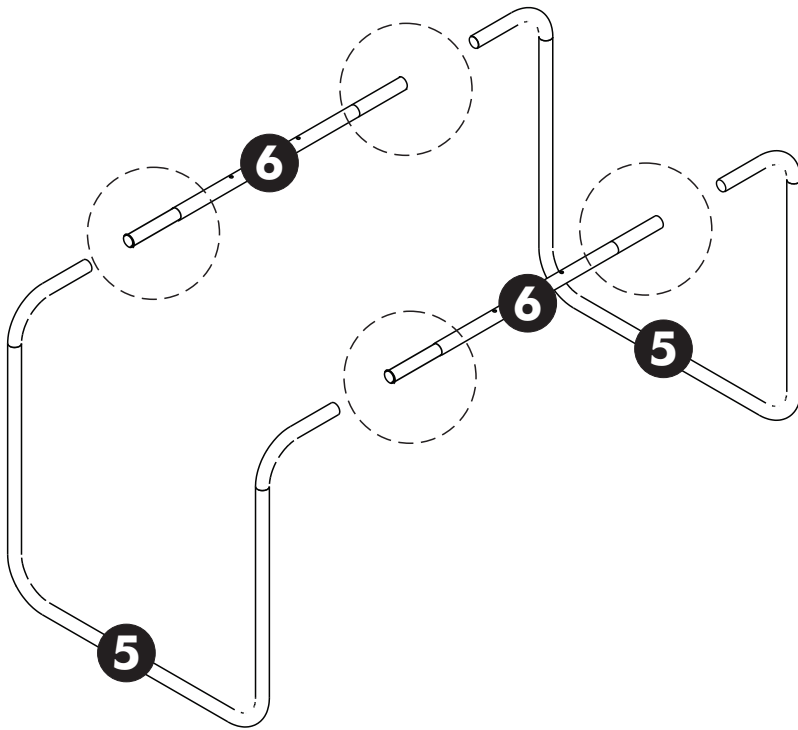
#M4x35mm.

x 4

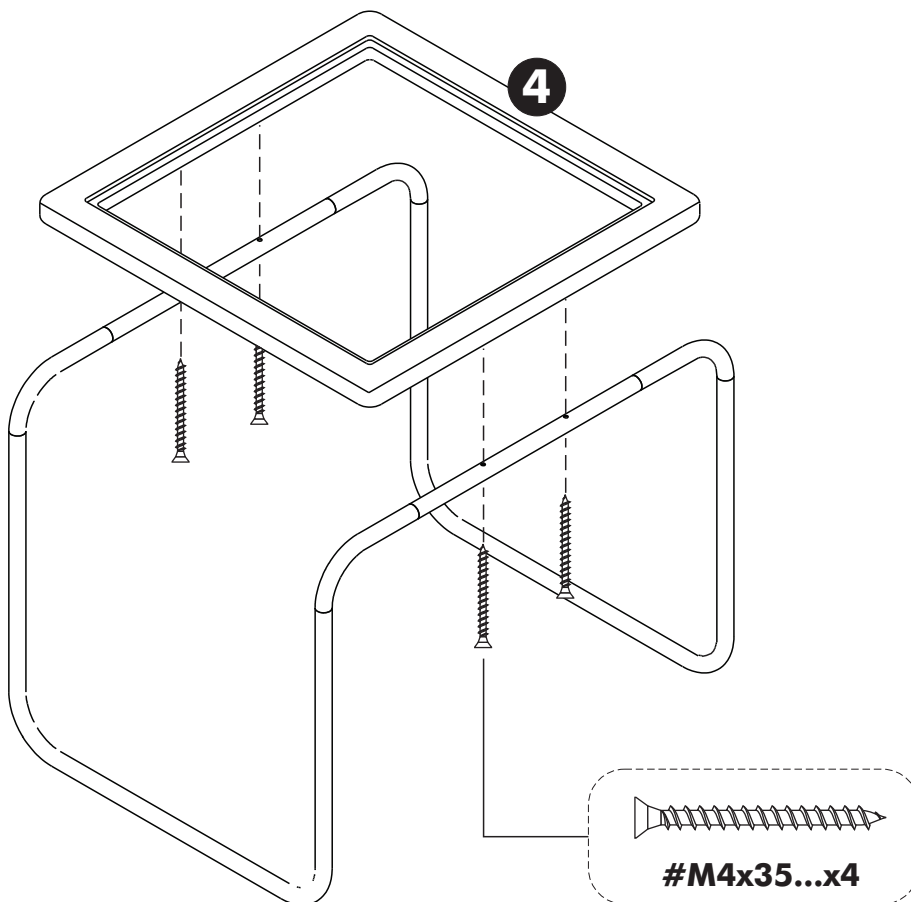
ASSEMBLY

-BODY SET

1.



2.



3.

