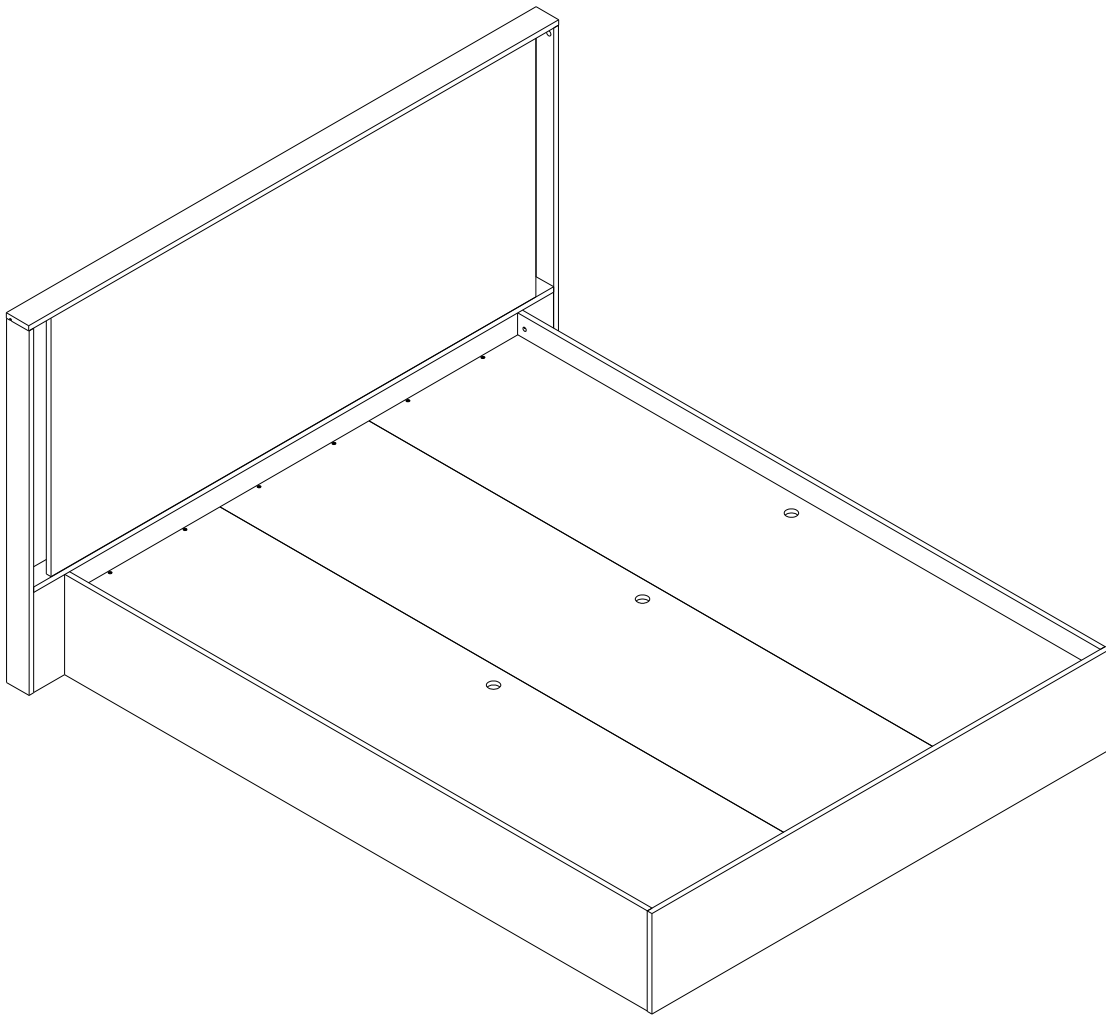


# VALUX

**BED 5 ft.**

**BED 6 ft.**



# CONNECT SYSTEM

**1**

**3**

**WHEN FITTING CAMS**

ENSURE STARTING POSITION IS CORRECT  
BEFORE YOU INSERT CONNECTING BOLT  
TURN CLOCKWISE UNTIL SECURE

✓					✗
↑					
<b>CORRECT</b>		<b>WRONG</b>			

**2**

(Connecting bolts)

M4x16mm.

**i**

40mm.

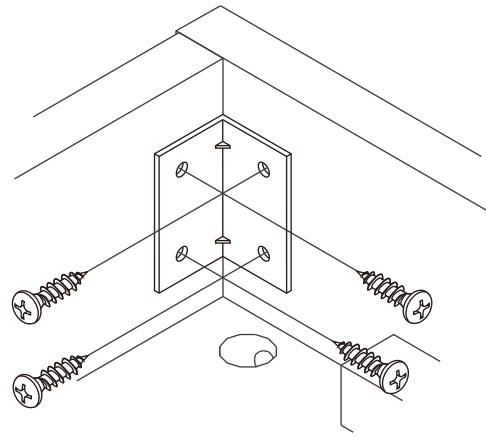
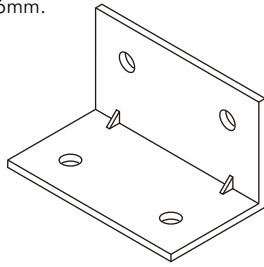
EQ

M6x45mm.

M6

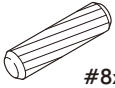
M6

M4x16mm.



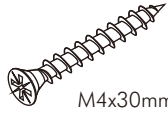
# HARDWARE

## -BODY SET



#8x35

**x 8**



M4x30mm.

**x 48**

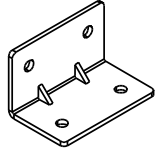


**x 2**

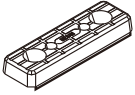


M4x16mm.

**x 43**



**x 8**



**x 9**



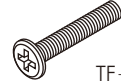
#M6

**x 4**



#M6

**x 4**



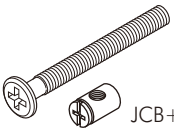
TF+M6x45

**x 4**



M4x16mm.

**x 18**



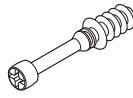
JCB+M6x60

**x 4**



No.1

**x 3**



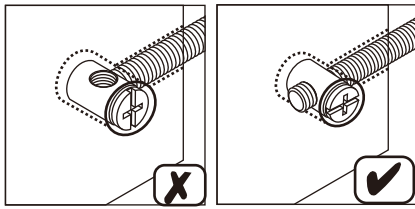
**x 4**



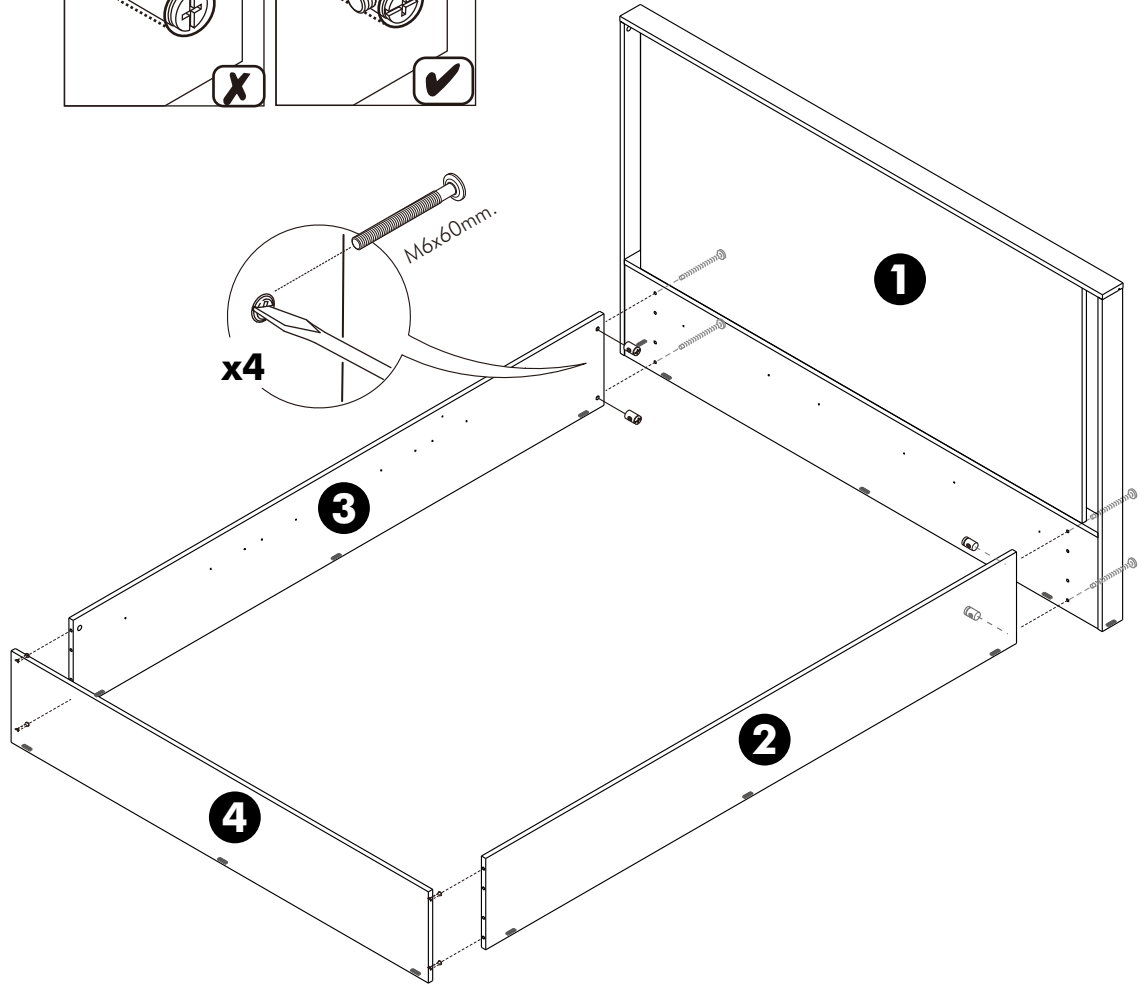
**x 4**

# ASSEMBLY

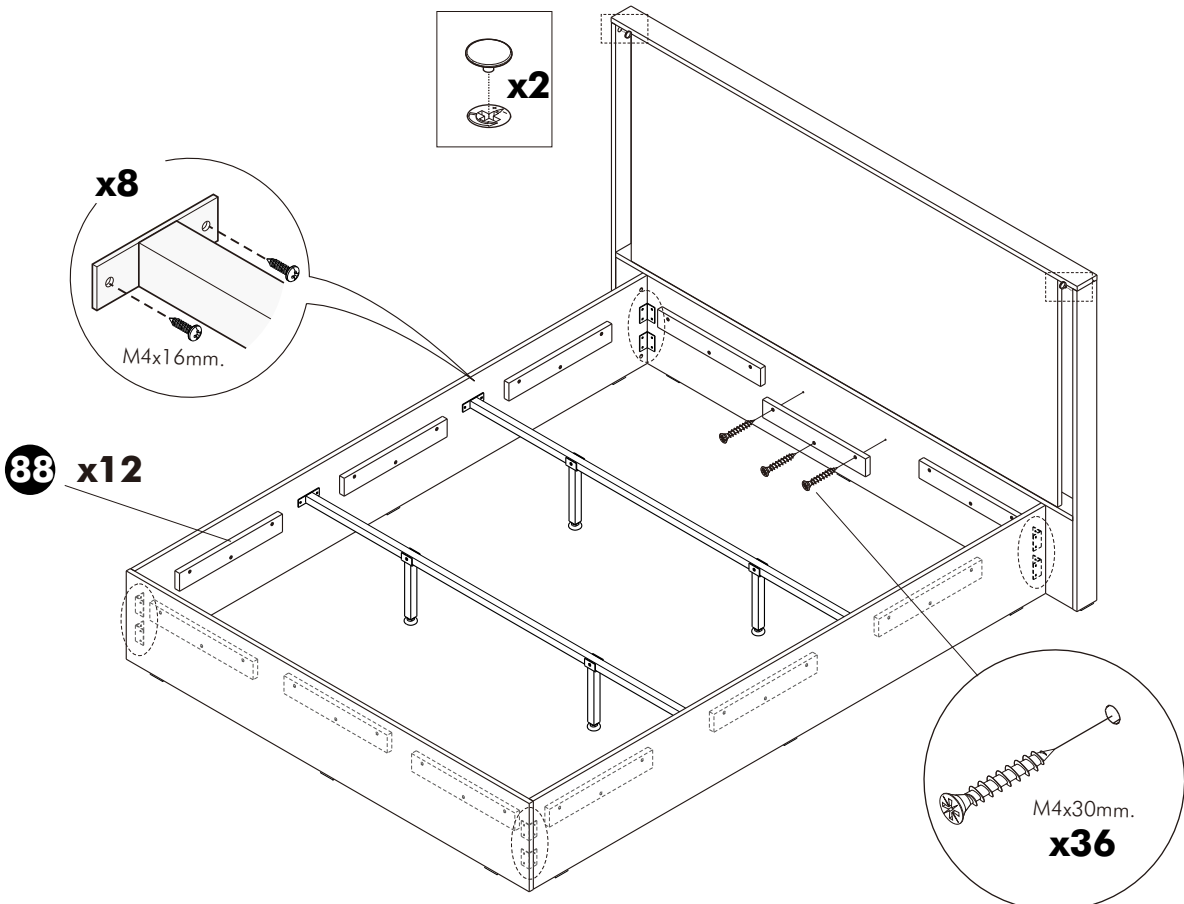
-BODY SET



# 1.



# 2.



**3.**

