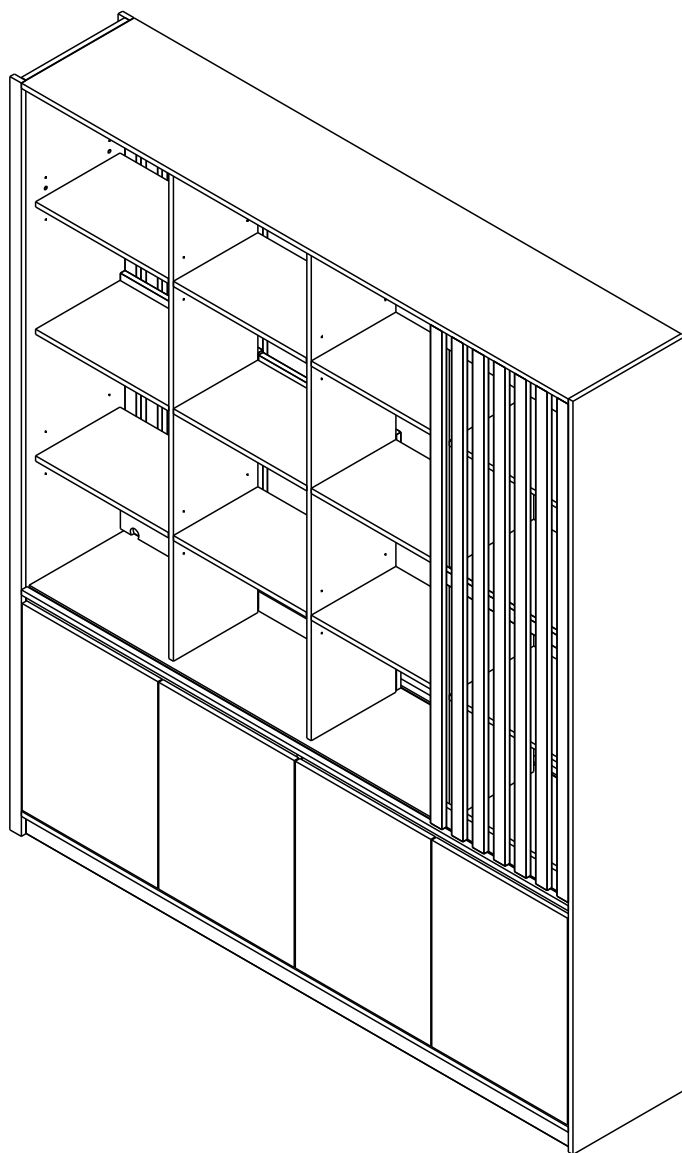


# SHISUOKA

SHIZUOKA Divider shelf+Dr 198 cm.



# CONNECT SYSTEM

**1**

**3**

**2**

(Connecting bolts)

**WHEN FITTING CAMS**  
 ENSURE STARTING POSITION IS CORRECT  
 BEFORE YOU INSERT CONNECTING BOLT  
 TURN CLOCKWISE UNTIL SECURE

✓				✗
↑				
<b>CORRECT</b>		<b>WRONG</b>		

M4x16mm.

**i**

40mm.

☹

☒

EQ

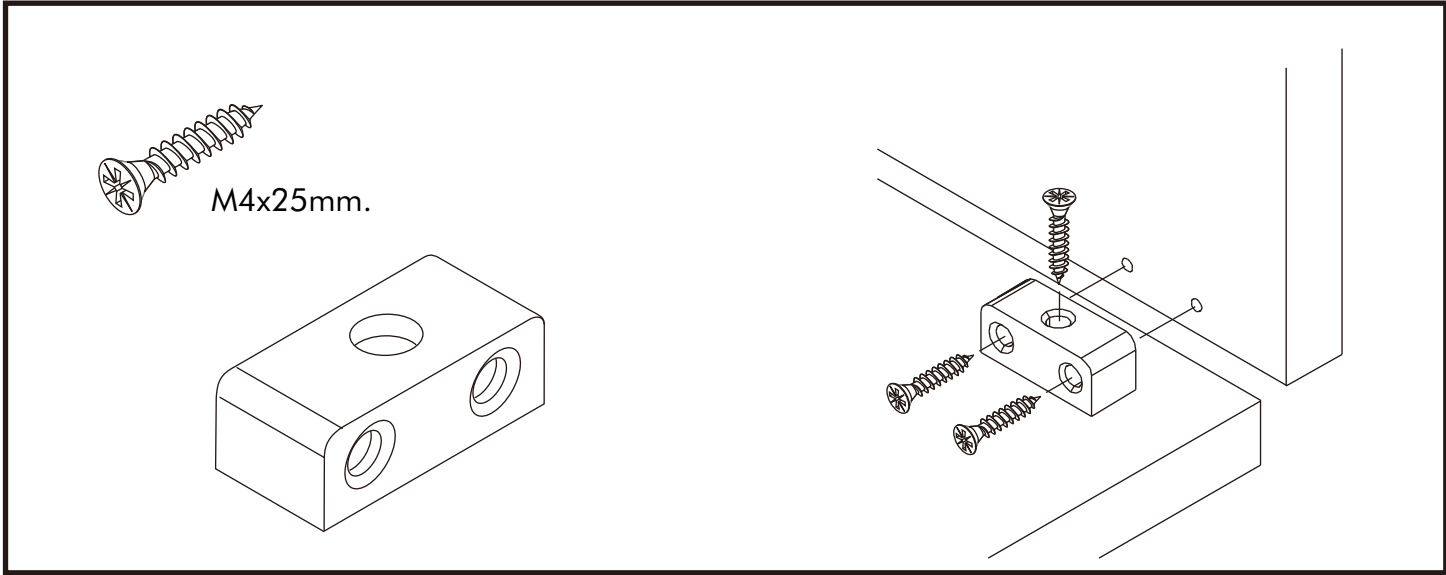
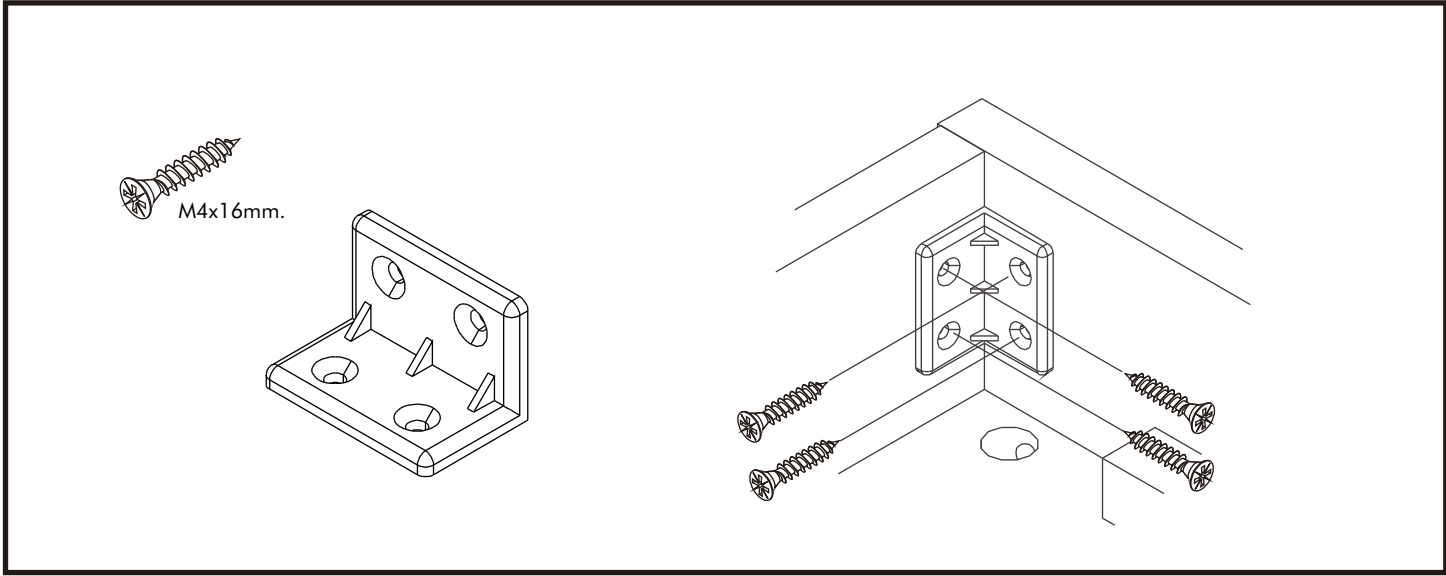
☺

☑

M4x16mm.

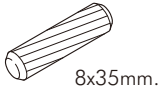
**DOOR PANEL**

# CONNECT SYSTEM



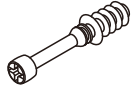
# HARDWARE

## -BODY SET



8x35mm.

**x 66**



**x 34**

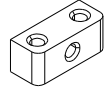


**x 34**

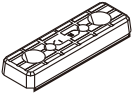


M4x16mm.

**x 152**



**x 2**



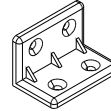
**x 20**



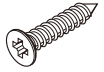
**x 26**



∅ 11mm.  
**x 4**



**x 28**



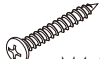
M4x25mm.

**x 6**



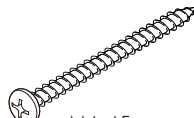
Mx4x50mm.

**x 26**



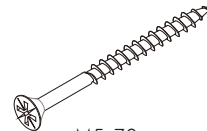
M4x30mm.

**x 4**



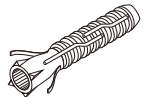
M4x45mm.

**x 16**



M5x70mm.

**x 4**



**x 4**



**x 48**



M4x13mm.

**x 48**

## -DOOR SET



**x 4**



**x 4**



6x1/2"

**x 8**

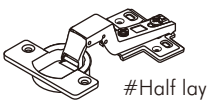


**x 16**



#In lay

**x 8**



#Half lay

**x 8**



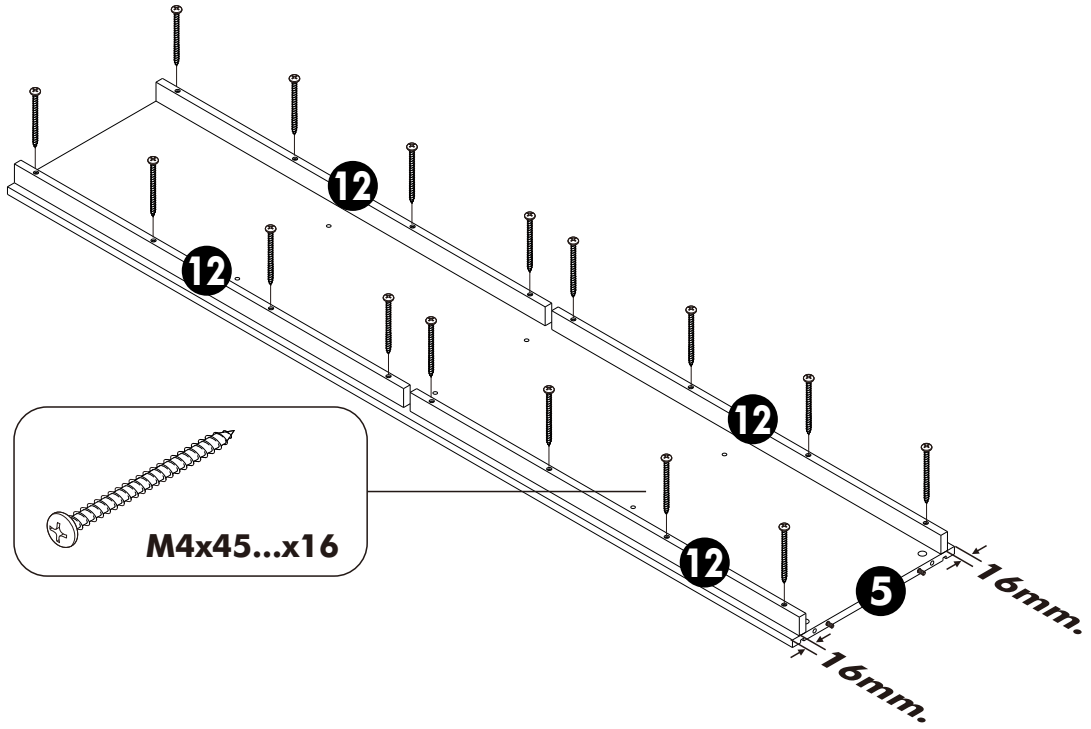
M4x16mm.

**x 96**

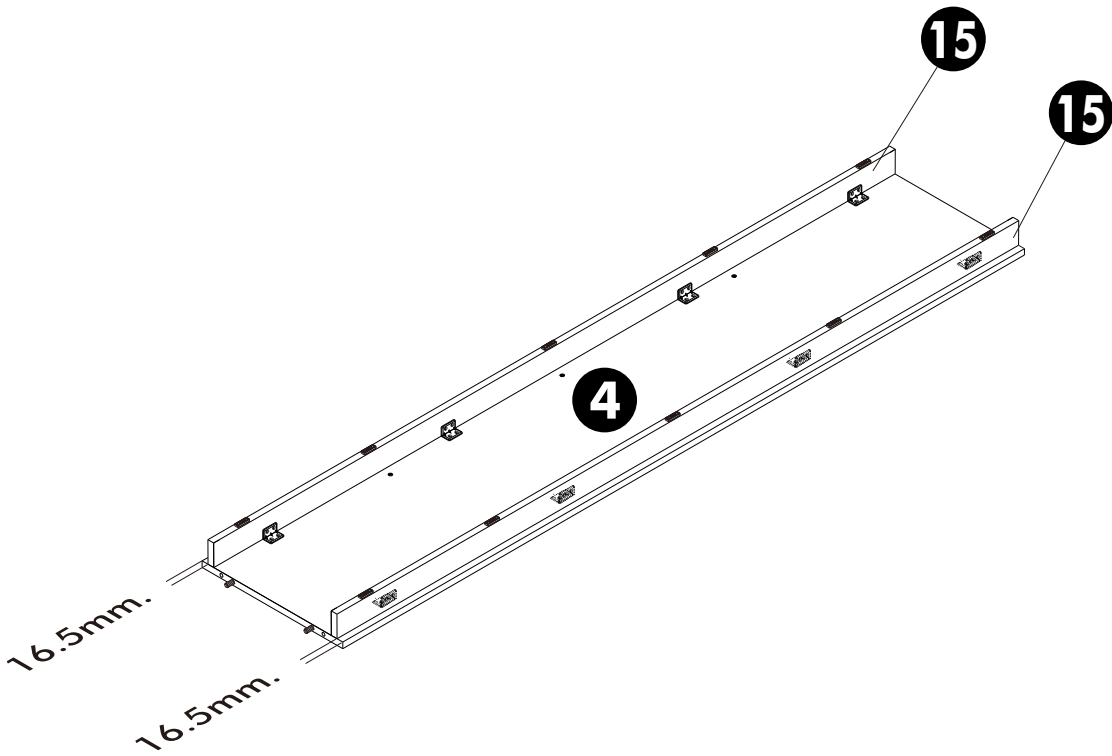
# ASSEMBLY

-BODY SET

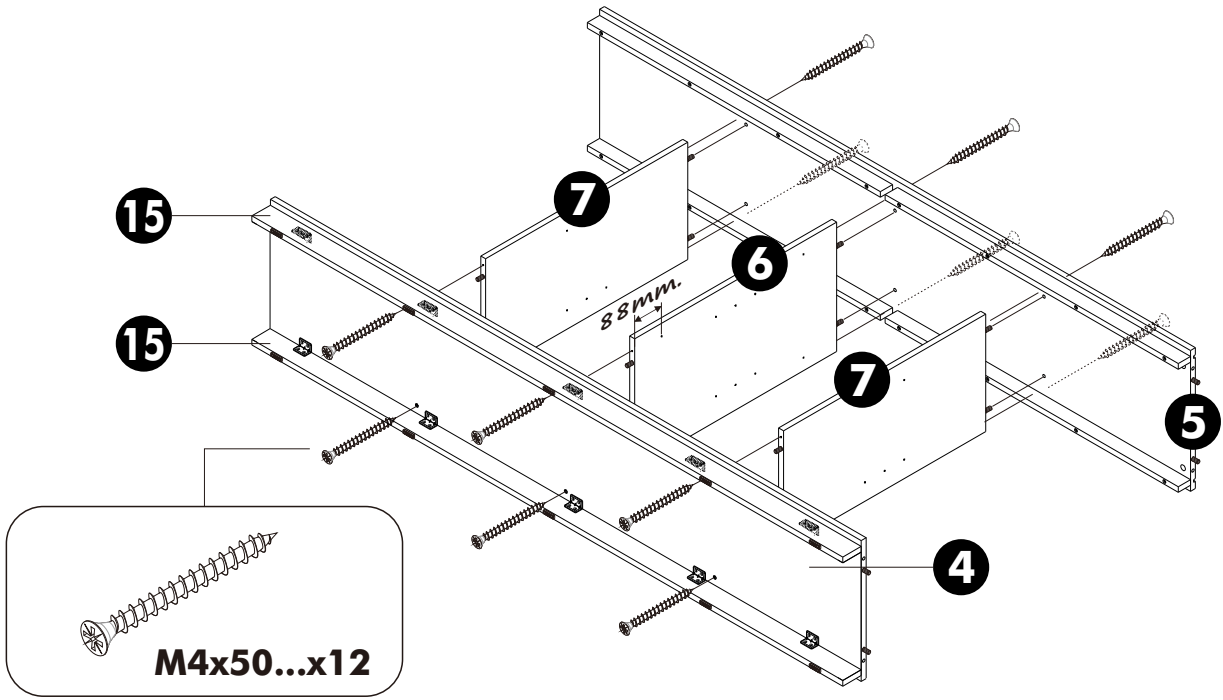
1.



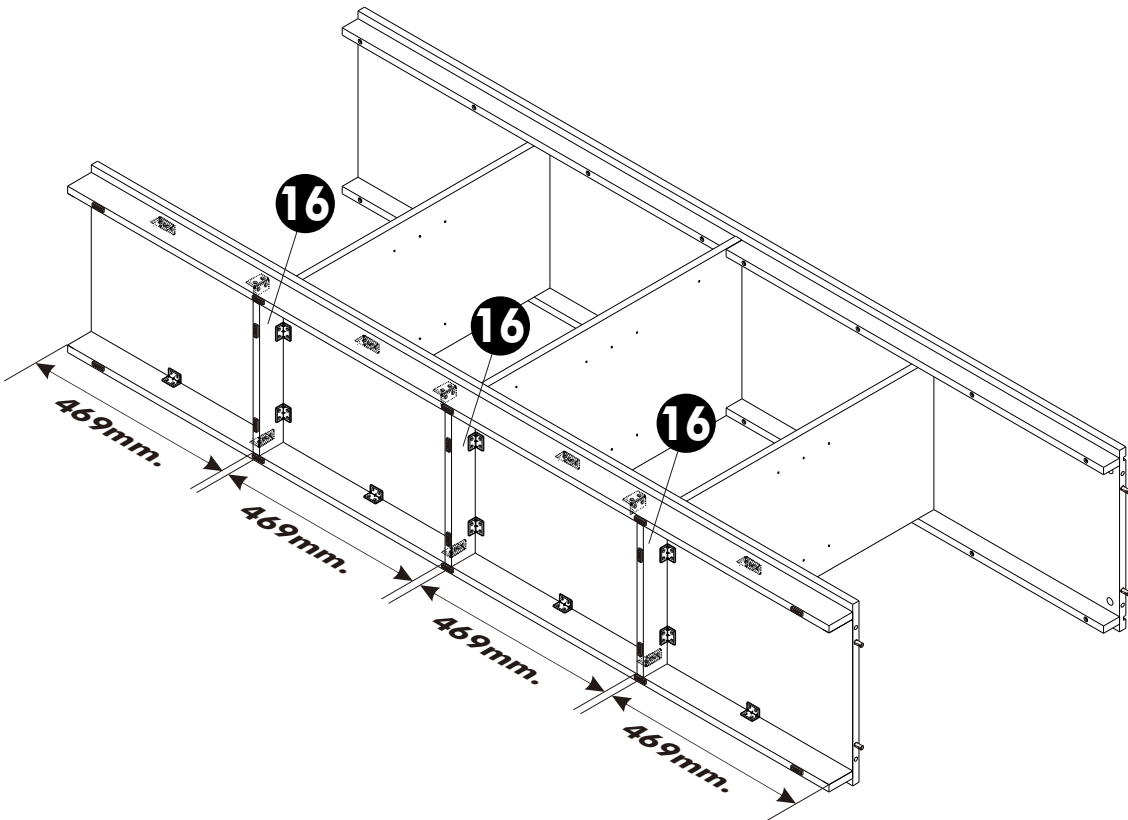
2.



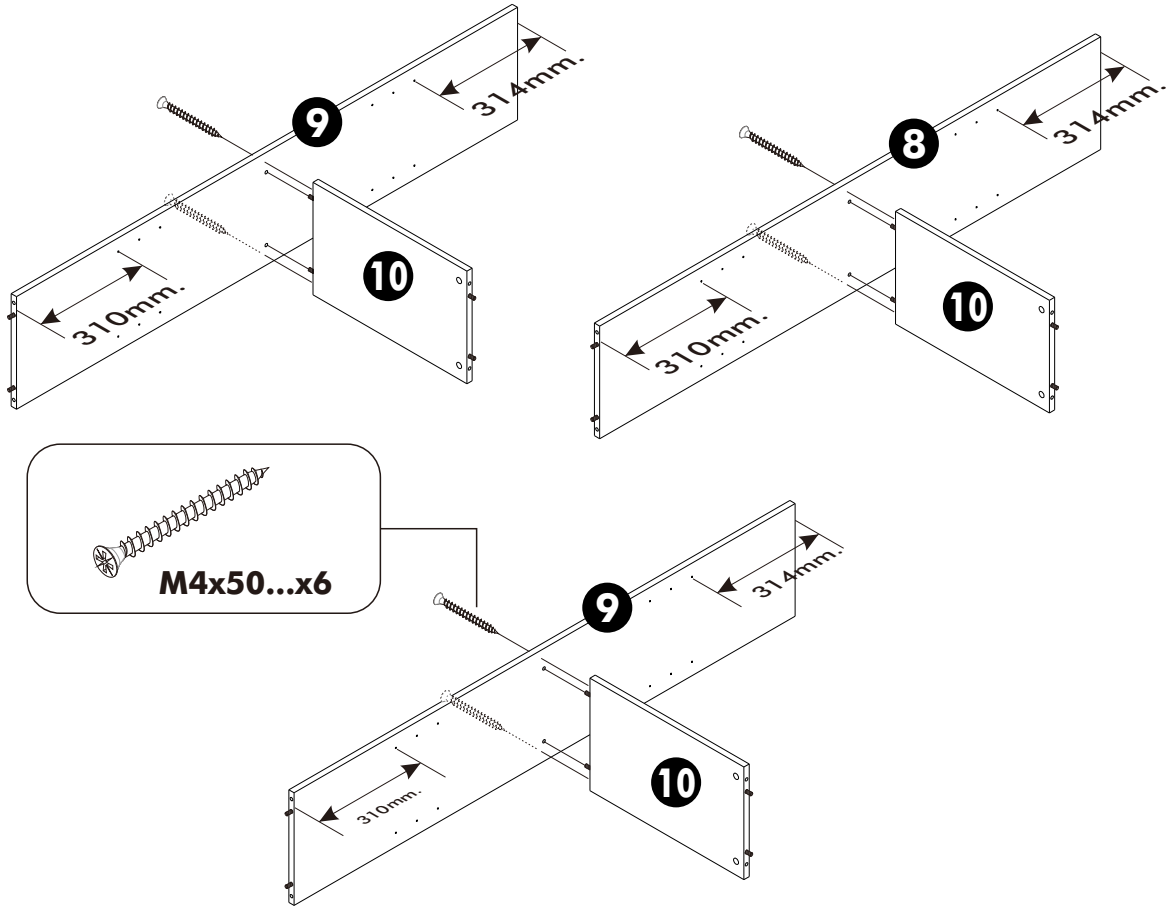
**3.**



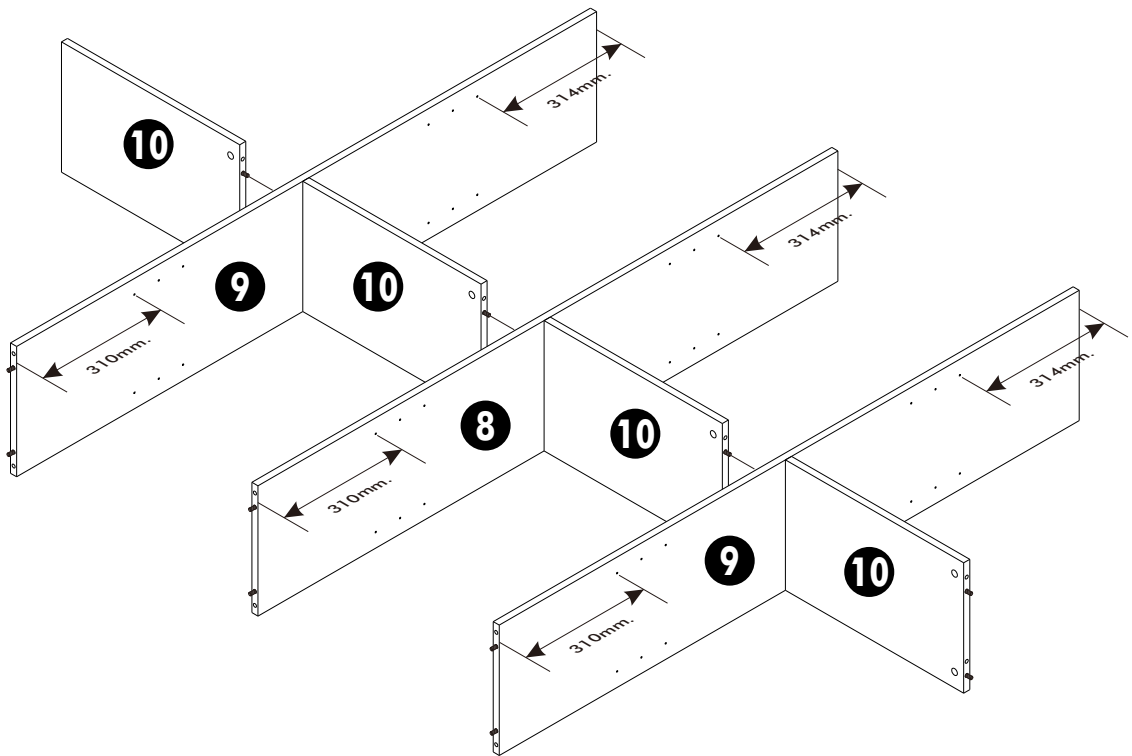
**4.**



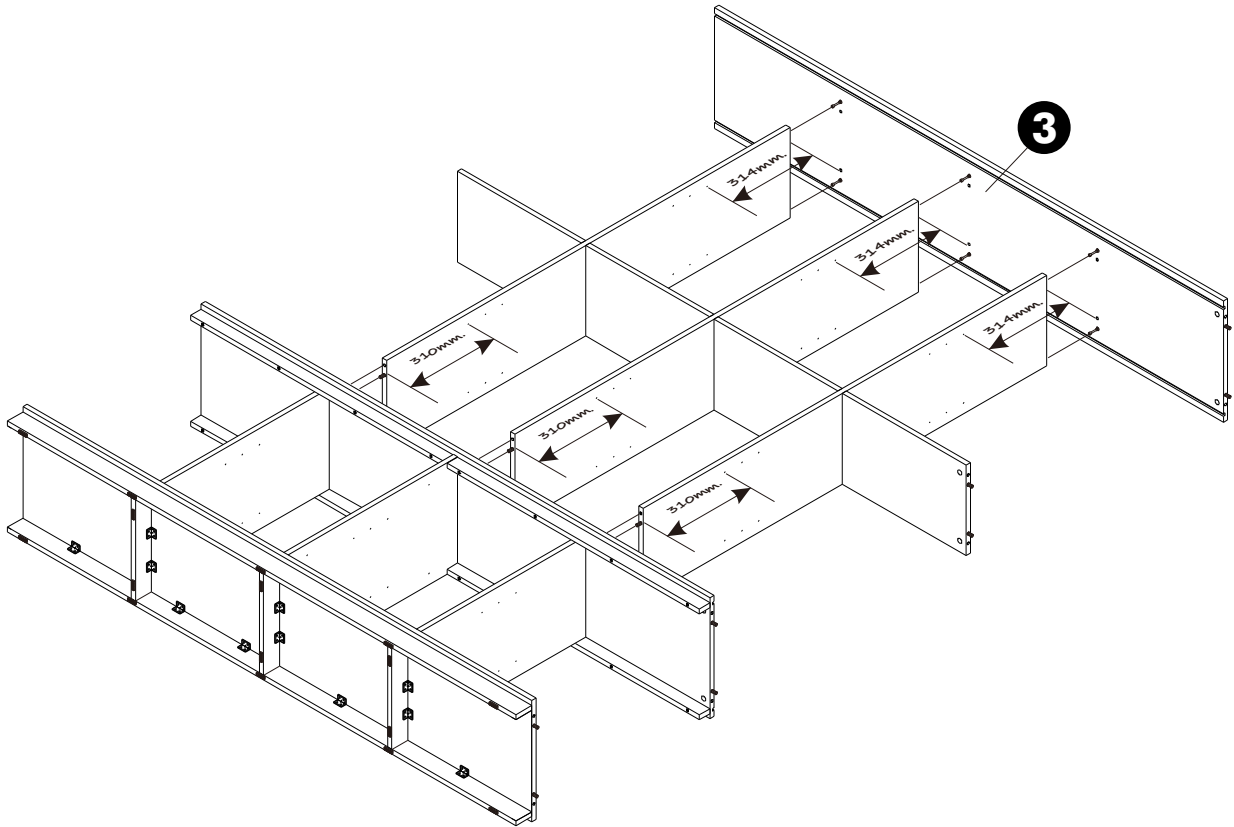
5.



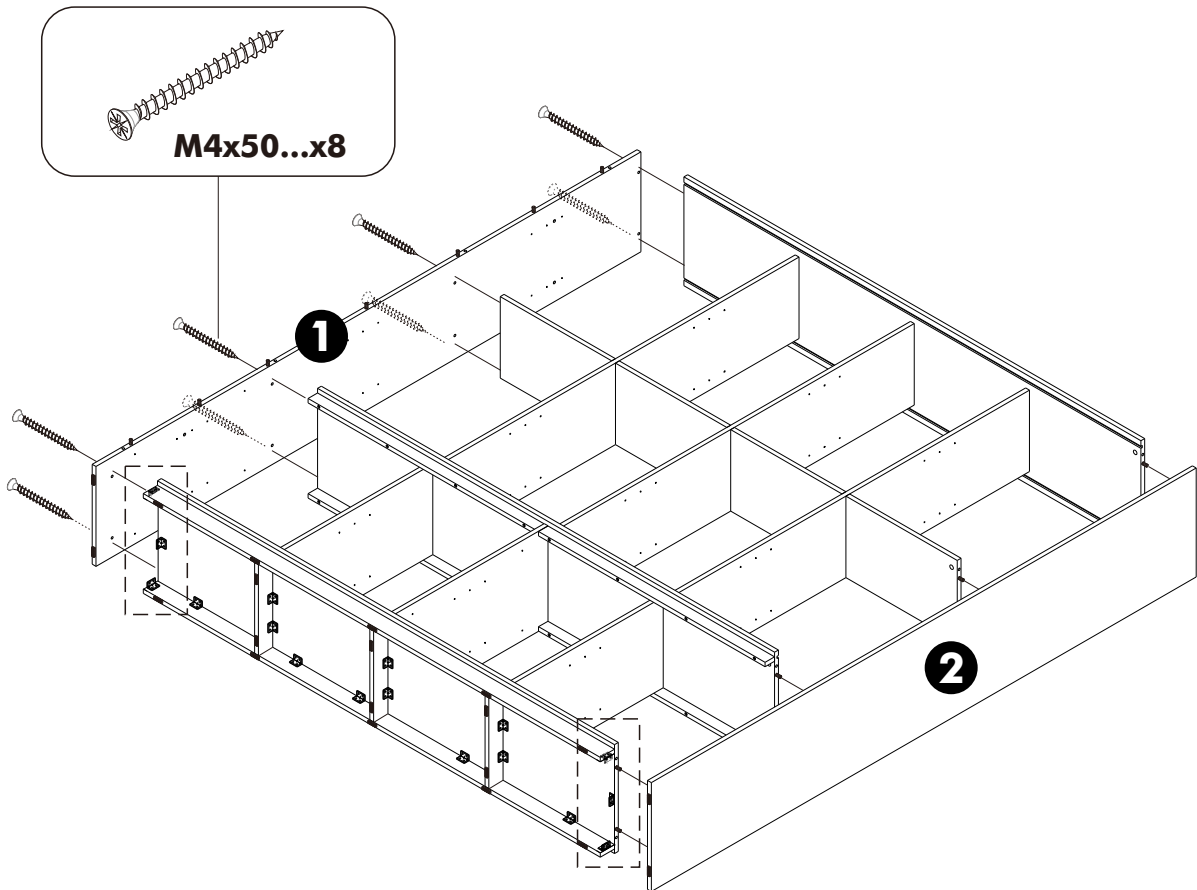
6.



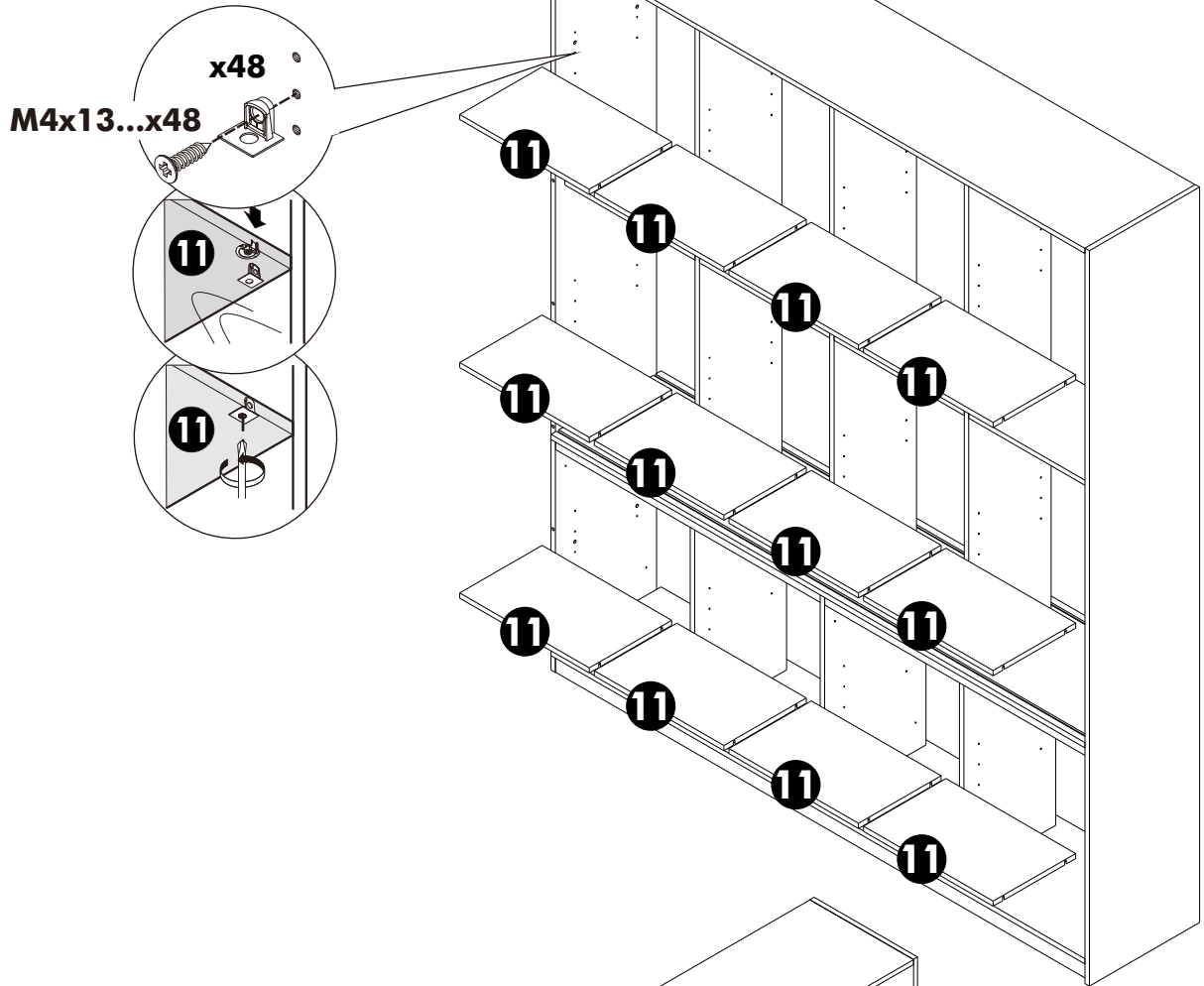
7.



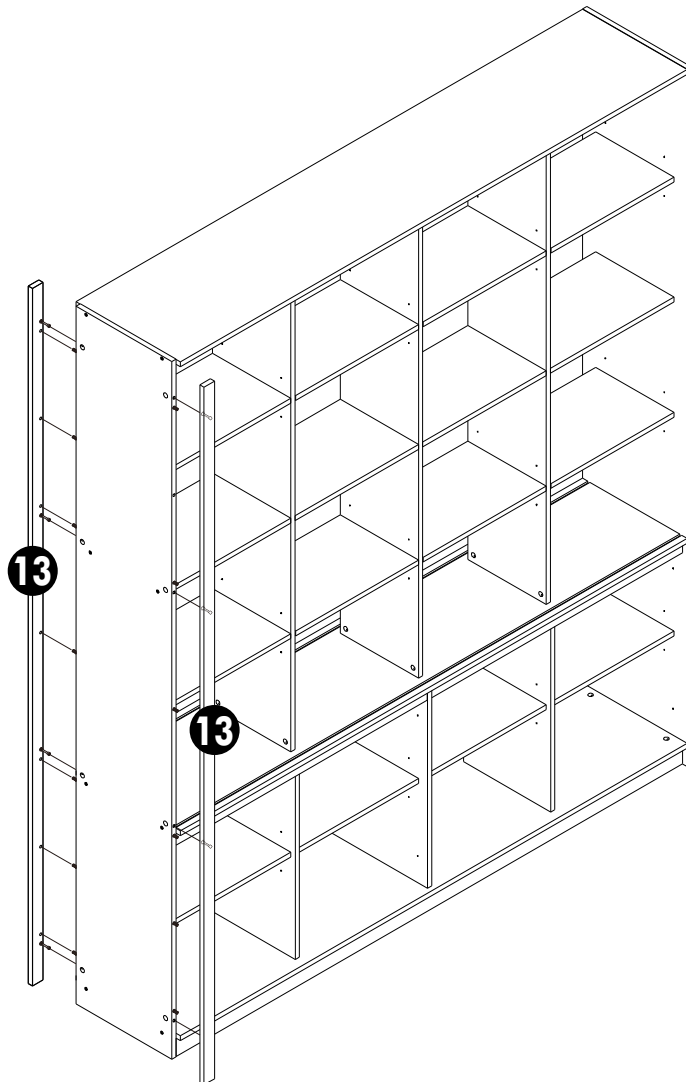
8.



9.



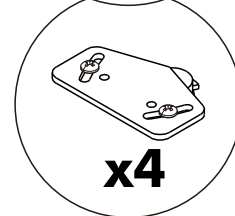
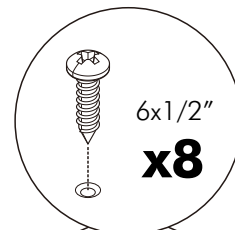
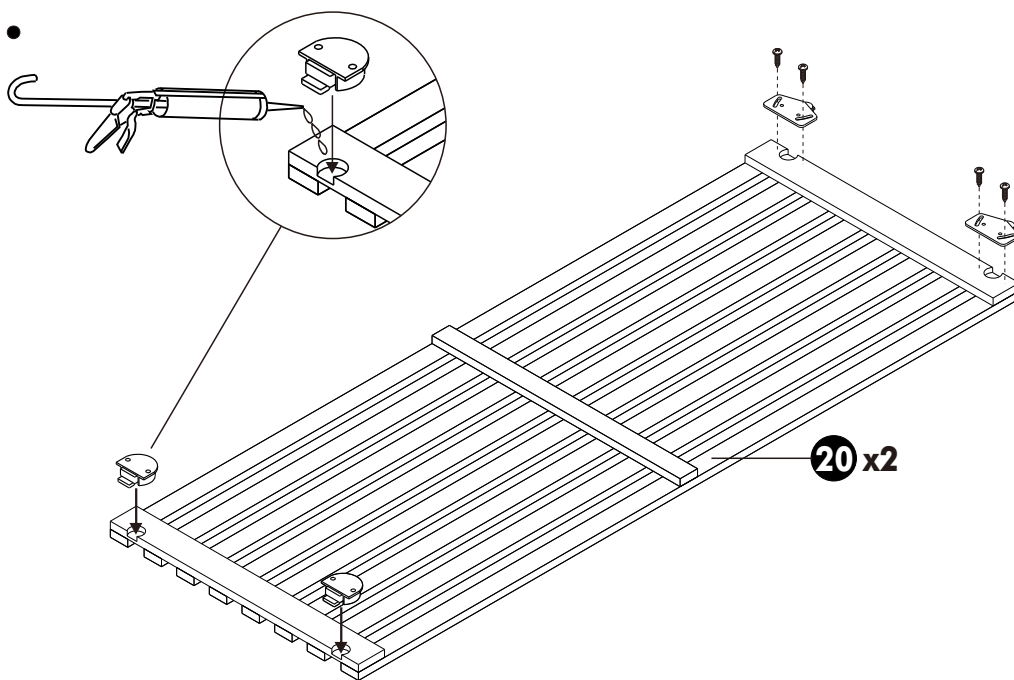
10.



# ASSEMBLY

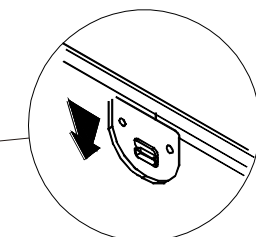
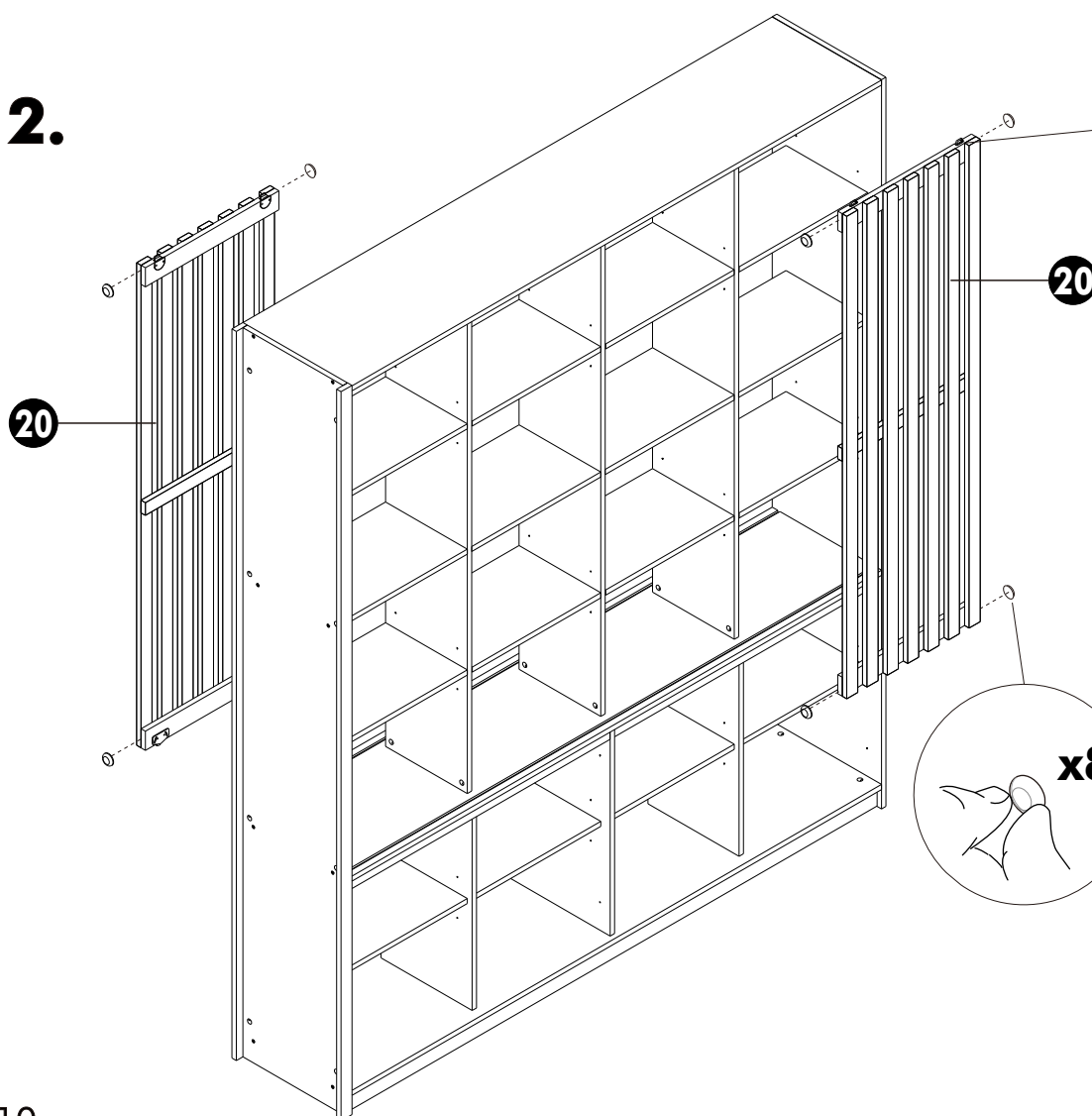
-DOORS SET

1.

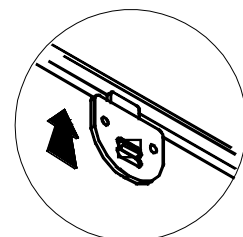


20 x2

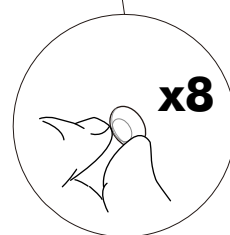
2.



Push down to unlock

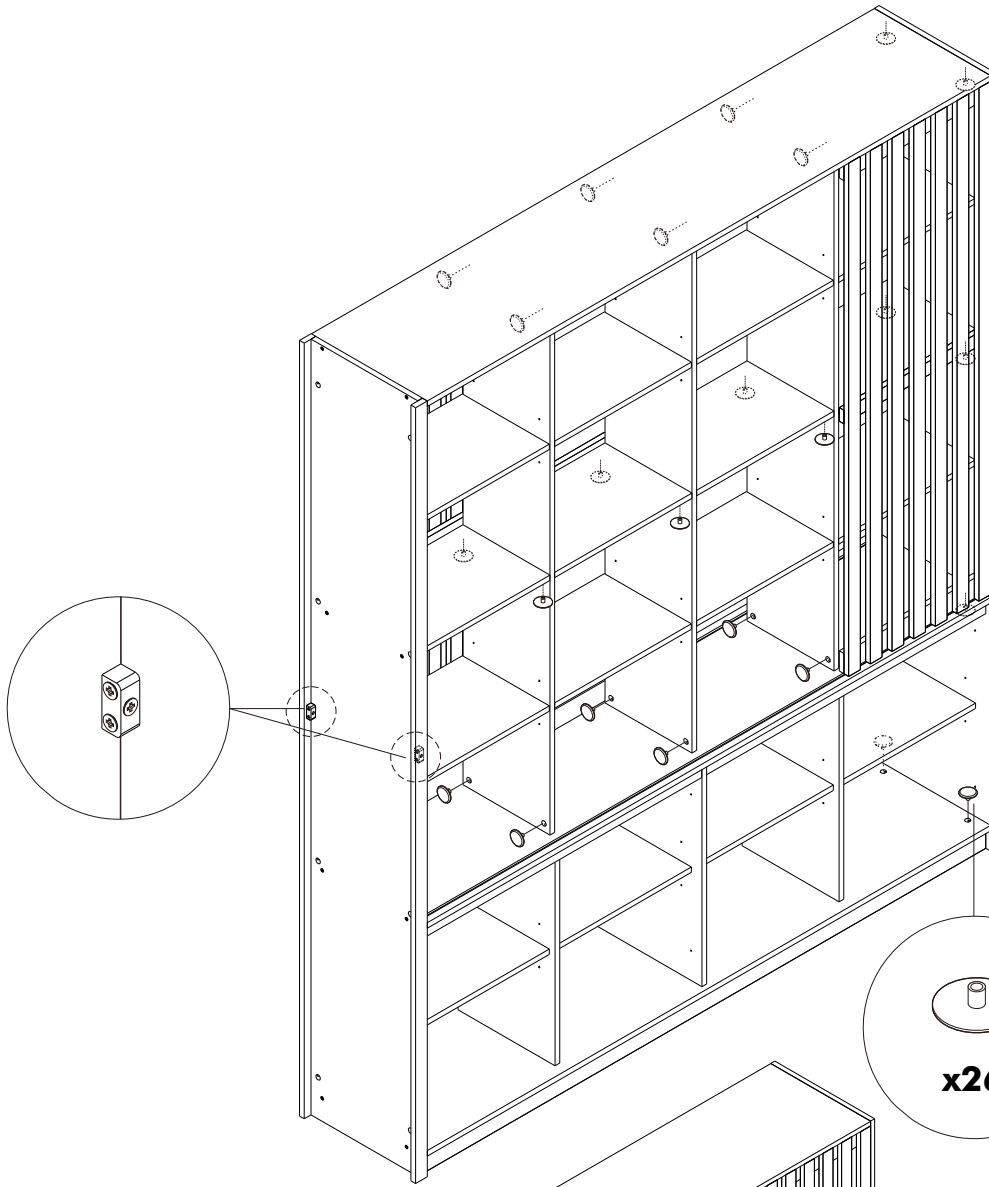


Push up to lock

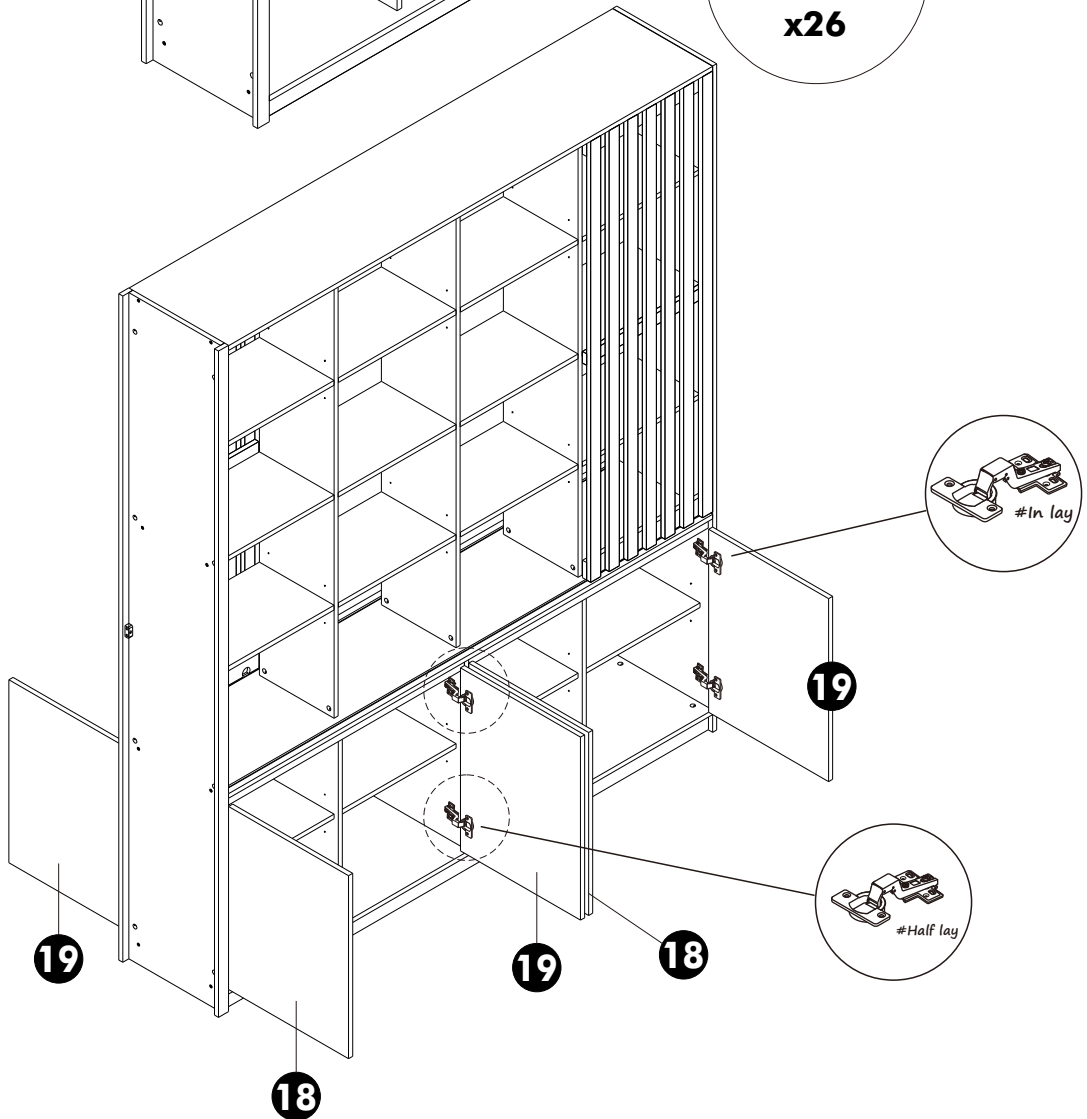


x8

**3.**

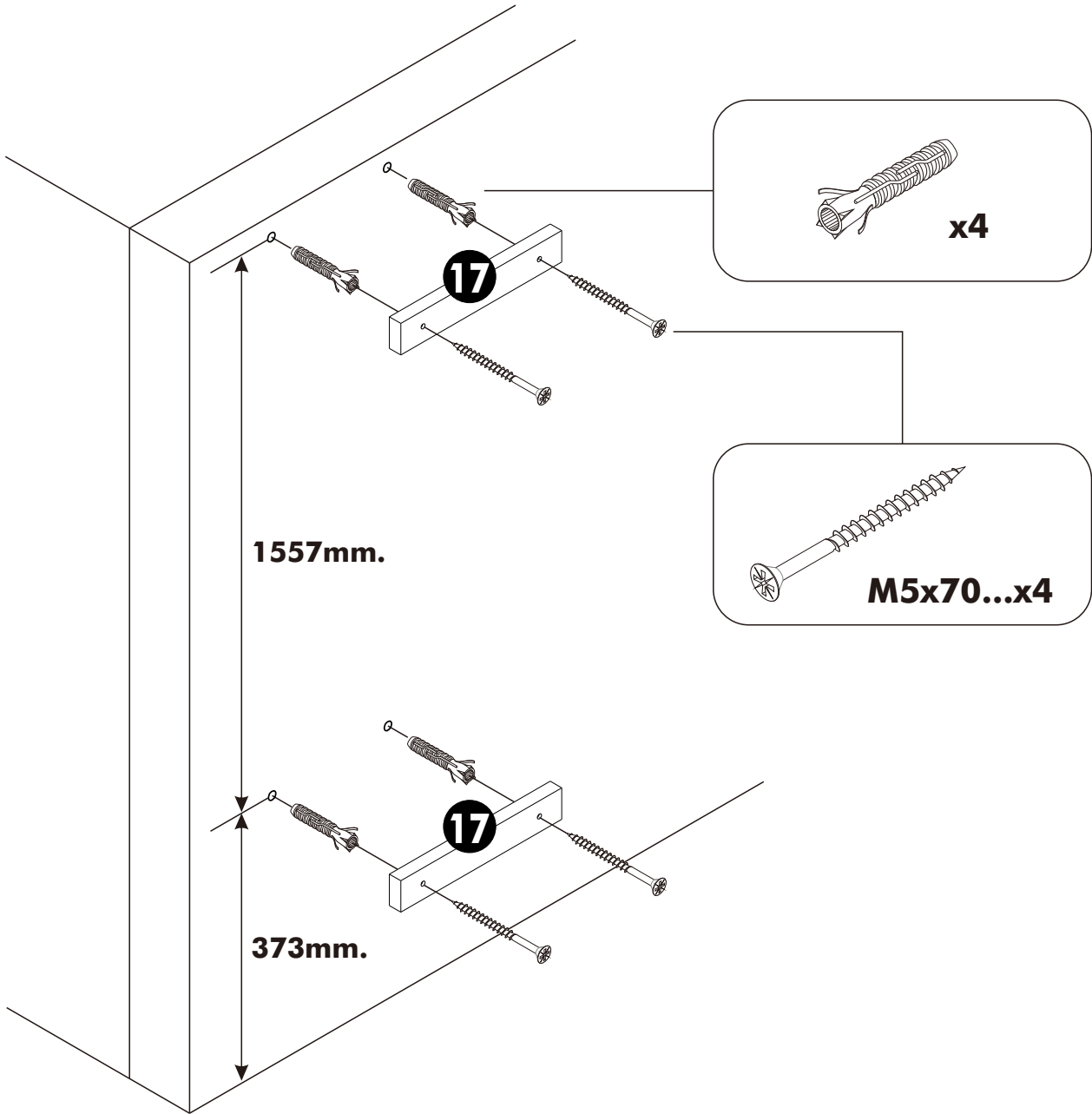


**4.**



**ASSEMBLY**

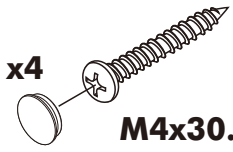
**5.**



**ASSEMBLY**

**6.**

**x4**



**M4x30...x4**

