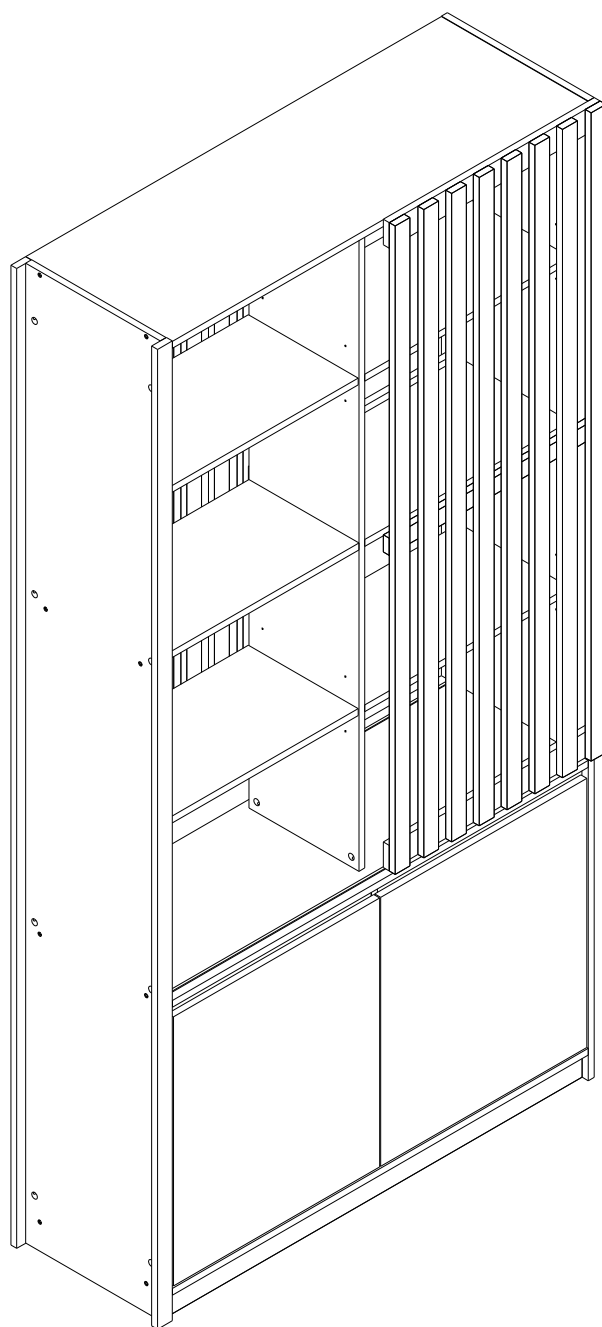


# SHISUOKA

SHIZUOKA Divider shelf+Dr 118cm



# CONNECT SYSTEM

**1**

**3**

**2**

(Connecting bolts)

**WHEN FITTING CAMS**  
ENSURE STARTING POSITION IS CORRECT  
BEFORE YOU INSERT CONNECTING BOLT  
TURN CLOCKWISE UNTIL SECURE

✓				✗
↑				
	<b>CORRECT</b>	<b>WRONG</b>		

M4x16mm.

**i**

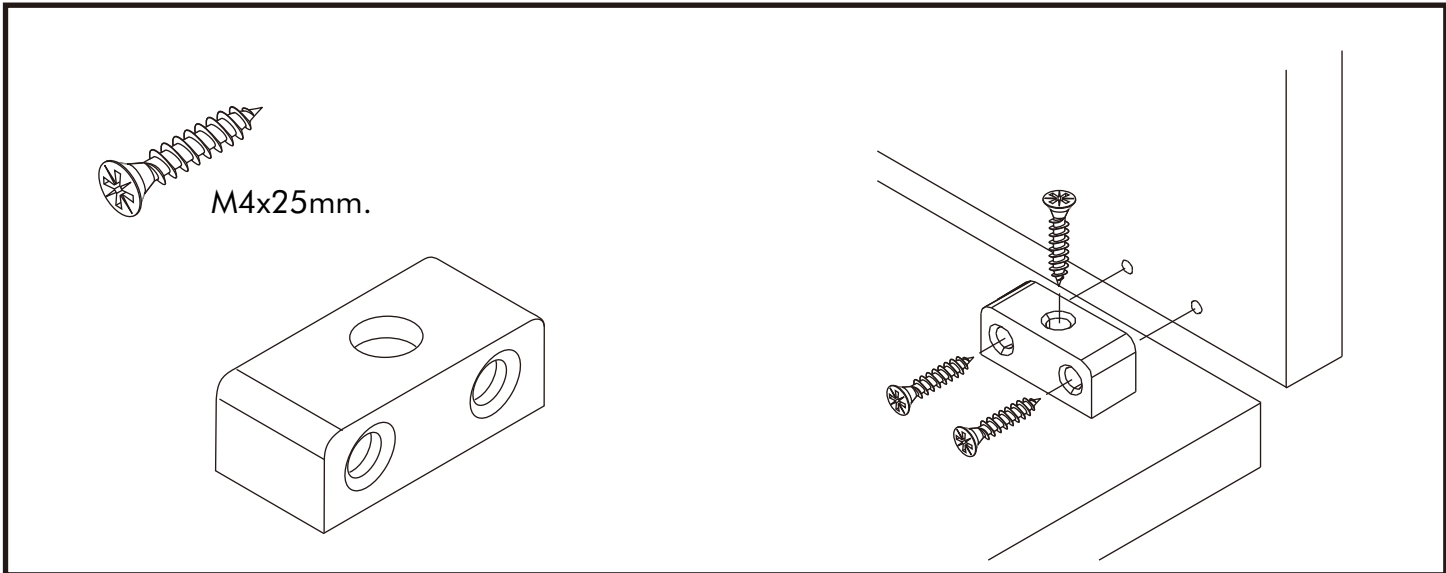
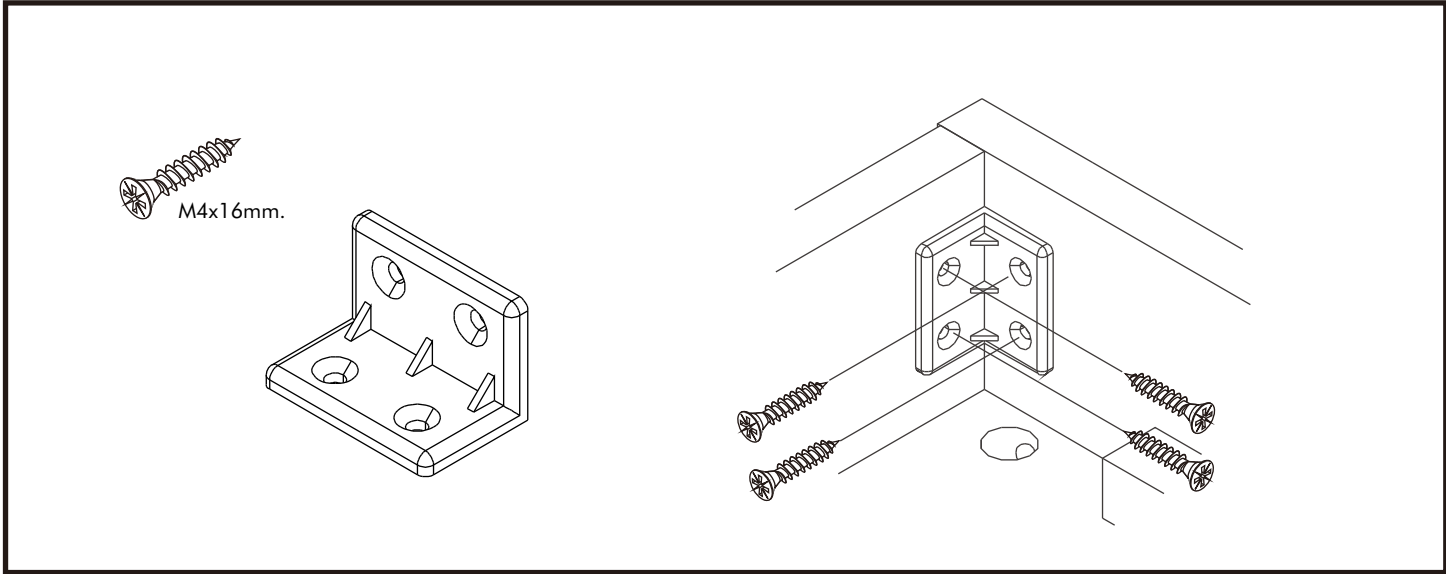
40mm.

EQ

M4x16mm.

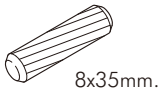
**DOOR PANEL**

# CONNECT SYSTEM



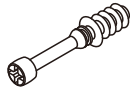
# HARDWARE

## -BODY SET



8x35mm.

**x 42**



**x 22**

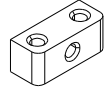


**x 22**

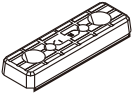


M4x16mm.

**x 92**



**x 2**



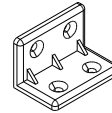
**x 14**



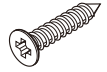
**x 14**



∅ 11mm.  
**x 4**



**x 16**



M4x25mm.

**x 6**



Mx4x50mm.

**x 14**



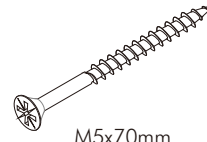
M4x30mm.

**x 4**



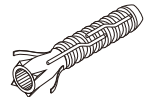
M4x45mm.

**x 12**



M5x70mm.

**x 4**



**x 4**



**x 24**



M4x13mm.

**x 24**

## -DOOR SET



**x 4**



**x 4**



6x1/2"

**x 8**



**x 16**



**x 8**



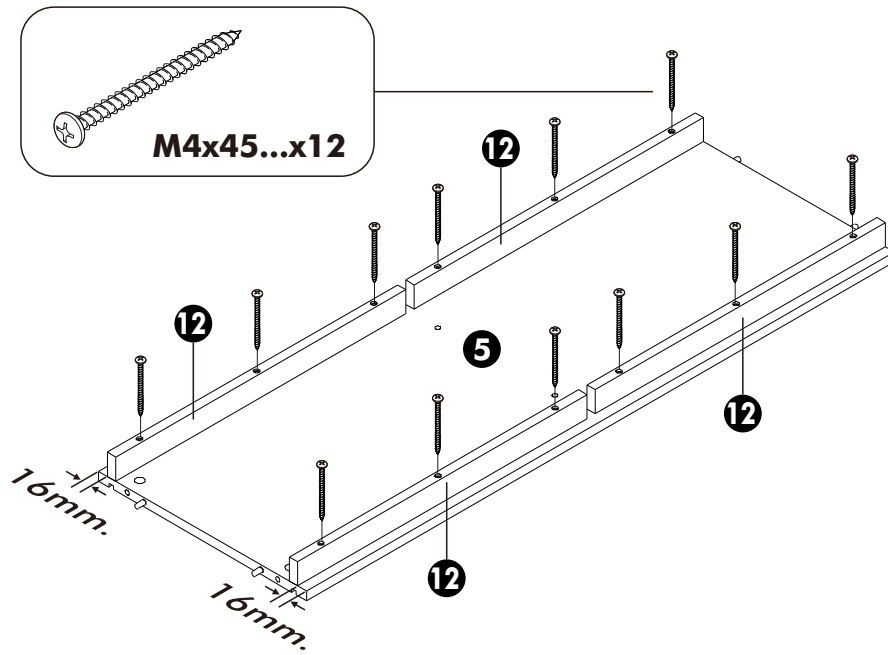
M4x16mm.

**x 48**

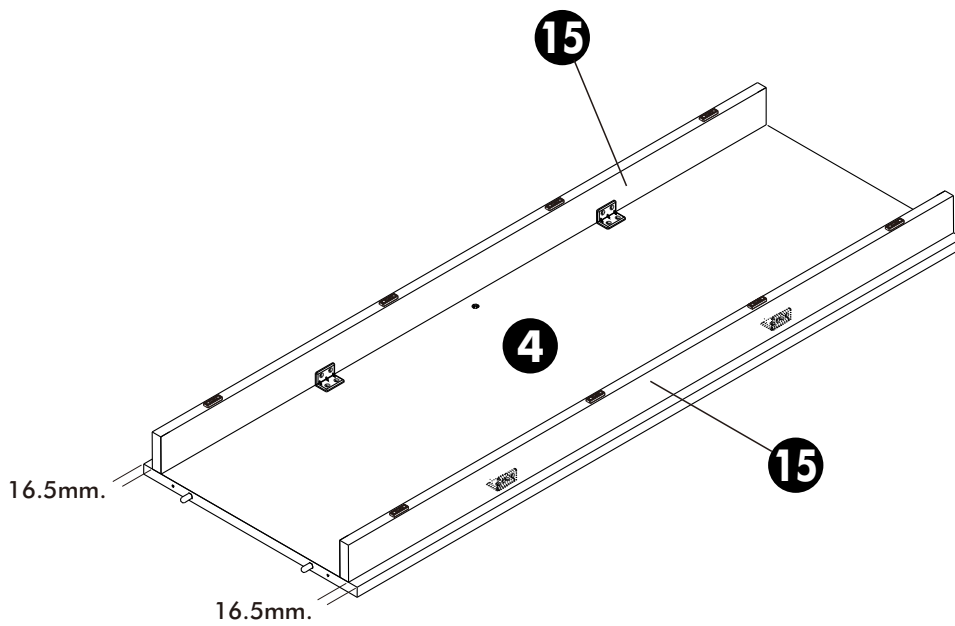
# ASSEMBLY

-BODY SET

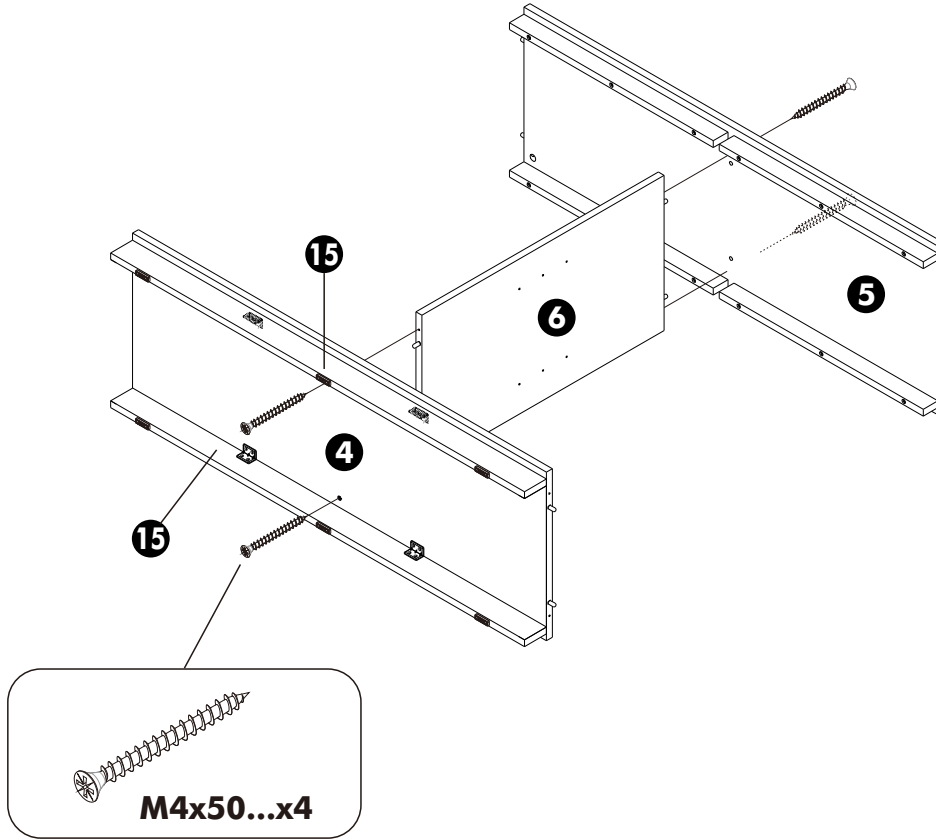
## 1.



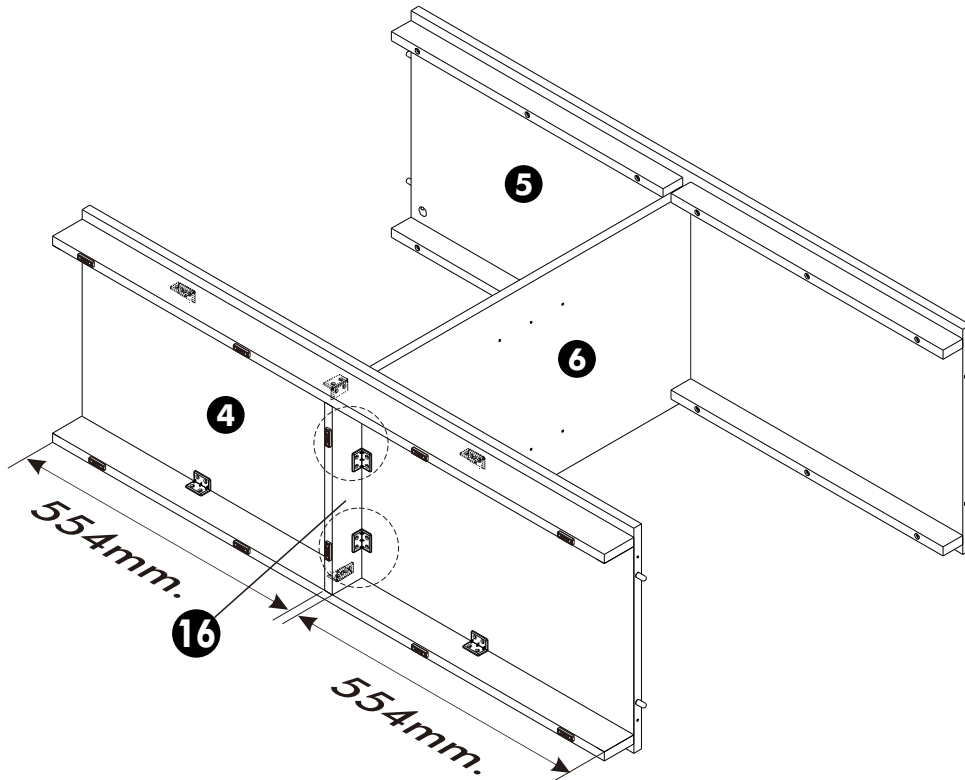
## 2.



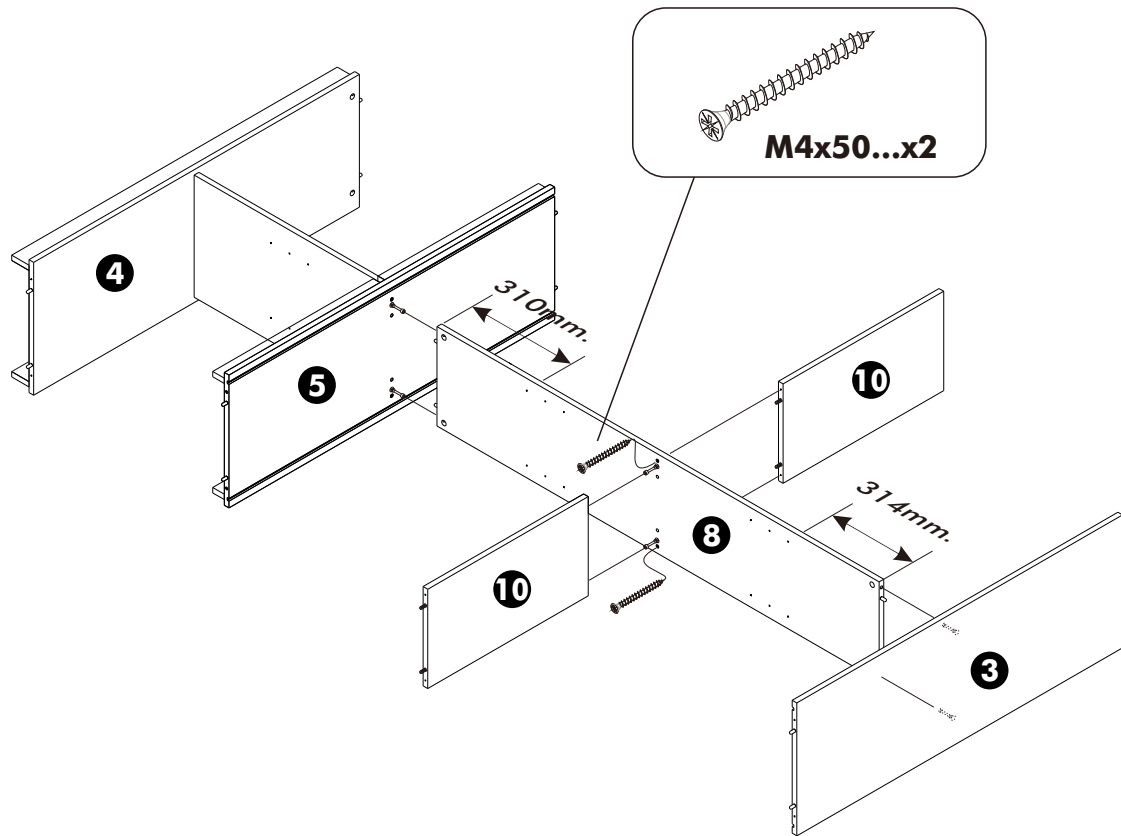
**3.**



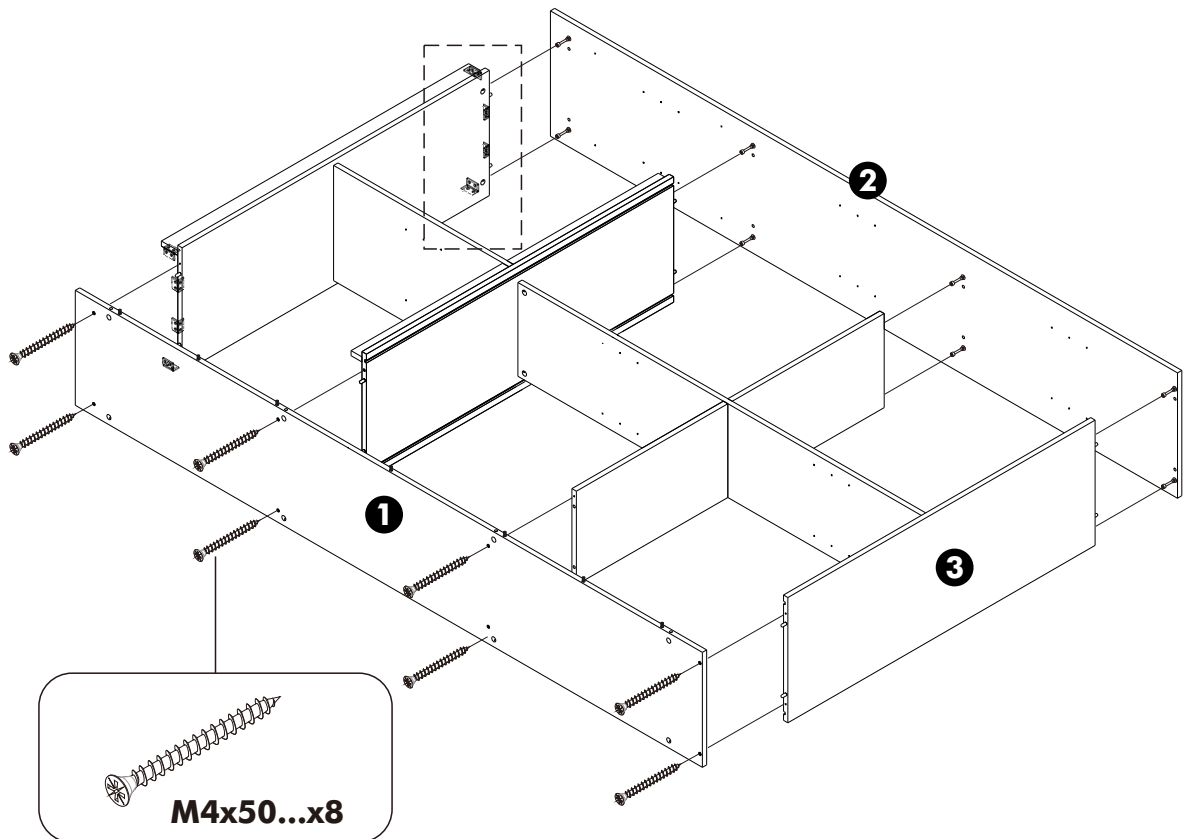
**4.**



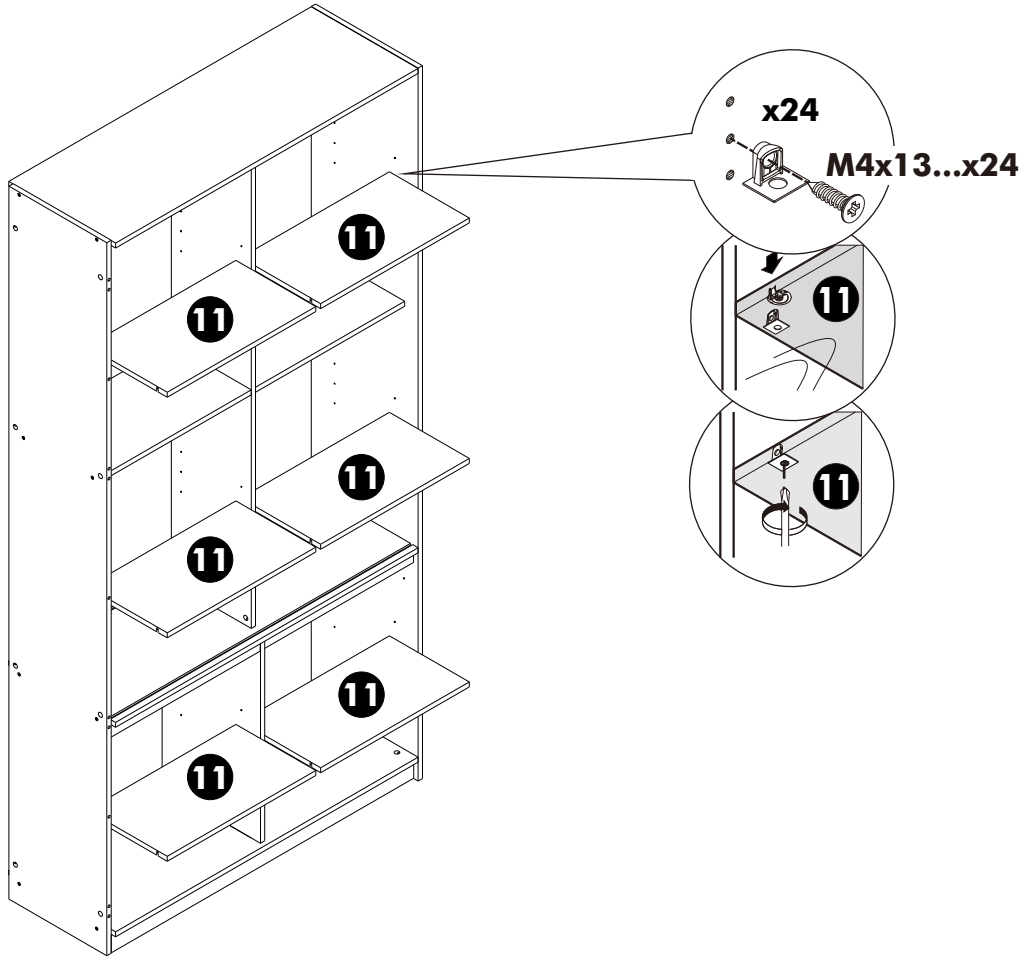
**5.**



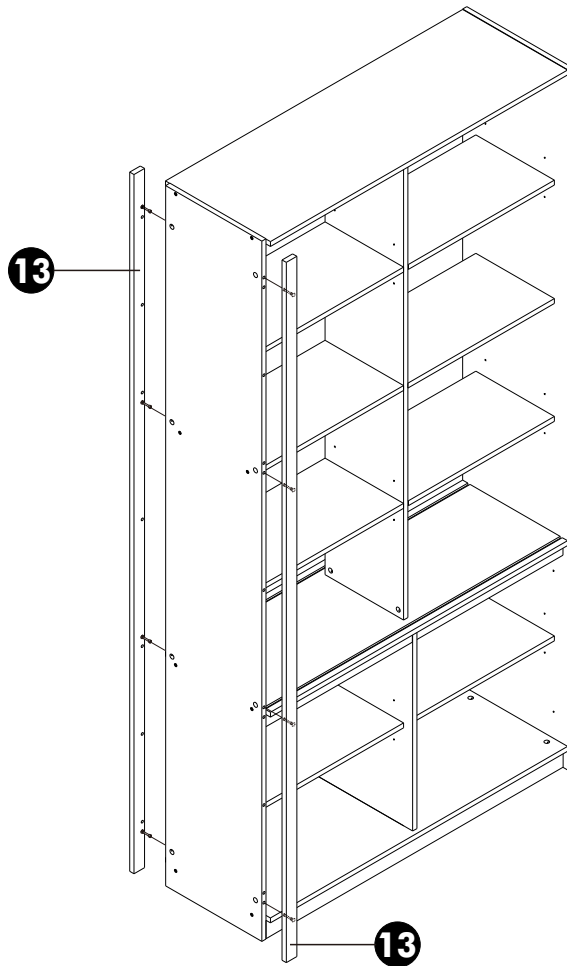
**6.**



**7.**



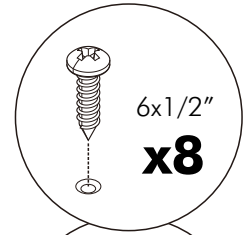
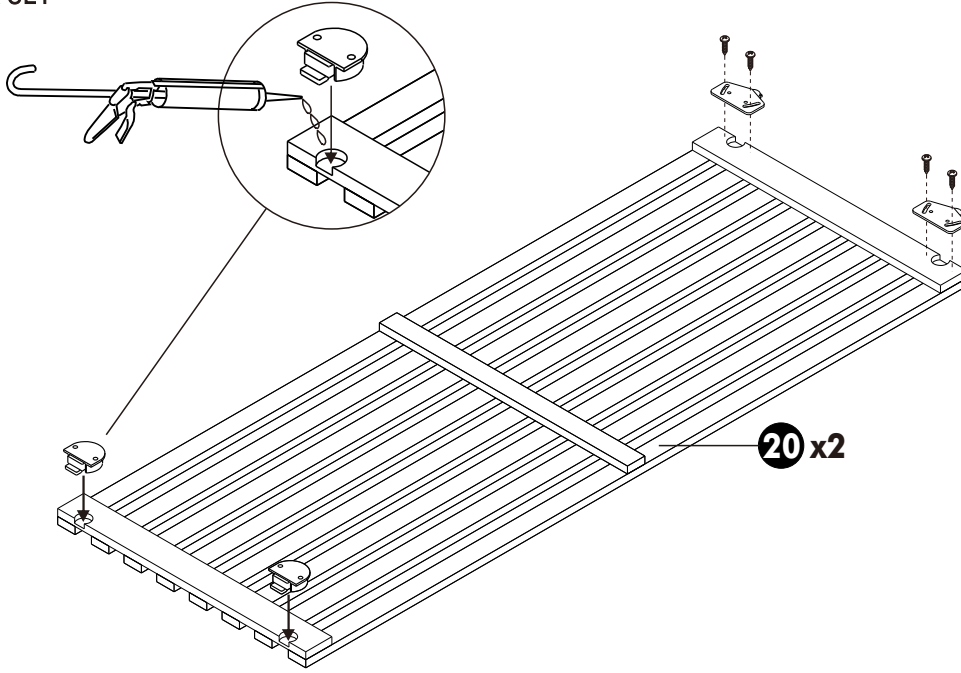
**8.**



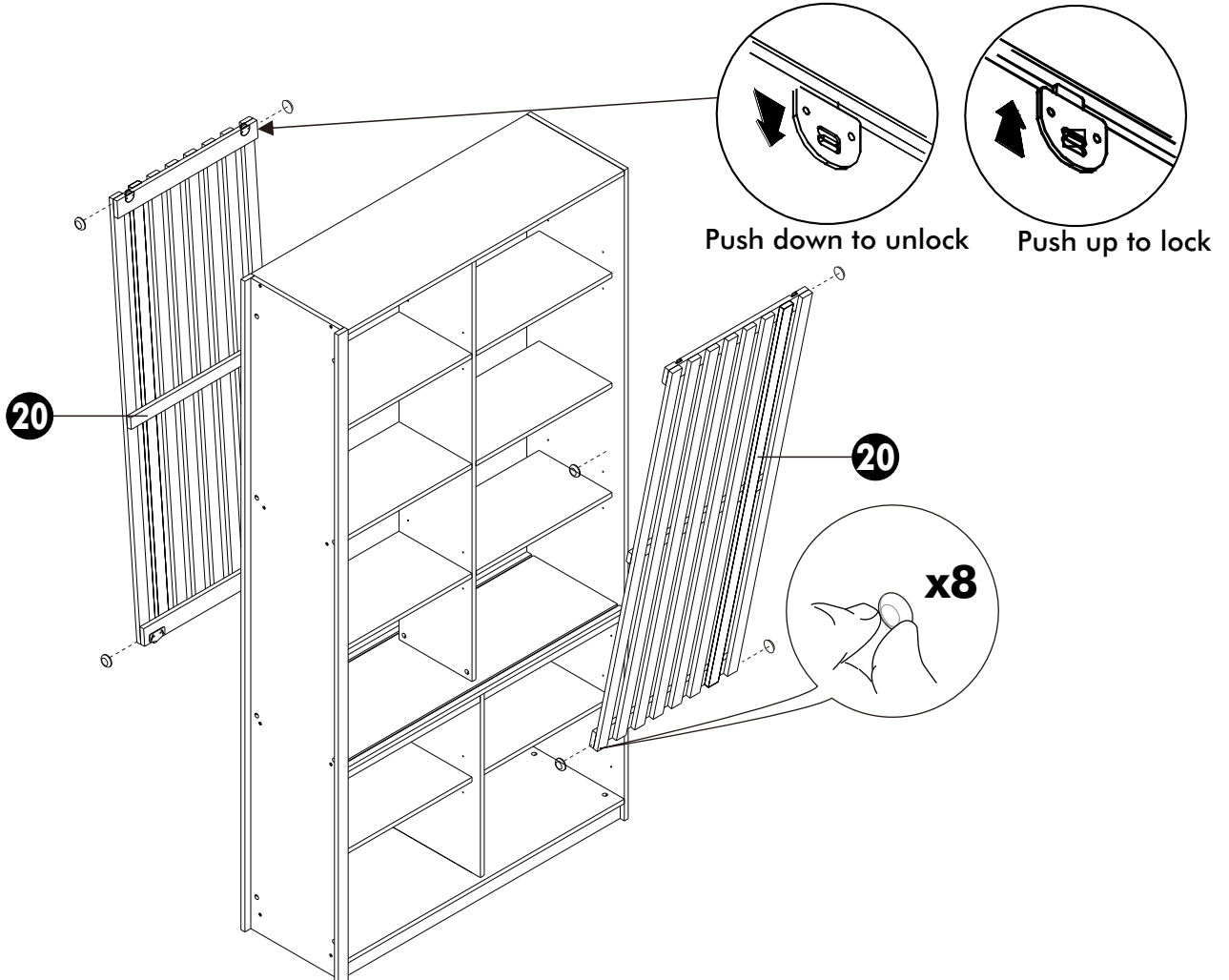
# ASSEMBLY

-DOOR SET

1.



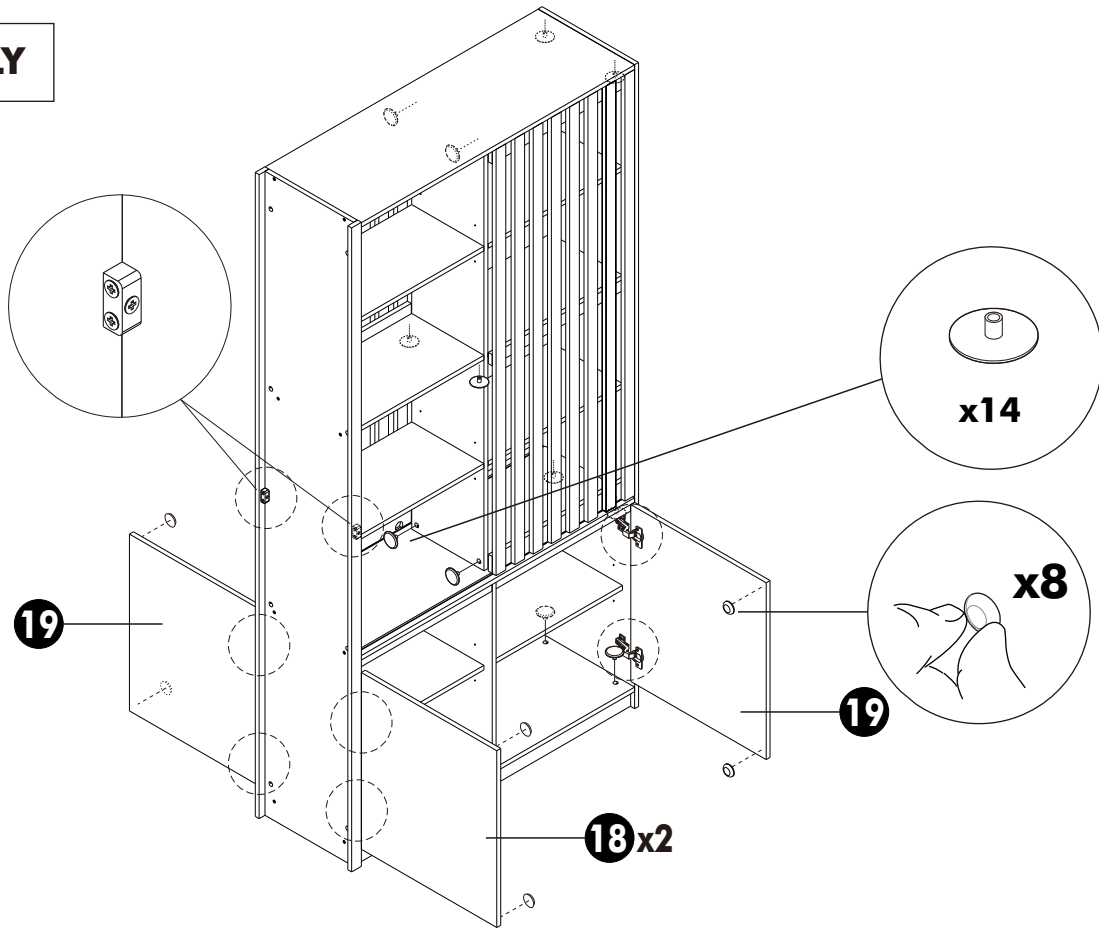
2.



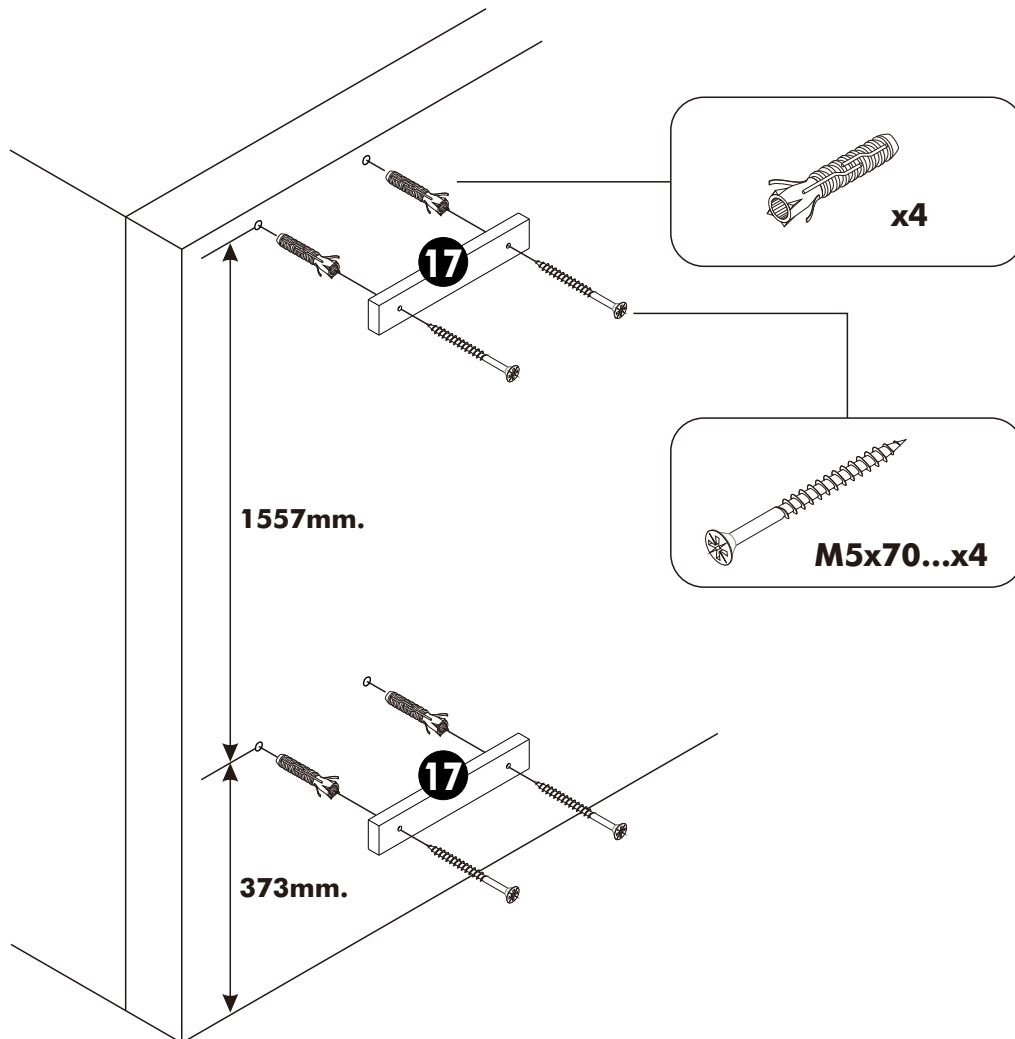
# ASSEMBLY

-DOOR SET

## 3.



## 4.



**ASSEMBLY**

**5.**

