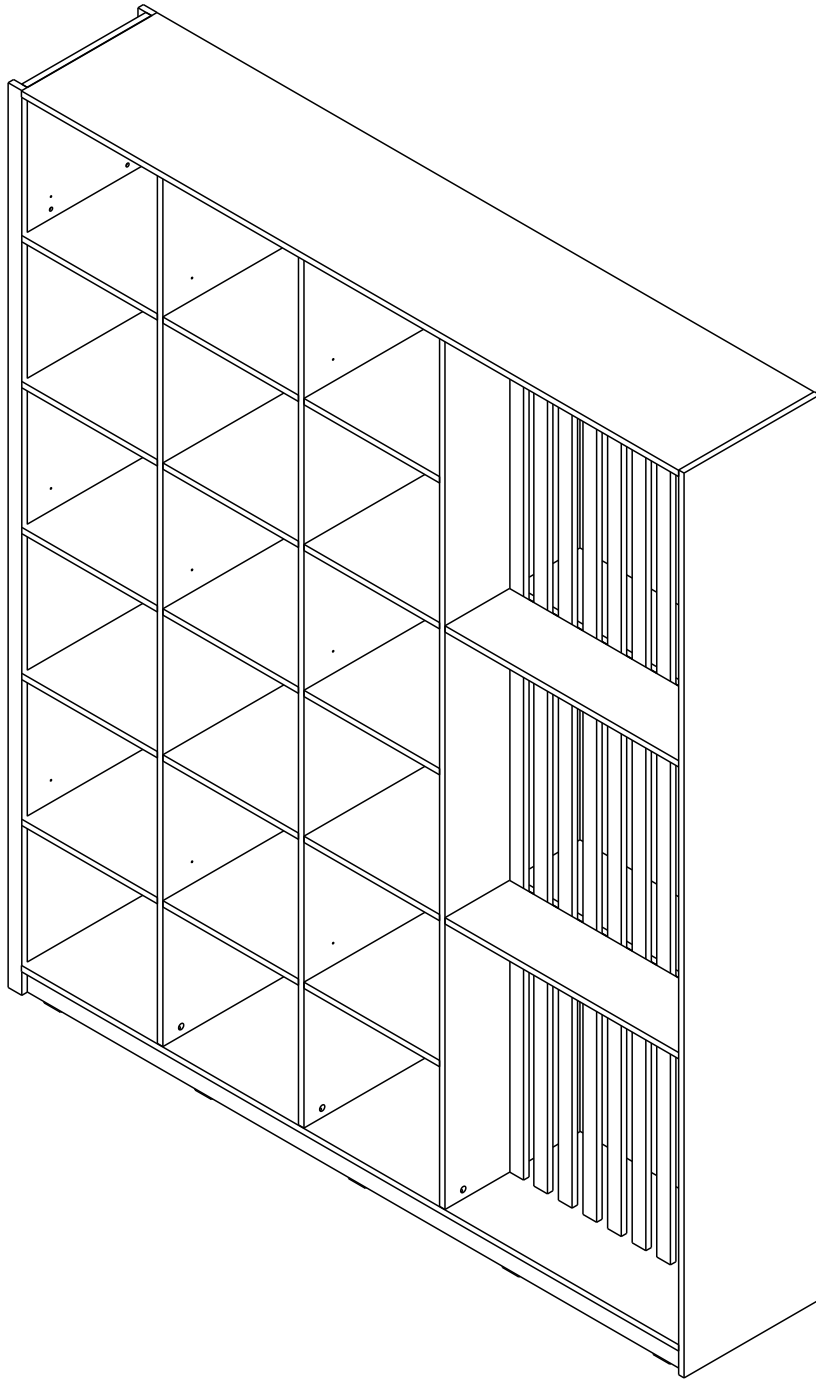


SHIZUOKA

DIVIDER SHELF 198CM



CONNECT SYSTEM

1

3

2

(Connecting bolts)

WHEN FITTING CAMS
 ENSURE STARTING POSITION IS CORRECT
 BEFORE YOU INSERT CONNECTING BOLT
 TURN CLOCKWISE UNTIL SECURE

✓				✗
	↑			
	CORRECT		WRONG	

M4x16mm.

M4x16mm.

OUT

IN

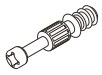
M4x16mm.

i

<p>40mm.</p> <p>☹️</p> <p>☒</p>	<p>EQ</p> <p>☺️</p> <p>☑️</p>
---------------------------------	-------------------------------

HARDWARE

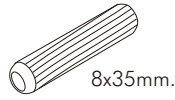
-BODY SET



x 44

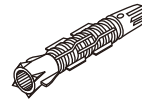


x 44

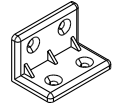


8x35mm.

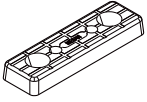
x 94



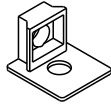
x 4



x 25



x 20



x 36



x 36



∅ 11mm.

x 24



M4x20mm.

x 20



M4x30mm.

x 4



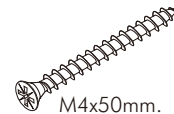
M4x45mm.

x 12



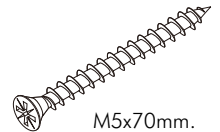
M4x16mm.

x 140



M4x50mm.

x 24



M5x70mm.

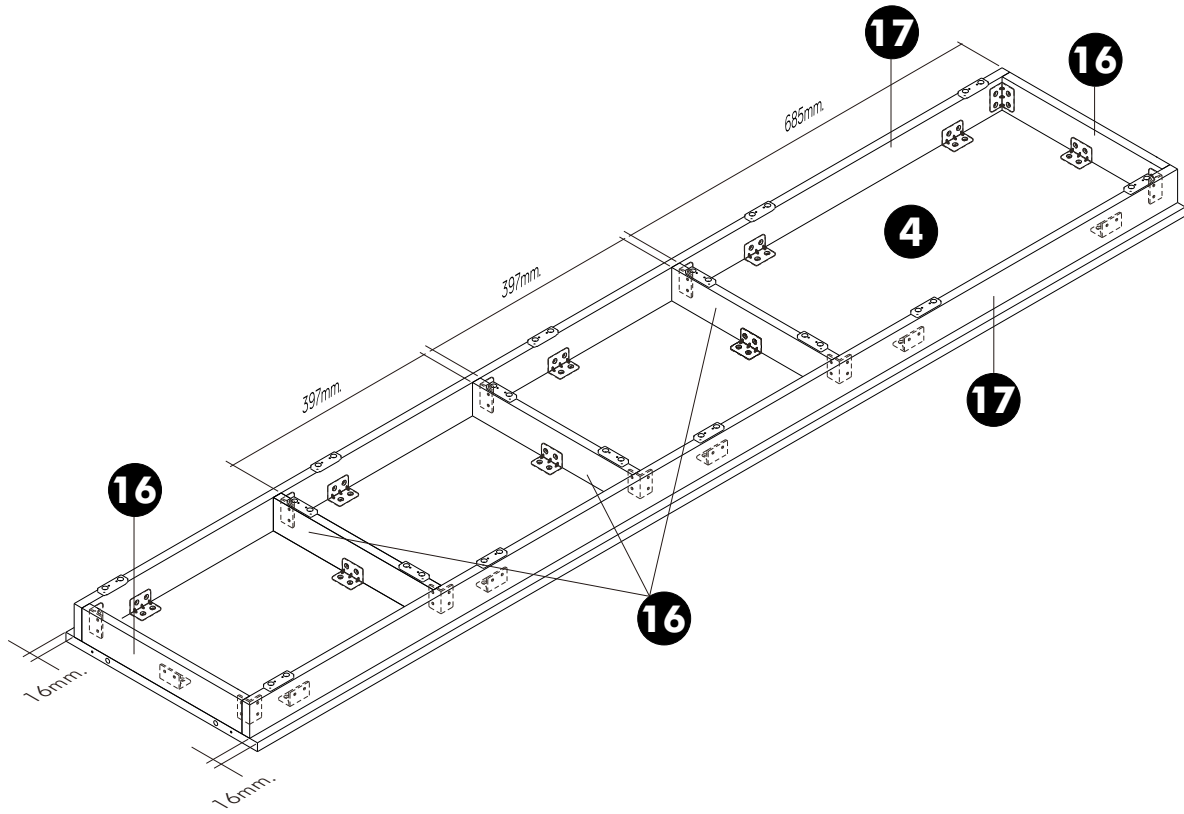
x 4



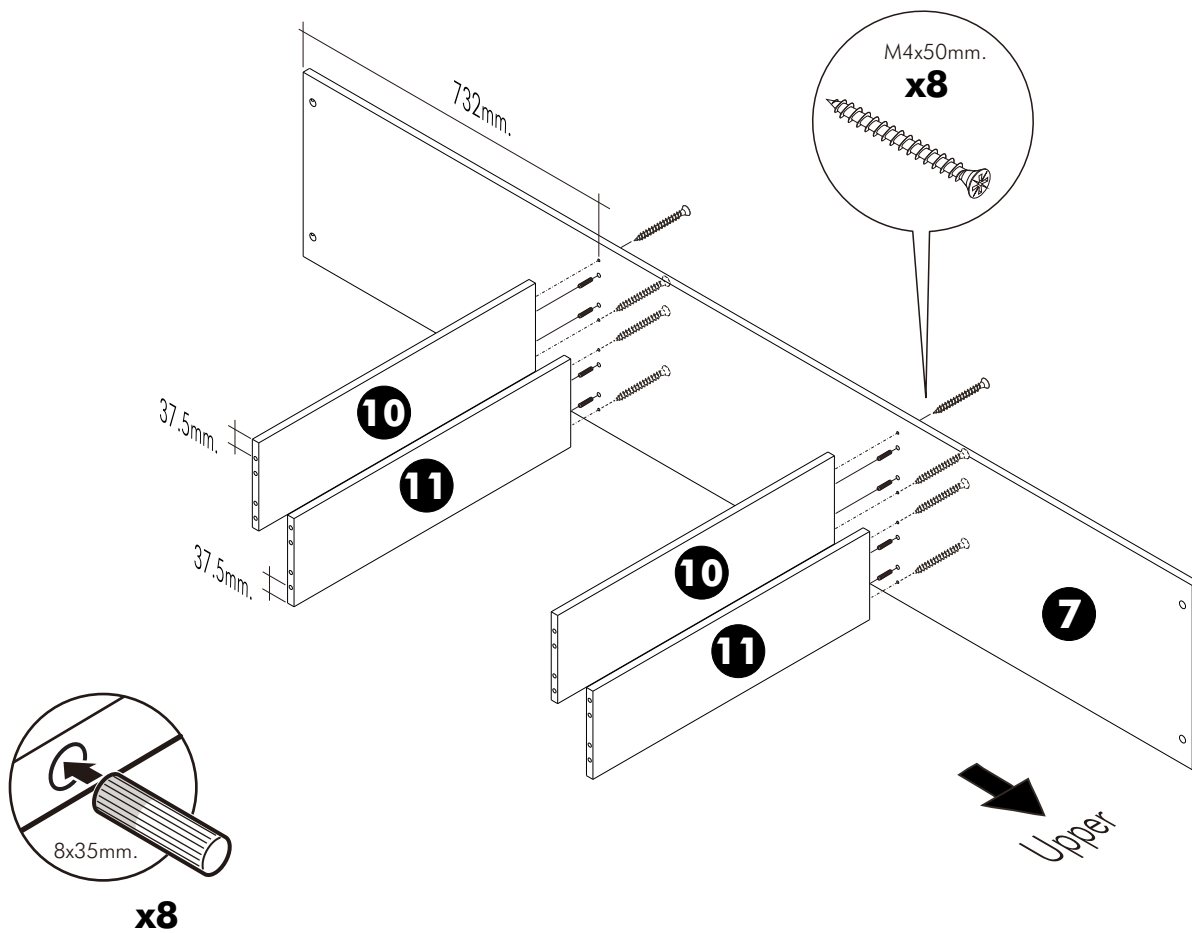
M4x13mm.

x 36

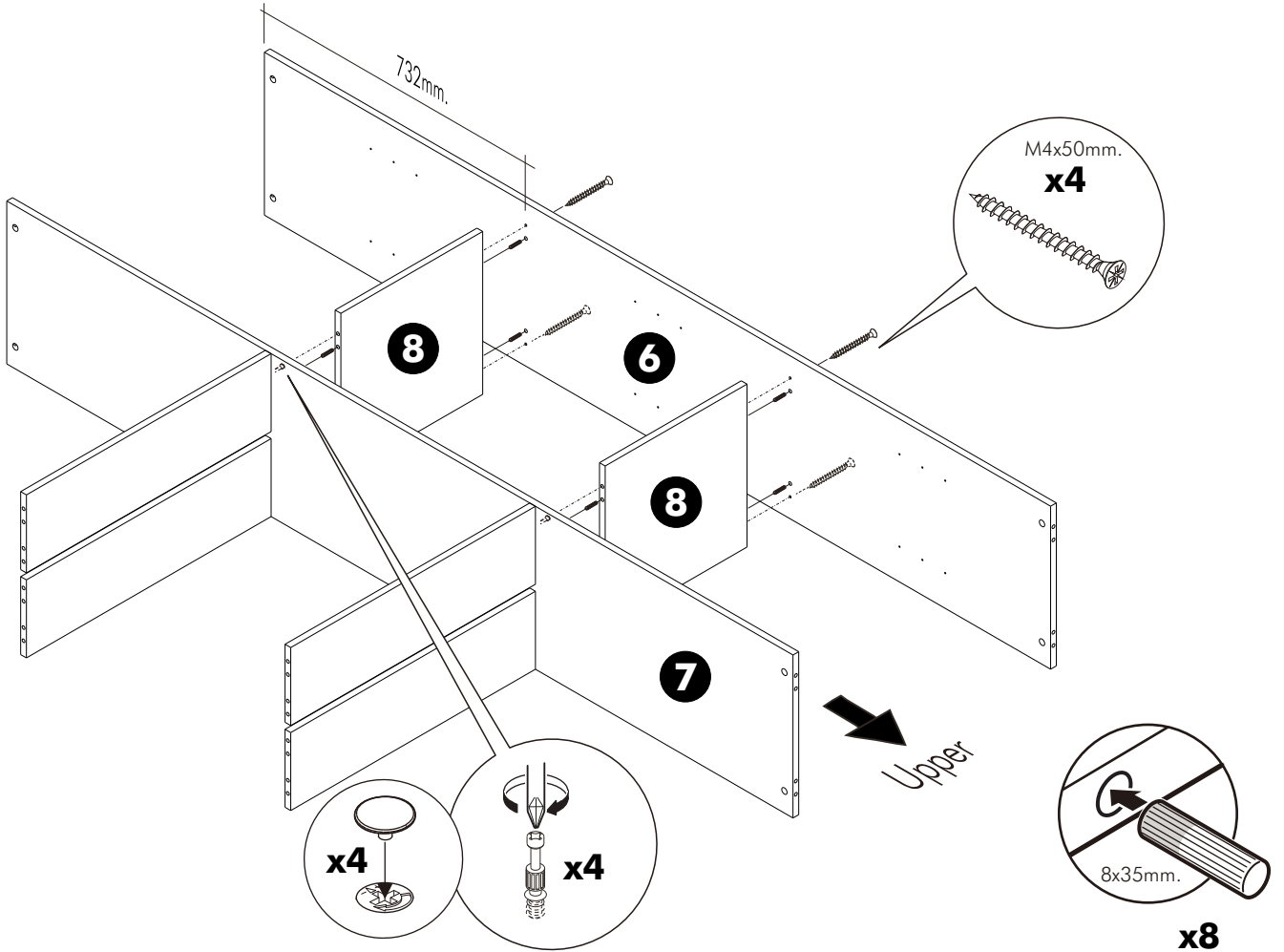
1.



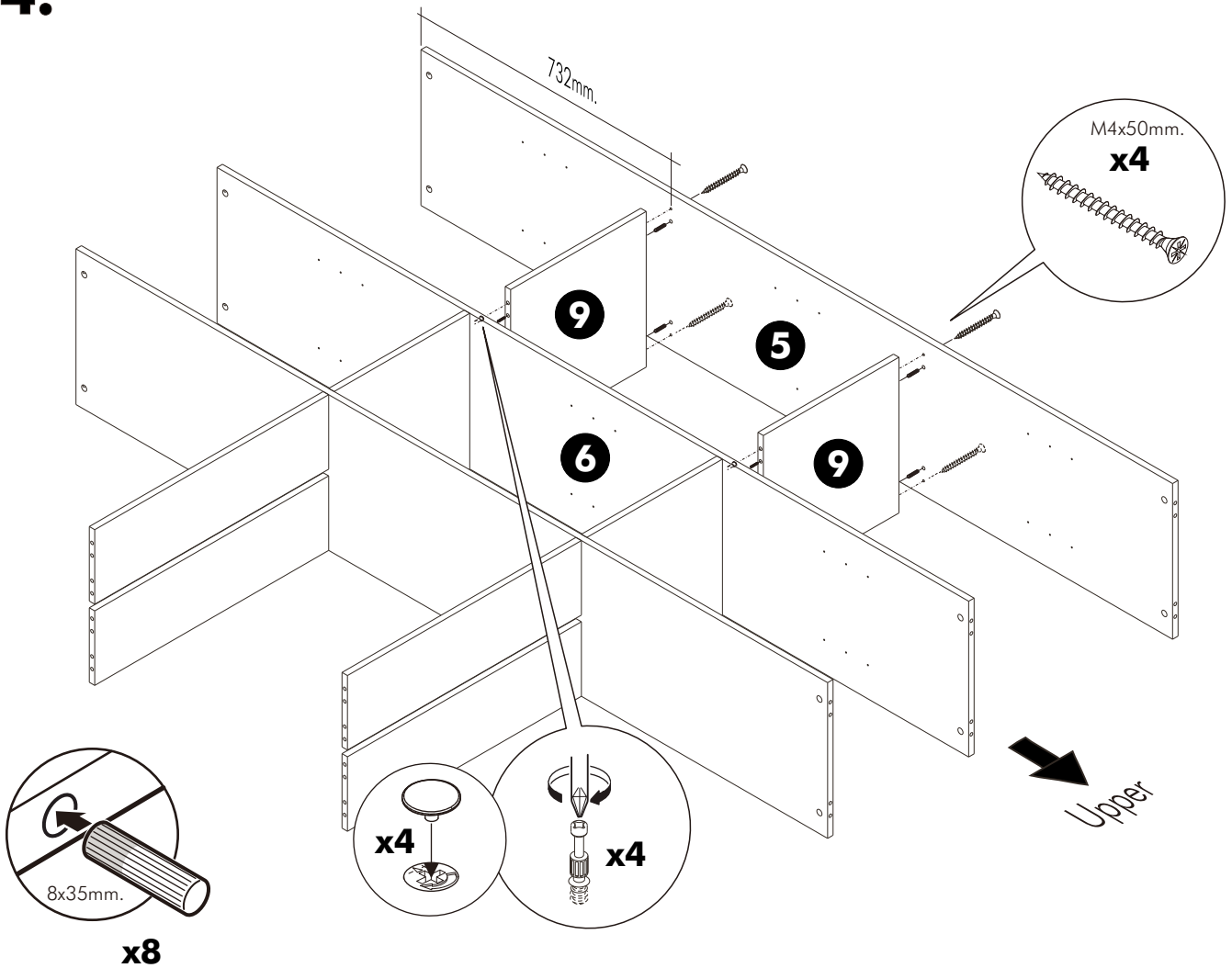
2.



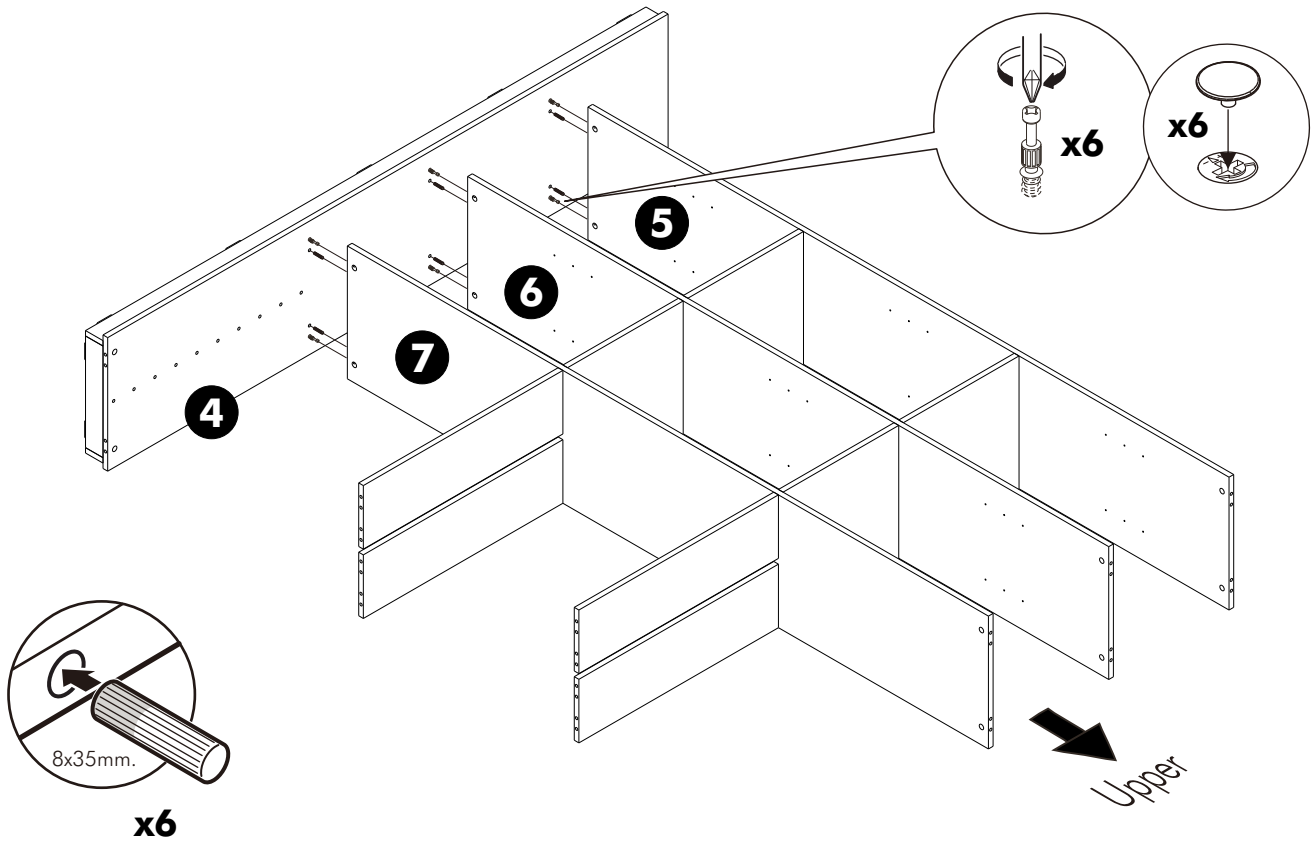
3.



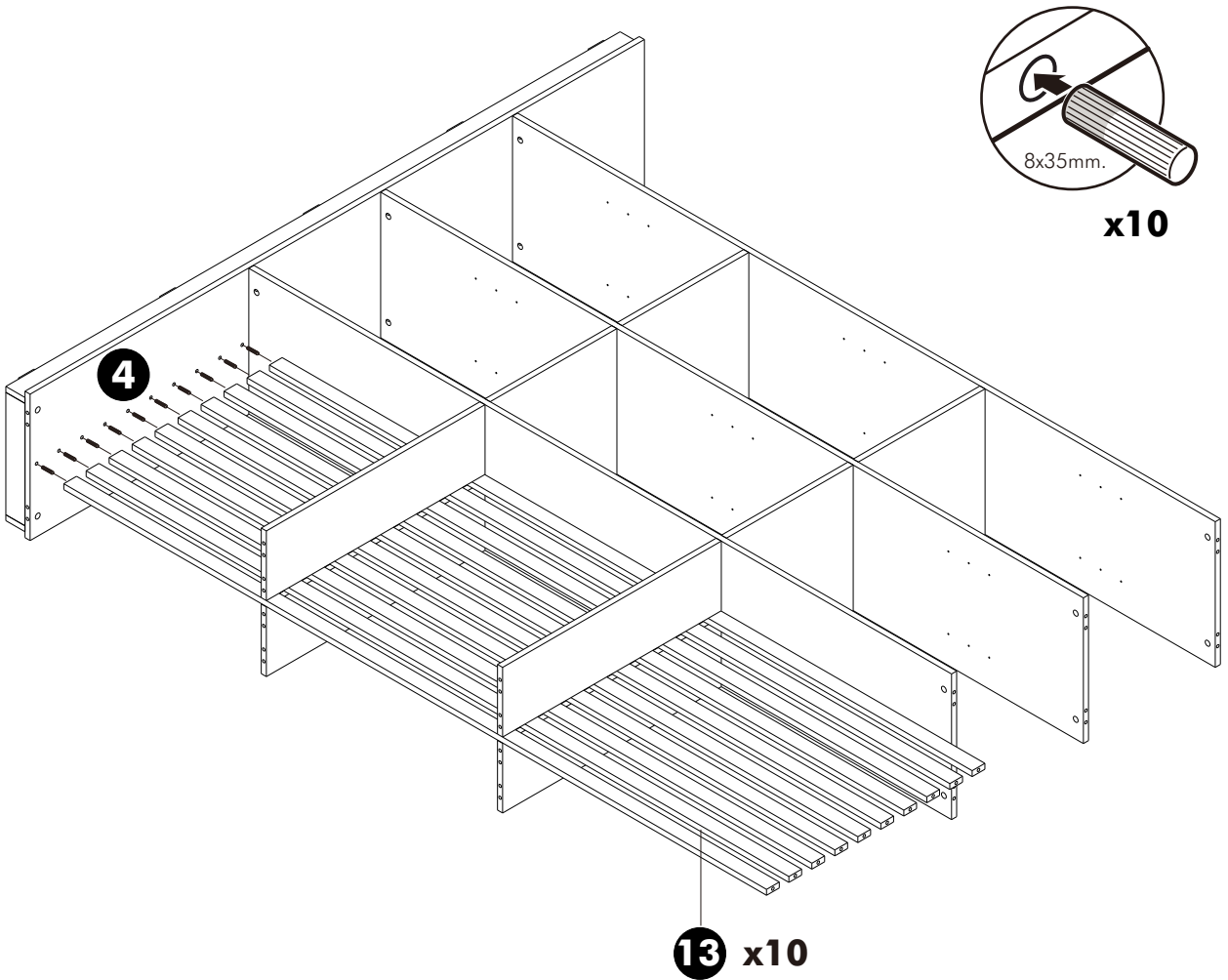
4.



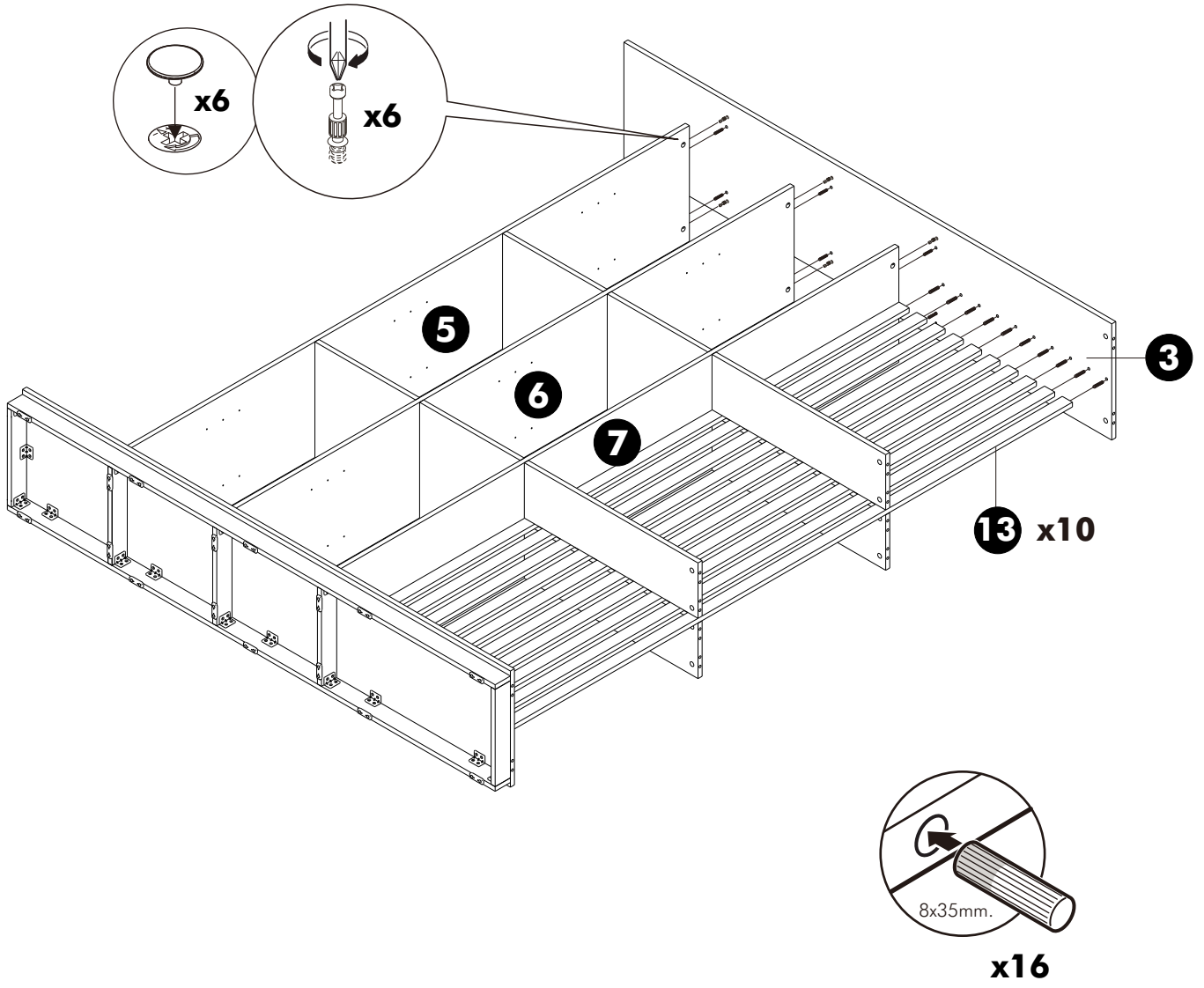
5.



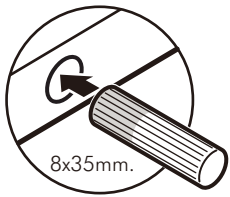
6.



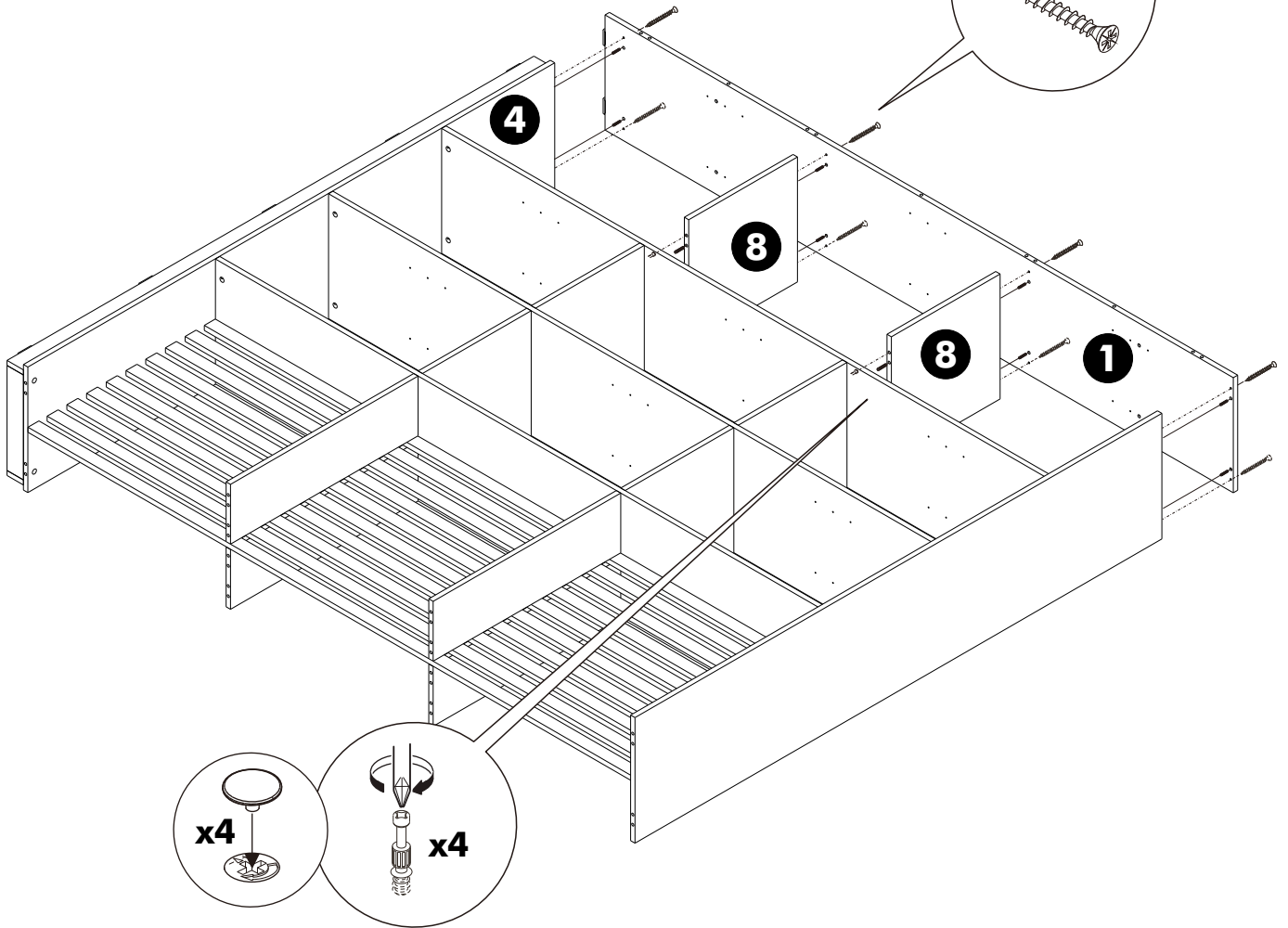
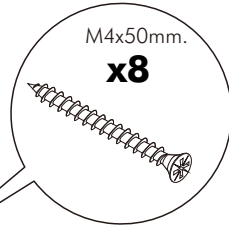
7.



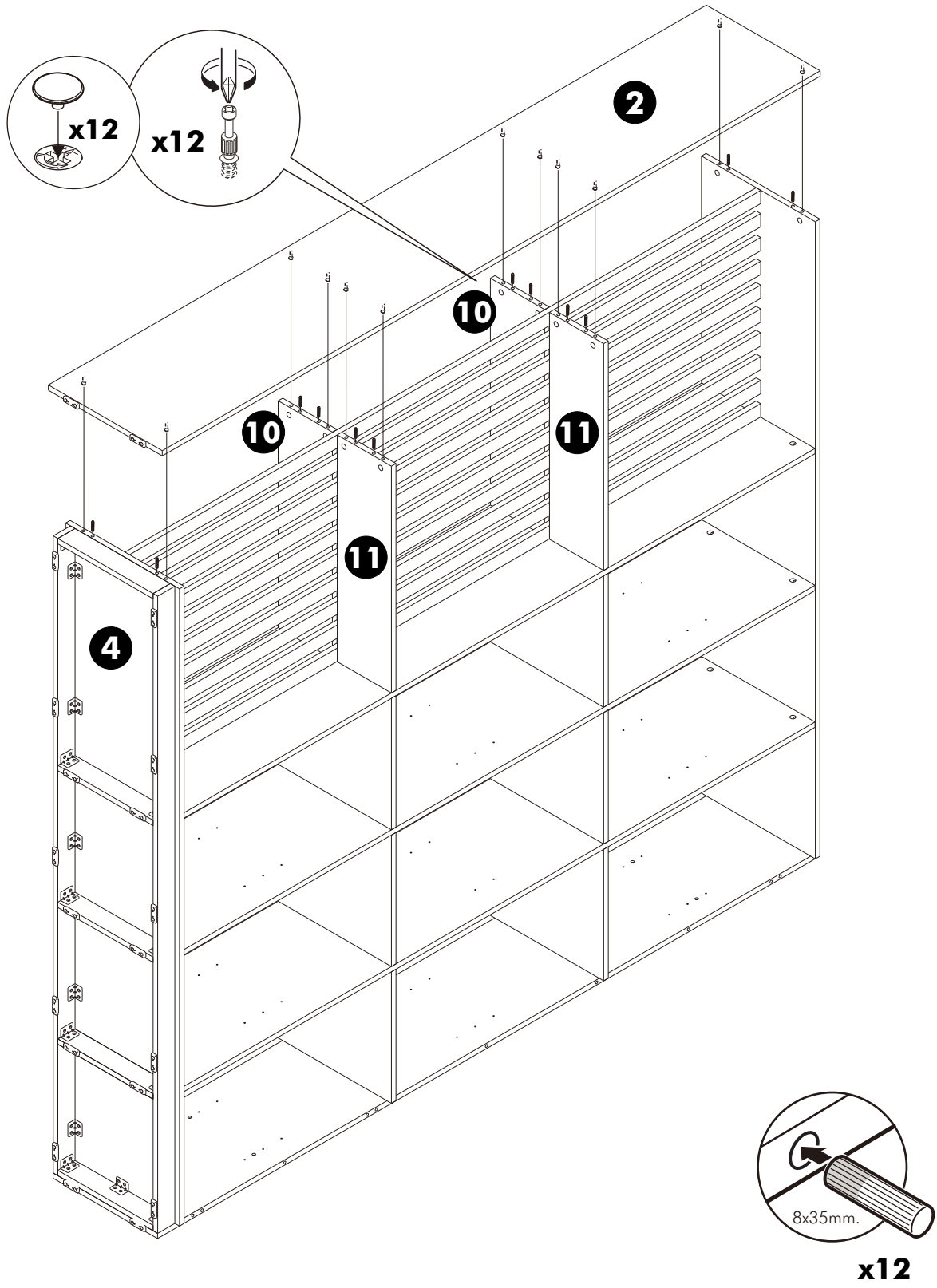
8.



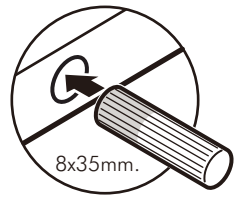
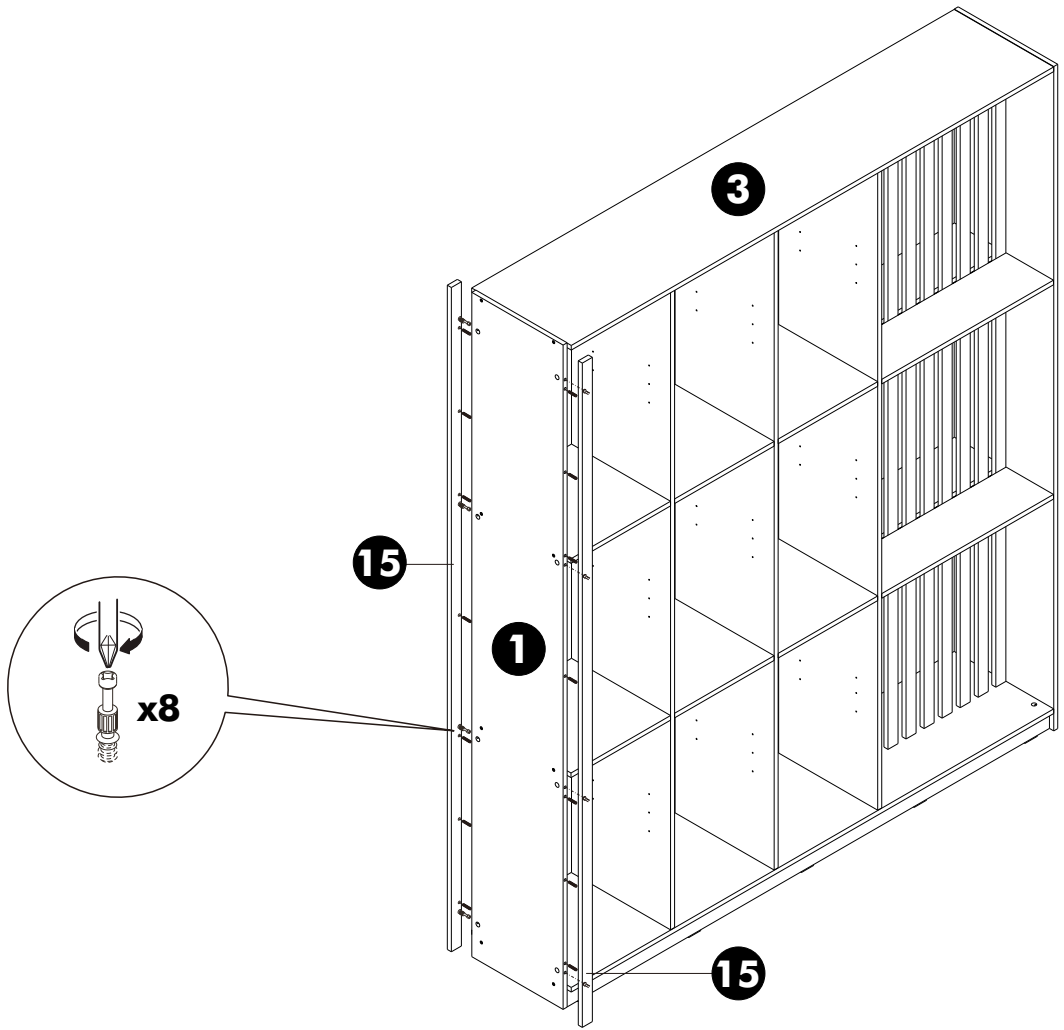
x12



9.

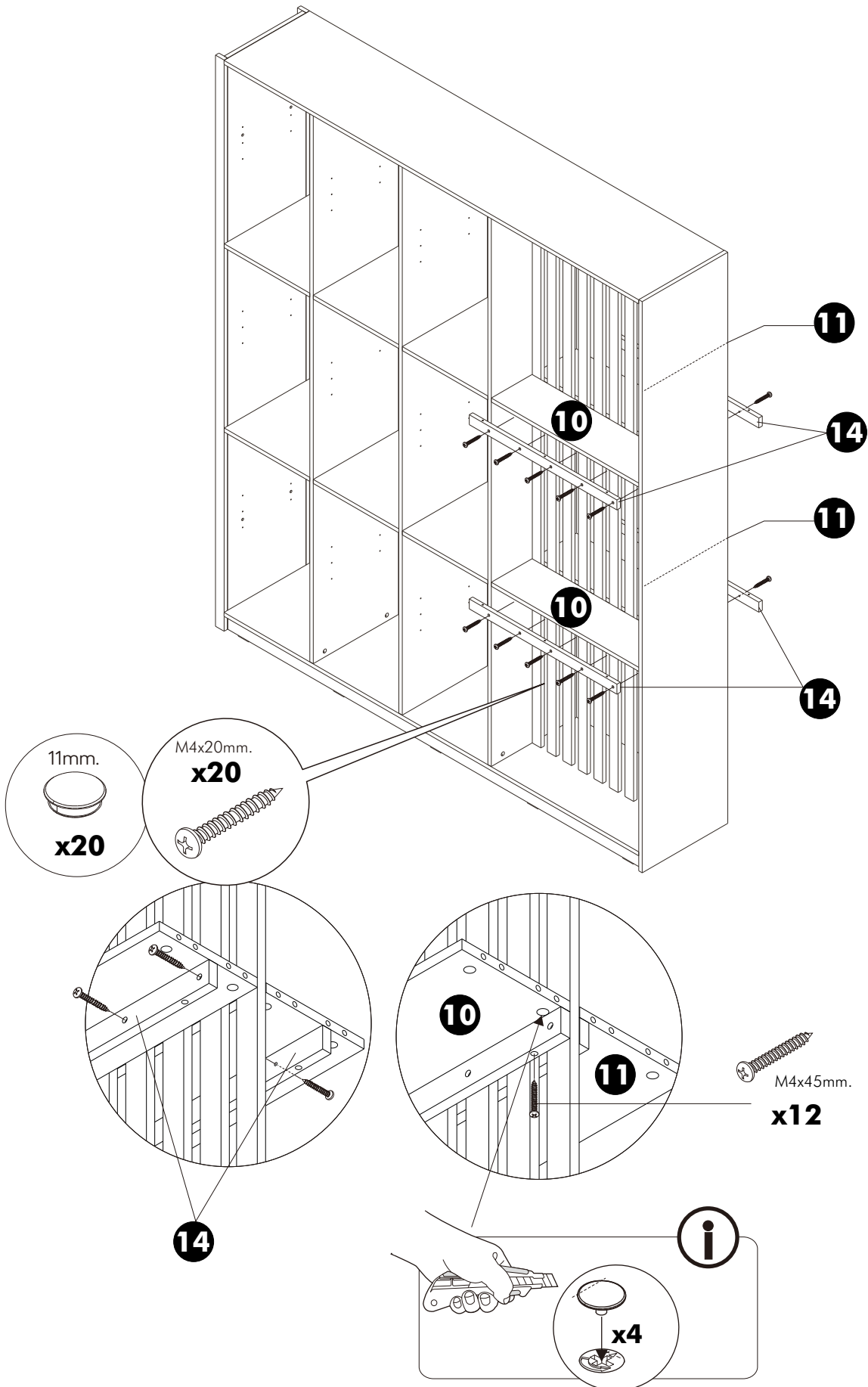


10.

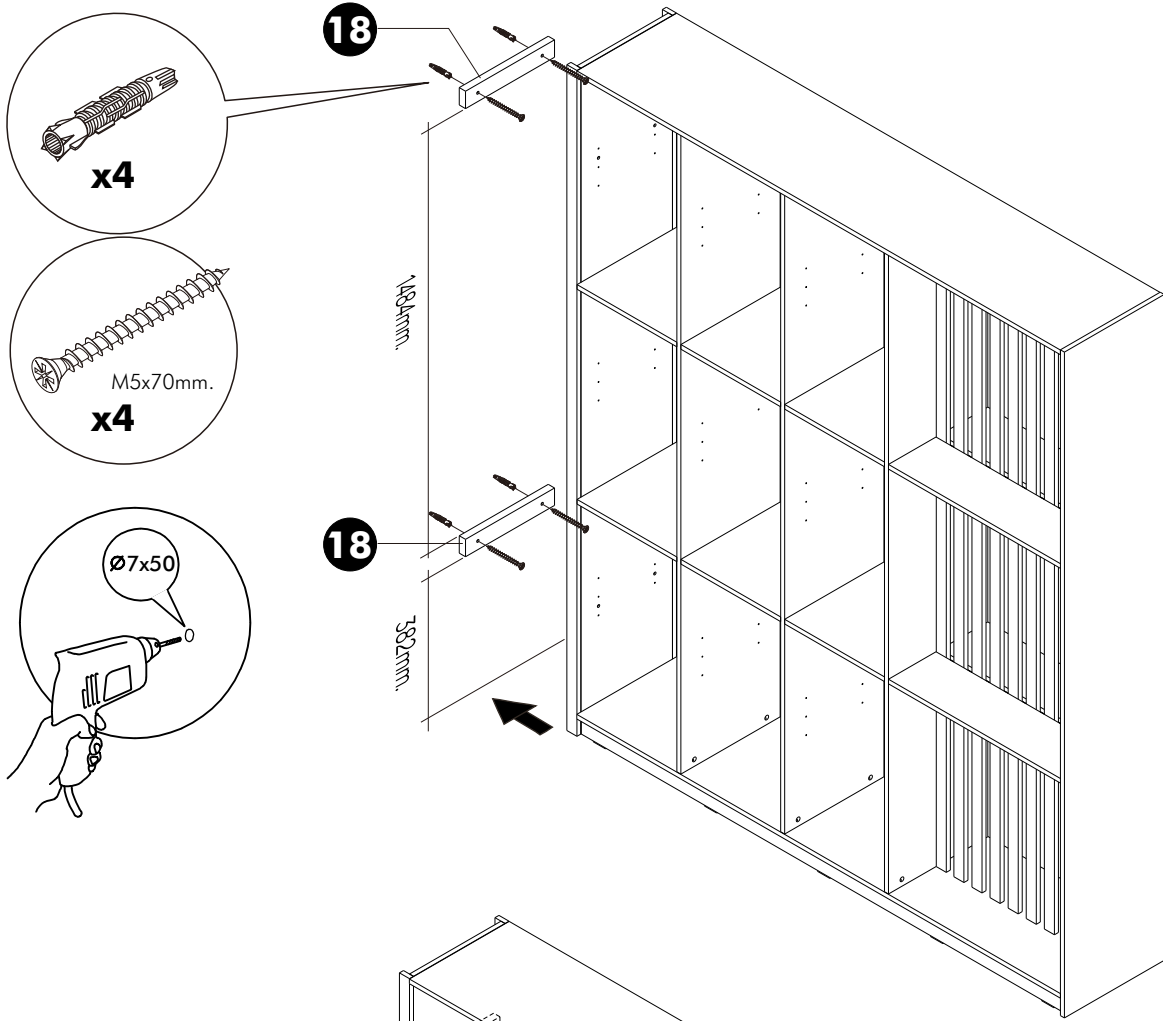


x14

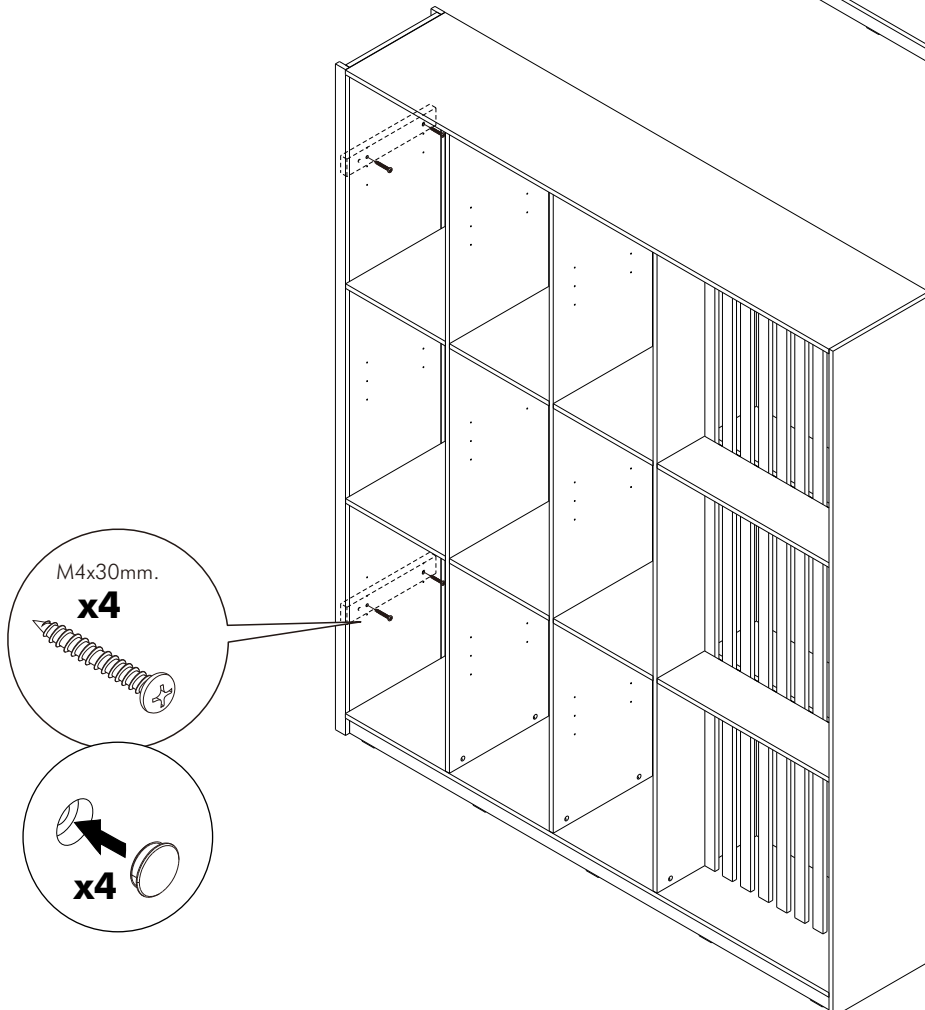
11.



12.



13.



14.

