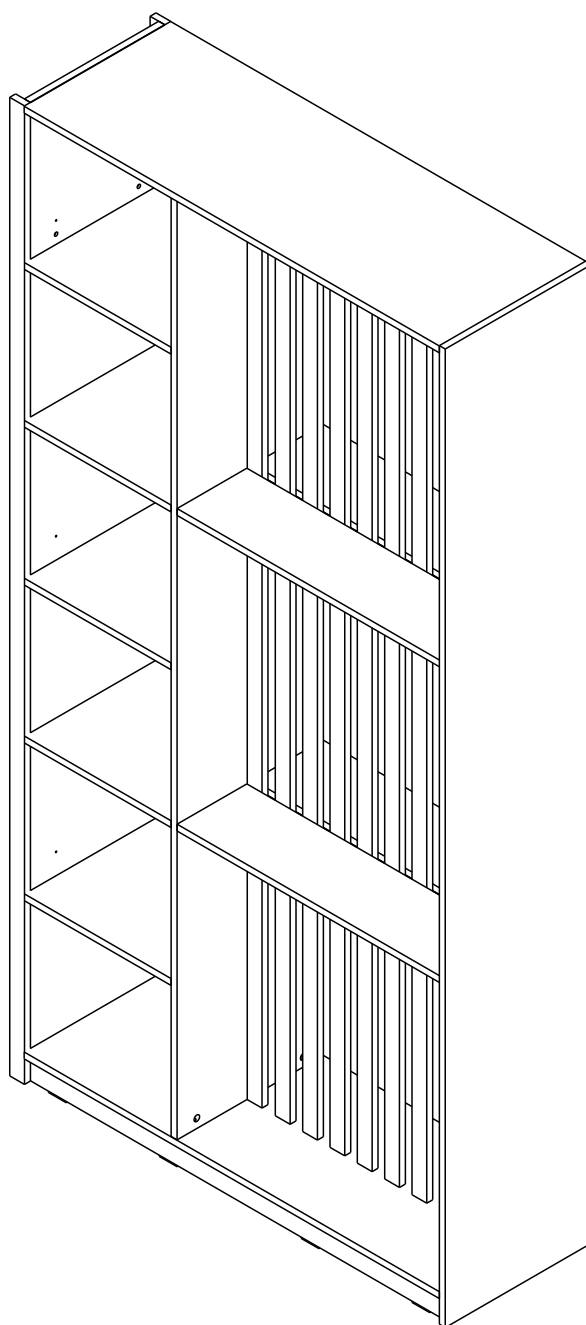


SHIZUOKA

DIVIDER SHELF 118CM



CONNECT SYSTEM

1

3

2

(Connecting bolts)

WHEN FITTING CAMS
 ENSURE STARTING POSITION IS CORRECT
 BEFORE YOU INSERT CONNECTING BOLT
 TURN CLOCKWISE UNTIL SECURE

✓				✗
	↑			
	CORRECT		WRONG	

M4x16mm.

M4x16mm.

i

40mm.

☹️

☒

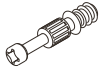
EQ

☺️

☑️

HARDWARE

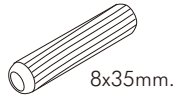
-BODY SET



x 28

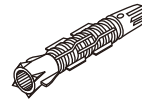


x 28

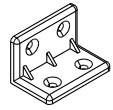


8x35mm.

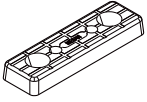
x 70



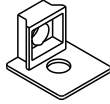
x 4



x 17



x 14



x 12



x 20



∅ 11mm.

x 24



M4x20mm.

x 20



M4x30mm.

x 4



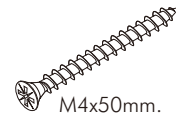
M4x45mm.

x 12



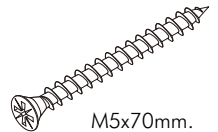
M4x16mm.

x 108



M4x50mm.

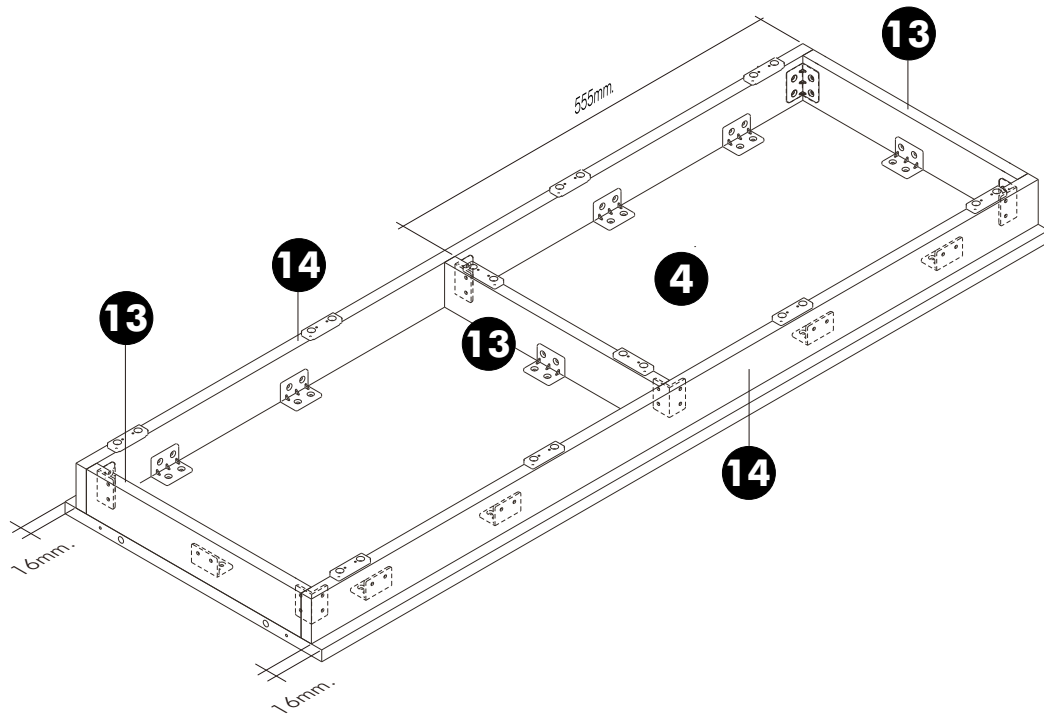
x 16



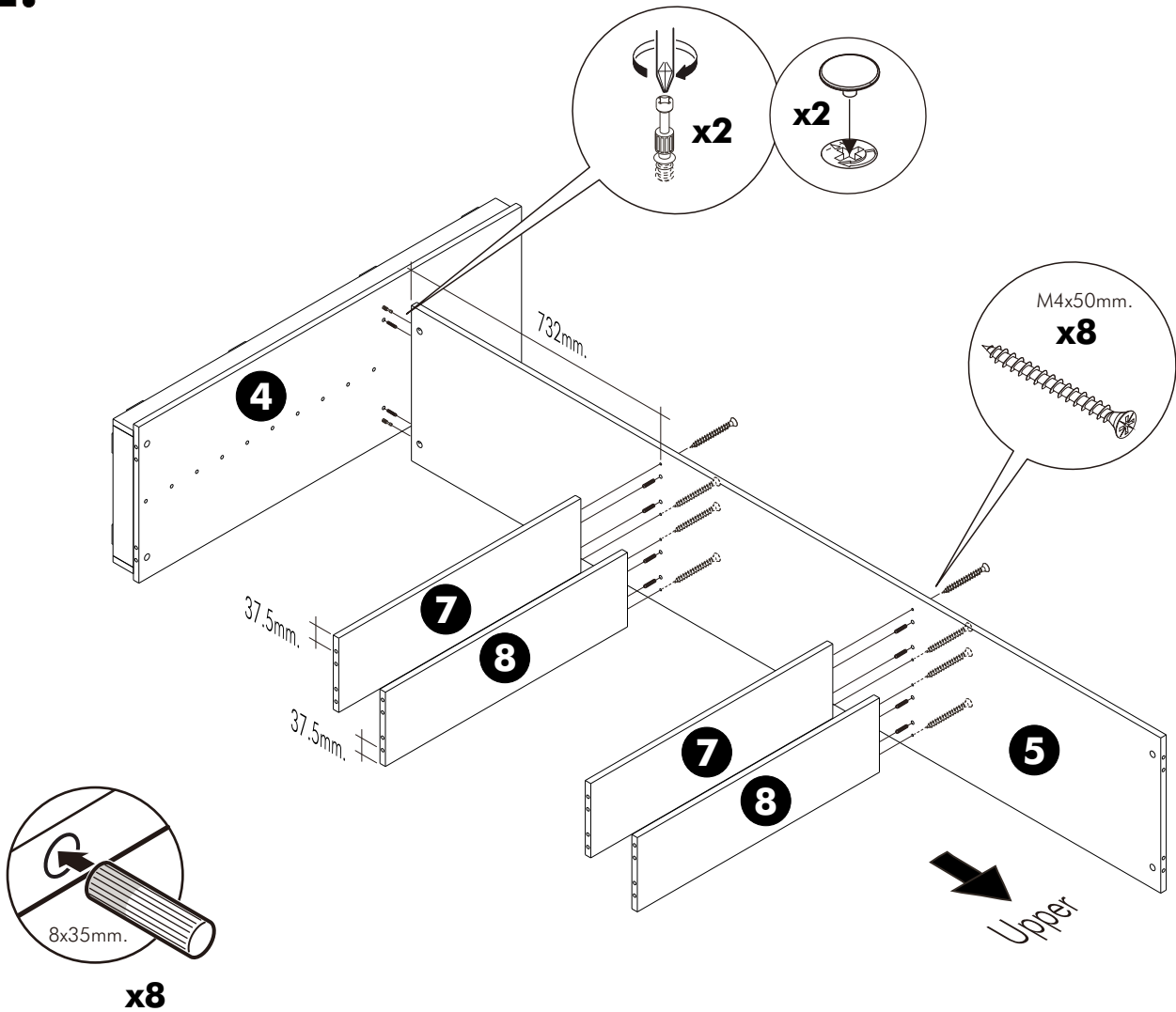
M5x70mm.

x 4

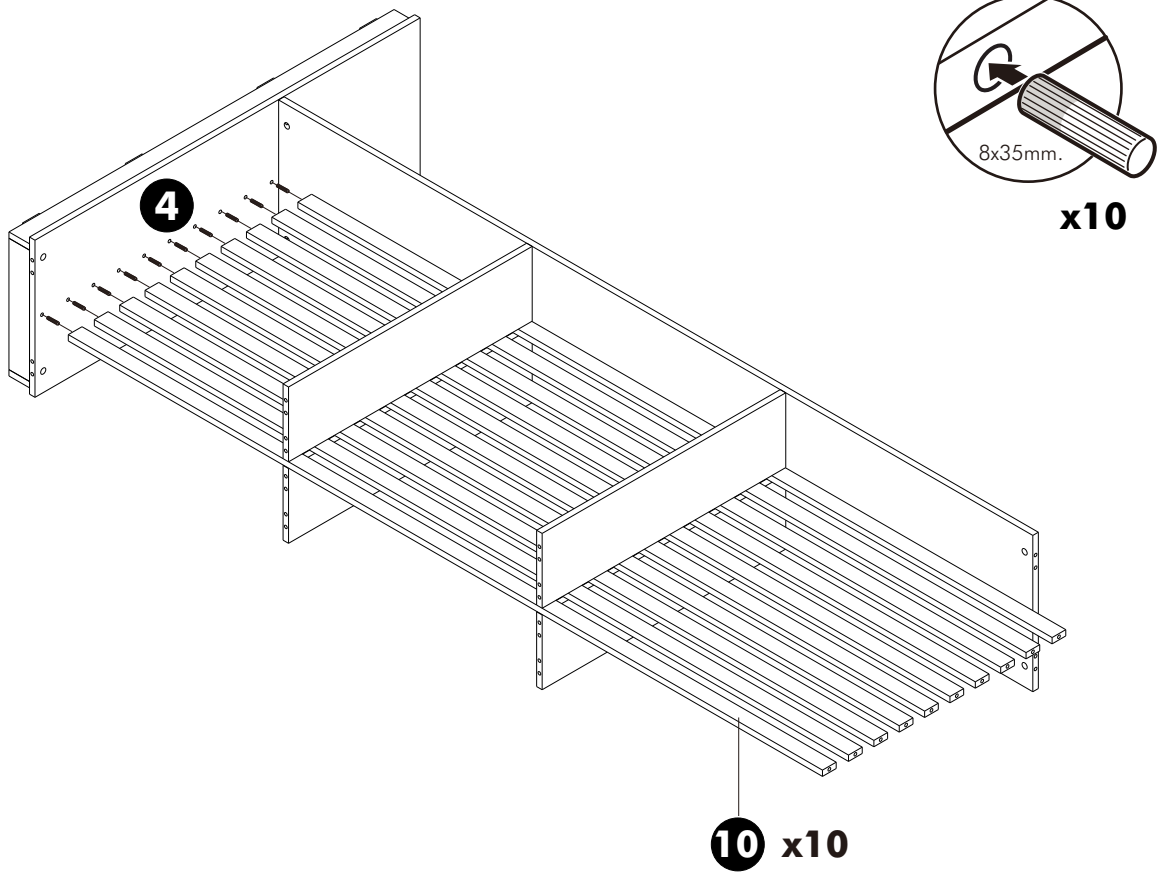
1.



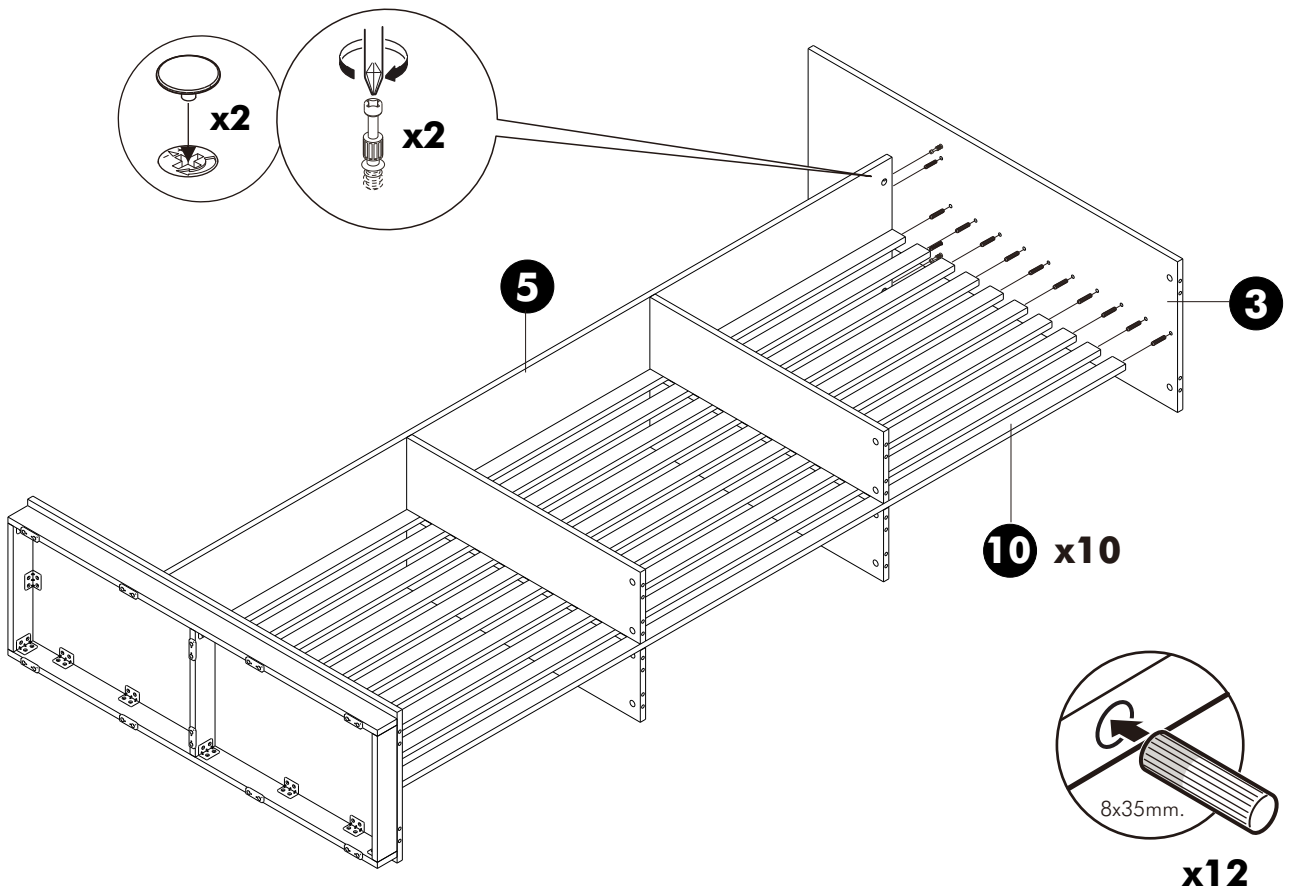
2.



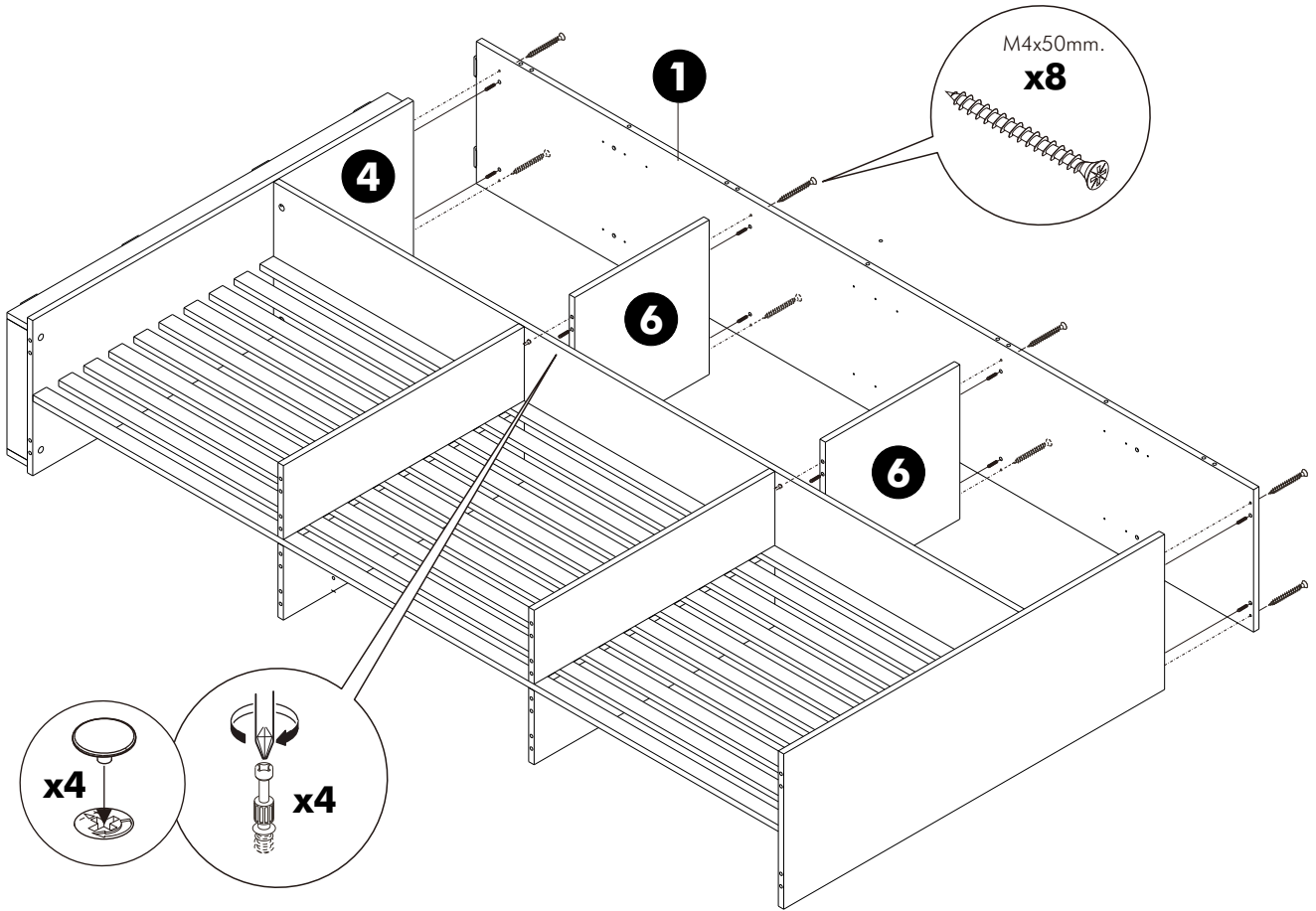
3.



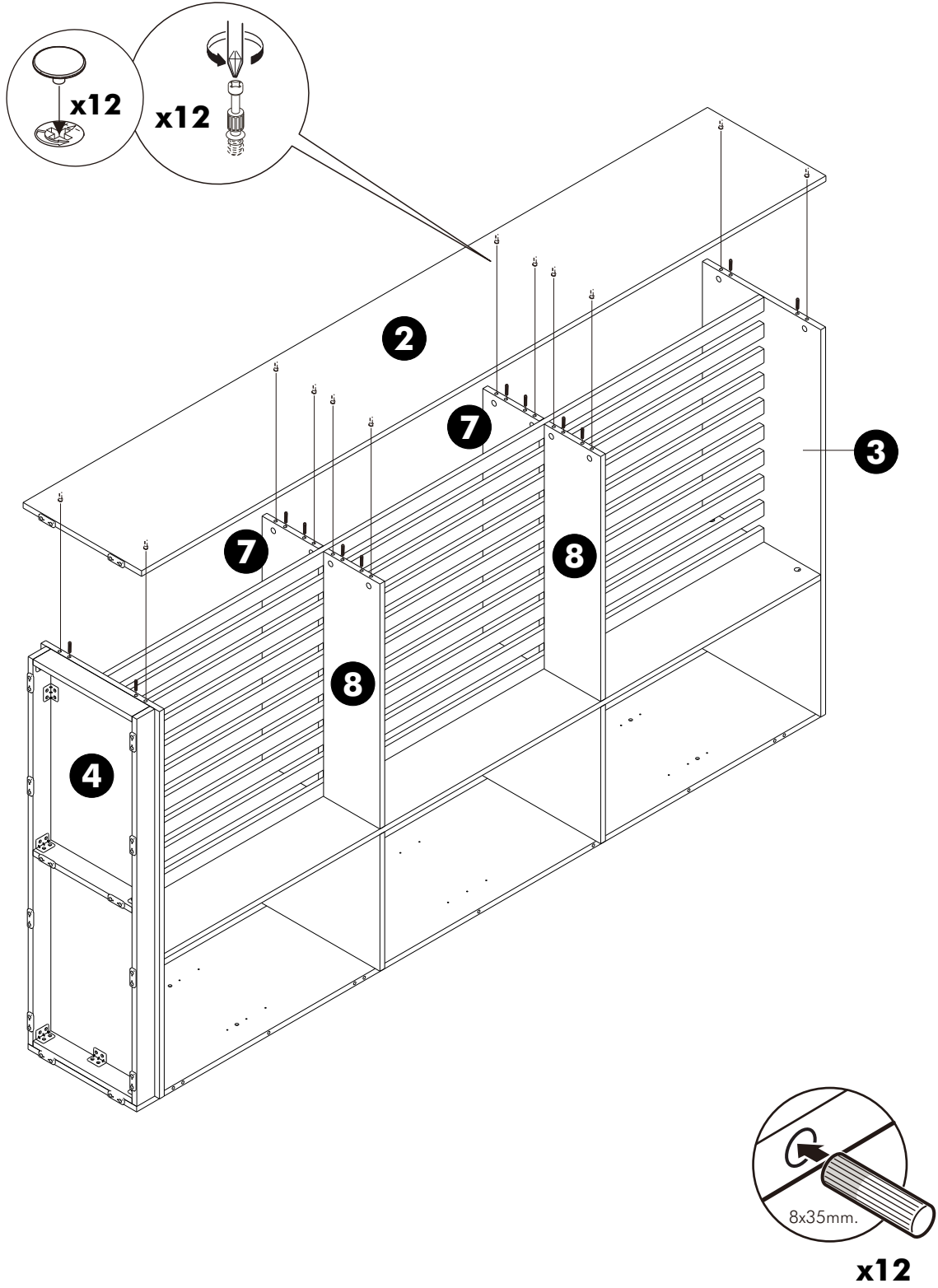
4.



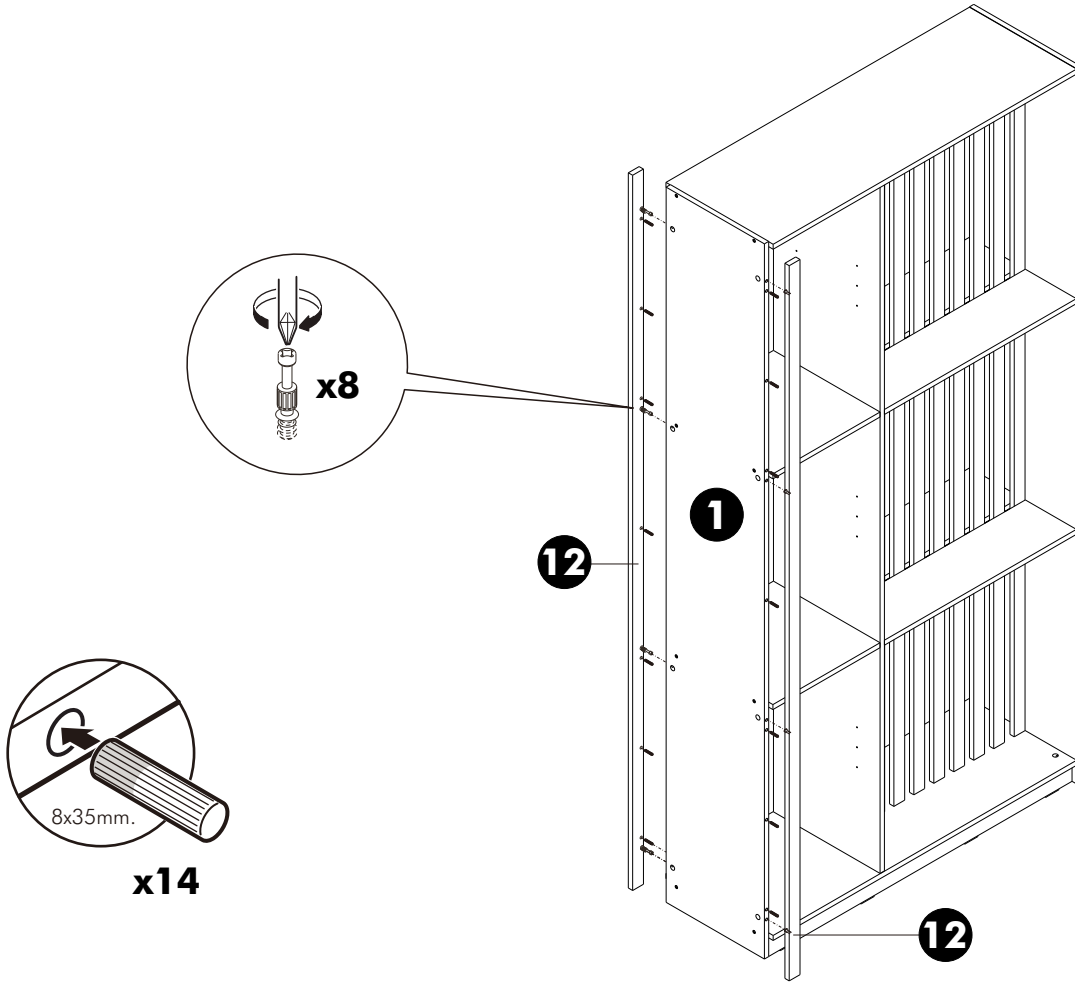
5.



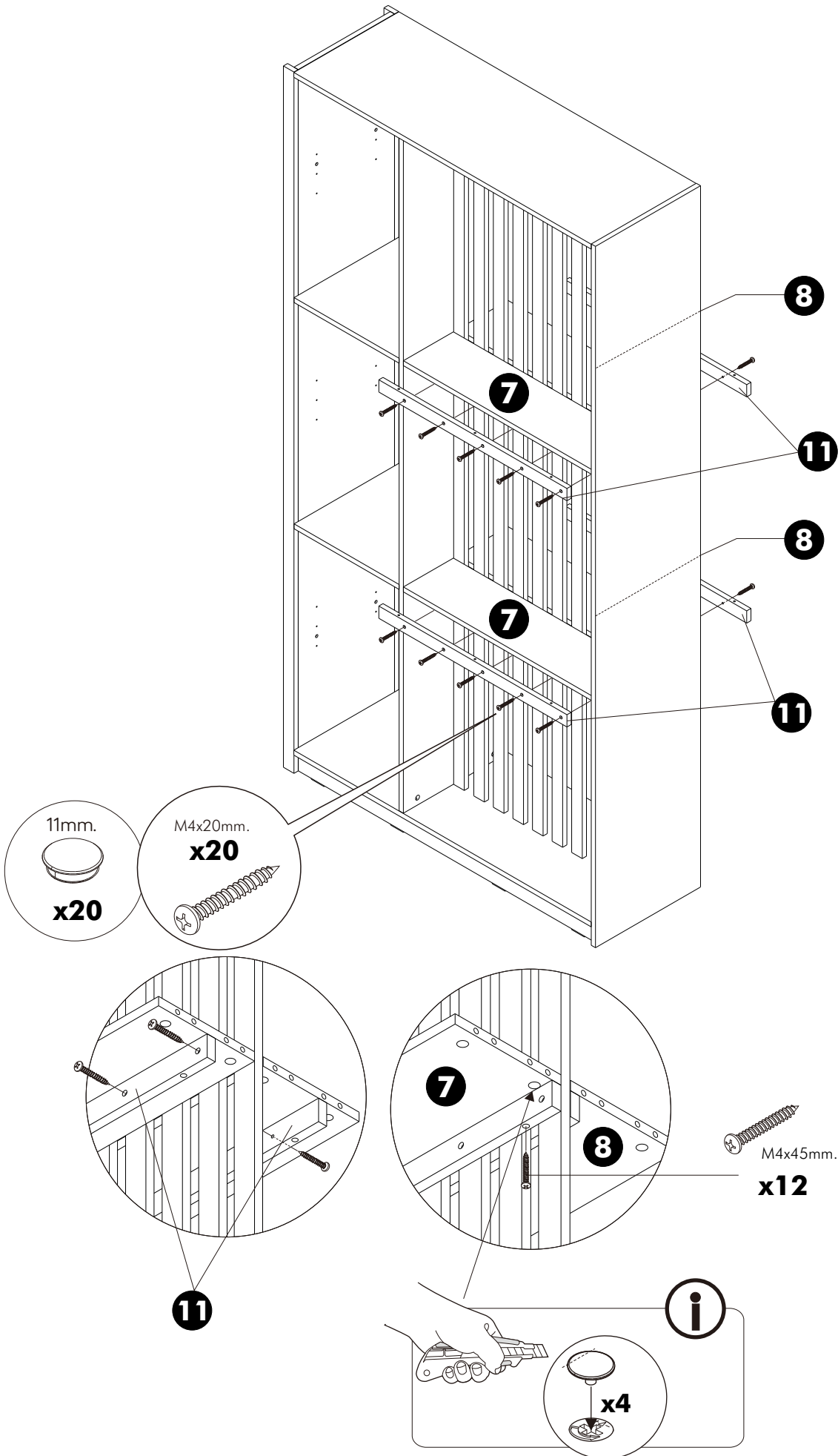
6.



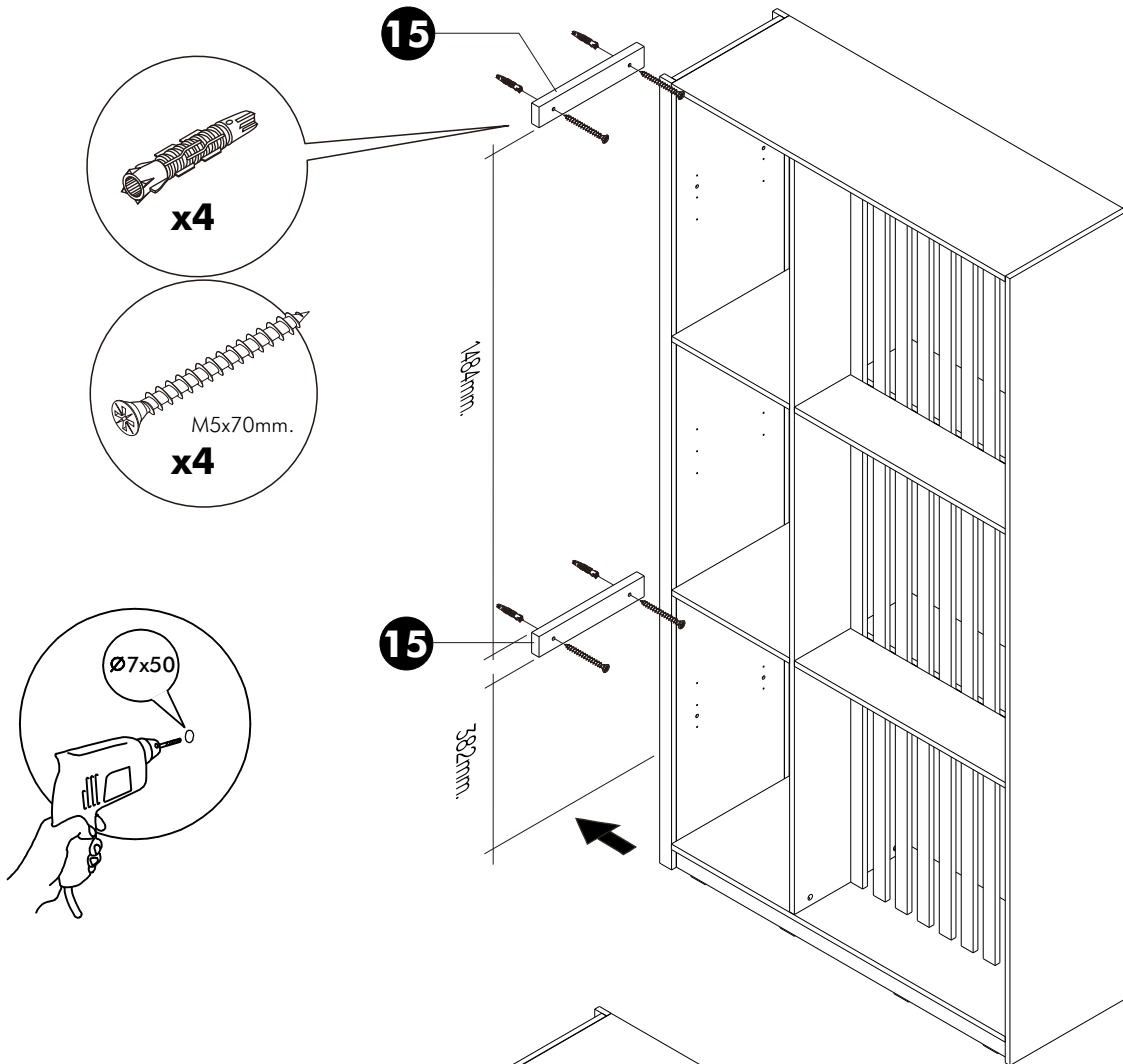
7.



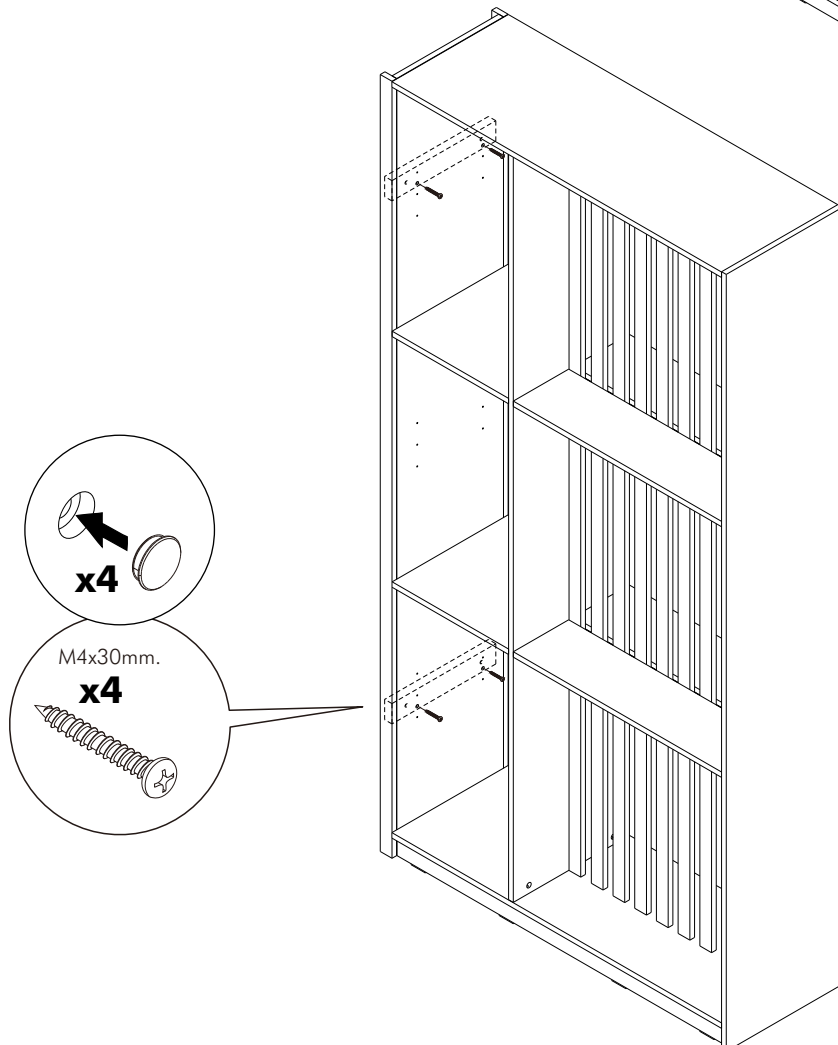
8.



9.



10.



11.

