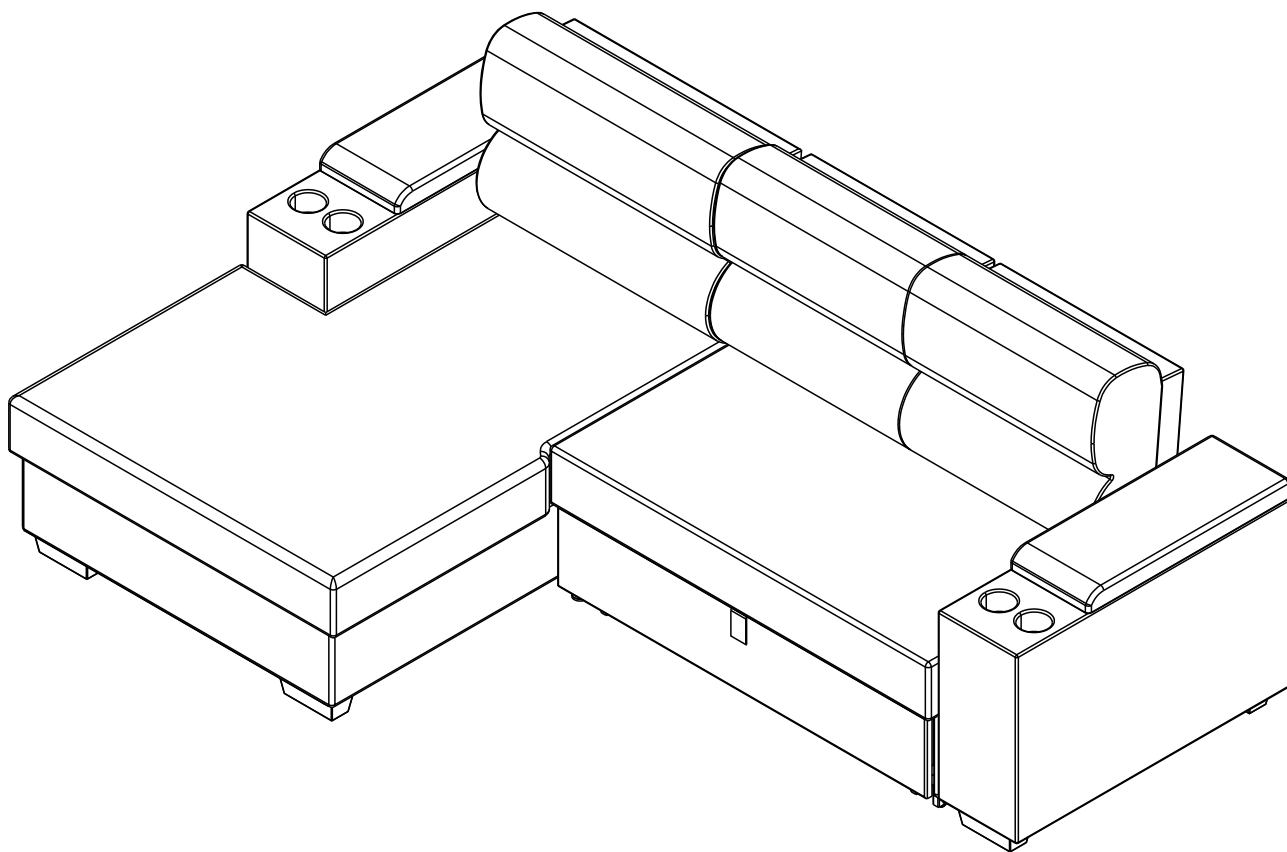


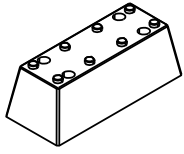
# DOMINIC

SOFA L-SH FUNC/R

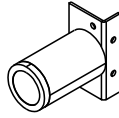


# HARDWARE

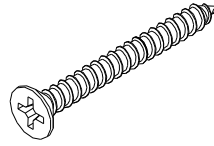
-BODY SET



**x 6**

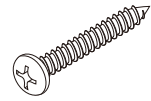


**x 2**



F+M5 x 50 mm.

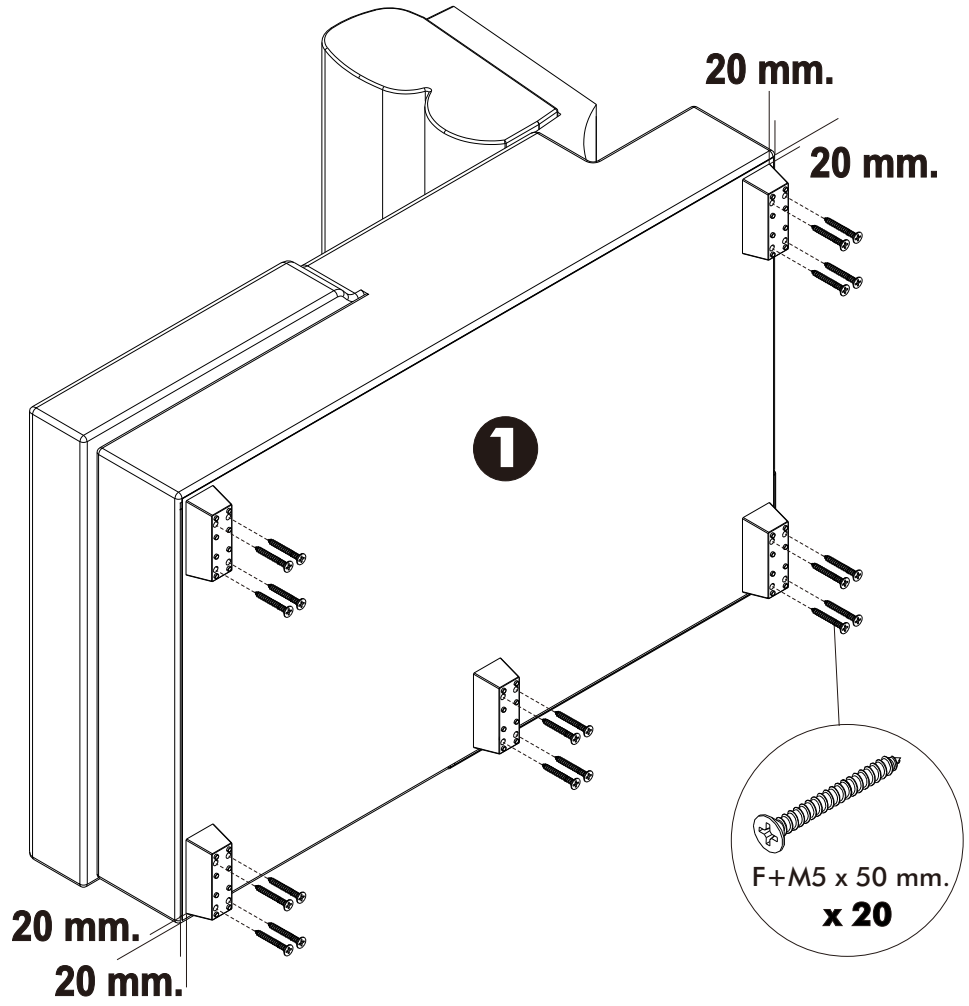
**x 28**



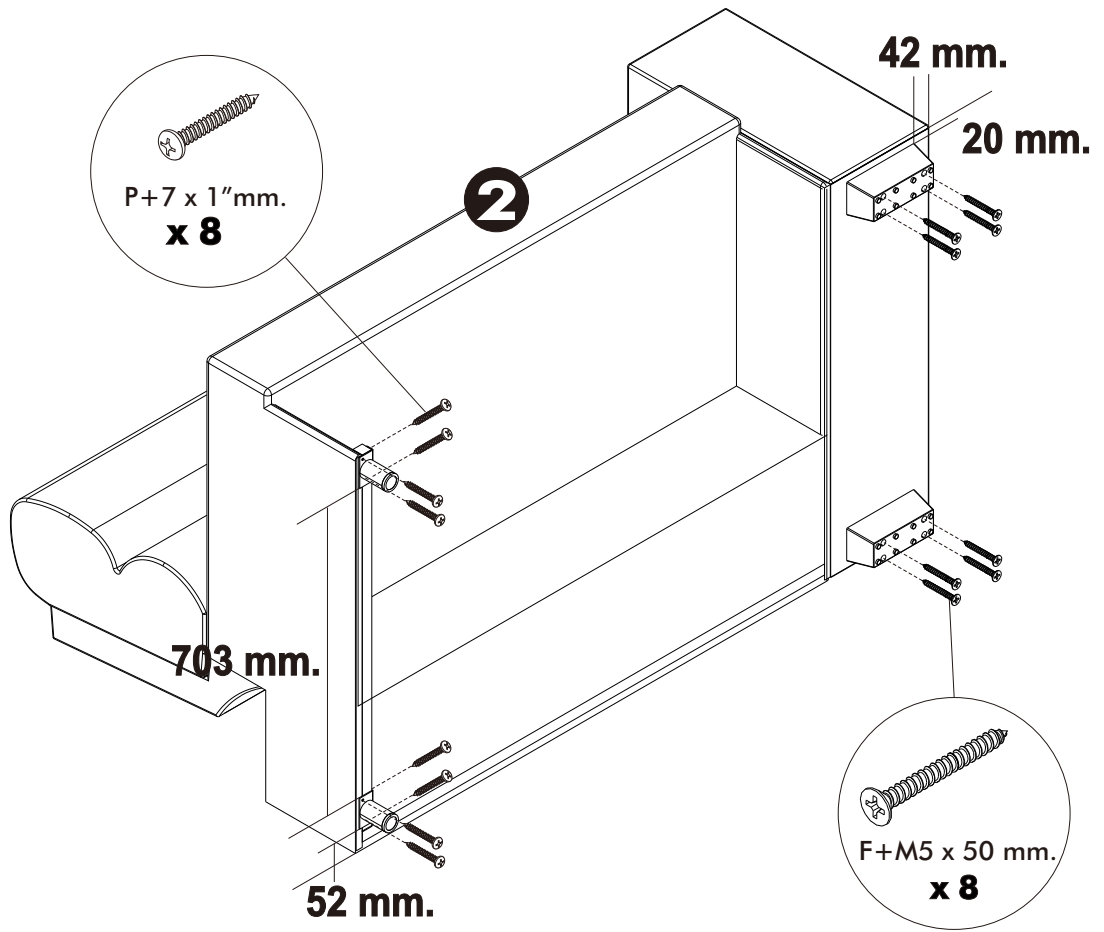
P+7 x 1"mm.

**x 8**

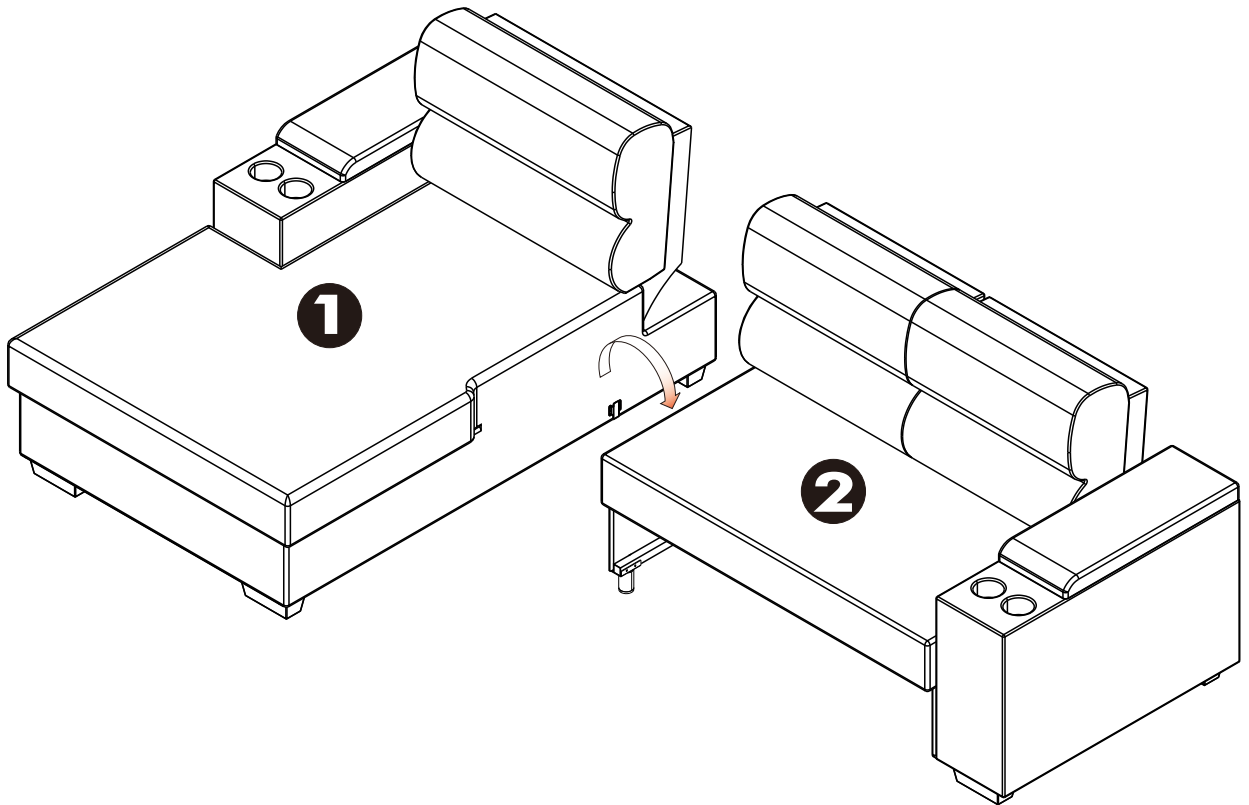
**1.**



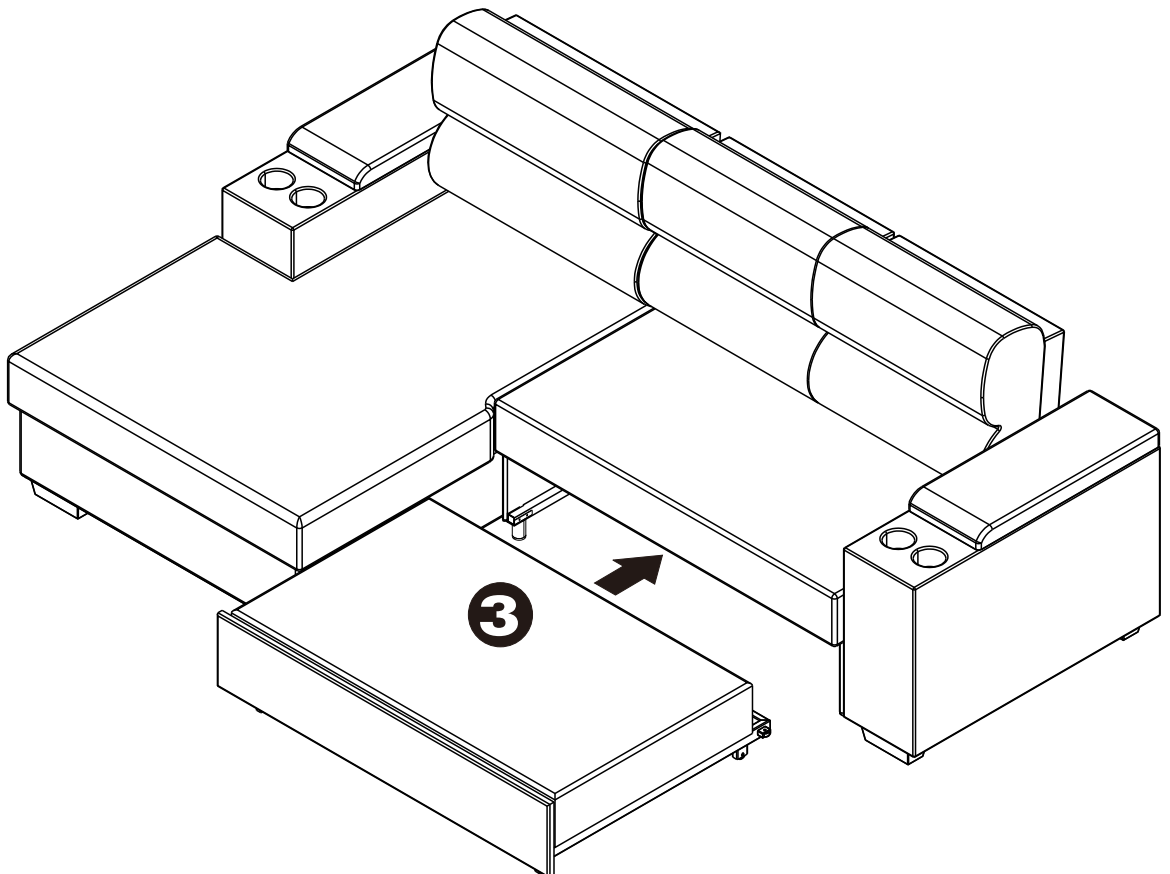
**2.**



**3.**



**4.**



3.

