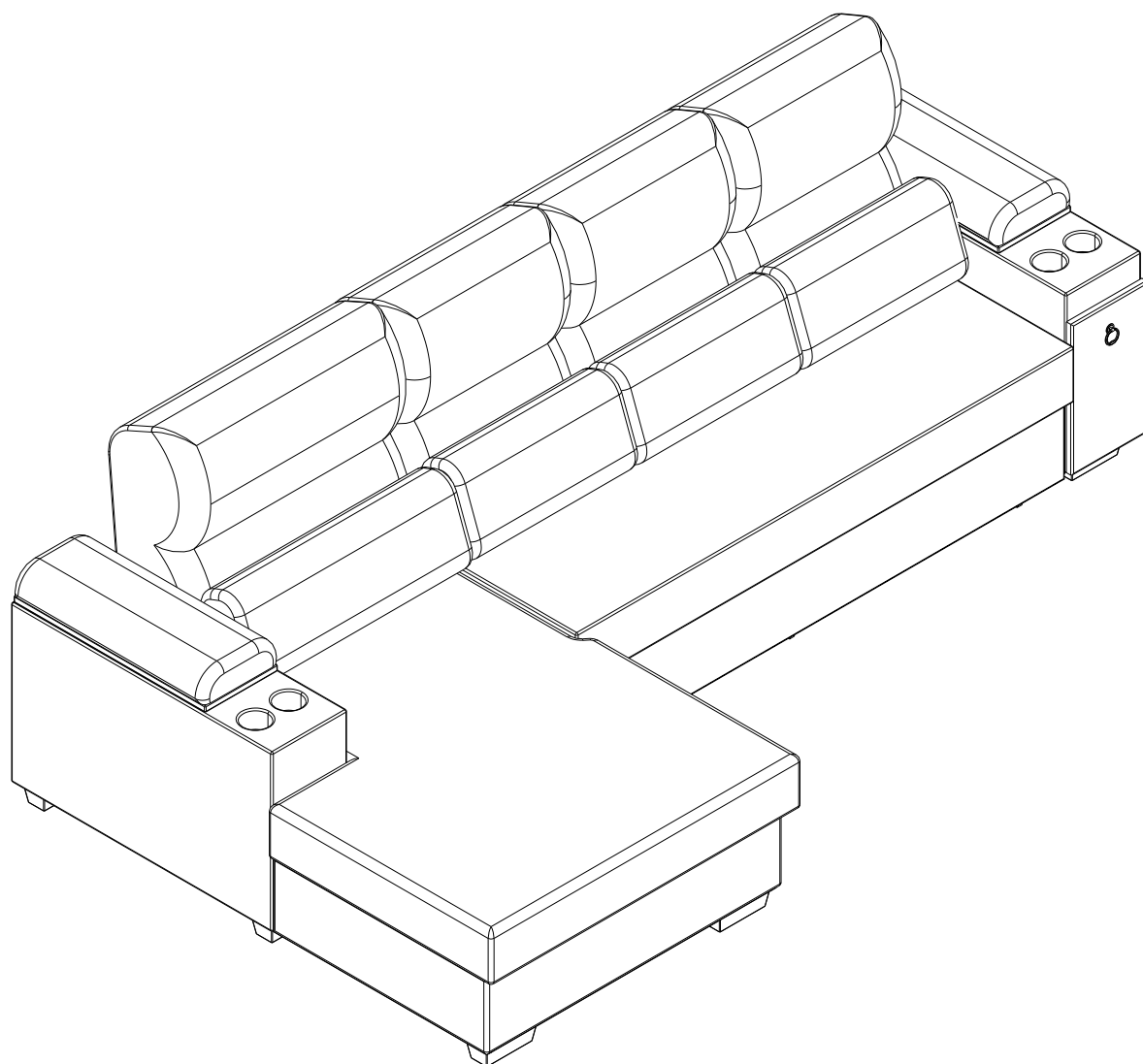


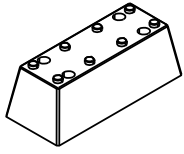
# DOMINO

SOFA L-SHAPE/R

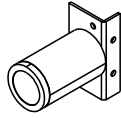


# HARDWARE

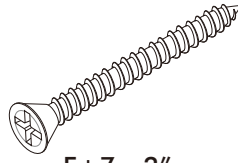
## -BODY SET



**x 7**

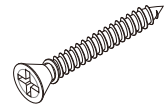


**x 2**



F+7 x 2"mm.

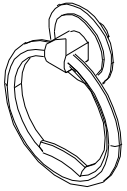
**x 28**



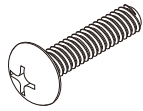
F+8 x 1"mm.

**x 8**

## -DRAWER SET



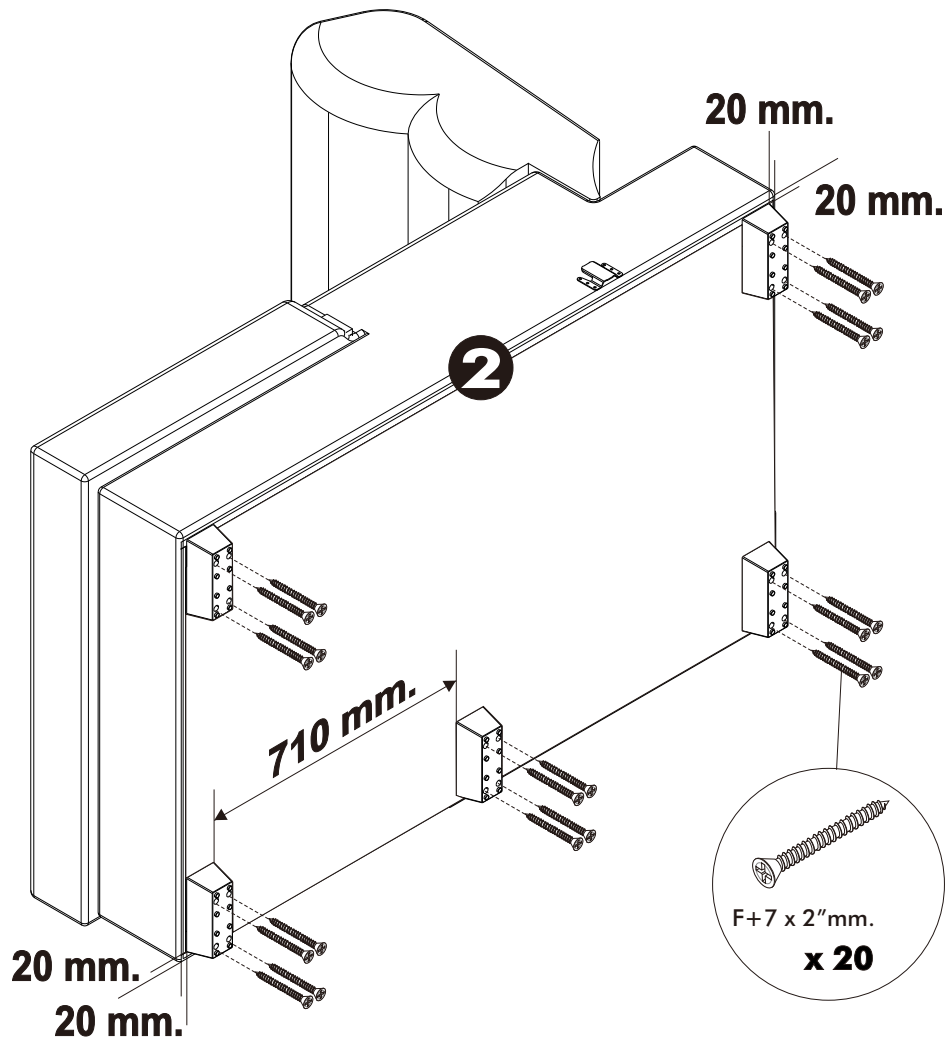
**x 1**



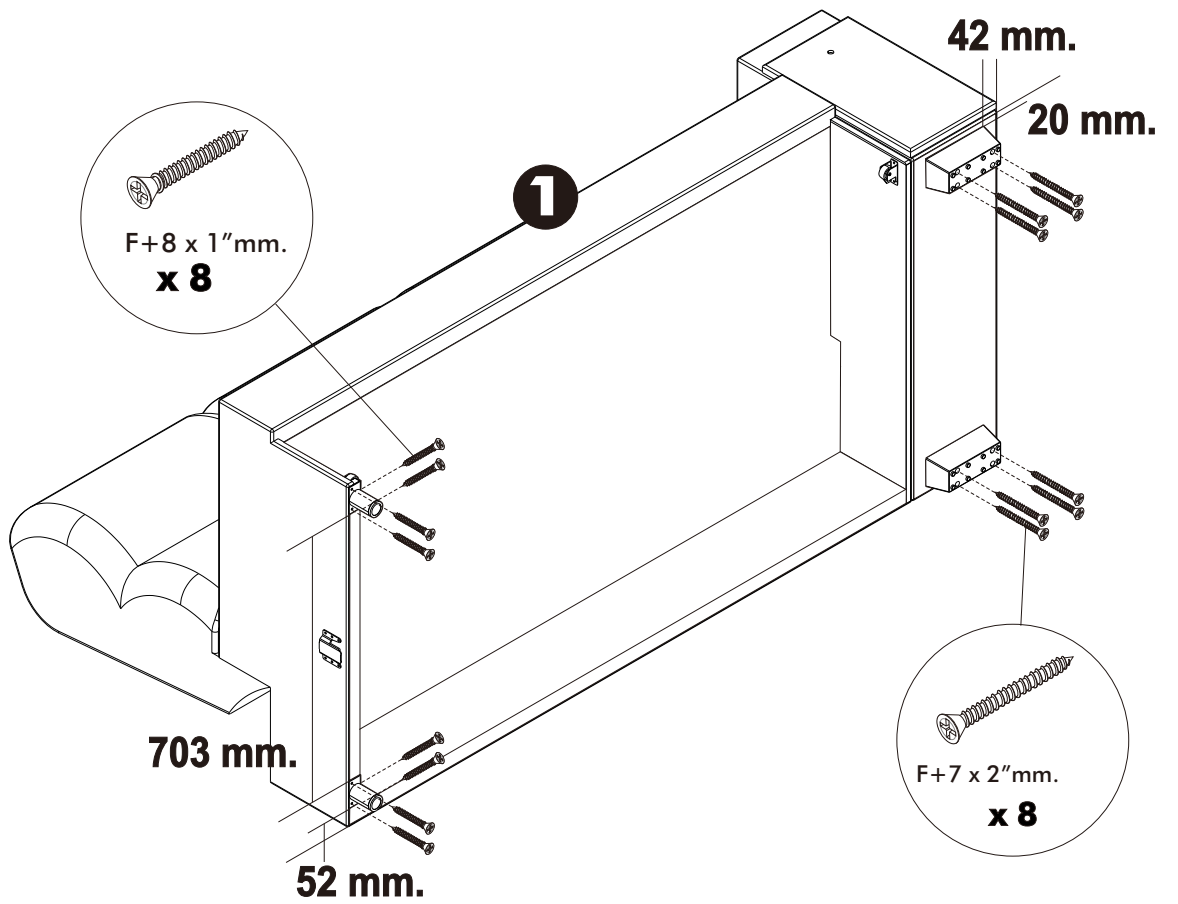
T+M4 x 15mm.

**x 1**

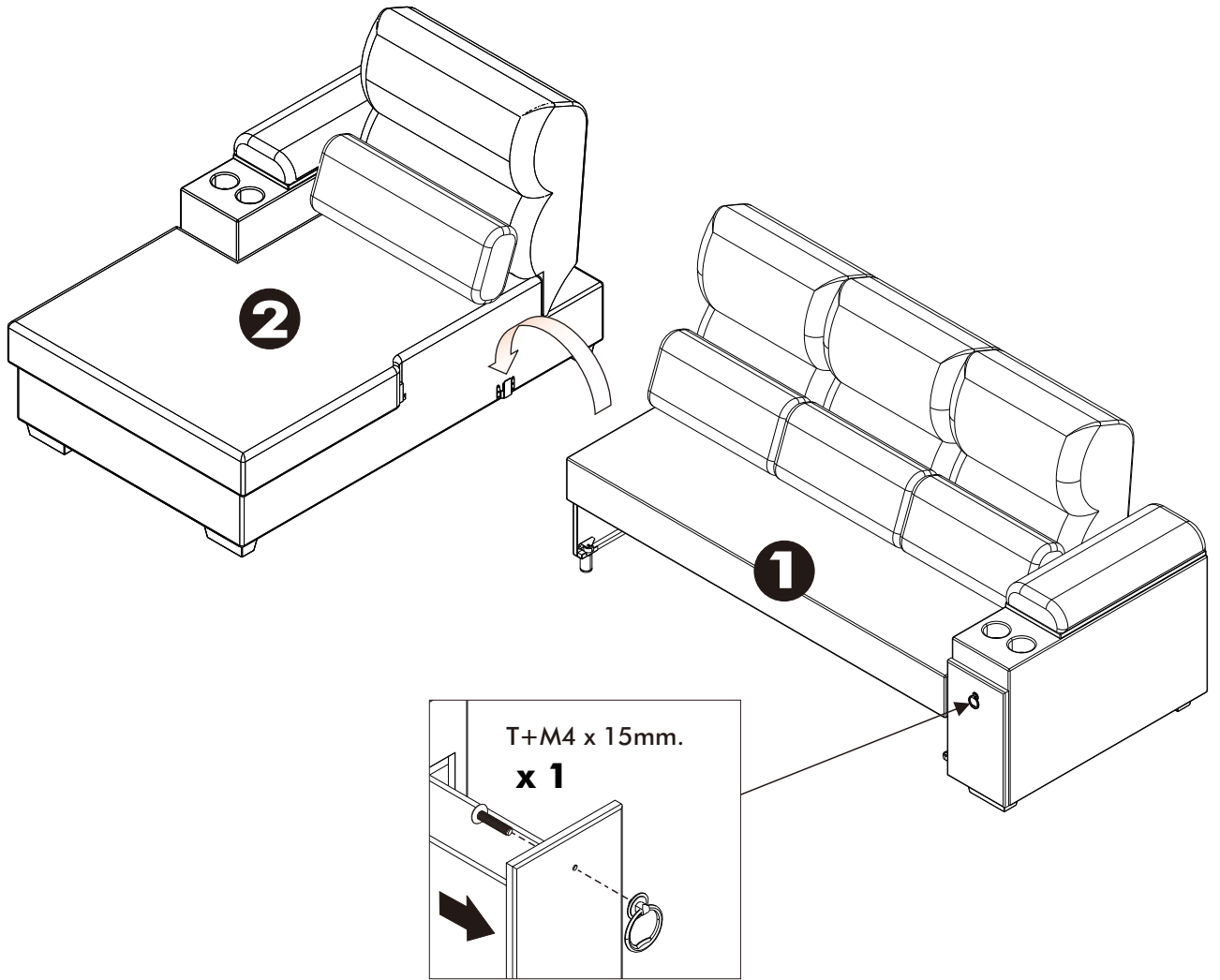
1.



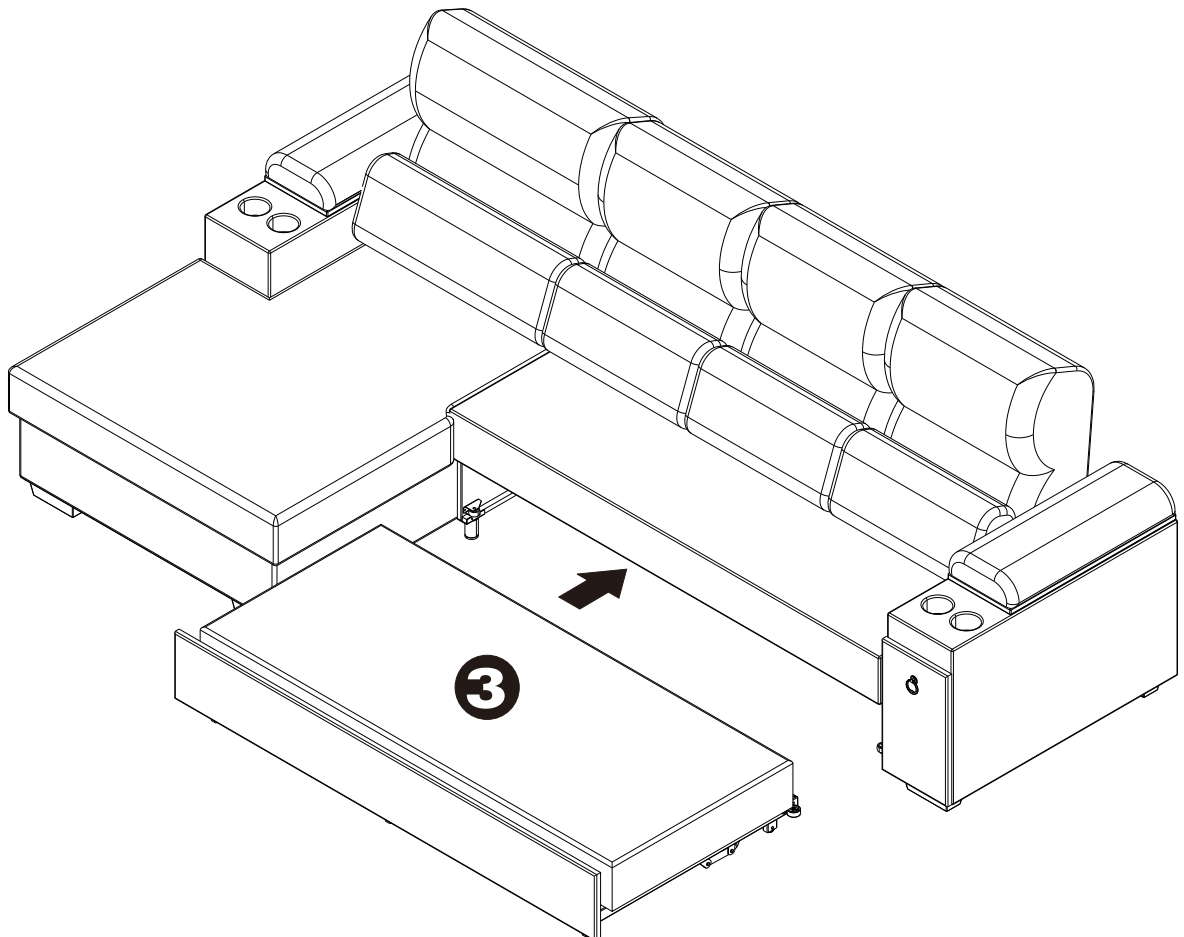
2.



**3.**



**4.**



3.

