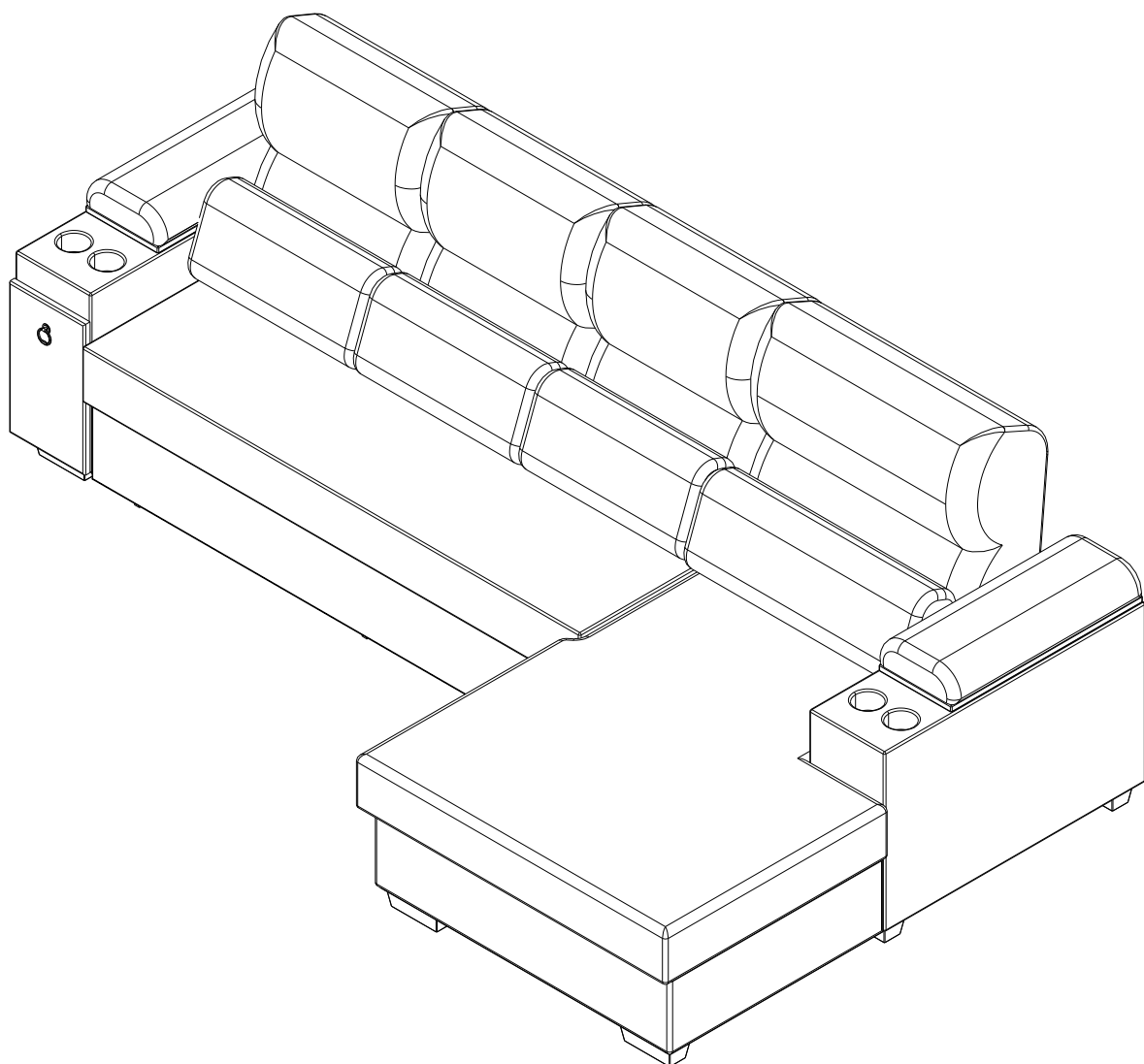


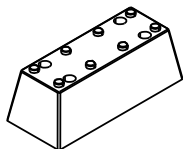
DOMINO

SOFA L-SHAPE/L

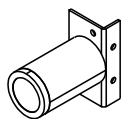


HARDWARE

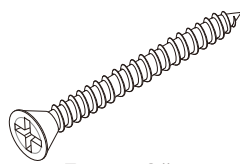
-BODY SET



x 7

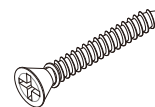


x 2



F+7 x 2"mm.

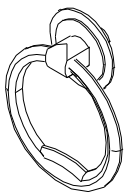
x 28



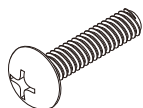
F+8 x 1"mm.

x 8

-DRAWER SET



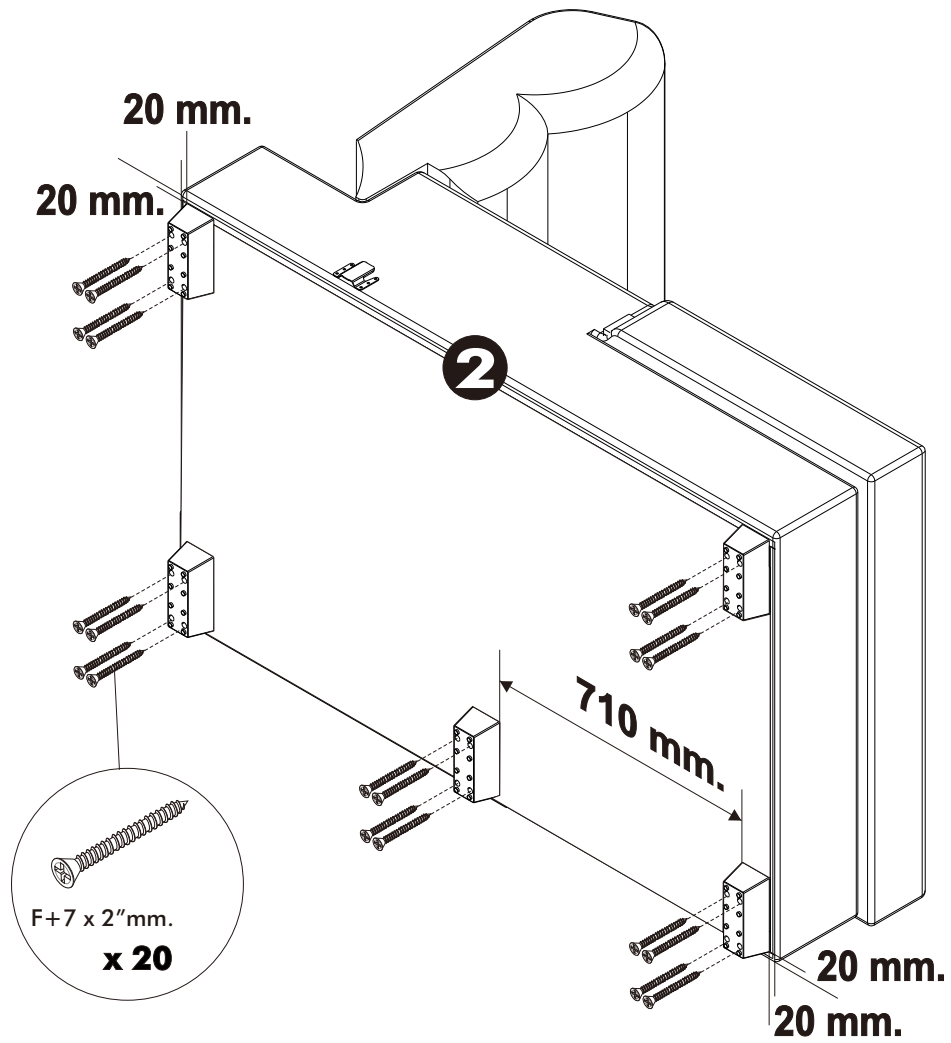
x 1



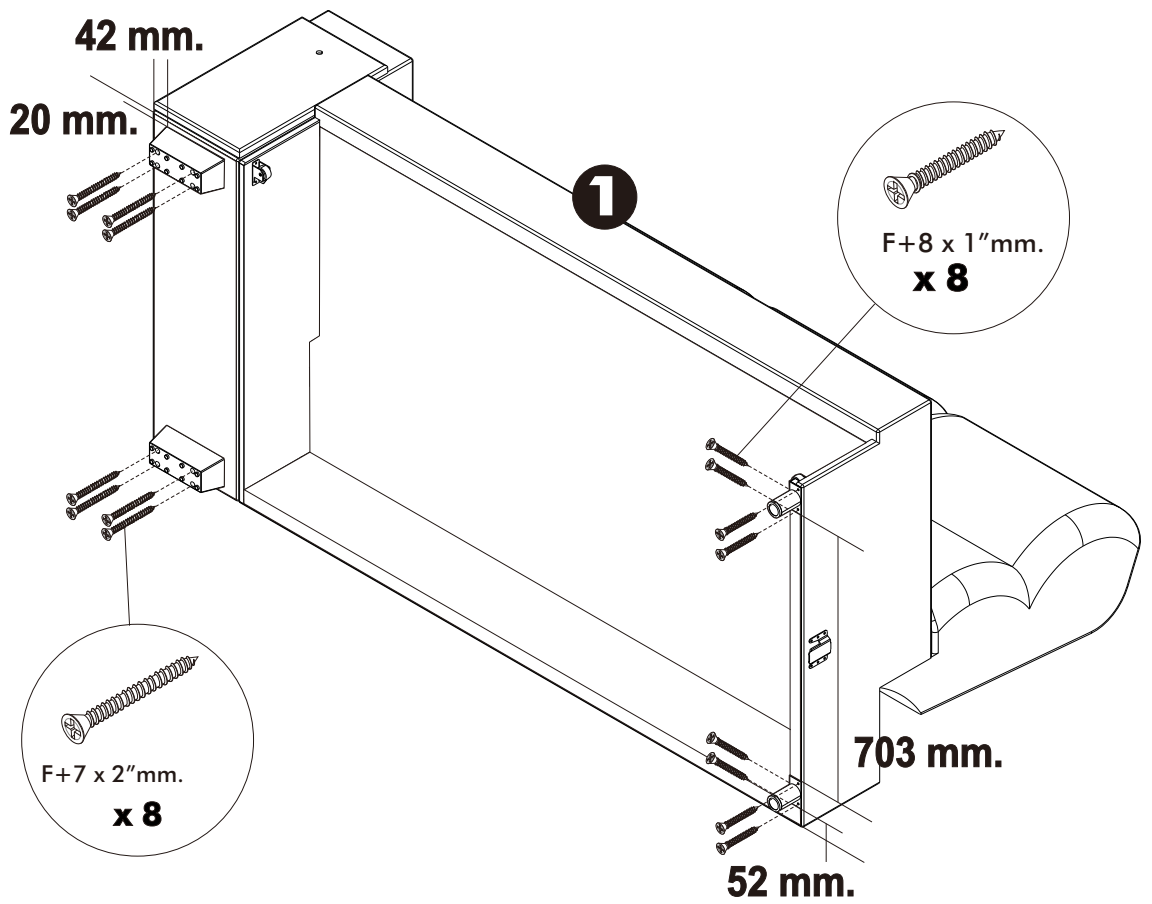
T+M4 x 15mm.

x 1

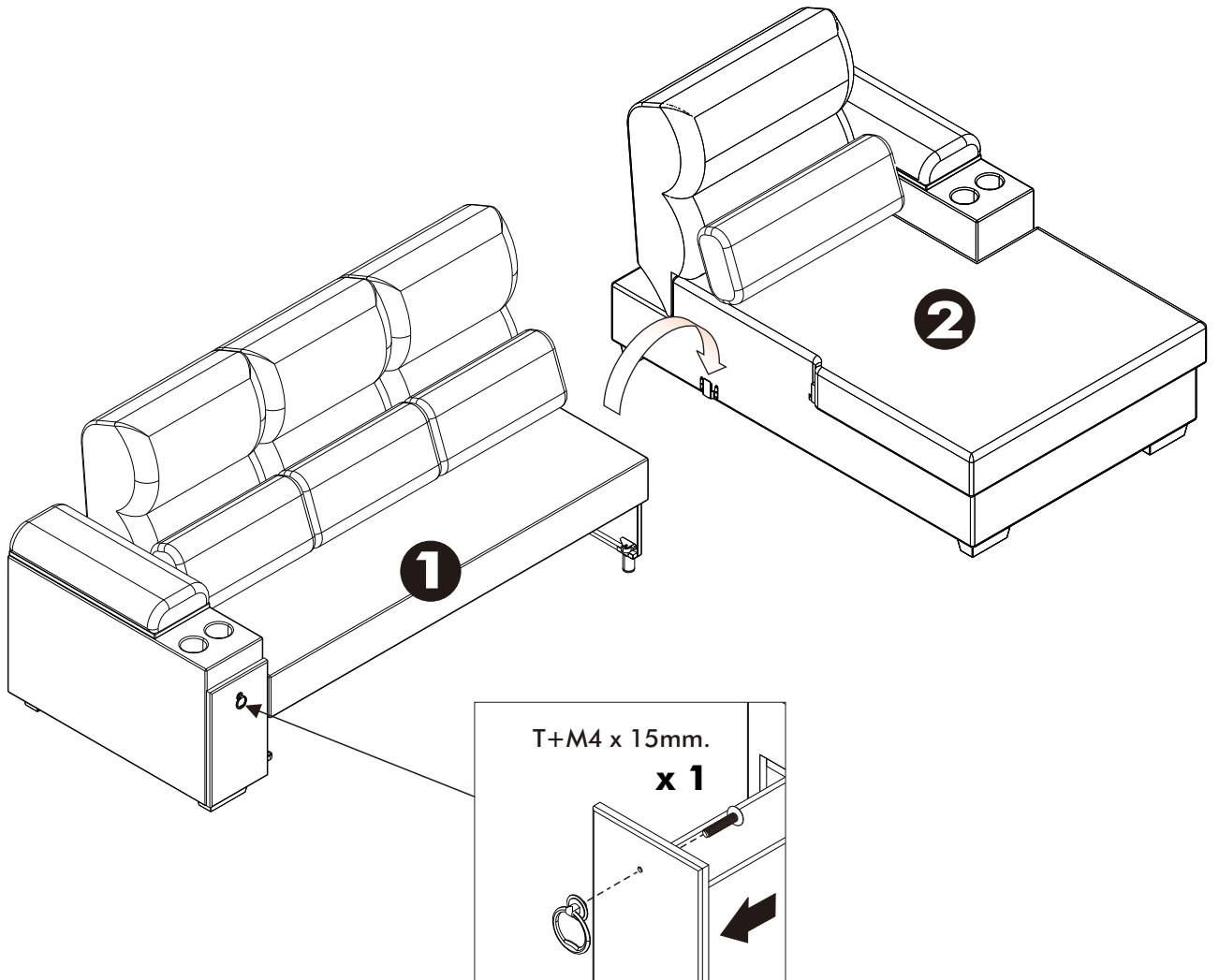
1.



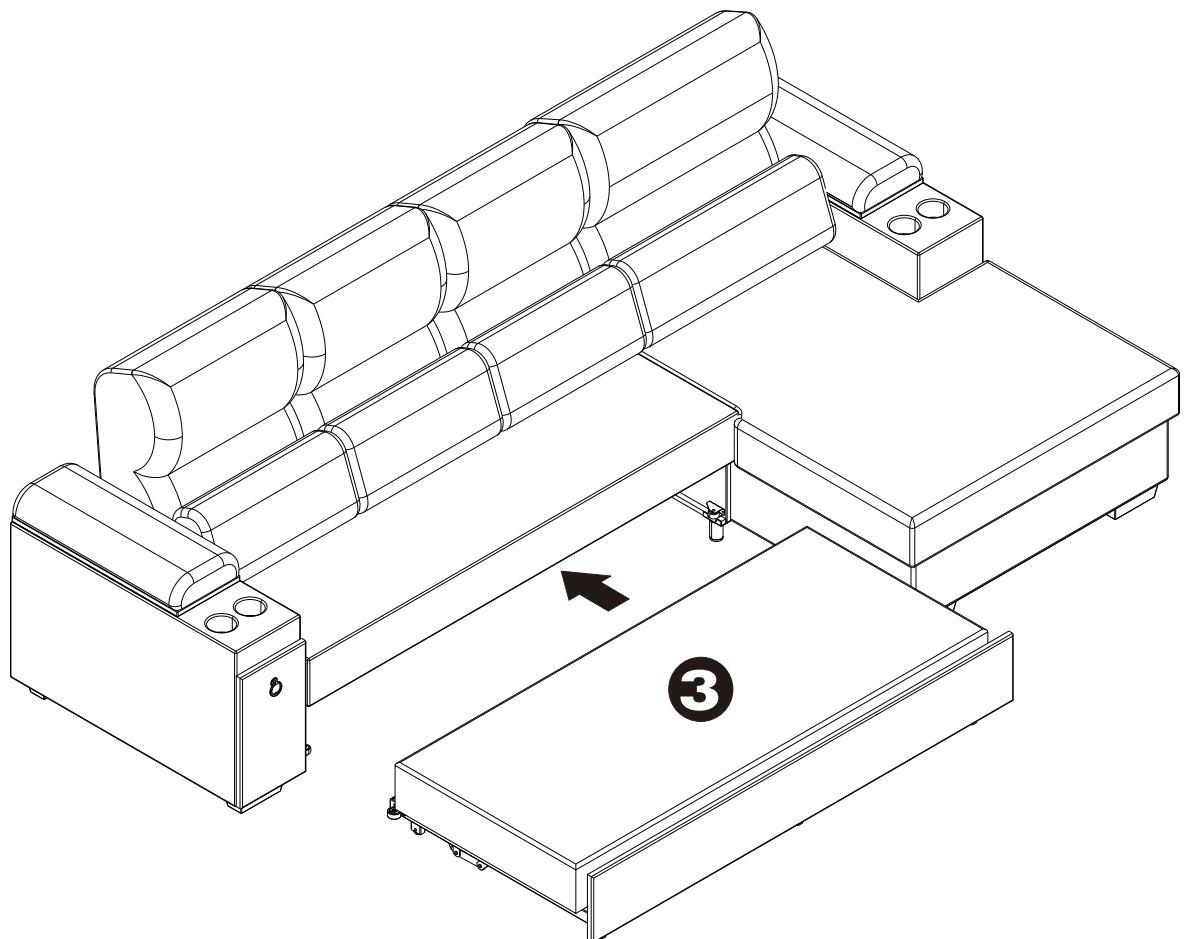
2.



3.



4.



3.

