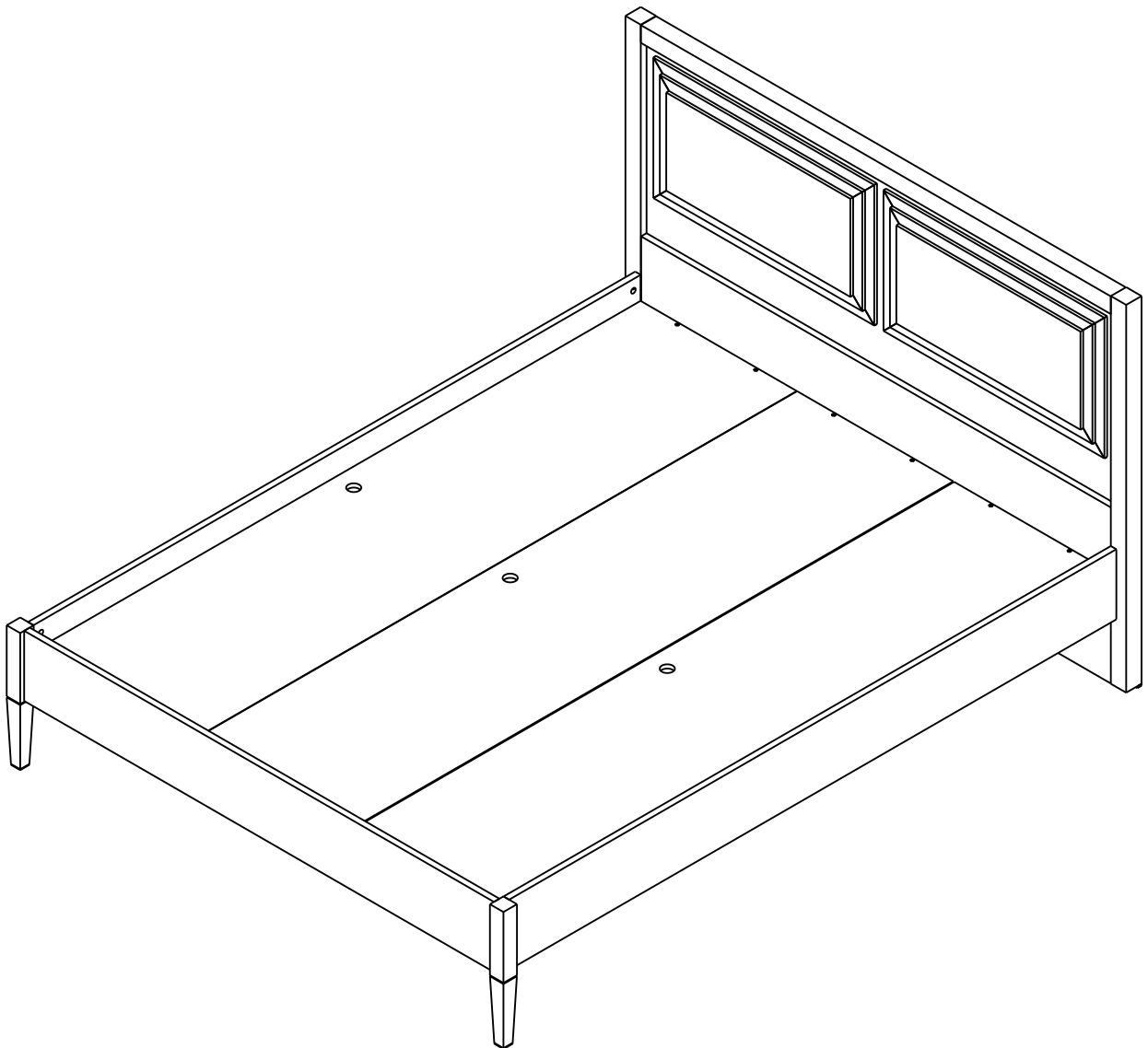


# PROVENCE

**BED 5 ft.**  
**BED 6 ft.**



# CONNECT SYSTEM

**1**

**3**

**2**

(Connecting bolts)

**WHEN FITTING CAMS**  
 ENSURE STARTING POSITION IS CORRECT  
 BEFORE YOU INSERT CONNECTING BOLT  
 TURN CLOCKWISE UNTIL SECURE

✓				<b>✗</b>
↑				
<b>CORRECT</b>		<b>WRONG</b>		

P+M4x16mm.

M6x45mm.

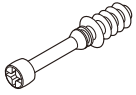
M6

M6

M4x16mm.

# HARDWARE

## -BODY SET

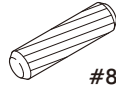


**x 12**



19mm.

**x 12**



#8x35

**x 12**



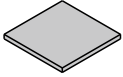
M4x16mm.

**x 27**



No.1

**x 3**



**x 2**



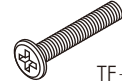
#M6

**x 4**



#M6

**x 4**



TF+M6x45

**x 4**



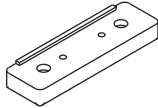
M4x30mm.

**x 48**

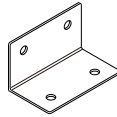


M4x16mm.

**x 10**



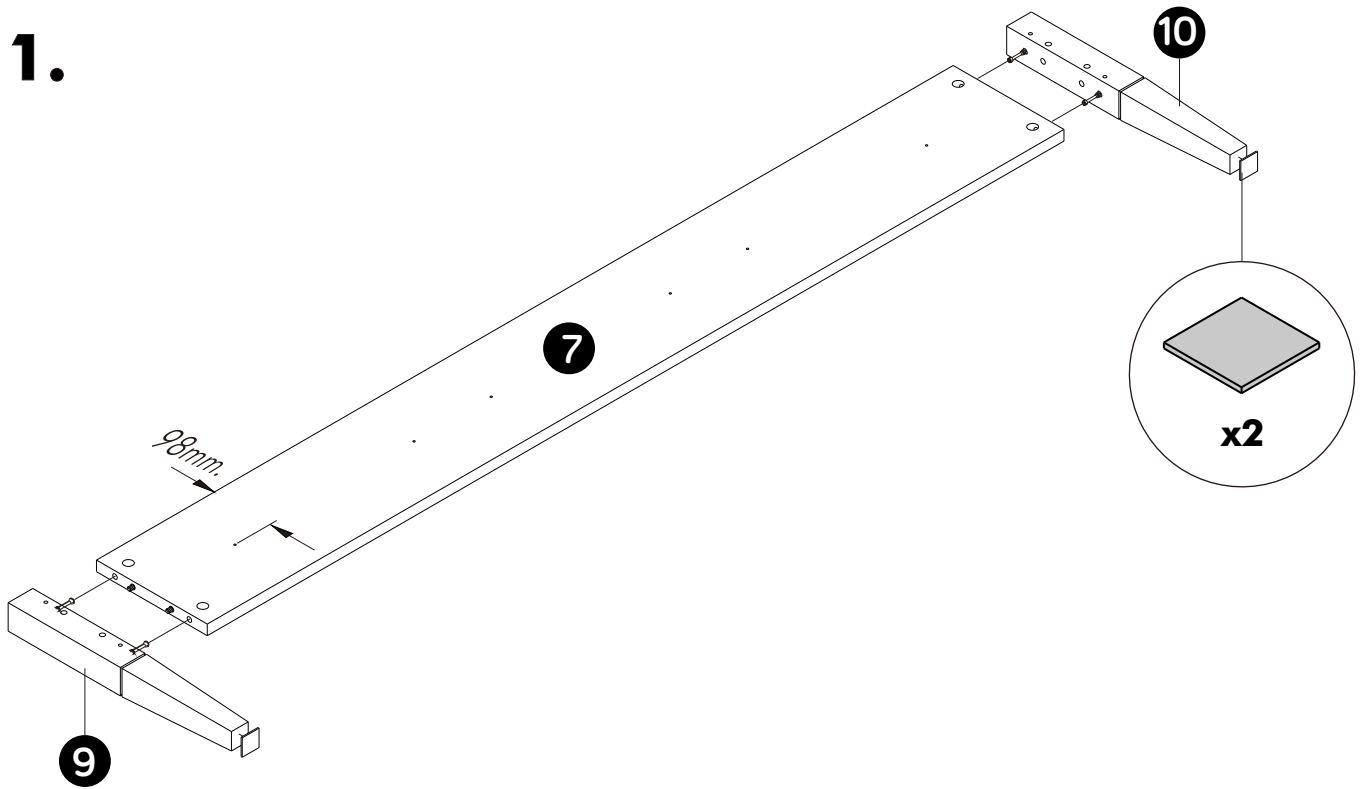
**x 5**



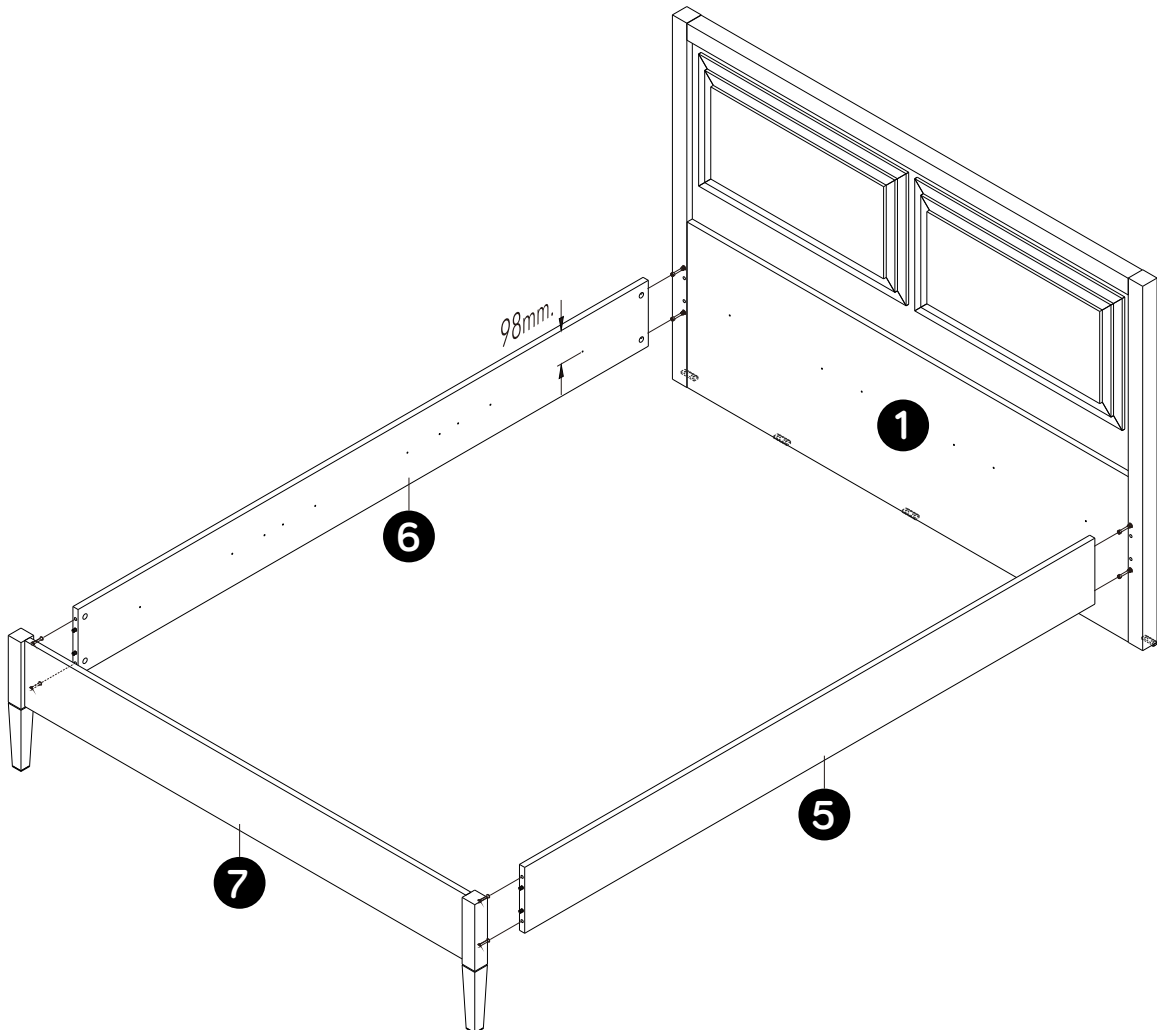
**x 4**

# ASSEMBLY

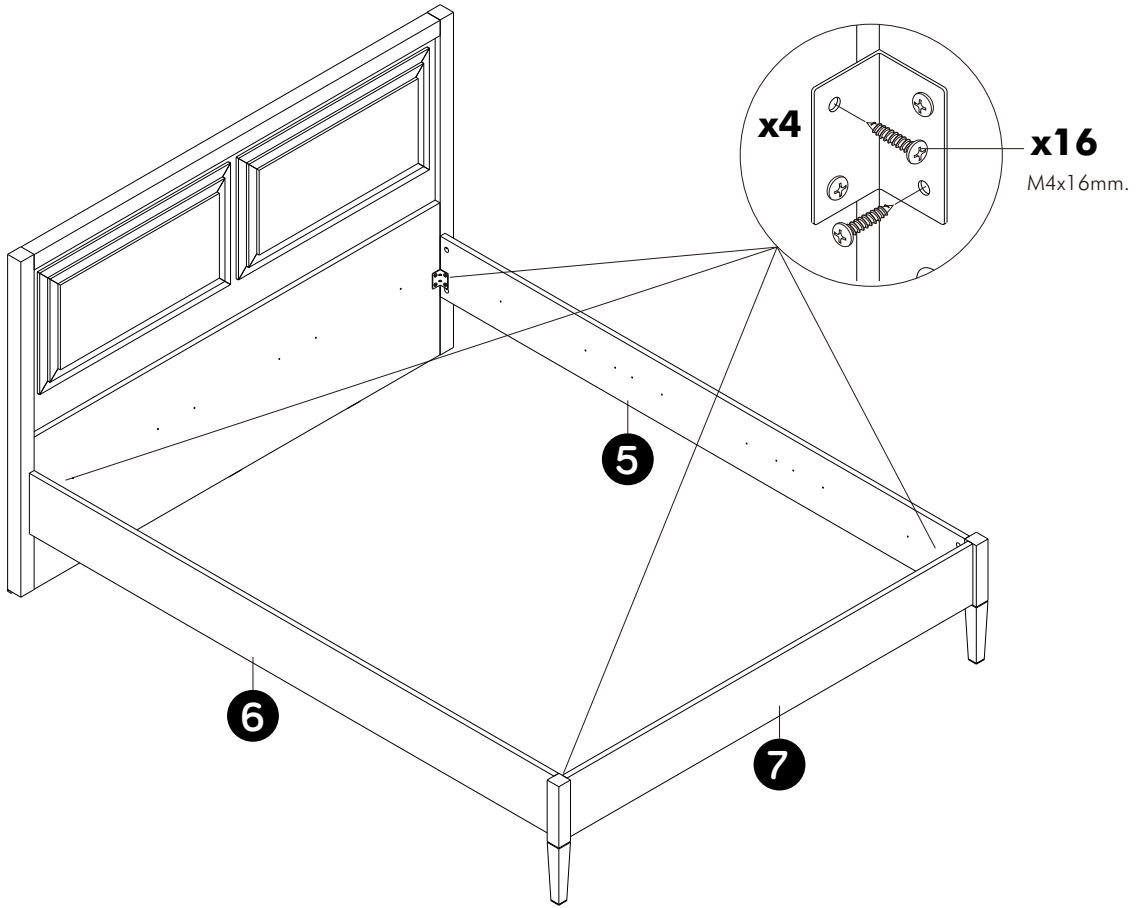
1.



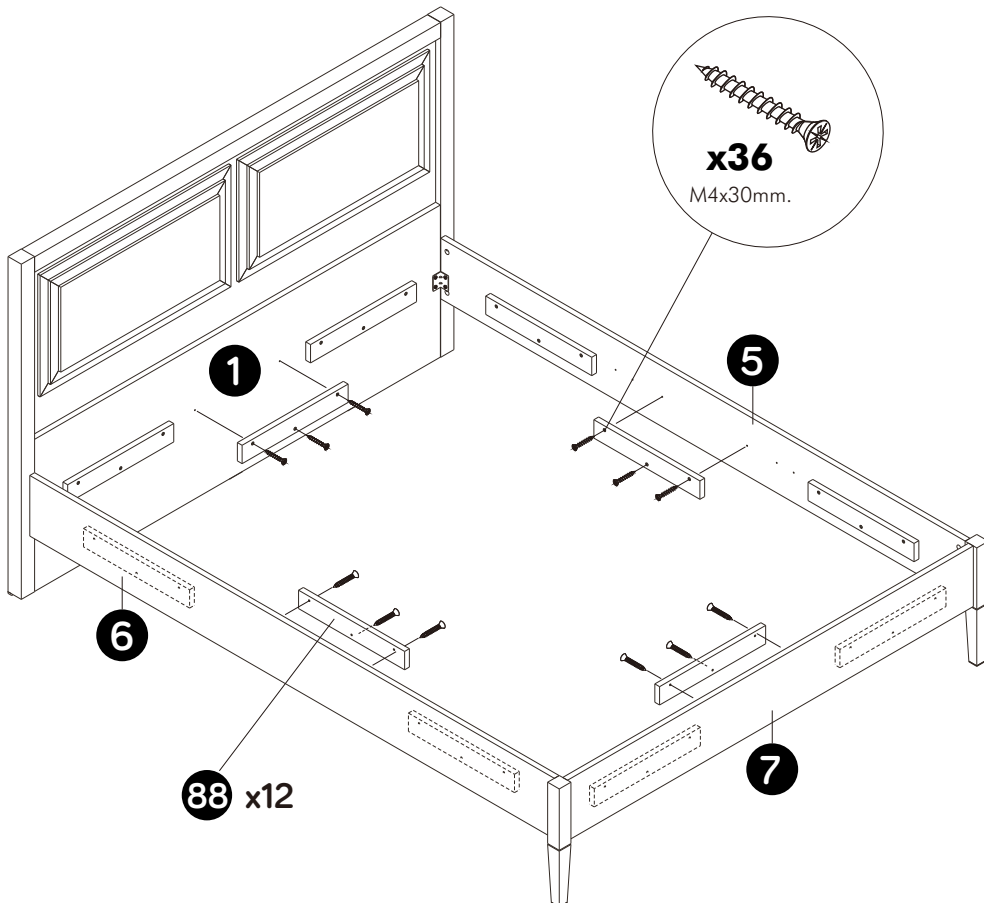
2.



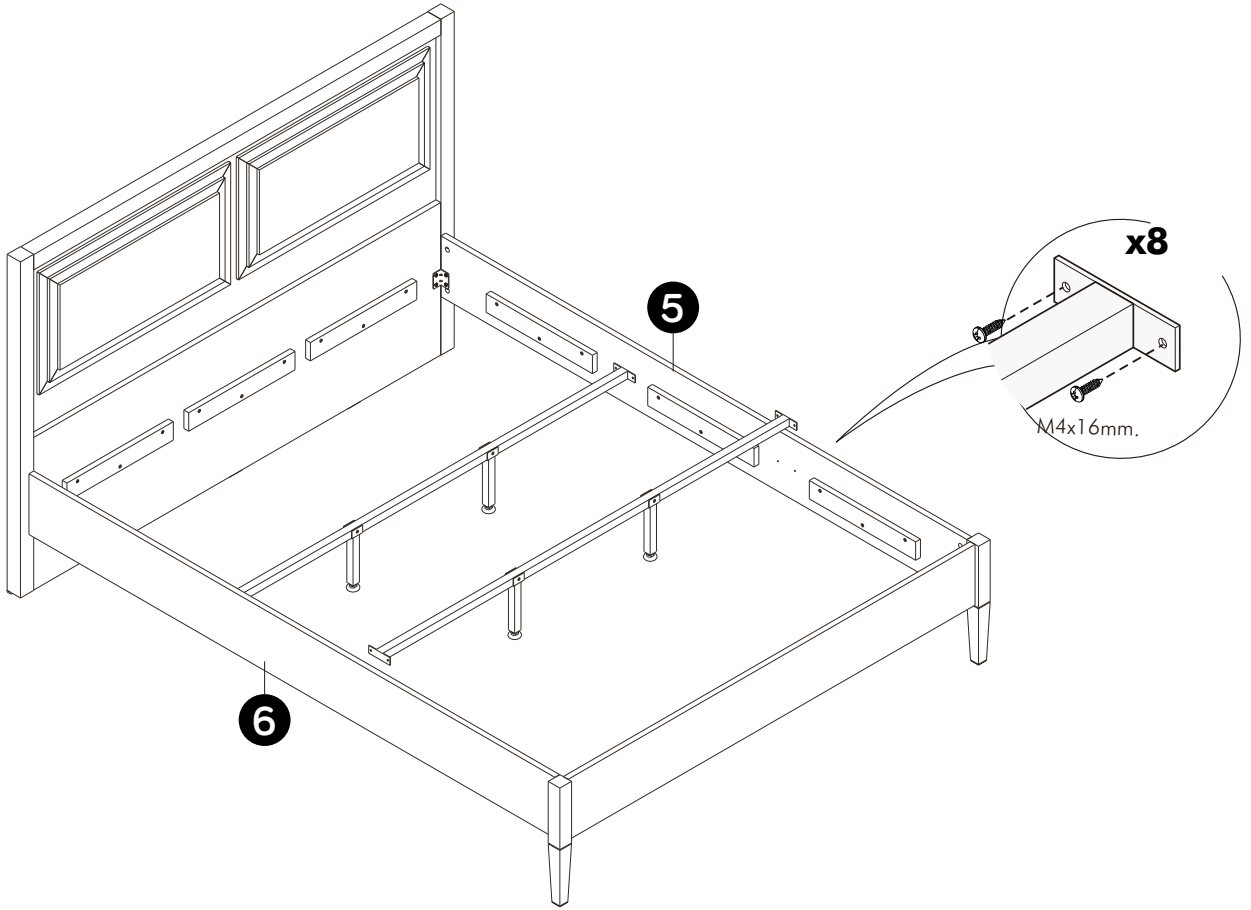
**3.**



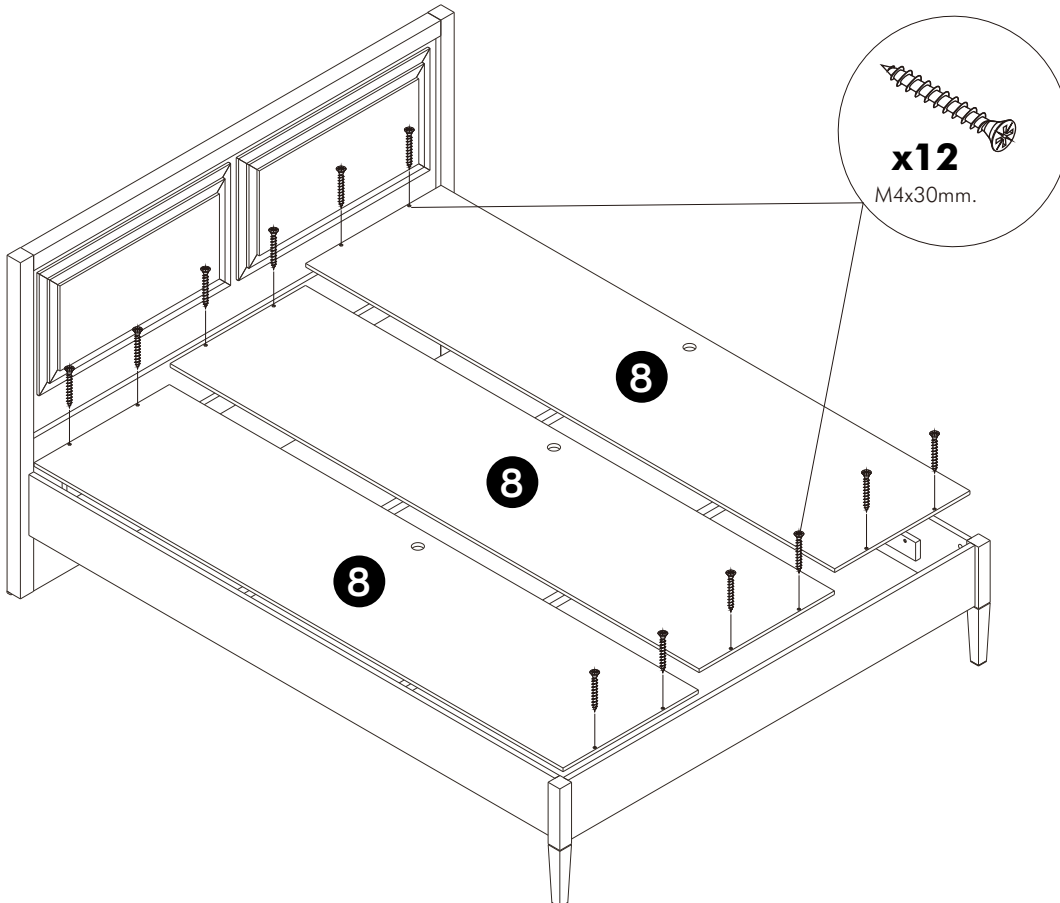
**4.**



**5.**



**6.**



# 7.

