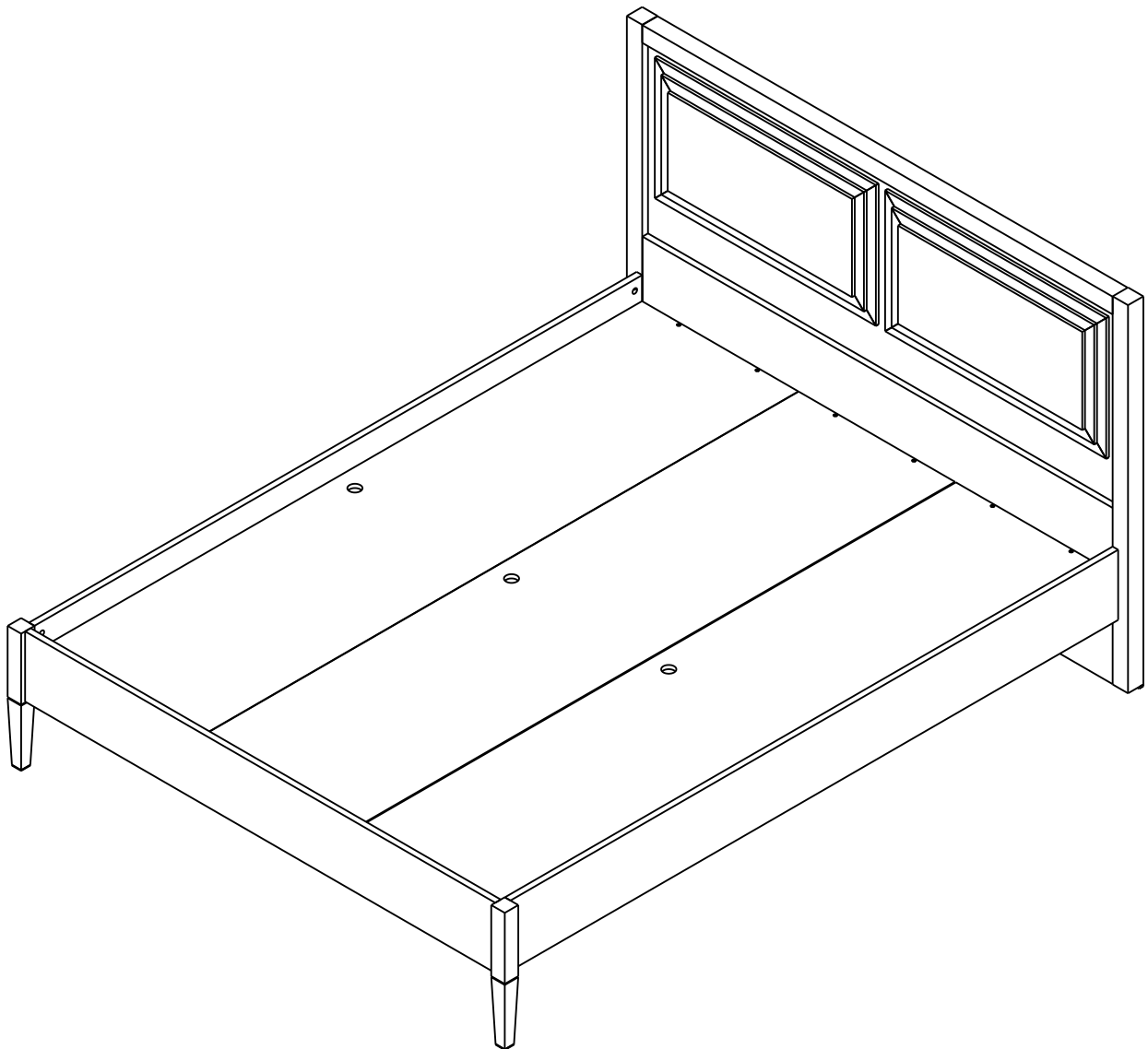


# PROVENCE

**BED 5 ft.**  
**BED 6 ft.**



# CONNECT SYSTEM

**1**

**3**

**2**

(Connecting bolts)

**WHEN FITTING CAMS**

ENSURE STARTING POSITION IS CORRECT  
BEFORE YOU INSERT CONNECTING BOLT  
TURN CLOCKWISE UNTIL SECURE

|                |              |  |  |   |
|----------------|--------------|--|--|---|
| ✓              |              |  |  | ✗ |
| ↑              |              |  |  |   |
| <b>CORRECT</b> | <b>WRONG</b> |  |  |   |

P+M4x16mm.

M6x45mm.

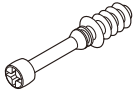
M6

M6

M4x16mm.

# HARDWARE

## -BODY SET

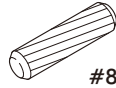


**x 12**



19mm.

**x 12**



#8x35

**x 12**



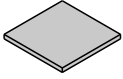
M4x16mm.

**x 27**



No.1

**x 3**



**x 2**



#M6

**x 4**



#M6

**x 4**



TF+M6x45

**x 4**



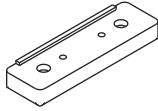
M4x30mm.

**x 48**

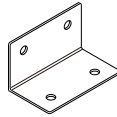


M4x16mm.

**x 10**



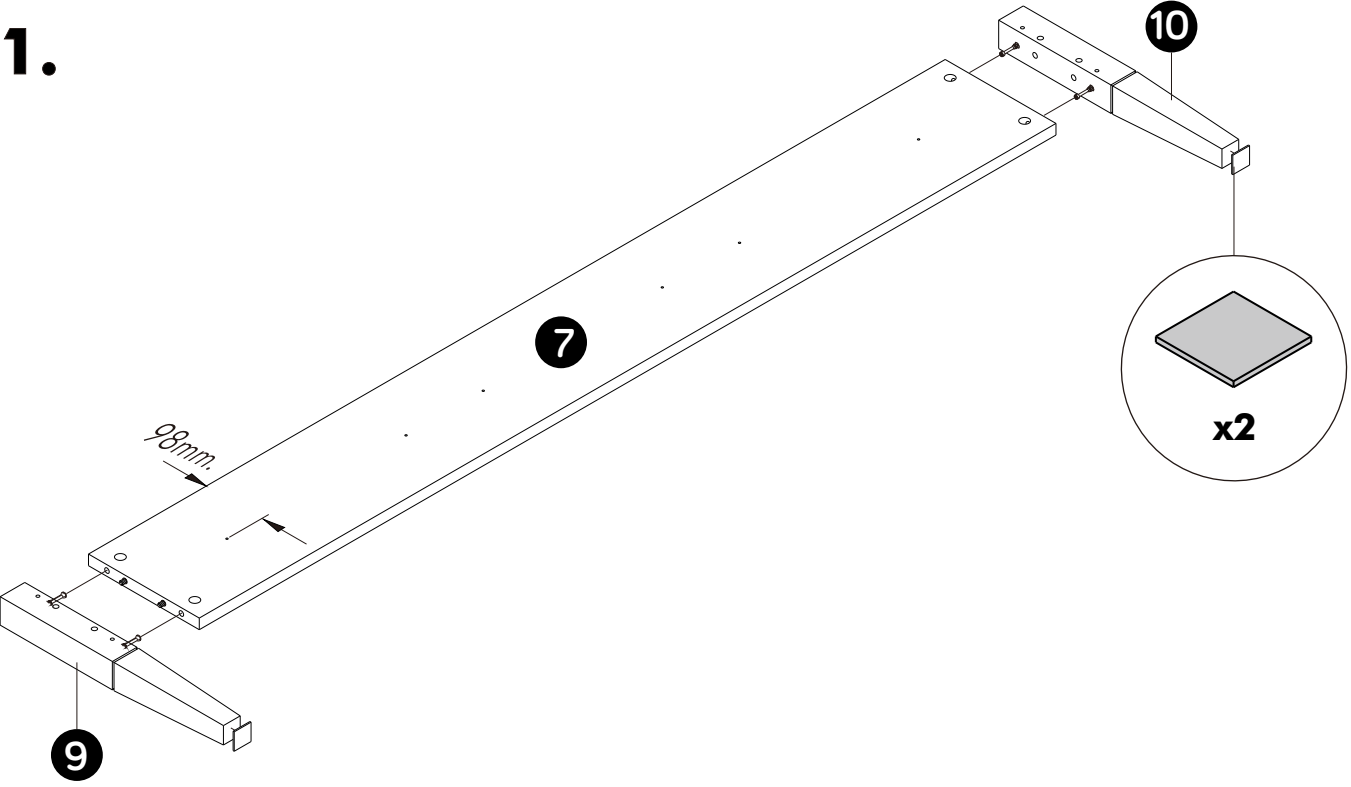
**x 5**



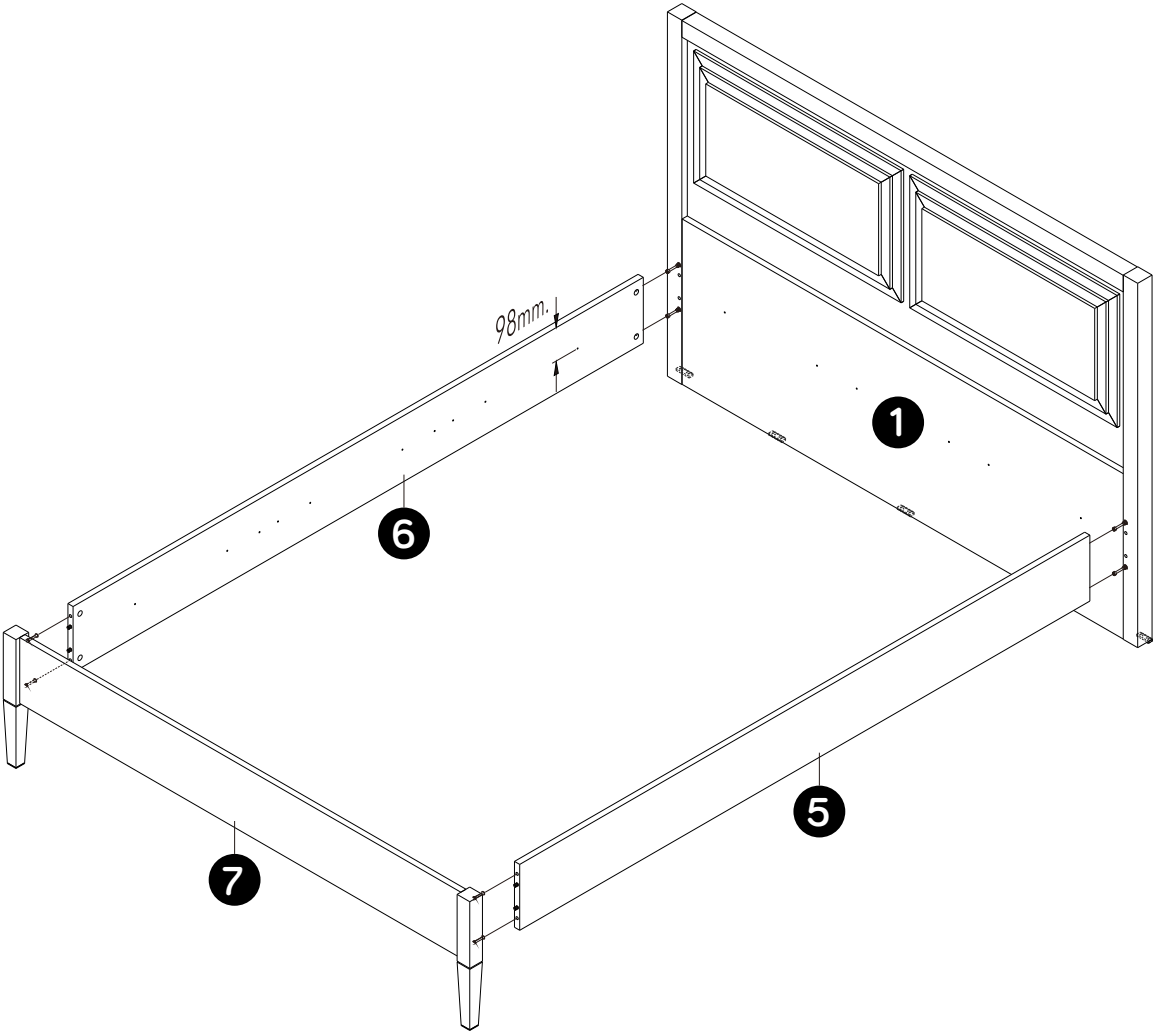
**x 4**

**ASSEMBLY**

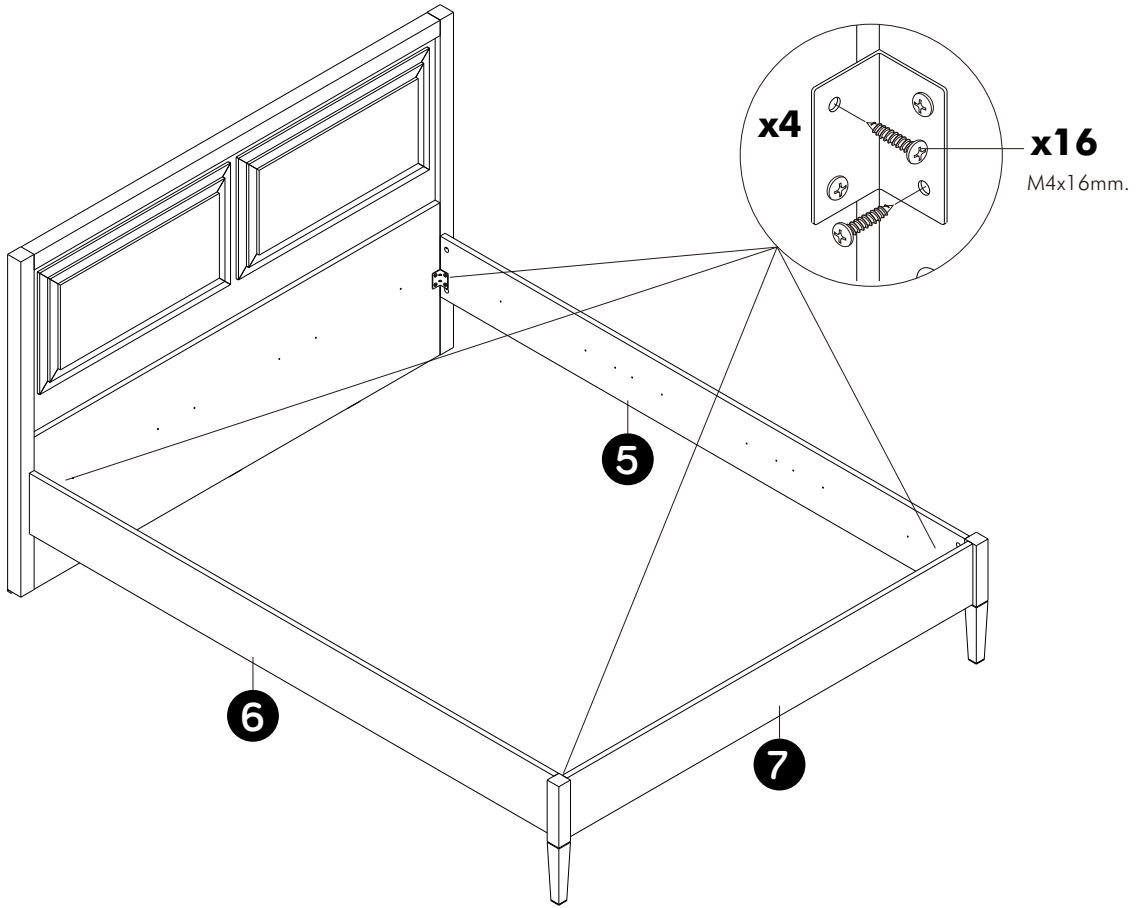
**1.**



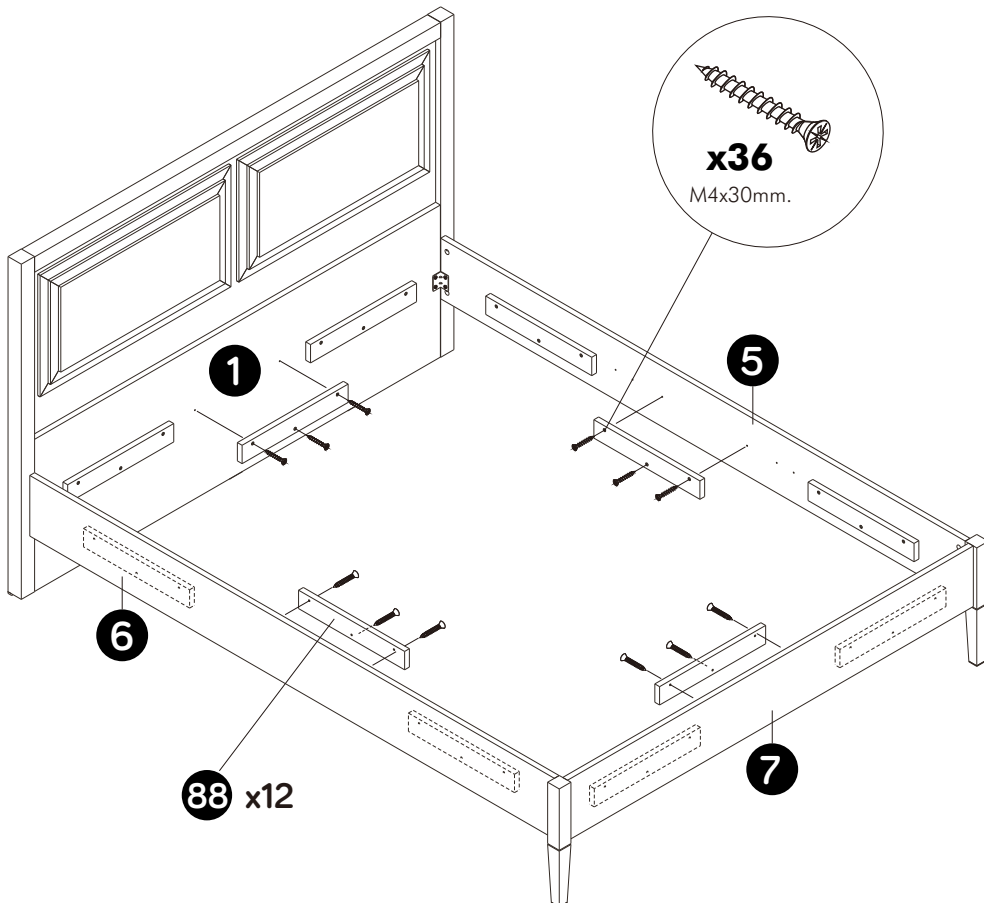
**2.**



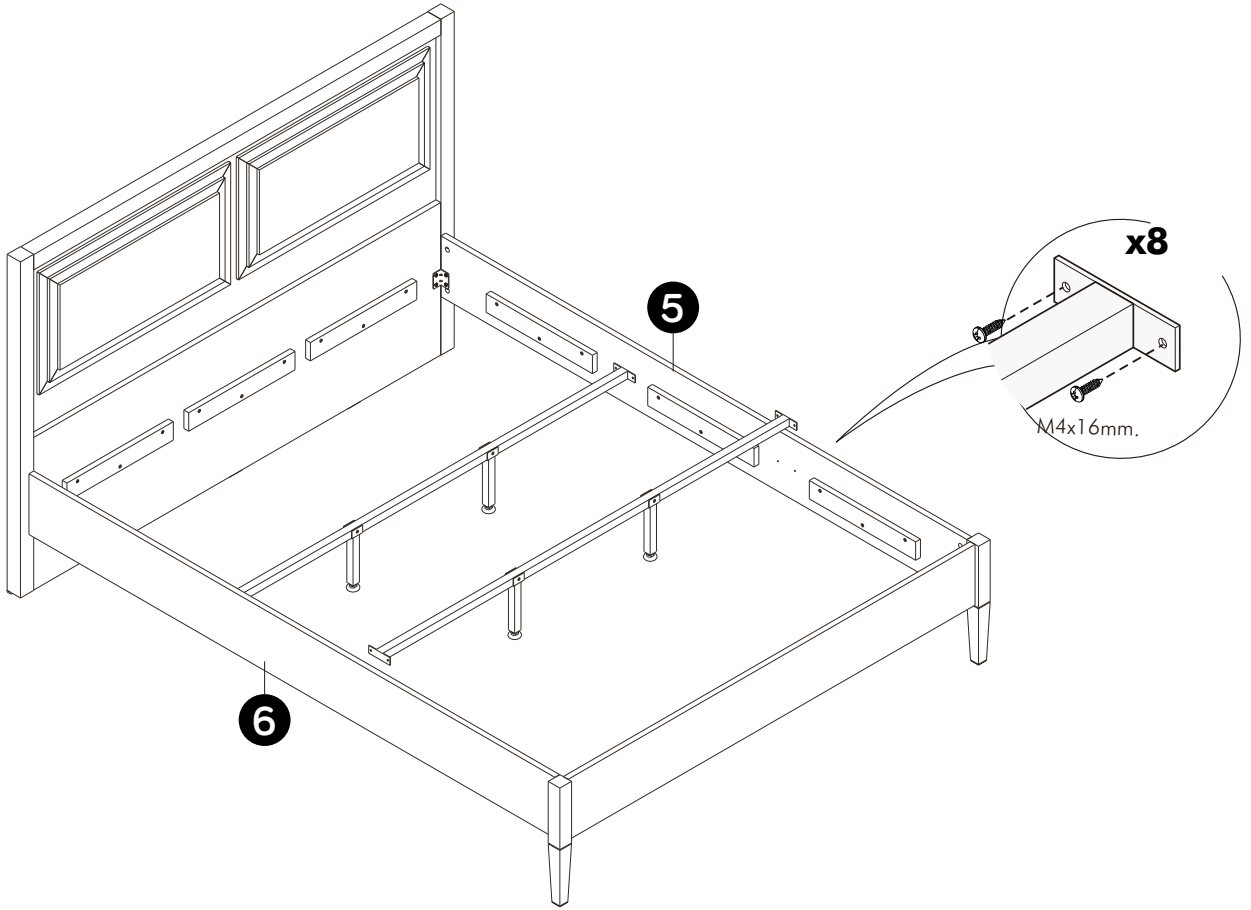
**3.**



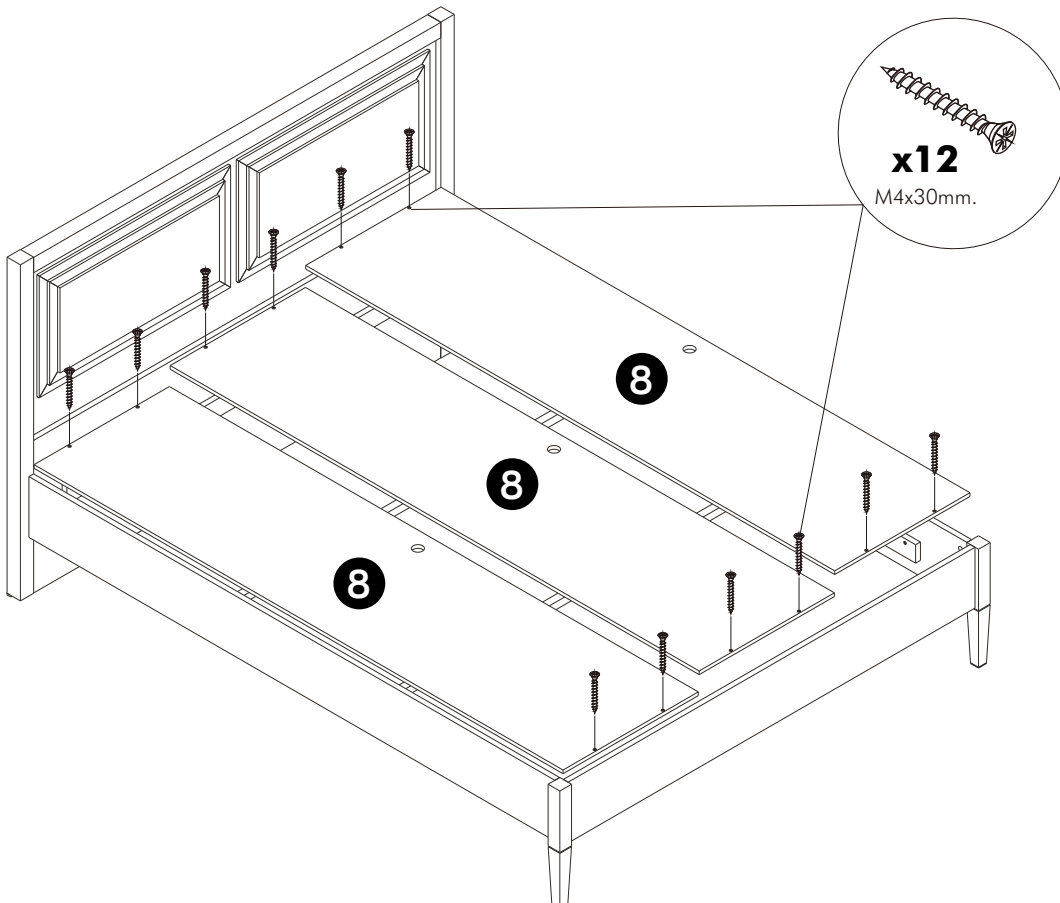
**4.**



**5.**



**6.**



# 7.

