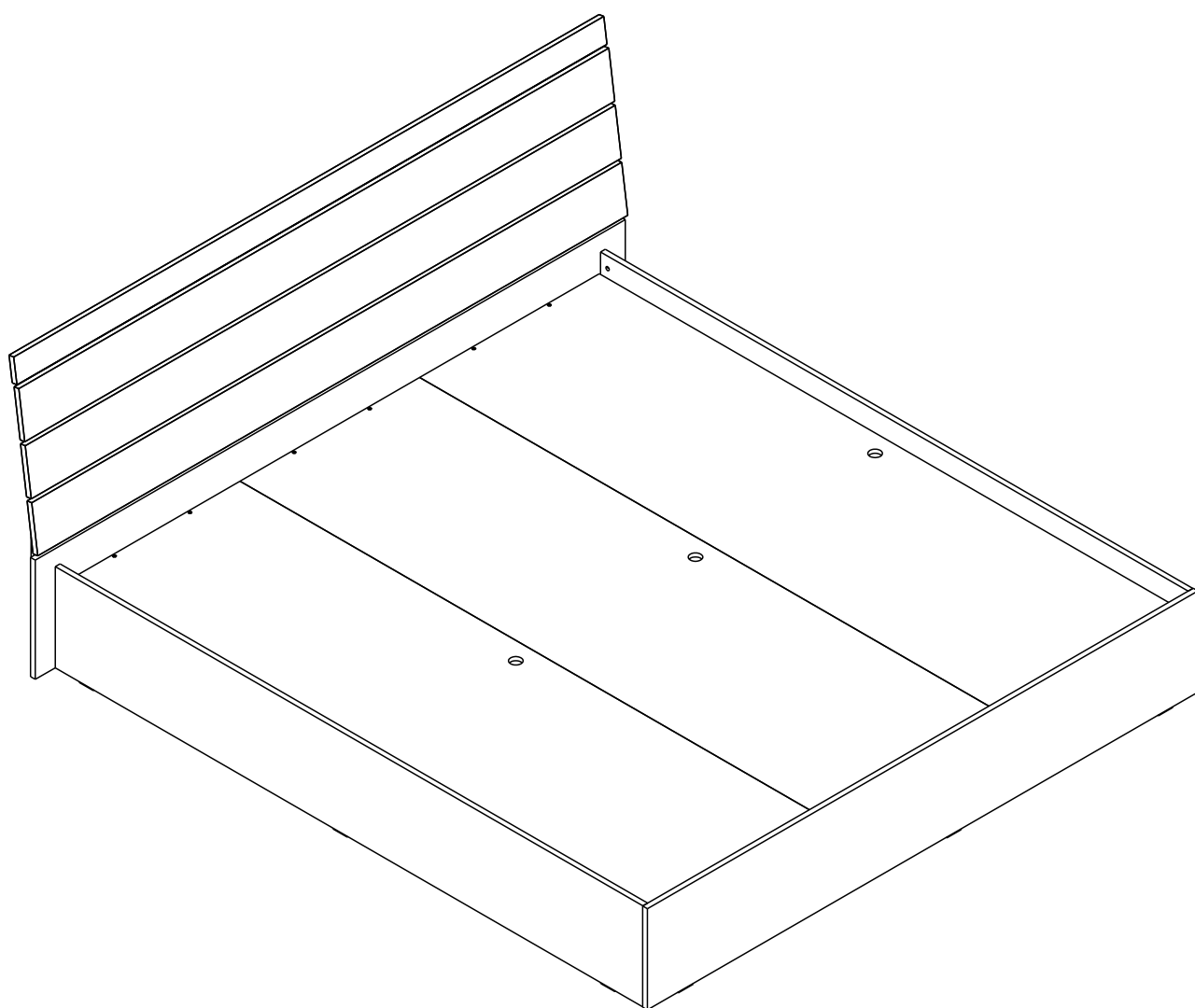


# VEDA

**BED 5 ft.**  
**BED 6 ft.**



# CONNECT SYSTEM

**1**

**3**

**2**

(Connecting bolts)

**WHEN FITTING CAMS**  
 ENSURE STARTING POSITION IS CORRECT  
 BEFORE YOU INSERT CONNECTING BOLT  
 TURN CLOCKWISE UNTIL SECURE

✓					✗
	↑	↓	←	→	
	<b>CORRECT</b>	<b>WRONG</b>			

M4x16mm.

**i**

40mm.

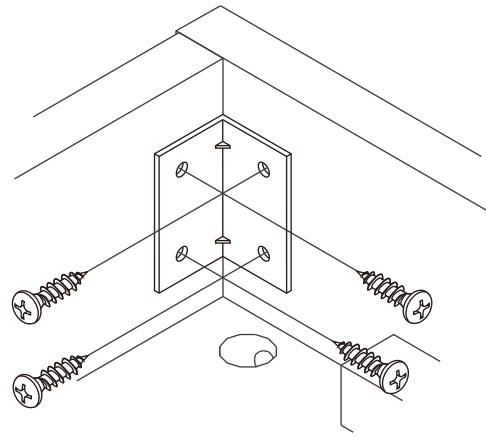
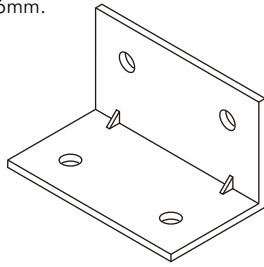
EQ

M6x45mm.

M6

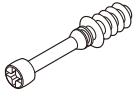
M6

M4x16mm.



# HARDWARE

## -BODY SET

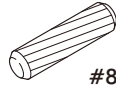


**x 4**



19mm.

**x 4**



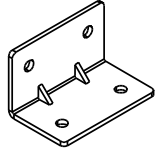
#8x35

**x 8**

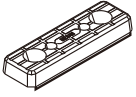


M4x16mm.

**x 43**



**x 8**



**x 15**



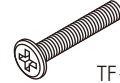
#M6

**x 4**



#M6

**x 4**



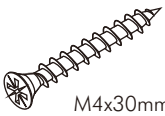
TF+M6x45

**x 4**



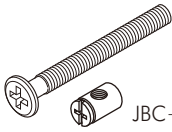
M4x16mm.

**x 30**



M4x30mm.

**x 48**



JBC+M6x60

**x 4**



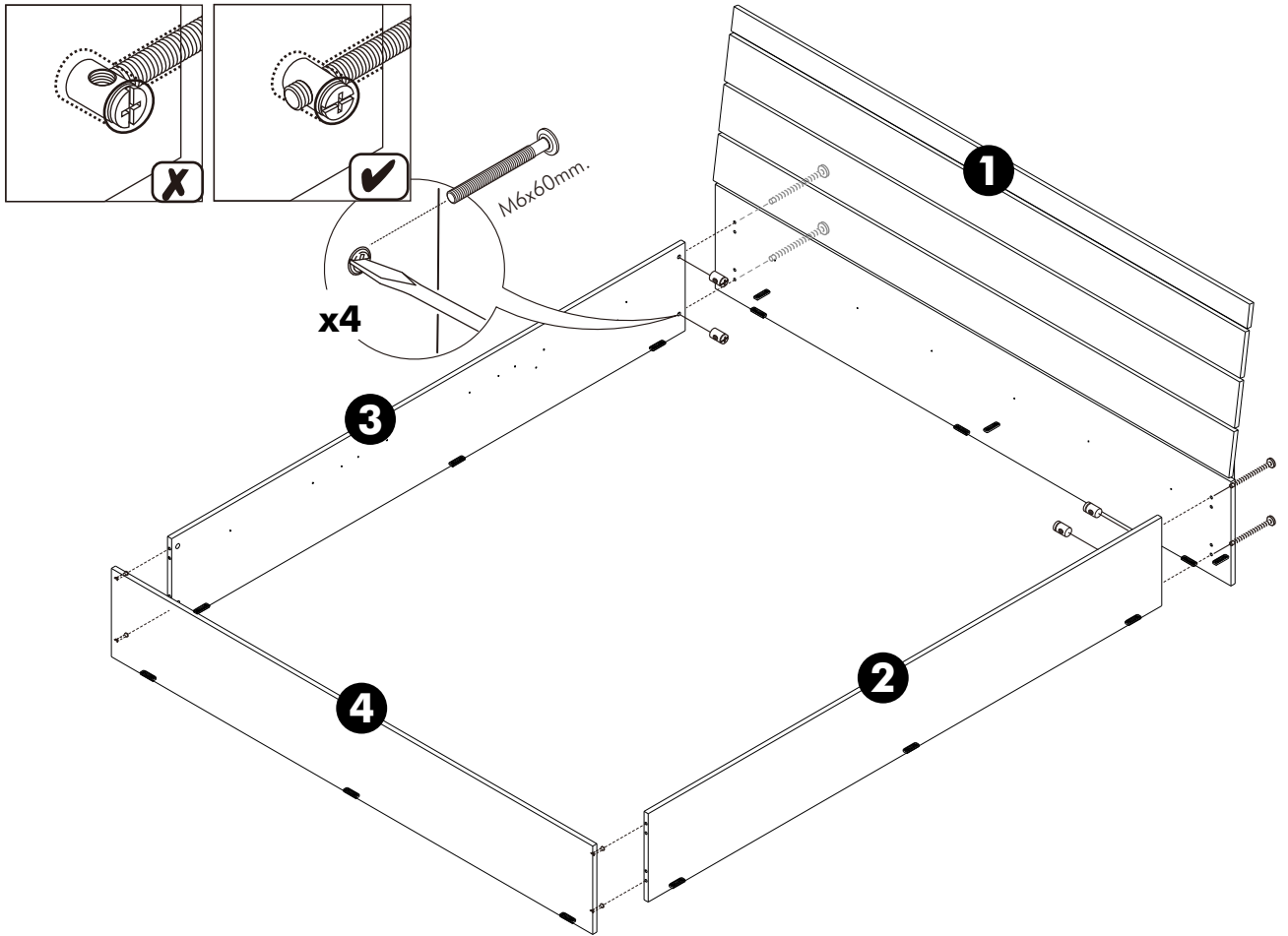
No.1

**x 3**

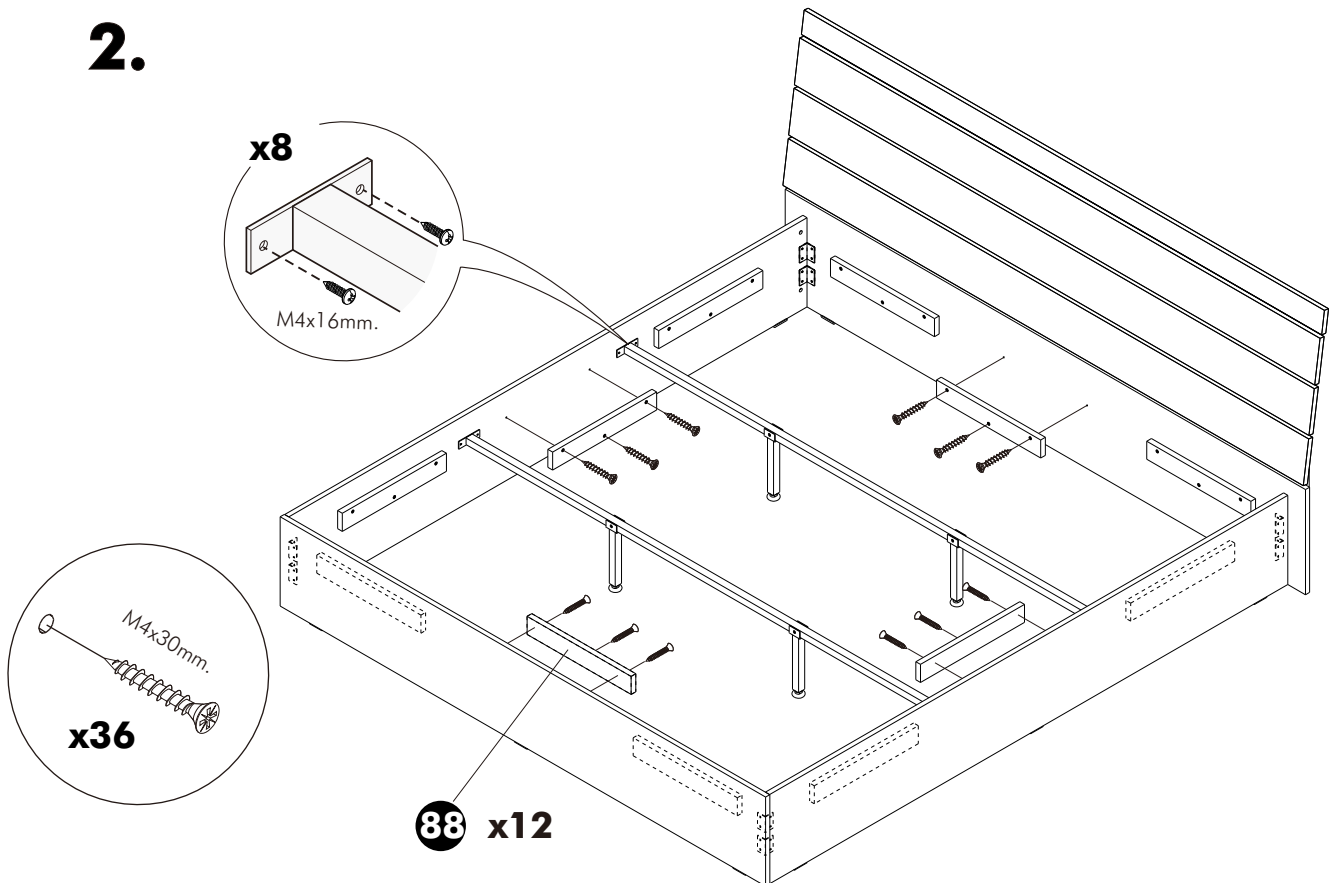
# ASSEMBLY

-BODY SET

1.



2.



# 3.

