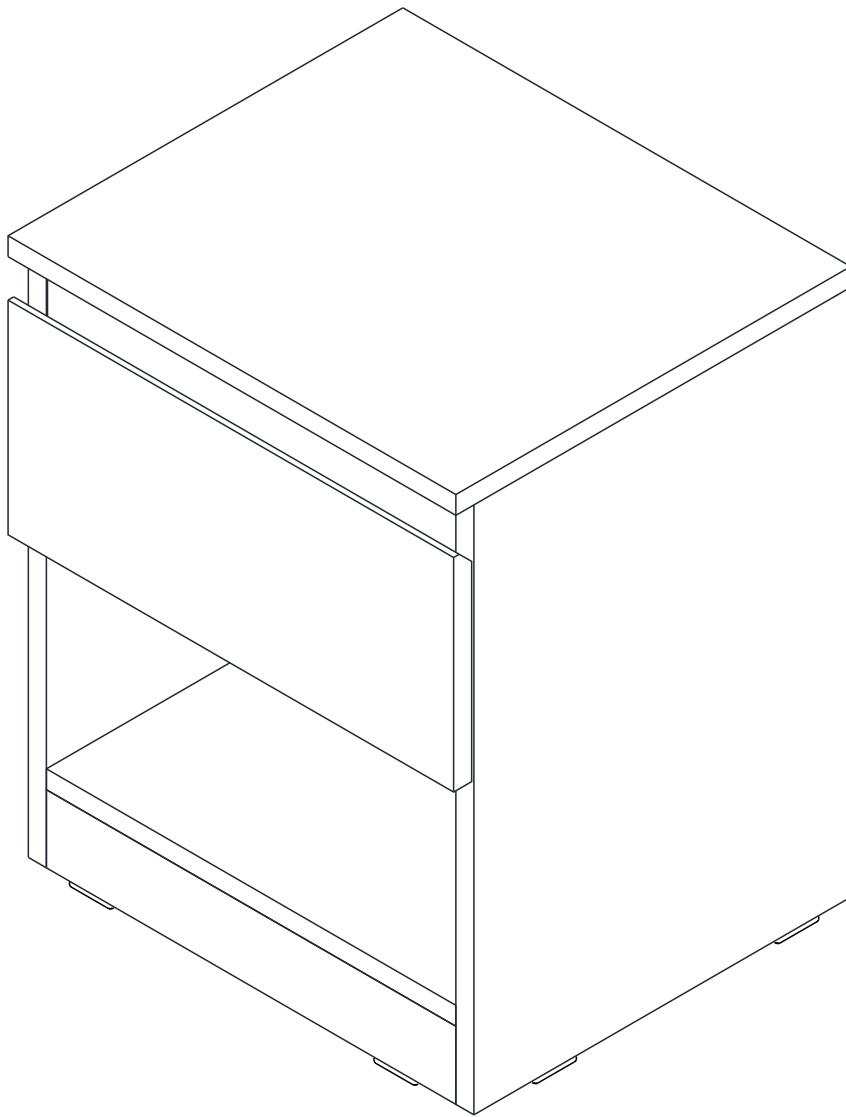


# MAISON

## Night Table 1 DW MCW



# CONNECT SYSTEM

**1**

**3**

**WHEN FITTING CAMS**  
ENSURE STARTING POSITION IS CORRECT  
BEFORE YOU INSERT CONNECTING BOLT  
TURN CLOCKWISE UNTIL SECURE

<p>✓</p> <p>↑</p> <p><b>CORRECT</b></p>	<p>✗</p> <p>↓</p> <p><b>WRONG</b></p>
---	---------------------------------------

**2**

(Connecting bolts)

M4x16mm.

M4x16mm.

OUT

IN

**i**

40mm.

EQ

☹

☺

☒

☑

M3.5x13mm.

**1**

28mm.

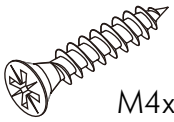
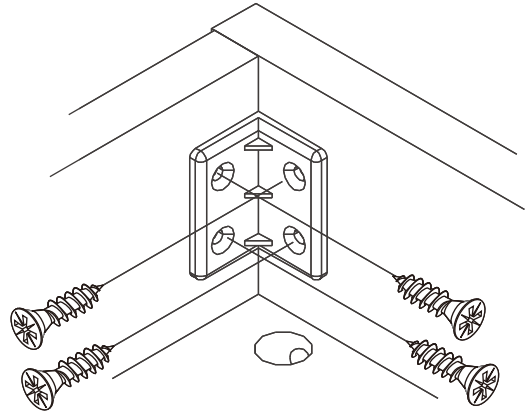
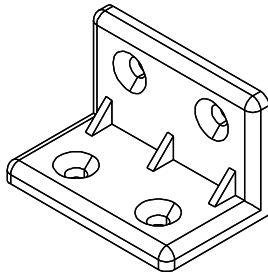
Use these holes

**2**

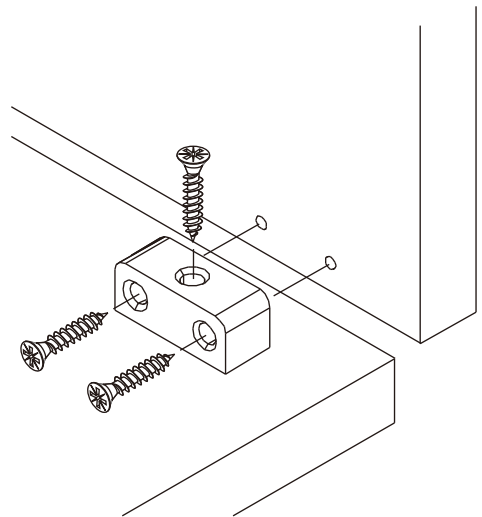
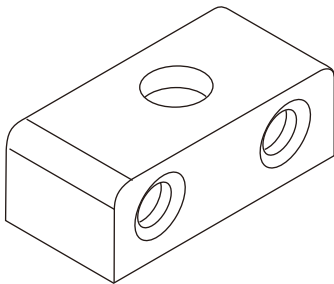
Use these holes

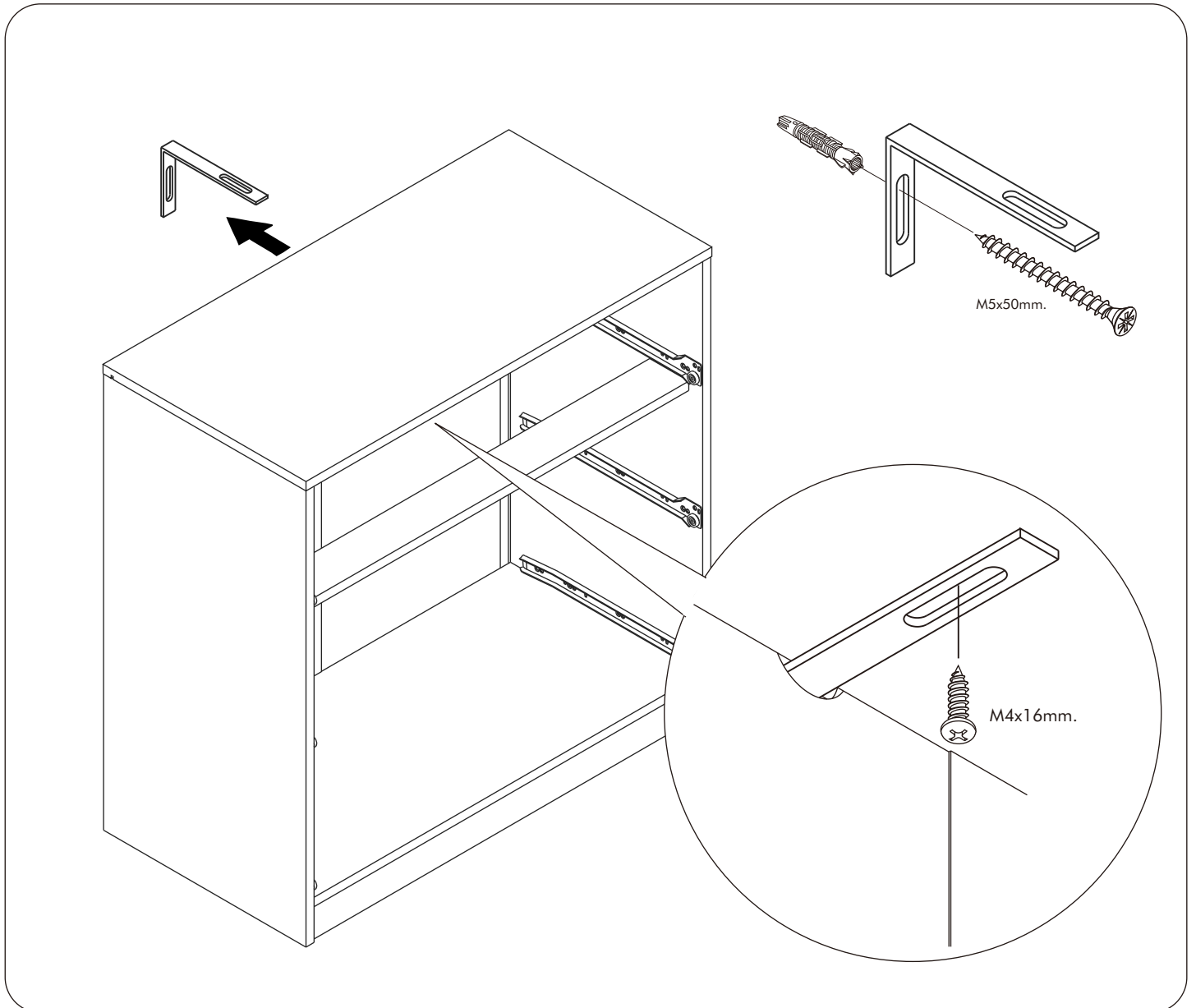
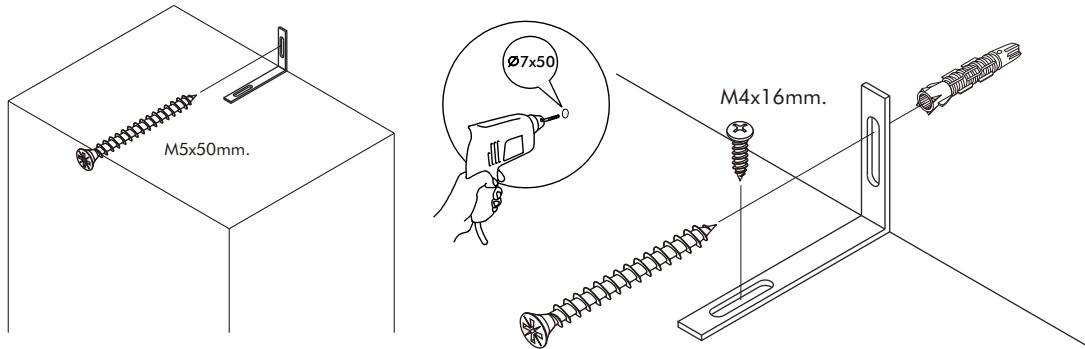
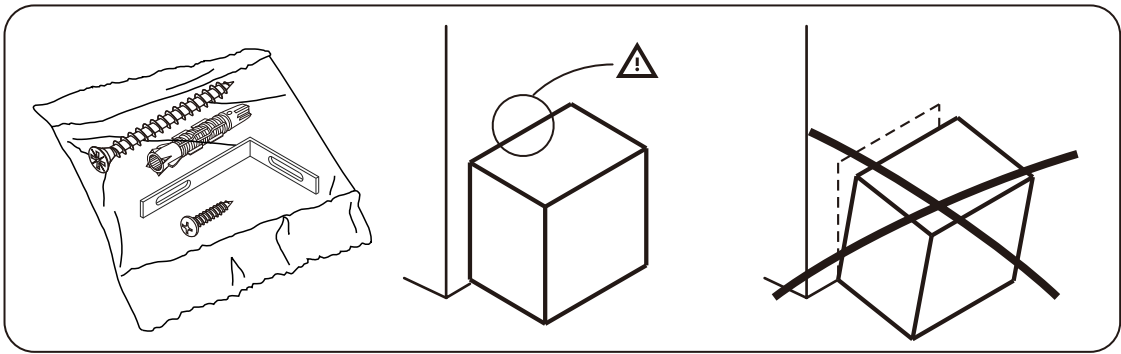


M4x16mm.



M4x25mm.





# HARDWARE

## -BODY SET



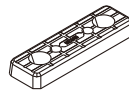
#8x35

**x 16**

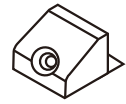


M4x16mm.

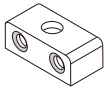
**x 76**



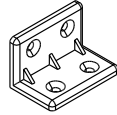
**x 8**



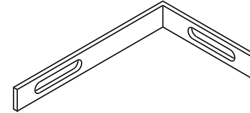
**x 3**



**x 4**



**x 15**

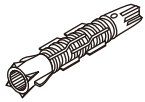


**x 1**



M4x16mm.

**x 3**

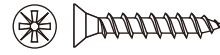


**x 1**



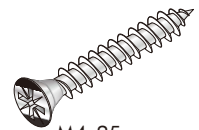
M5x50mm.

**x 1**



M3.5x20mm.

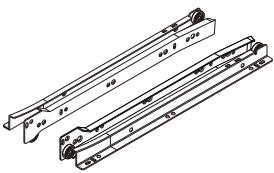
**x 3**



M4x25mm.

**x 12**

## -DRAWER SET

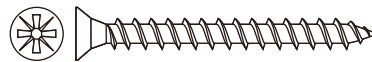


**x 1**



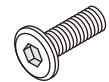
M3.5x13mm.

**x 14**



M4x40mm.

**x 8**



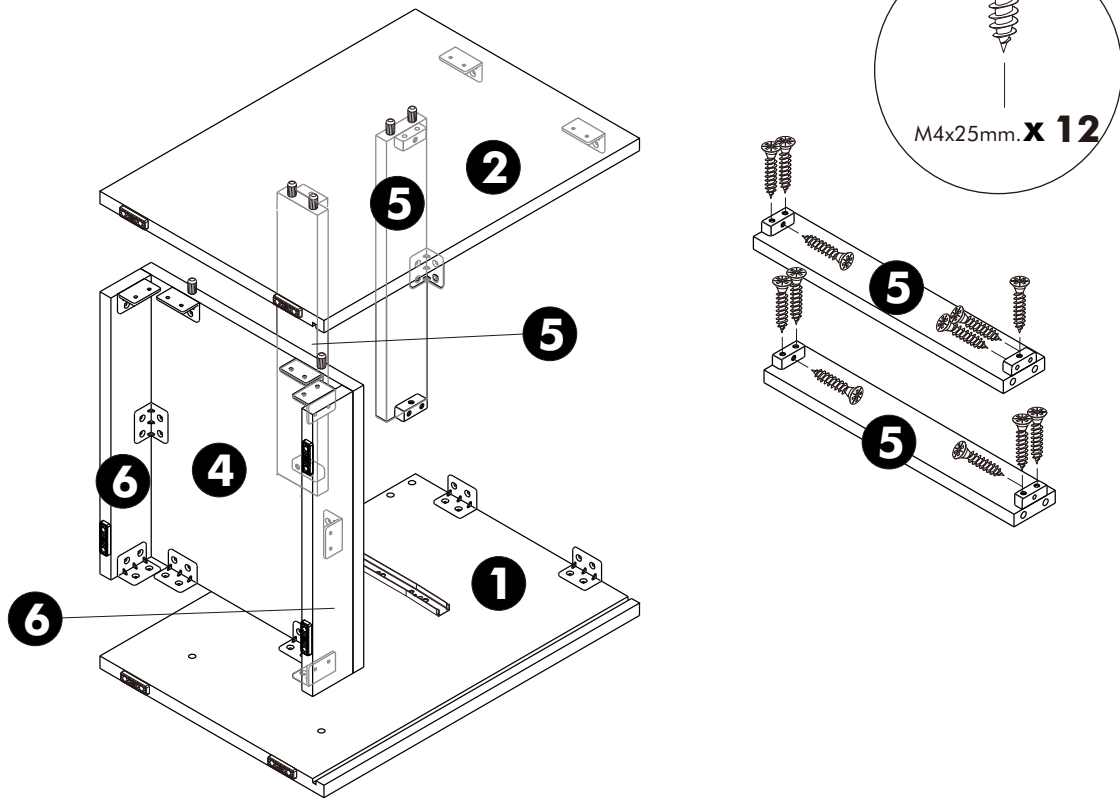
TFL4 M6x23

**x 2**

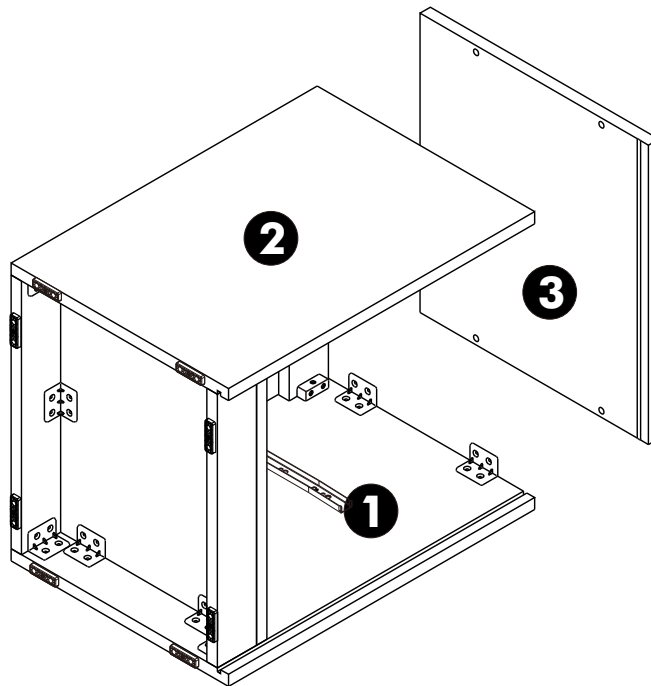
# ASSEMBLY

-BODY SET

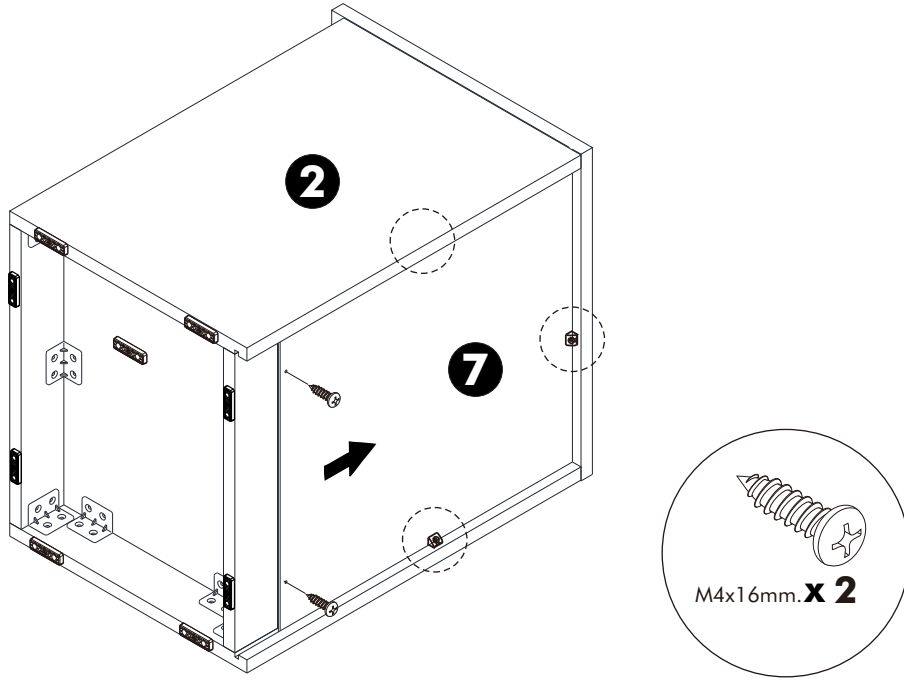
1.



2.



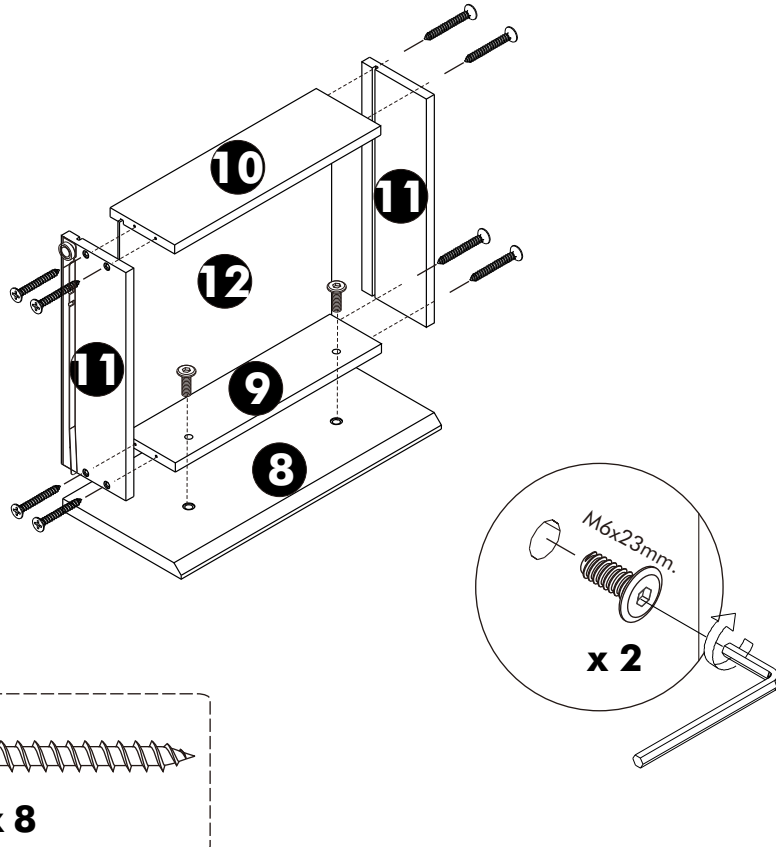
**3.**



**ASSEMBLY**

-DRAWER SET

**4.**



**5.**

