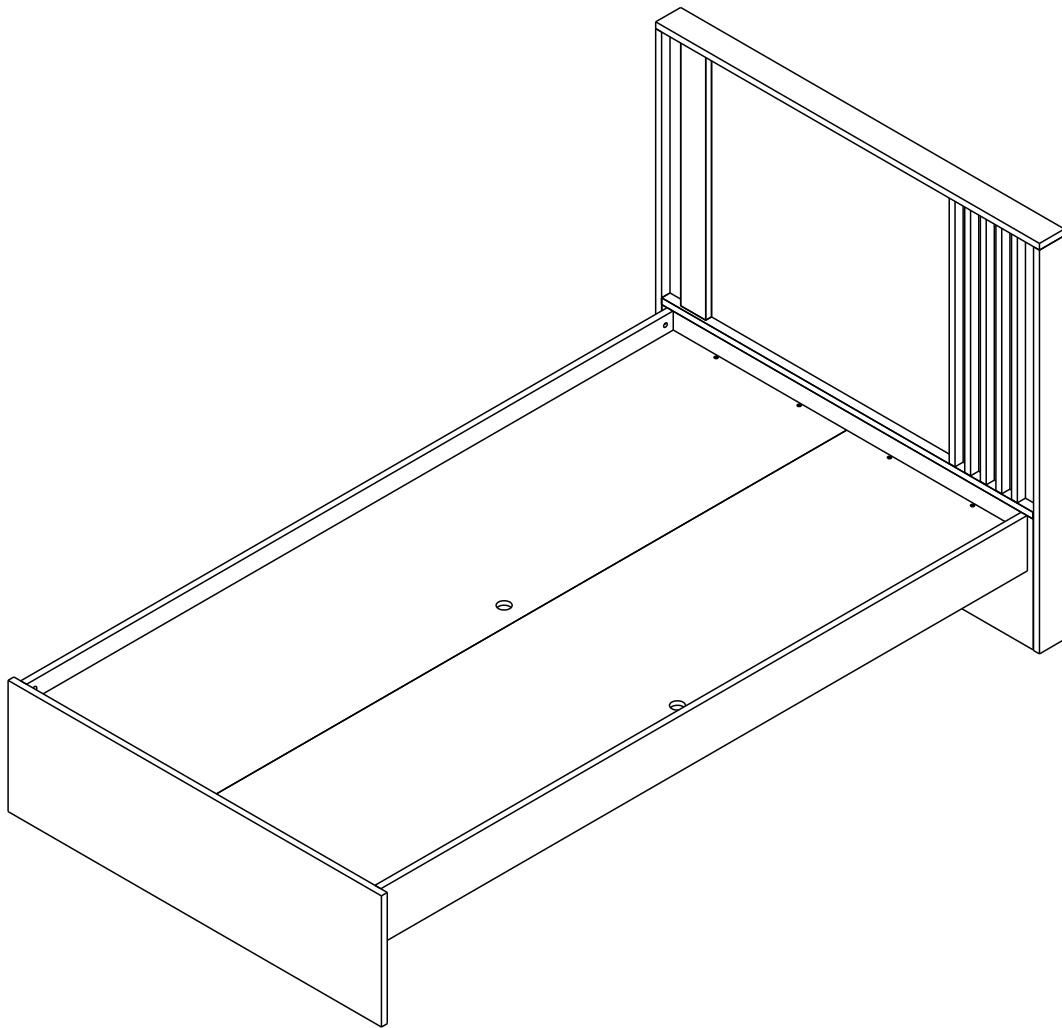
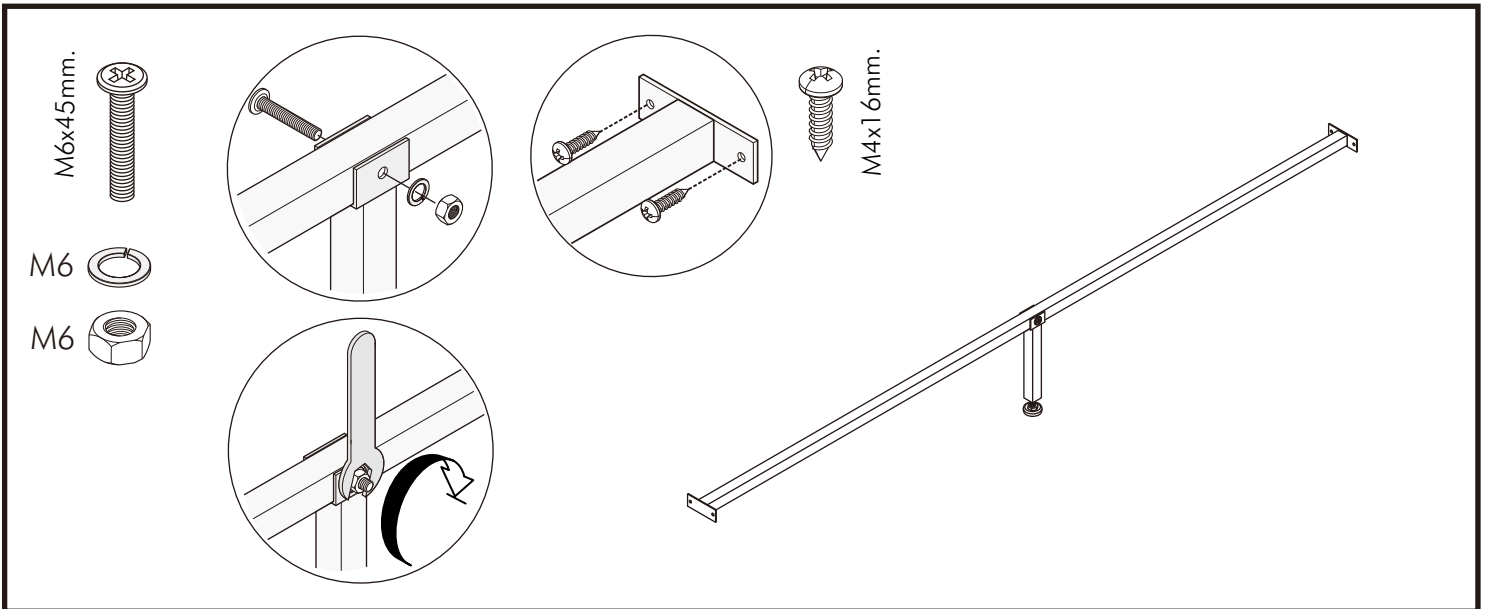
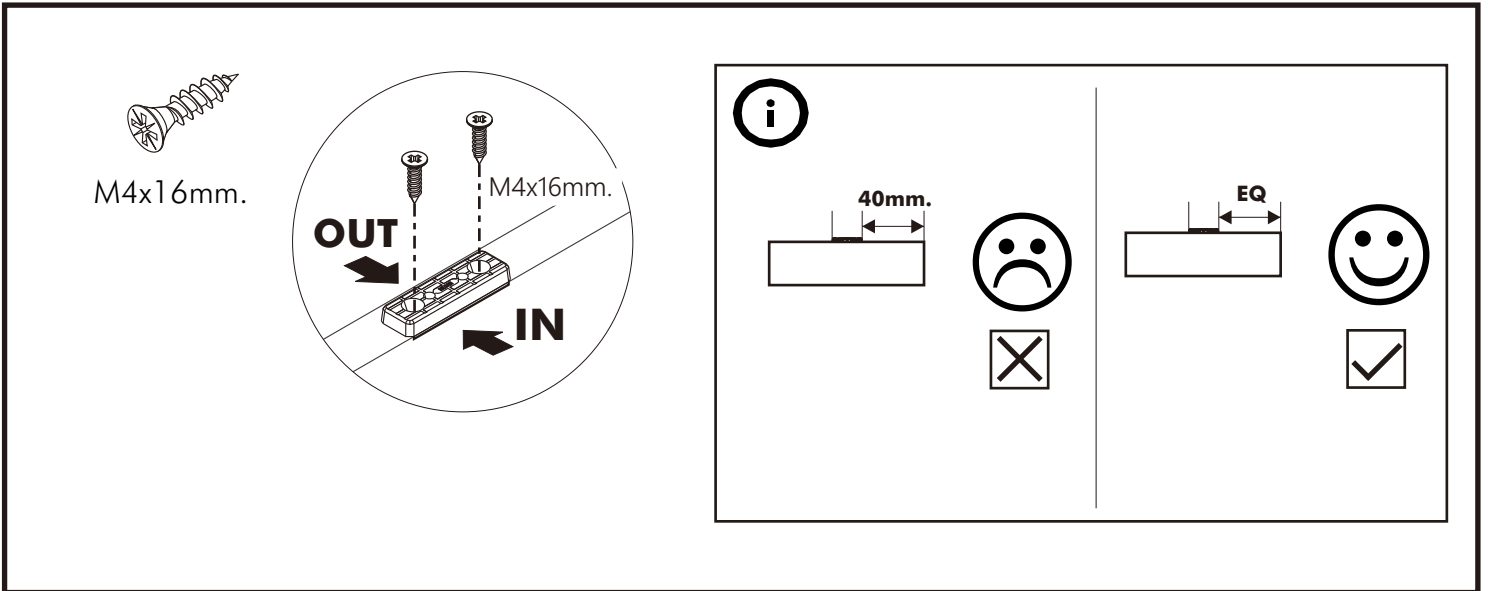
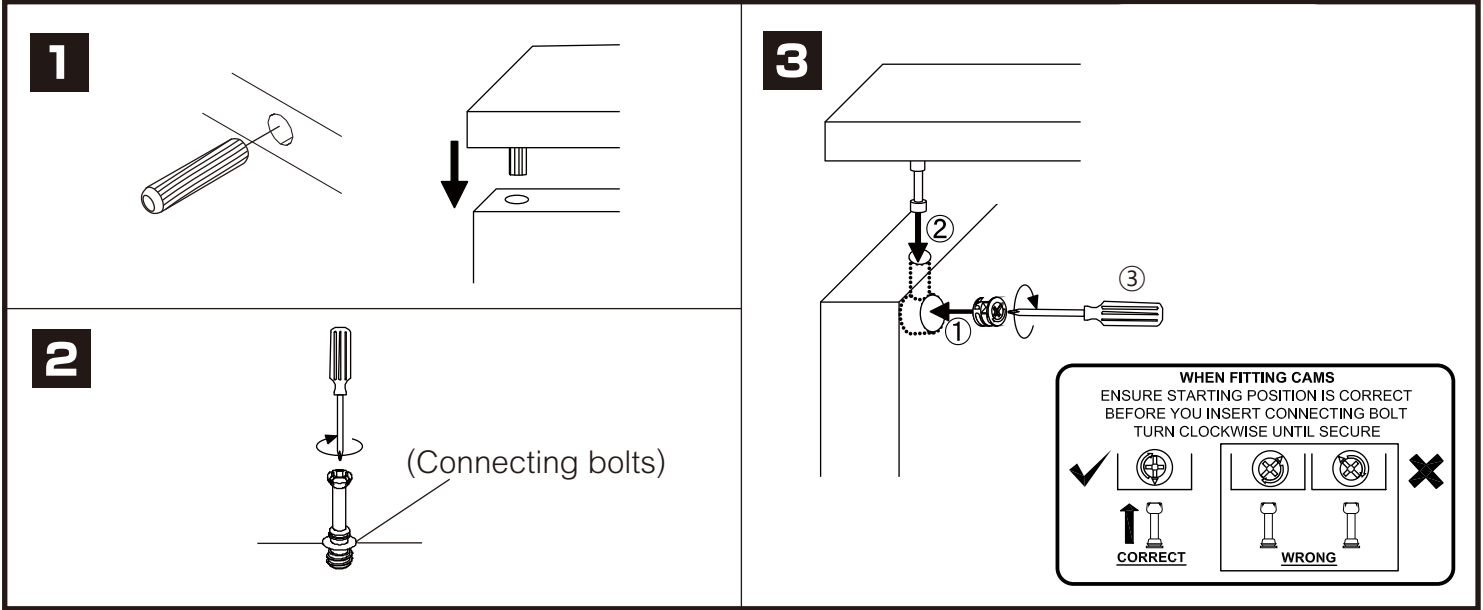


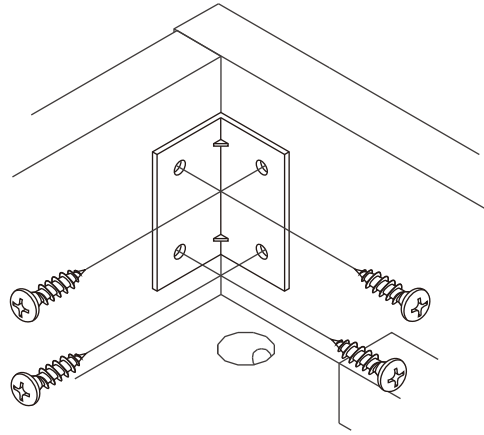
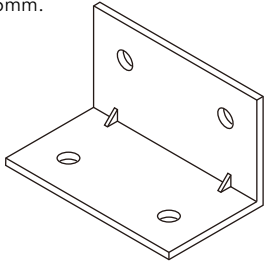
# VARA

**BED 3.5 ft.**



# CONNECT SYSTEM





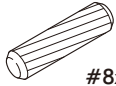
# HARDWARE

## -BODY SET



19mm.

**x 4**



#8x35

**x 8**



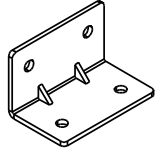
M4x16mm.

**x 16**

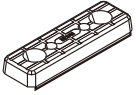


M4x16mm.

**x 26**



**x 4**



**x 8**



#M6

**x 2**



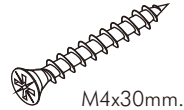
#M6

**x 2**



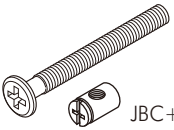
TF+M6x45

**x 2**



M4x30mm.

**x 38**



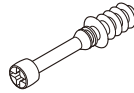
JBC+M6x60

**x 4**



No.1

**x 2**

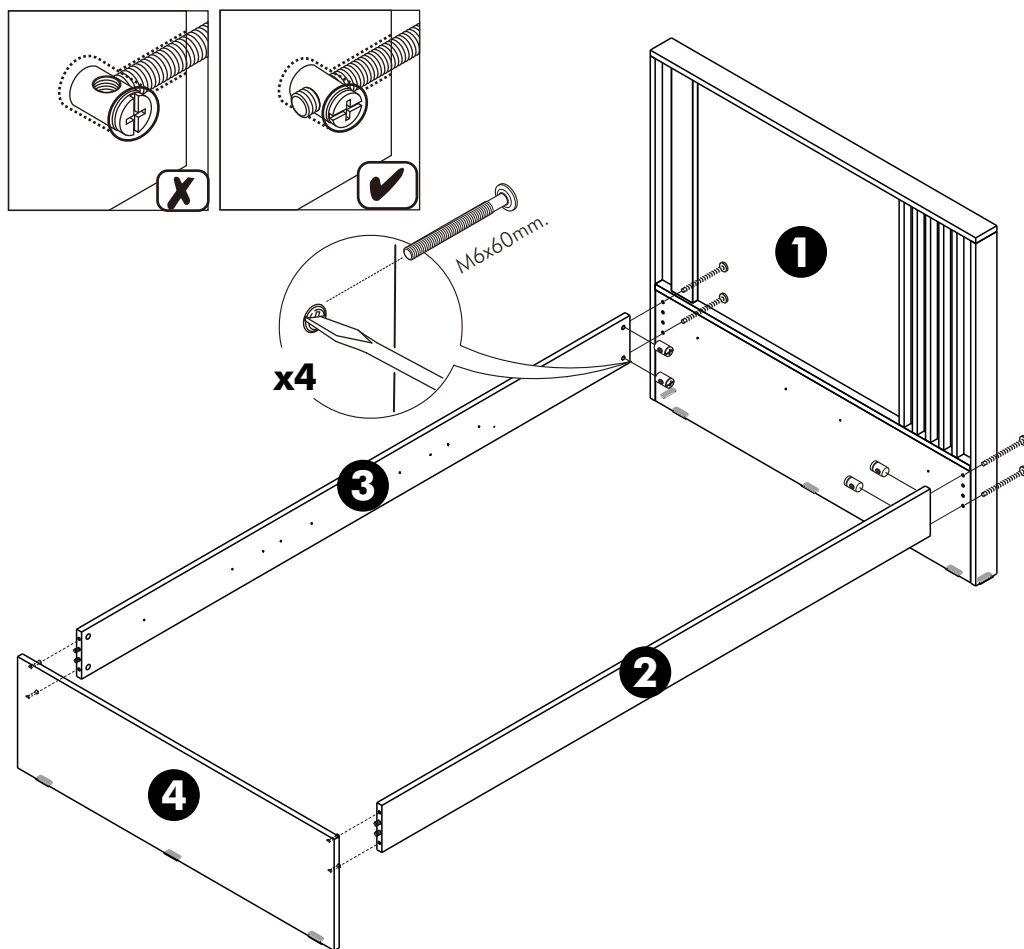


**x 4**

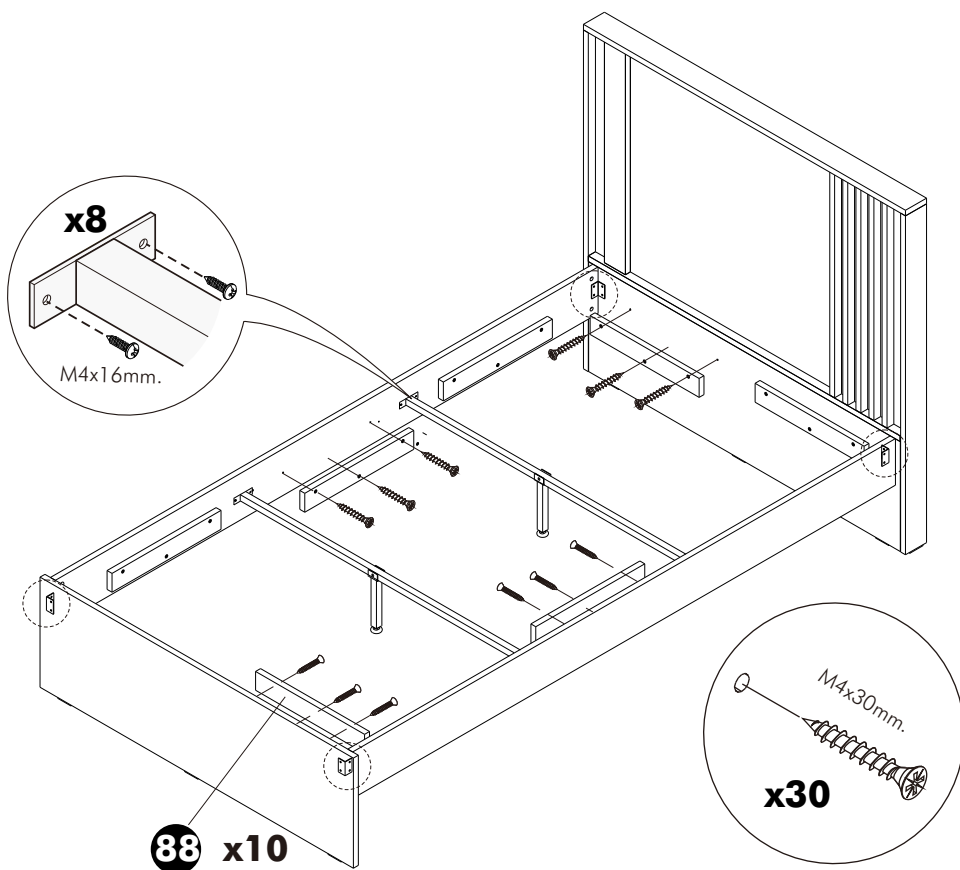
# ASSEMBLY

-BODY SET

## 1.



## 2.



**3.**

