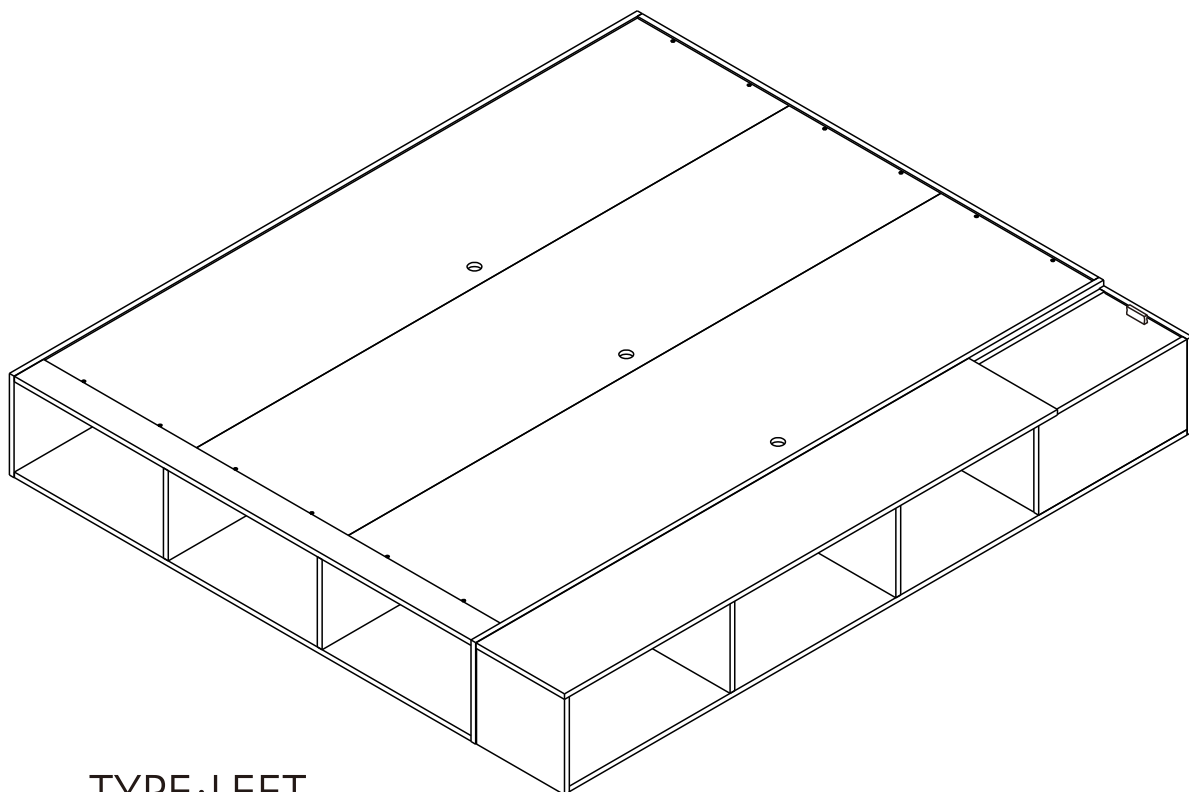
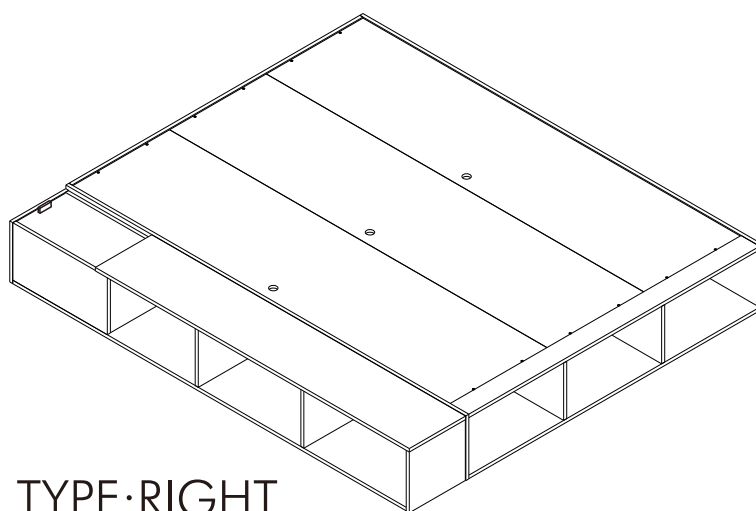


NIKKO

BED 5 ft.



TYPE:LEFT



TYPE:RIGHT

CONNECT SYSTEM

1

3

2

(Connecting bolts)

WHEN FITTING CAMS
 ENSURE STARTING POSITION IS CORRECT
 BEFORE YOU INSERT CONNECTING BOLT
 TURN CLOCKWISE UNTIL SECURE

✓				✗
↑				
CORRECT	WRONG			

M4x16mm.

i

40mm.

☹️

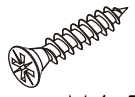
✗

EQ

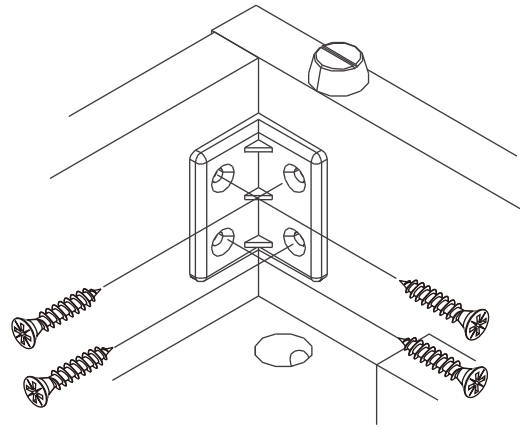
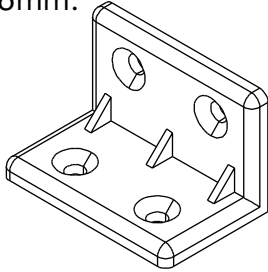
😊

✓

P+M4x16mm.

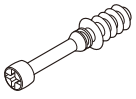


M4x16mm.



HARDWARE

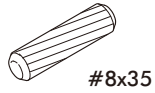
-BODY SET



x 18

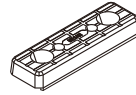


x 18

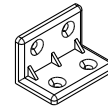


#8x35

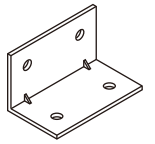
x 50



x 27



x 15



x 9



x 1



x 2

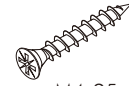


x 6



M4x16mm.

x 114



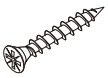
M4x25mm.

x 9



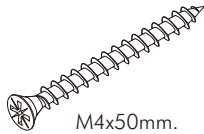
M4x30mm.

x 35



M4x20mm.

x 12



M4x50mm.

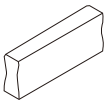
x 24



M4x16mm.

x 36

-DOOR SET

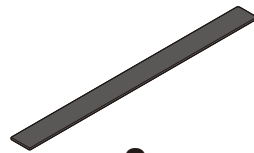


x 1



M4x15mm.

x 2

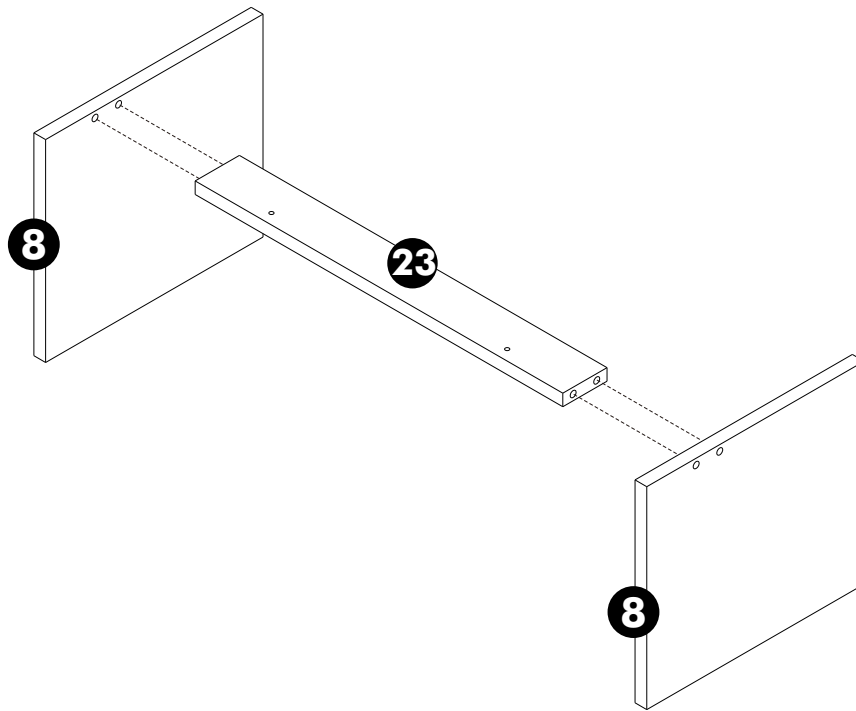


x 2

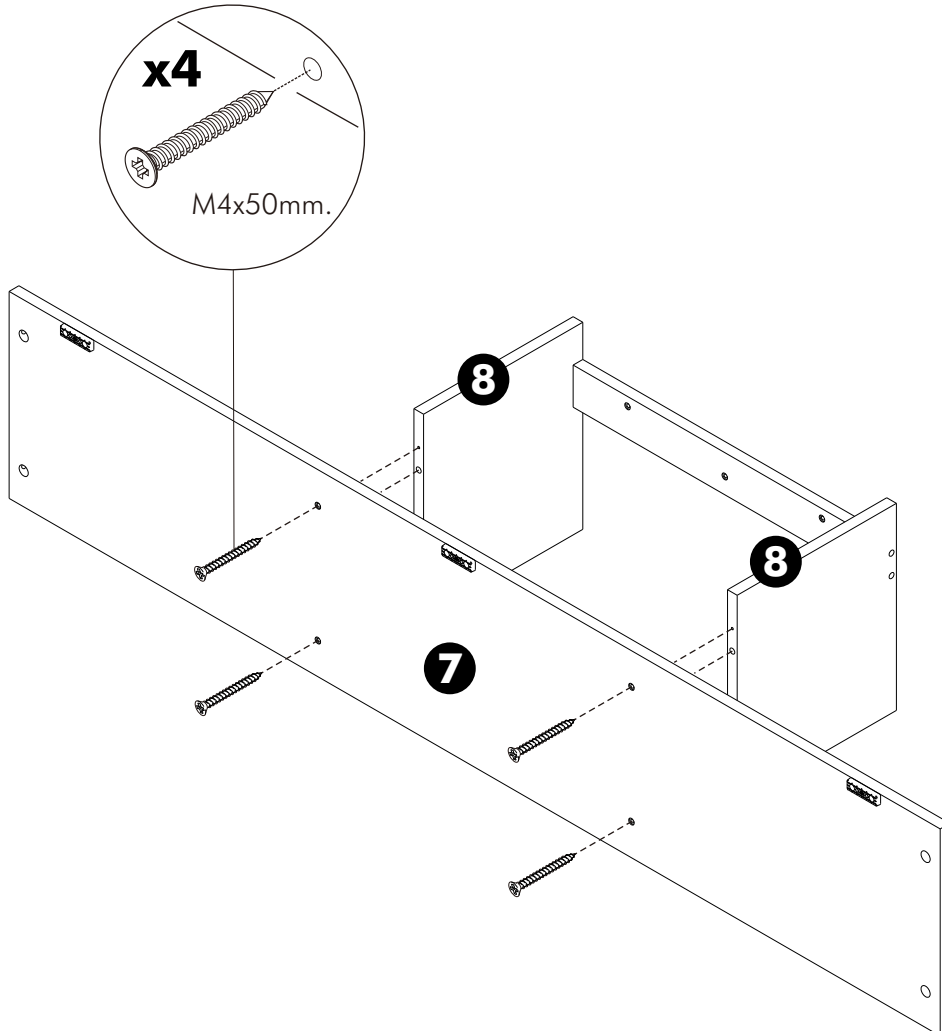
ASSEMBLY

-BODY SET

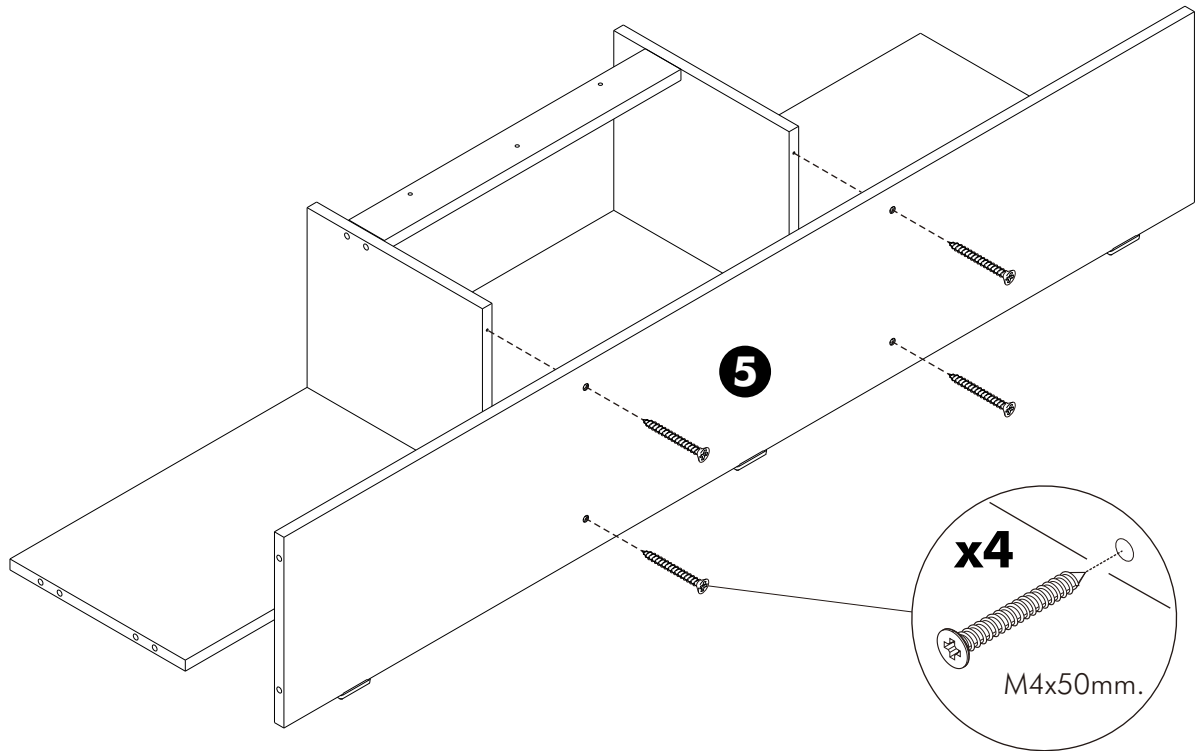
1.



2.



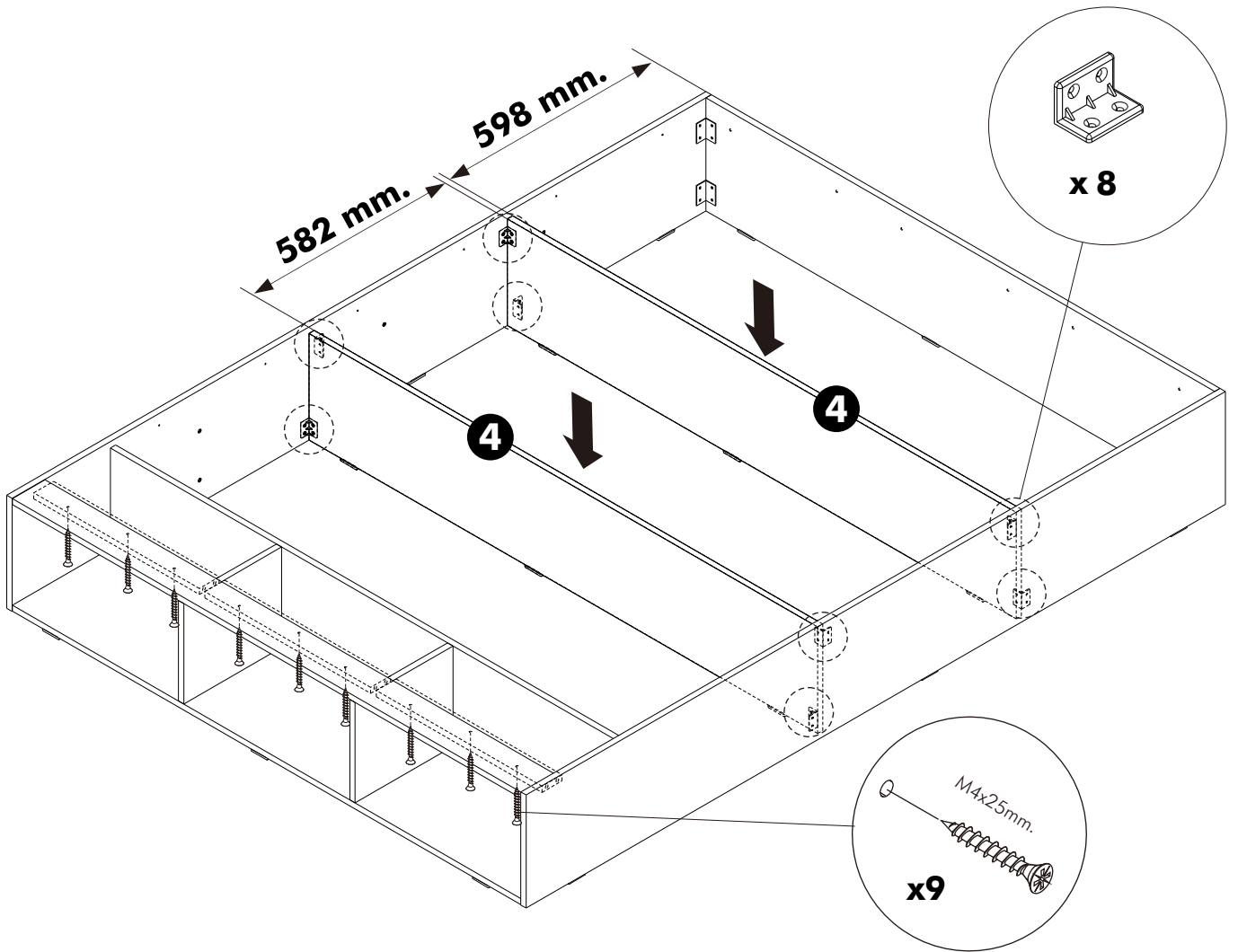
3.



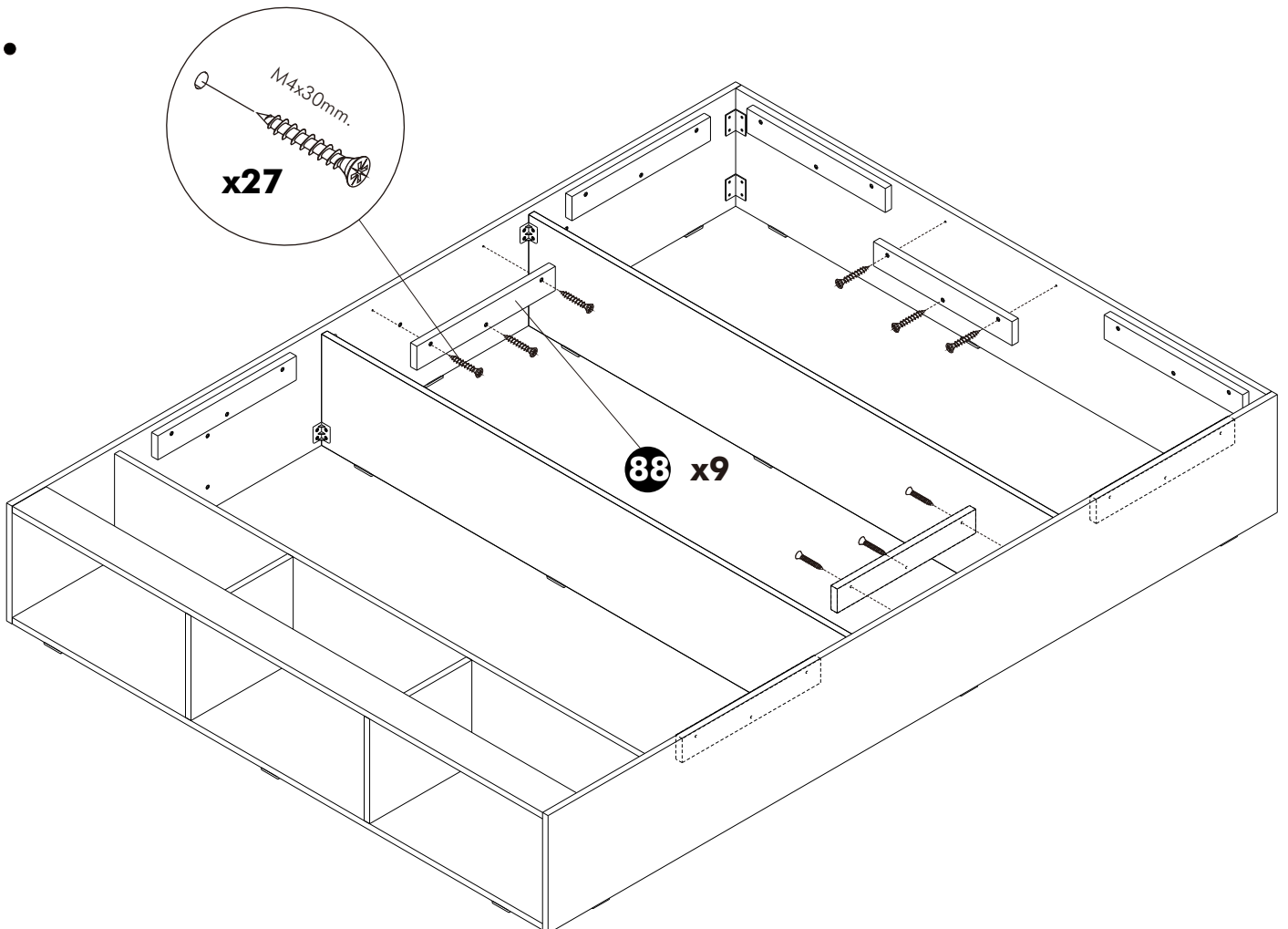
4.



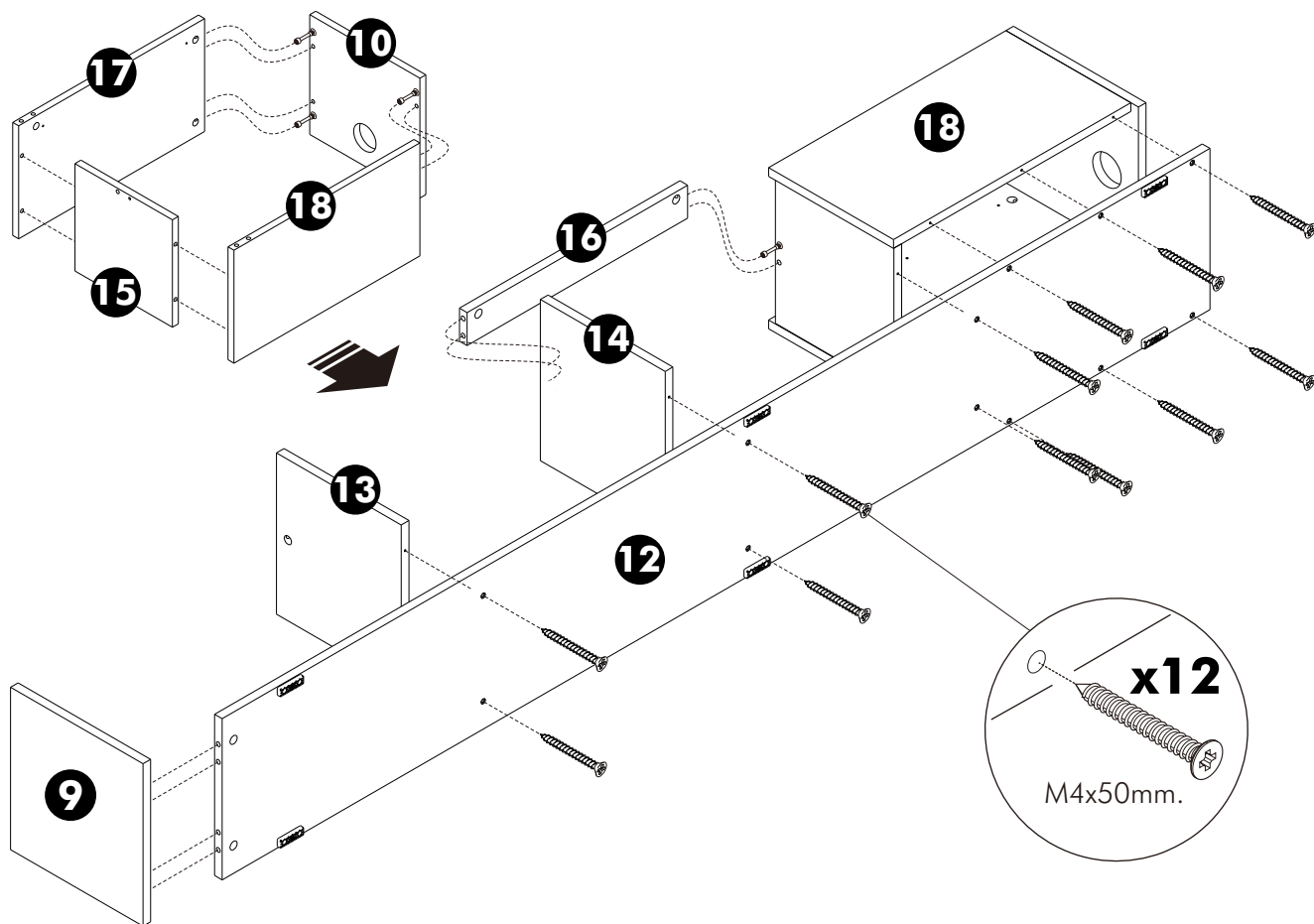
5.



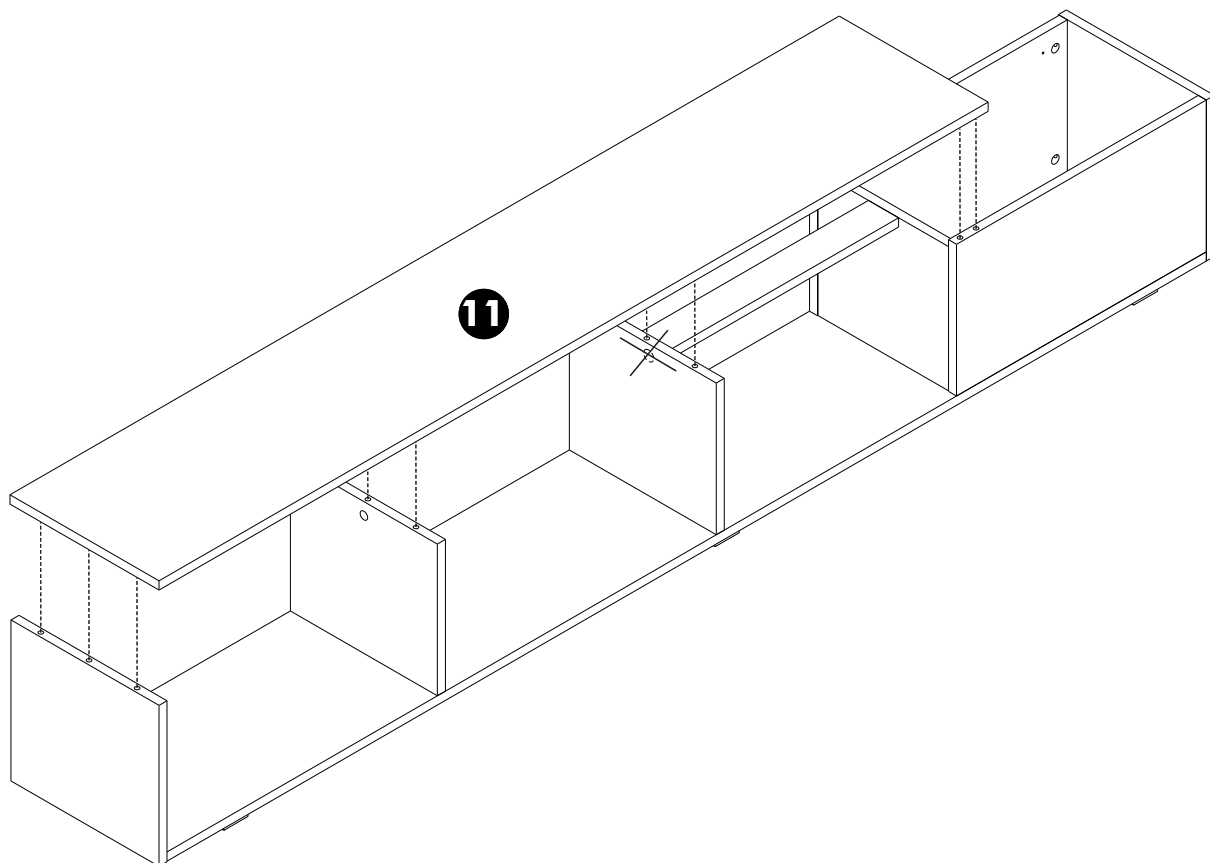
6.



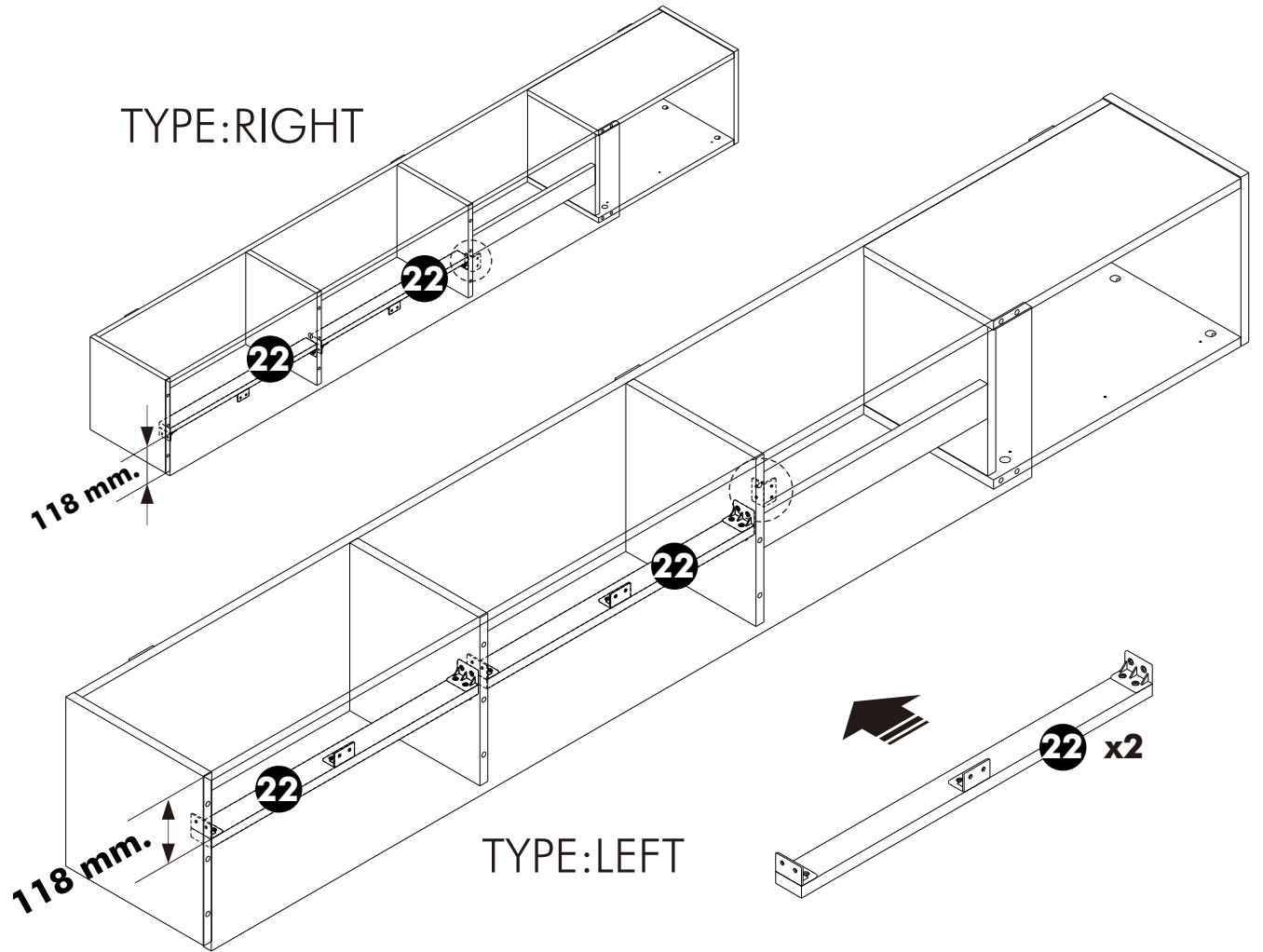
7.



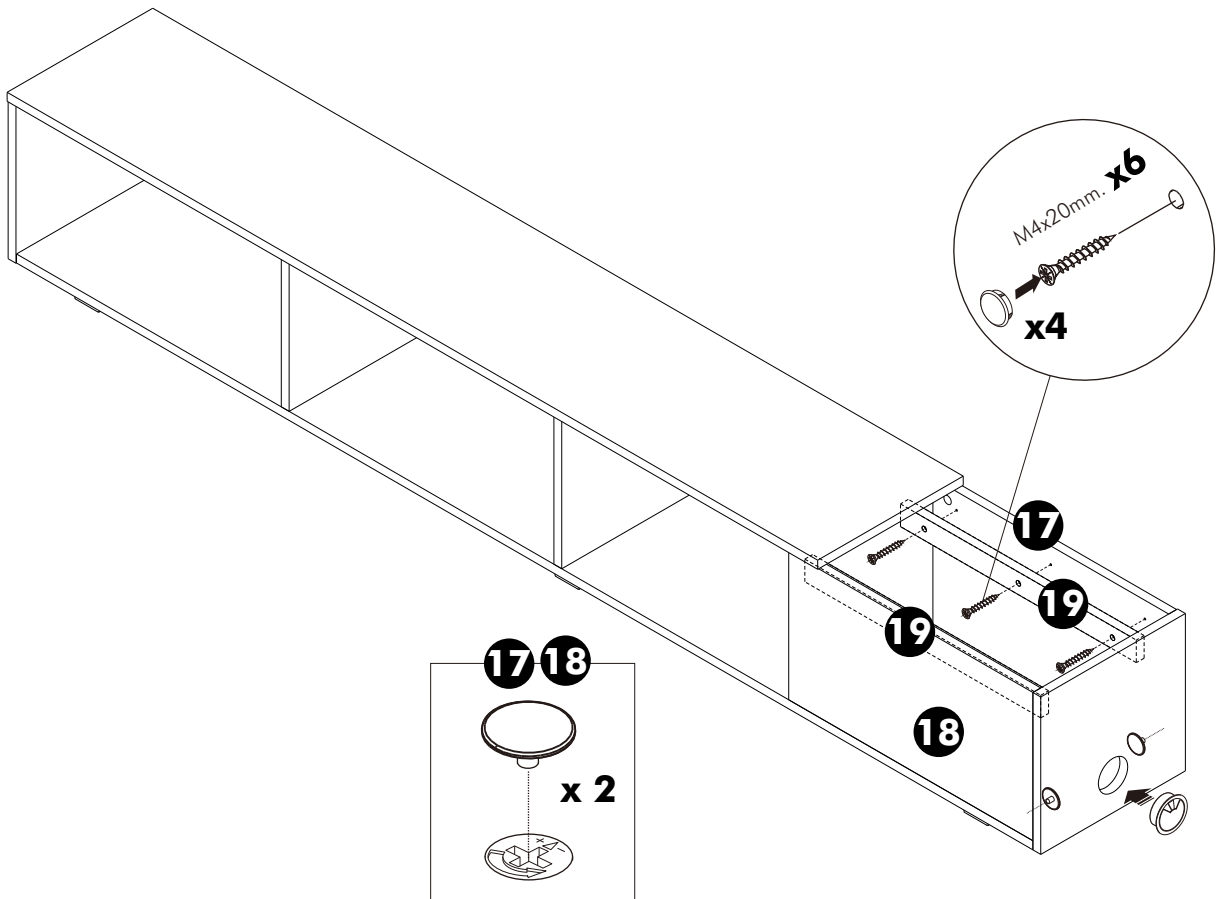
8.



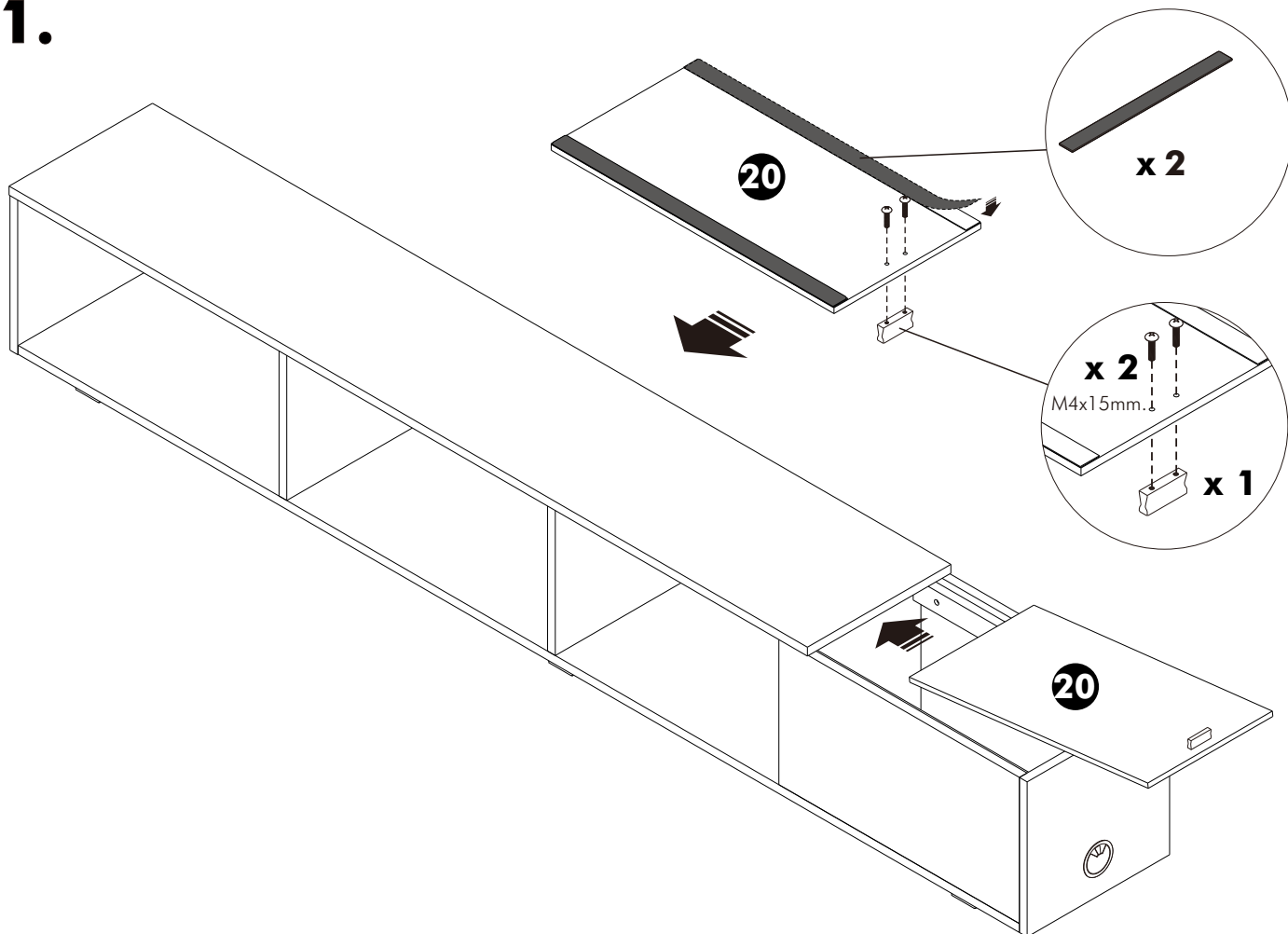
9.



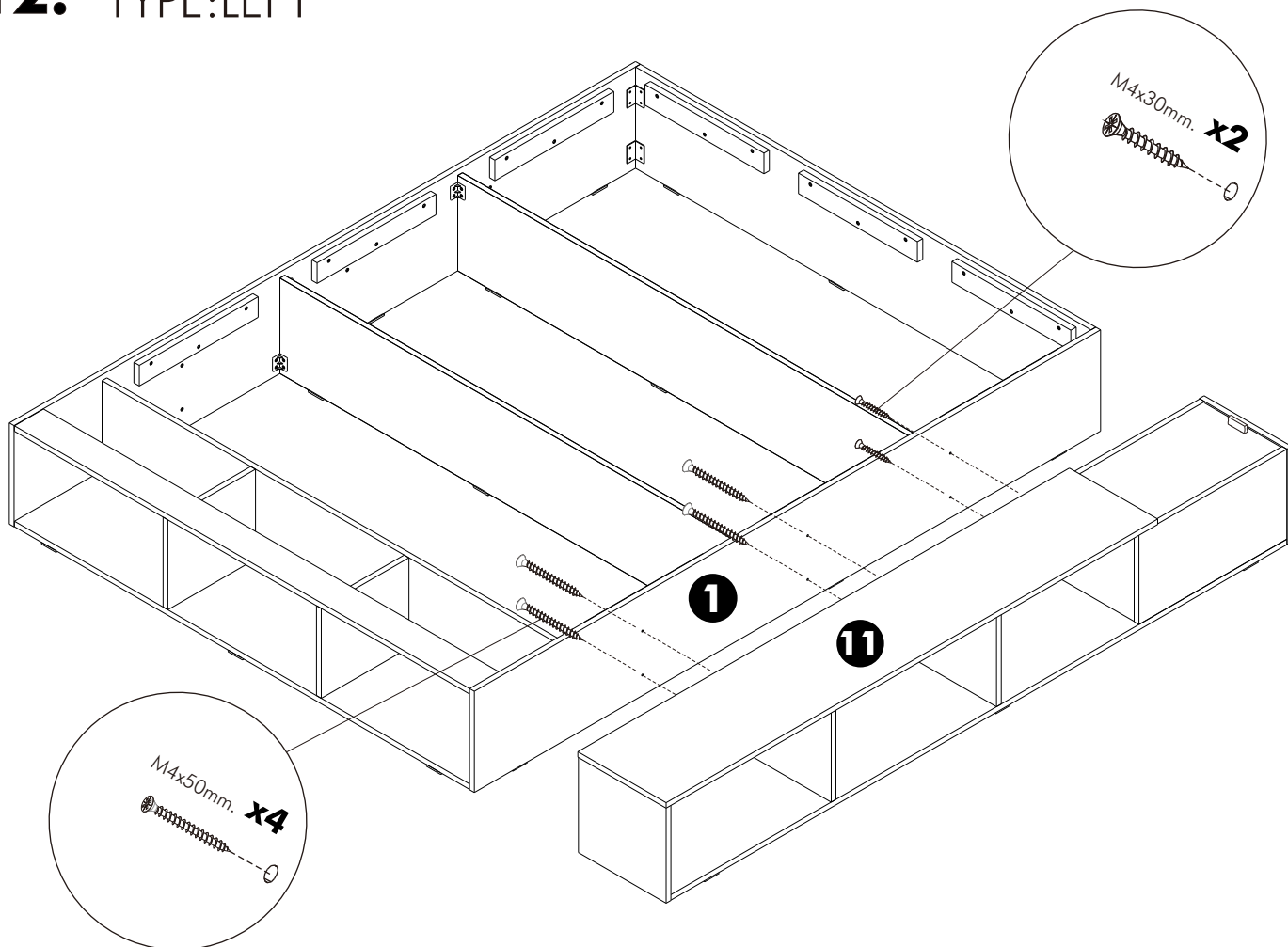
10.



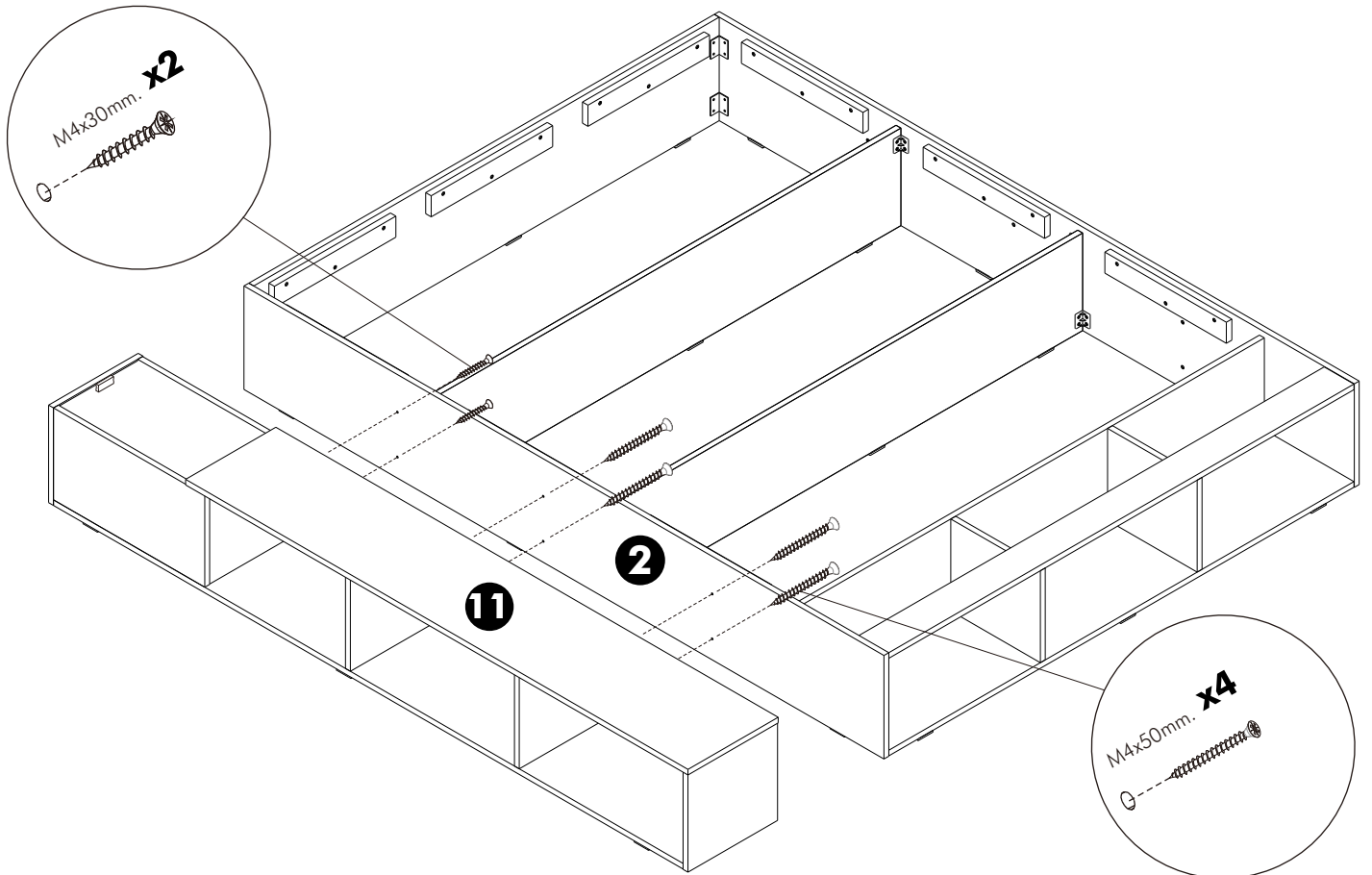
11.



12. TYPE:LEFT



12. TYPE:RIGHT



12.

