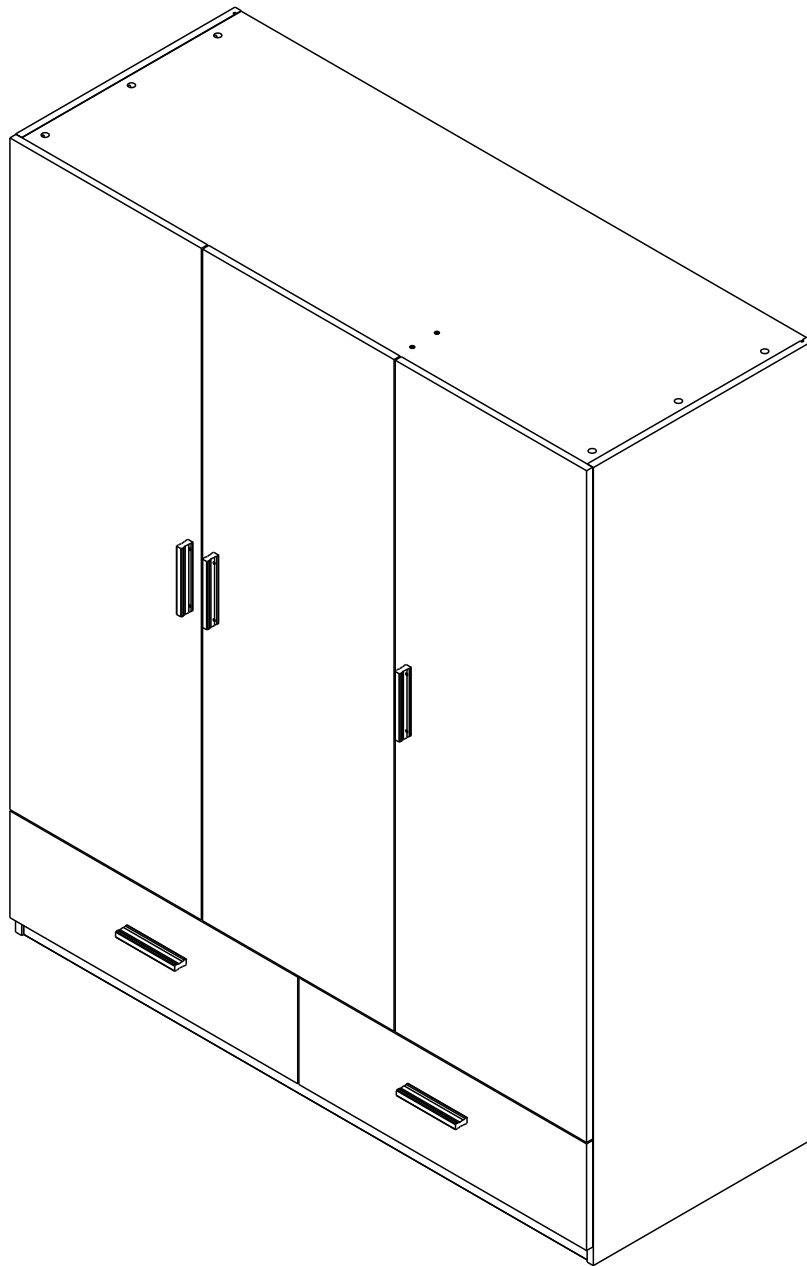


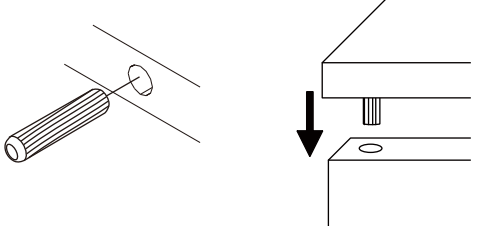
VASH-P

Wardrobe 3 DR+DW

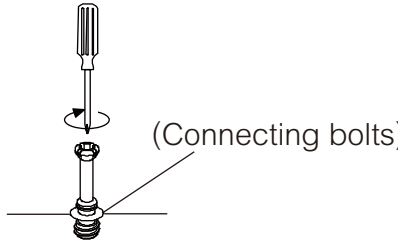


CONNECT SYSTEM

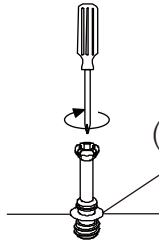
1



3

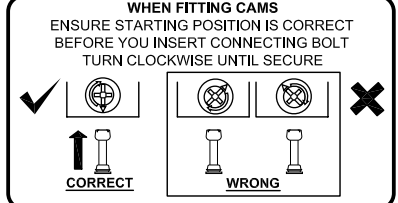


2




(Connecting bolts)

WHEN FITTING CAMS
ENSURE STARTING POSITION IS CORRECT
BEFORE YOU INSERT CONNECTING BOLT
TURN CLOCKWISE UNTIL SECURE



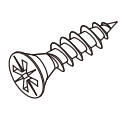
✓

↑
CORRECT

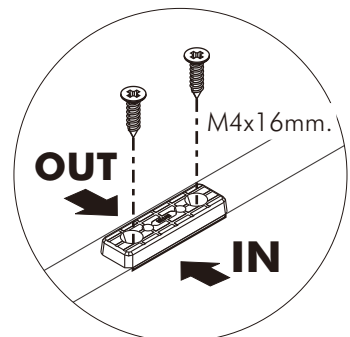


✗

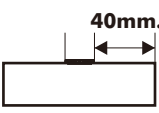
↓
WRONG



M4x16mm.



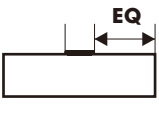
i



40mm.

☹️


☒



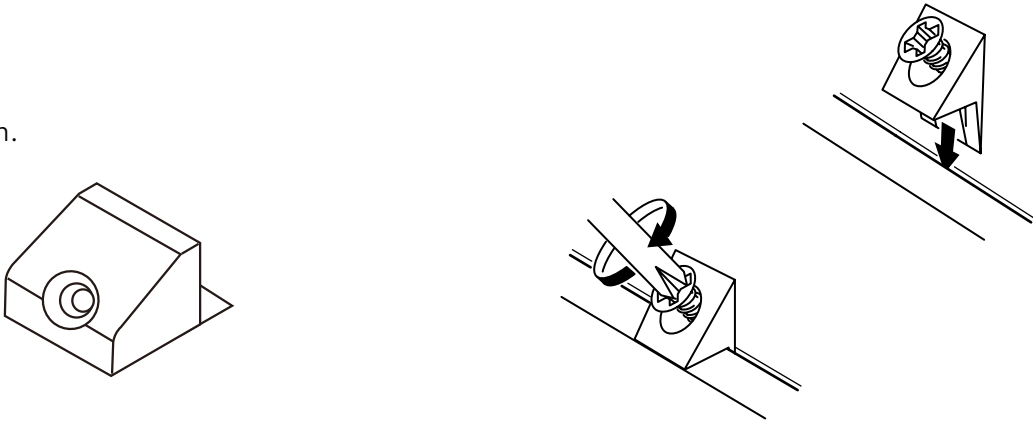
EQ

☺️

☑️

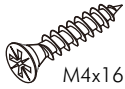
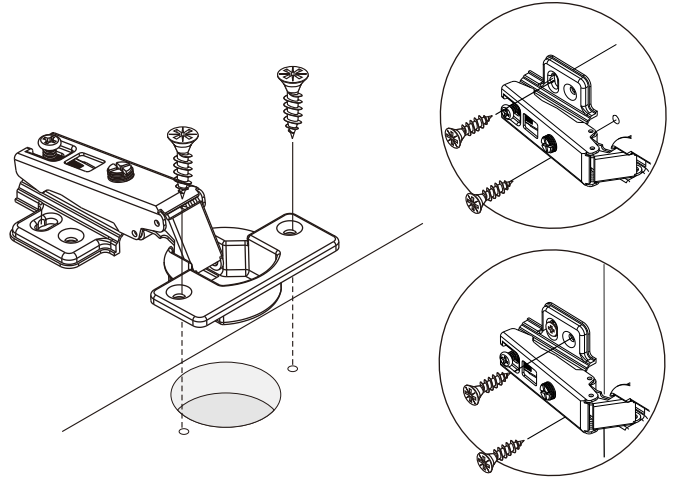
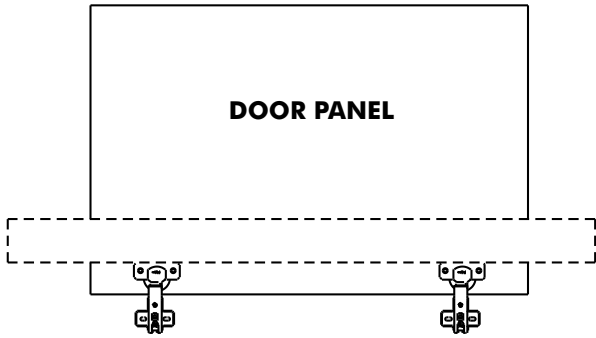


M3.5x20mm.

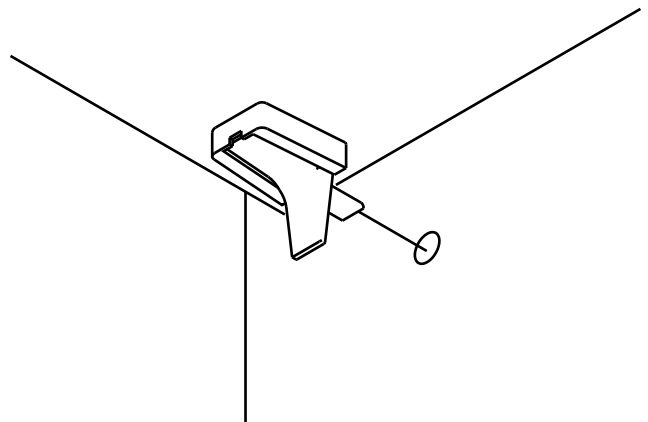
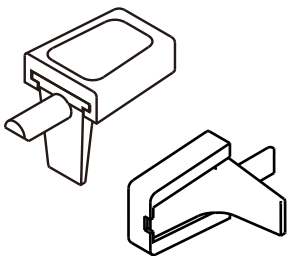
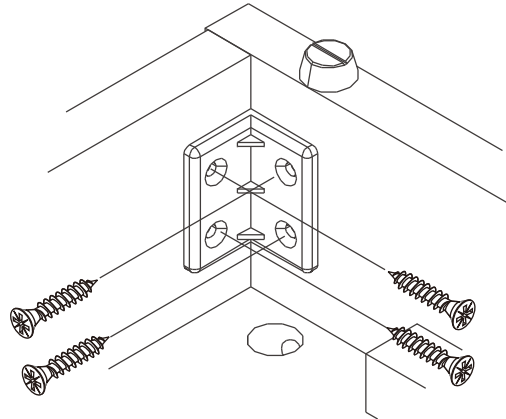
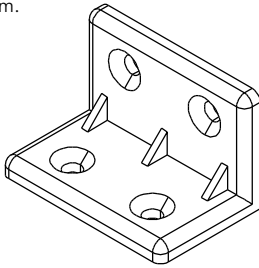




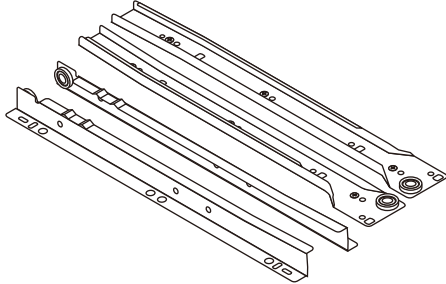
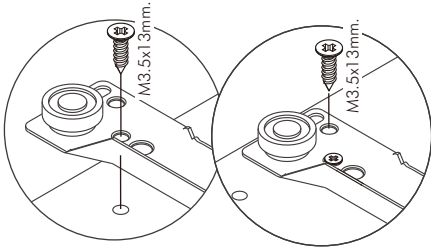
M4x16mm.



M4x16mm.

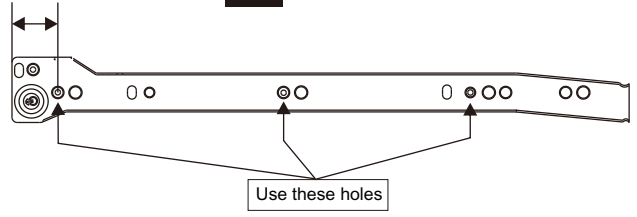


M3.5x13mm.

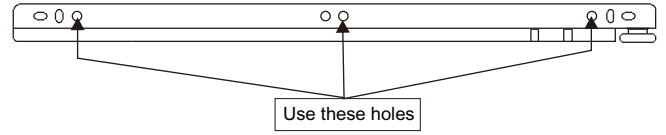


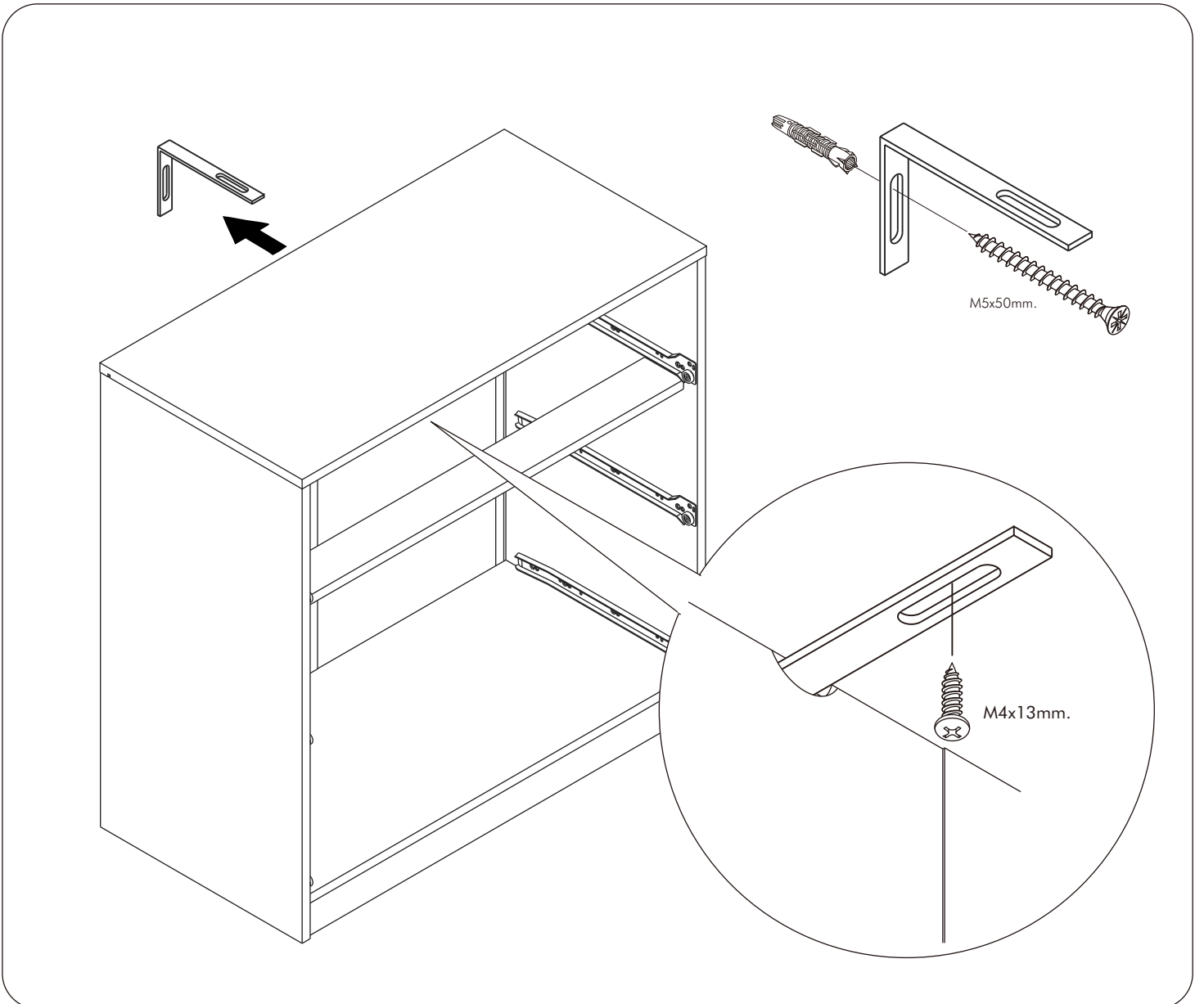
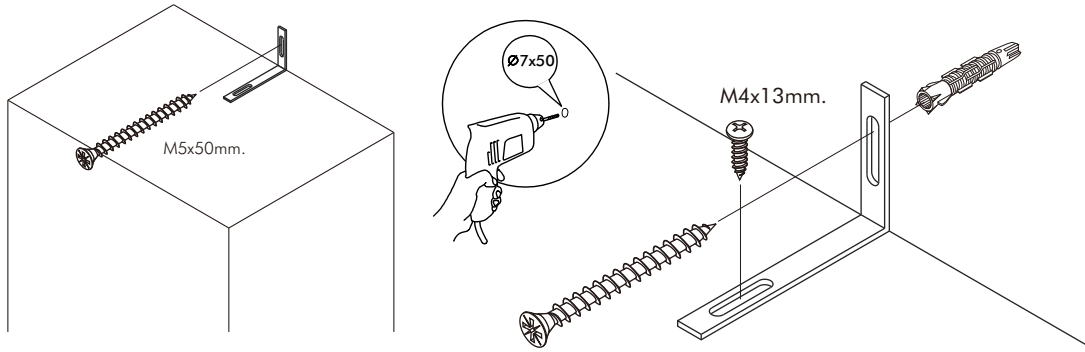
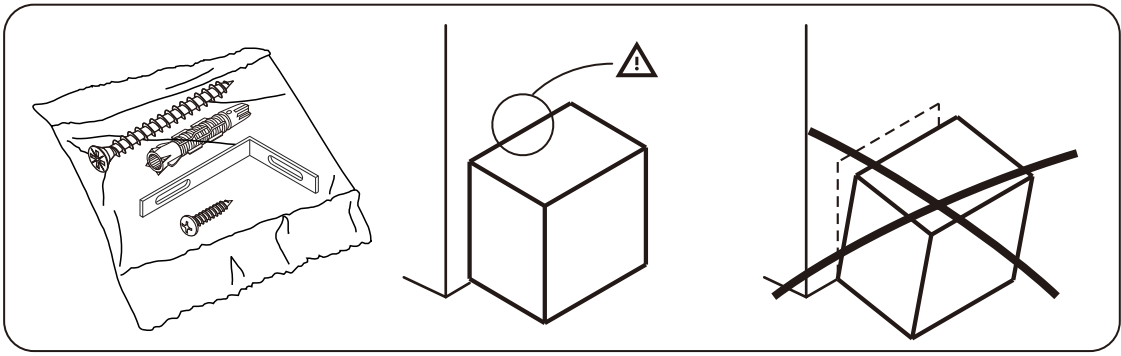
28mm.

1



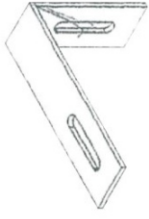
2



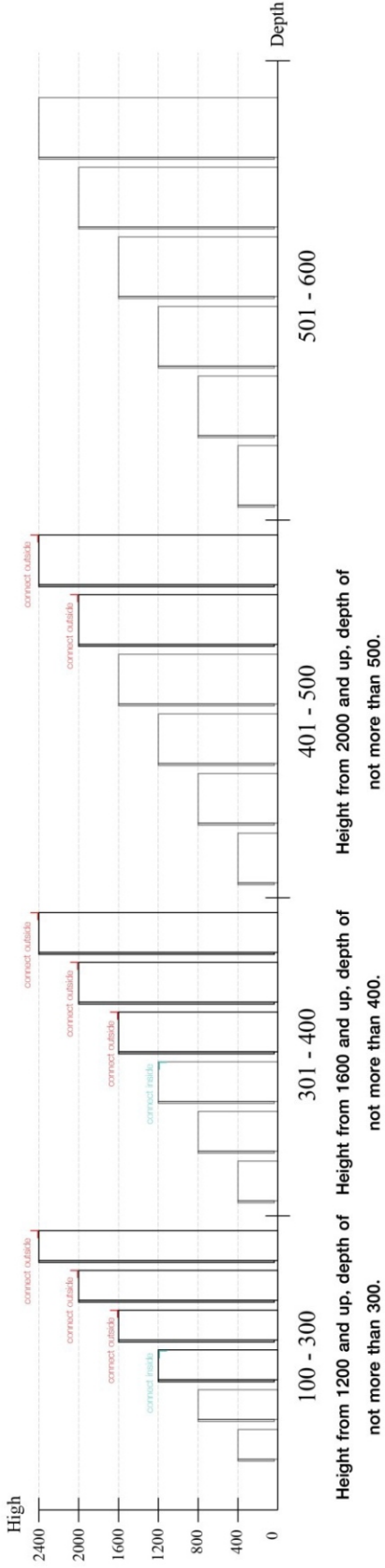


The Standard for identifying which mounted safety fall protection fitting to use **Note : That children's products must be installed with all anti-falling fittings.**

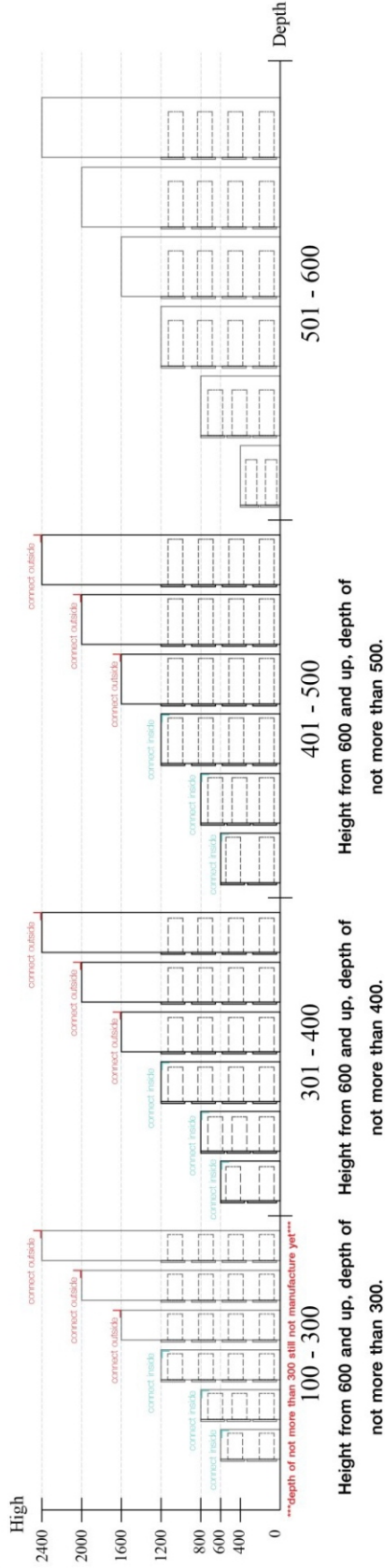
■ Mounted fall protection fittings



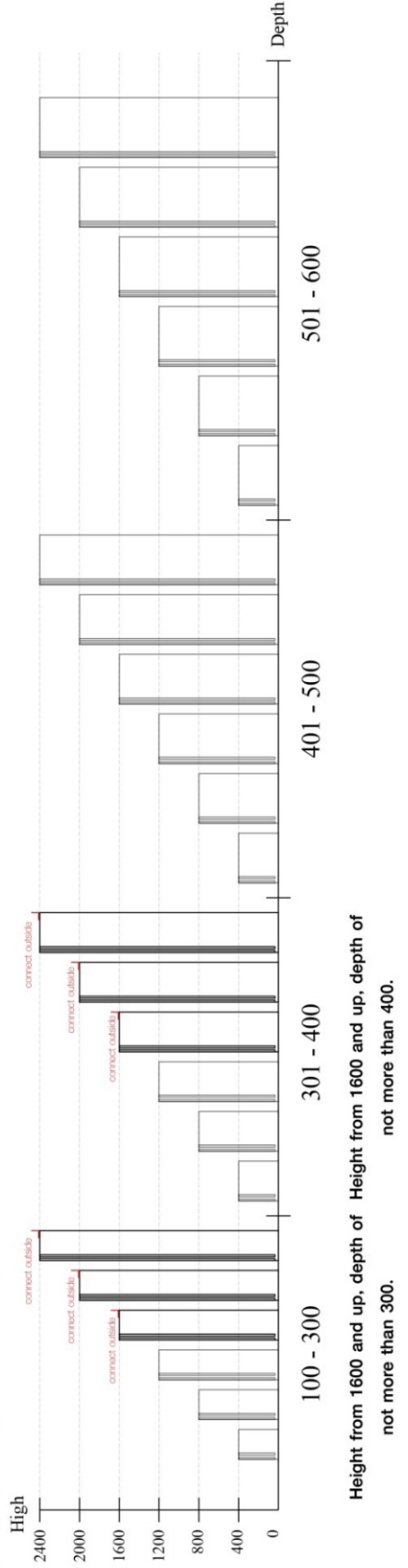
■ Category : Cabinet with open doors



■ Category : Chest of drawers

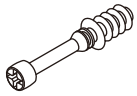


■ Category : Sliding door cabinet / Open cabinet



HARDWARE

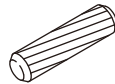
-BODY SET



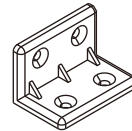
x 8



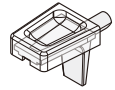
x 8



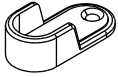
x 23



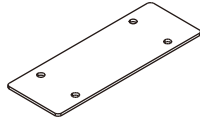
x 26



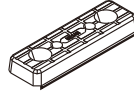
x 4



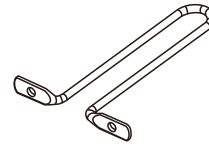
x 2



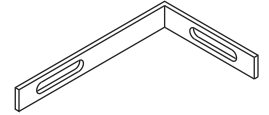
x 4



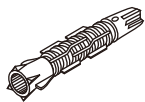
x 14



x 1



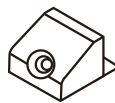
x 2



x 2



x 2



x 4



M4x50mm.

x 11



M4x16mm.

x 132



M3.5x13mm.

x 4



M4x16mm.

x 20



M5x50mm.

x 2



M4x13mm.

x 16



M4x13mm.

x 6



M4x45mm.

x 3

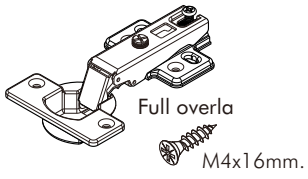


M3.5x20mm.

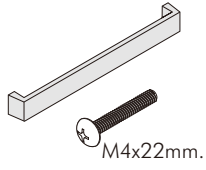
x 4

HARDWARE

-DOOR SET



x 9/54

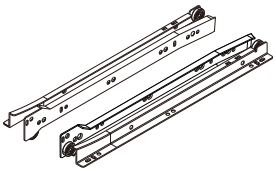


x 5/10



x 10

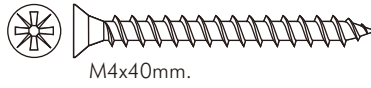
-DRAWER SET



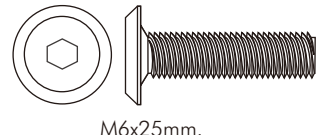
x 2



x 28



x 20



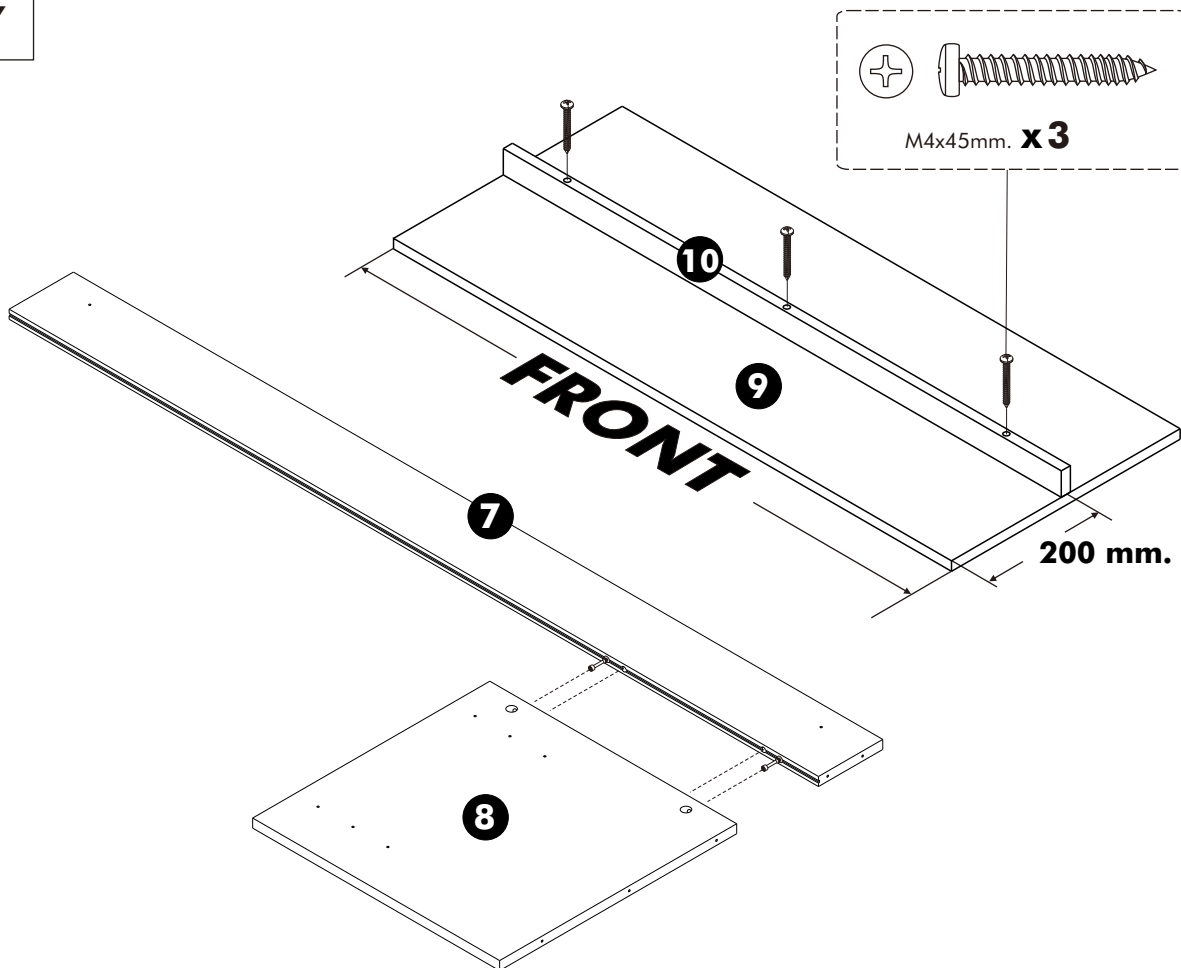
M6x25mm.

x 6

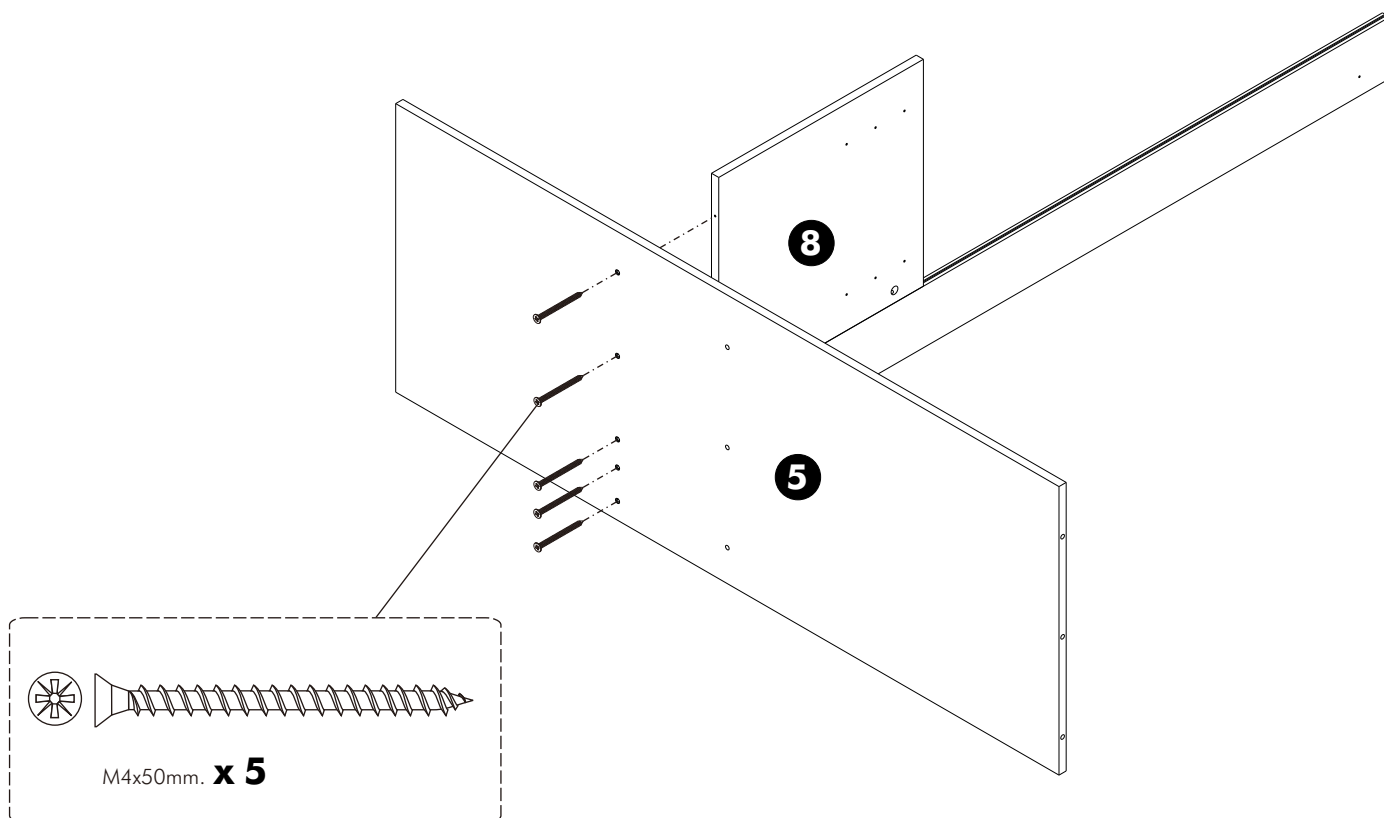
ASSEMBLY

-BODY SET

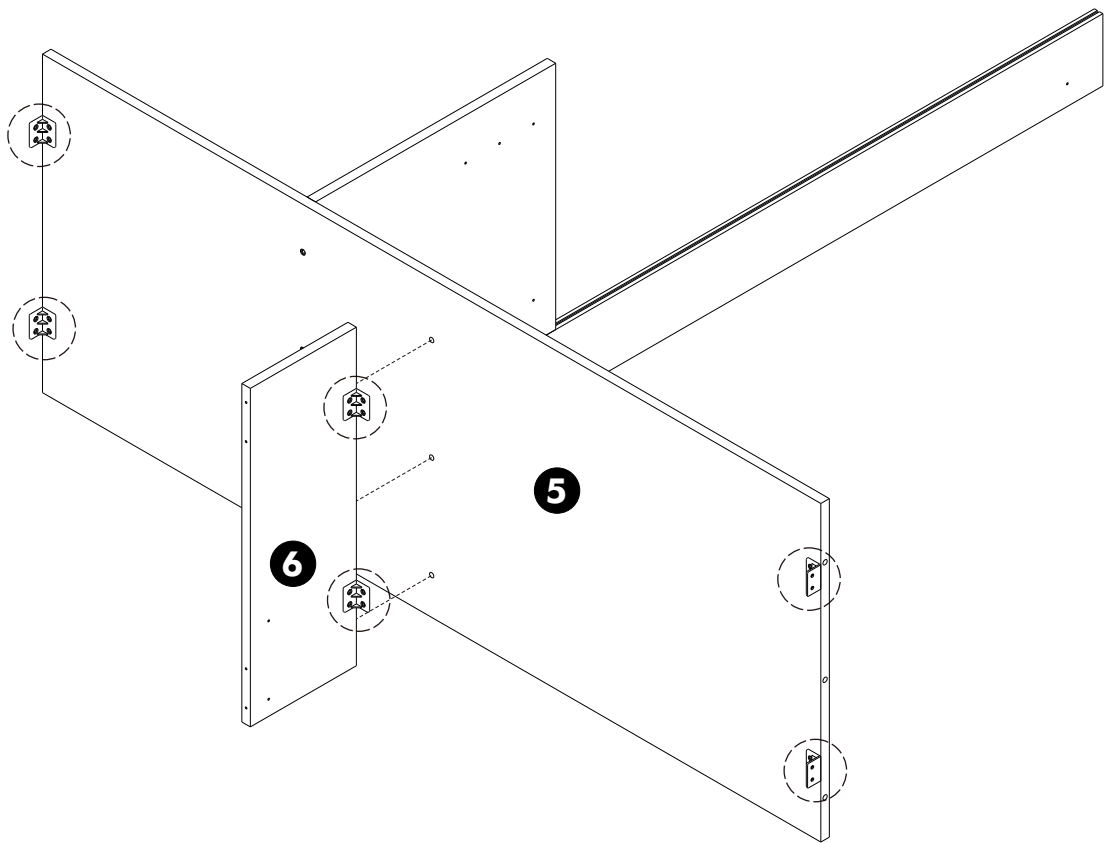
1.



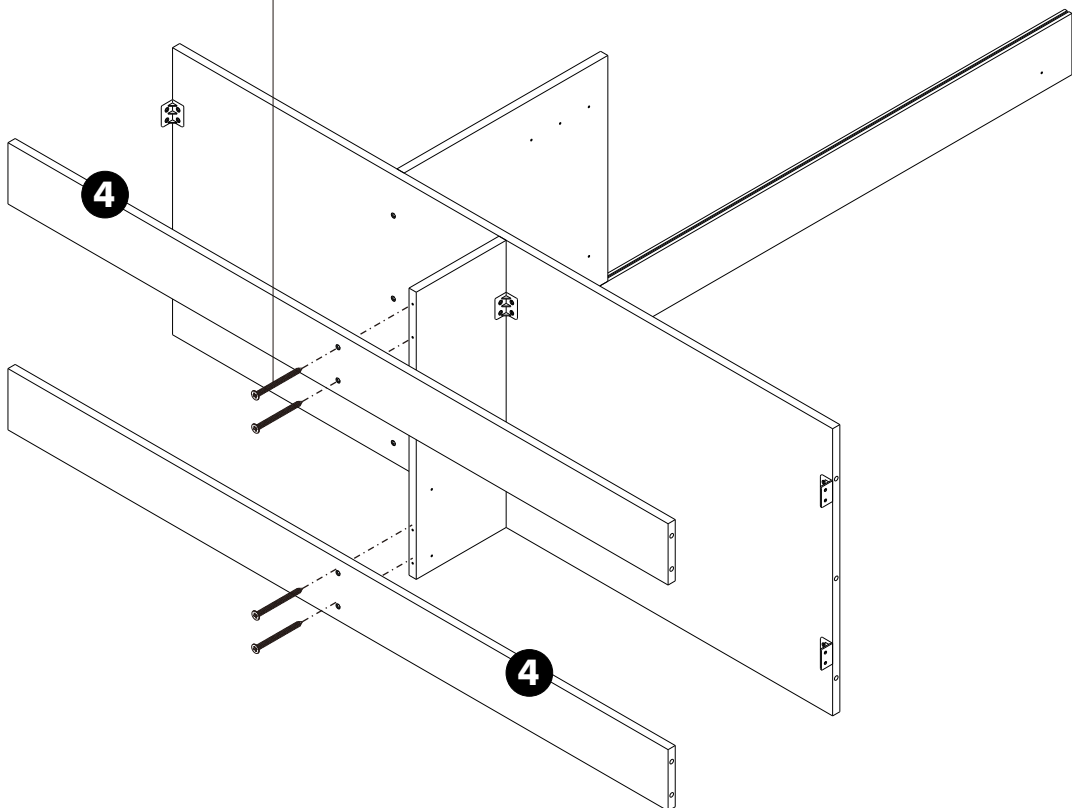
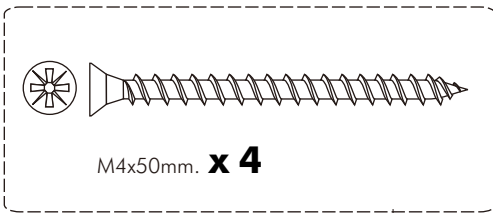
2.



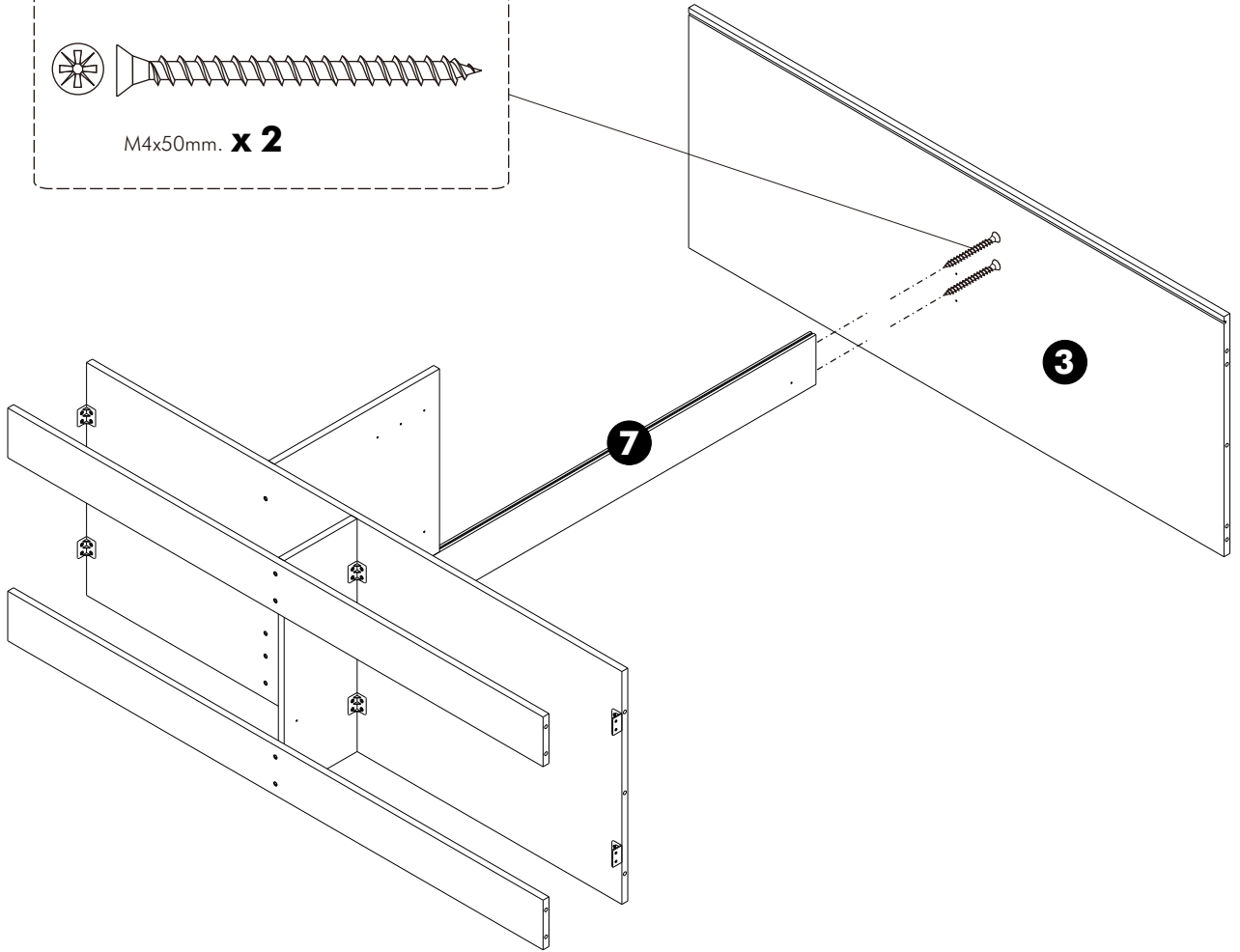
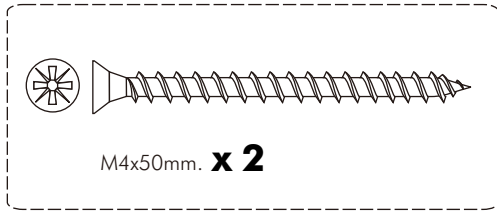
3.



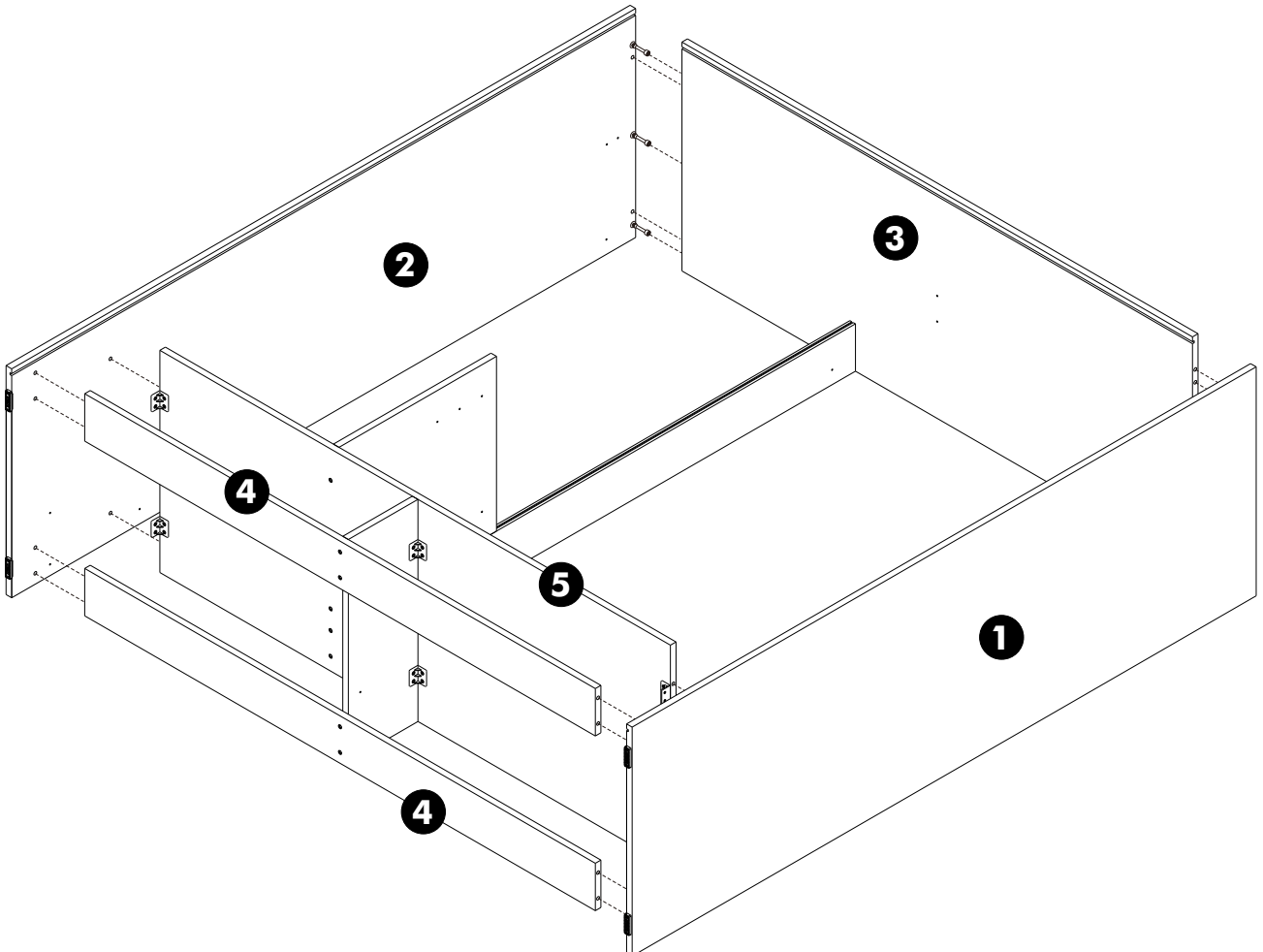
4.



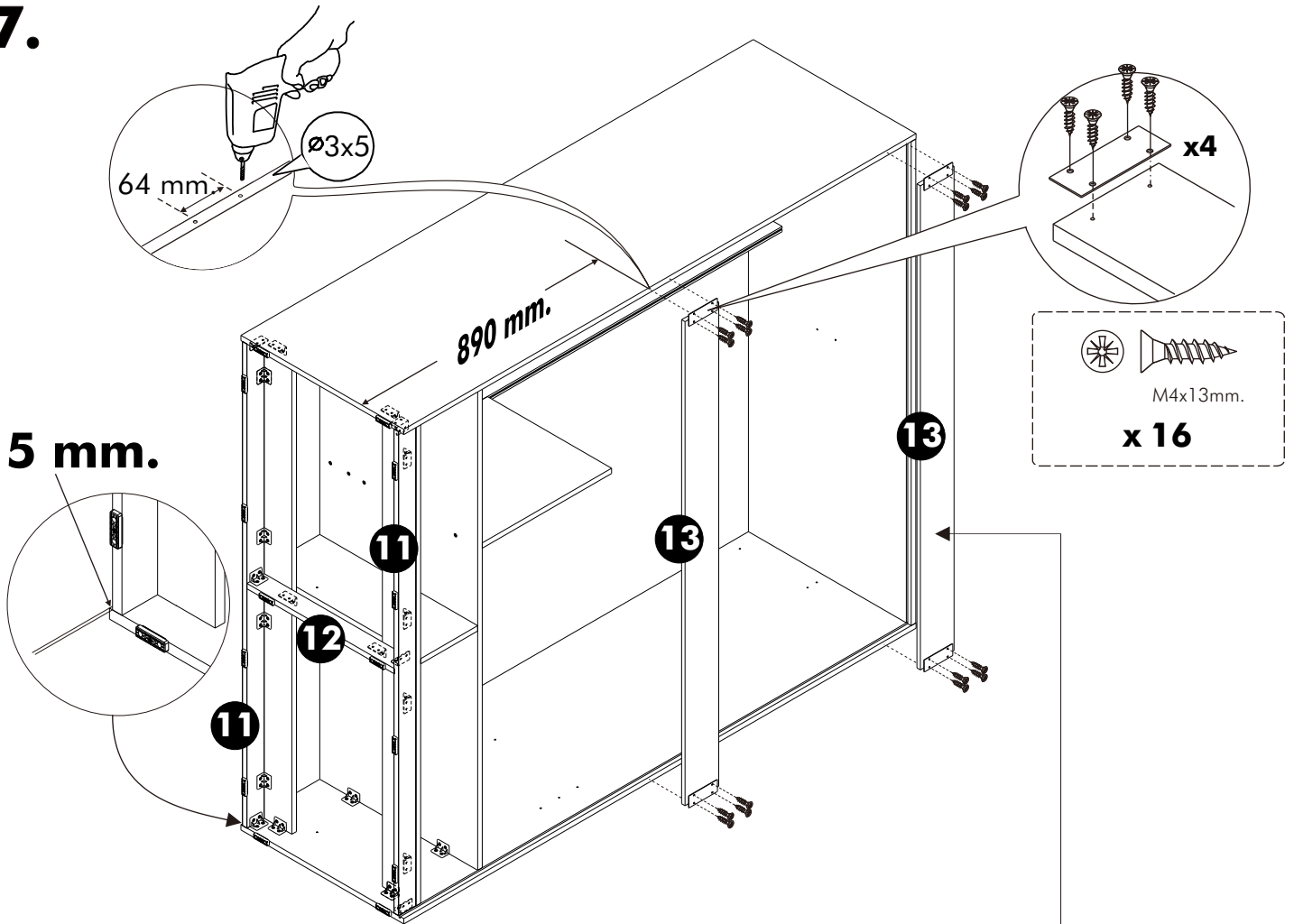
5.



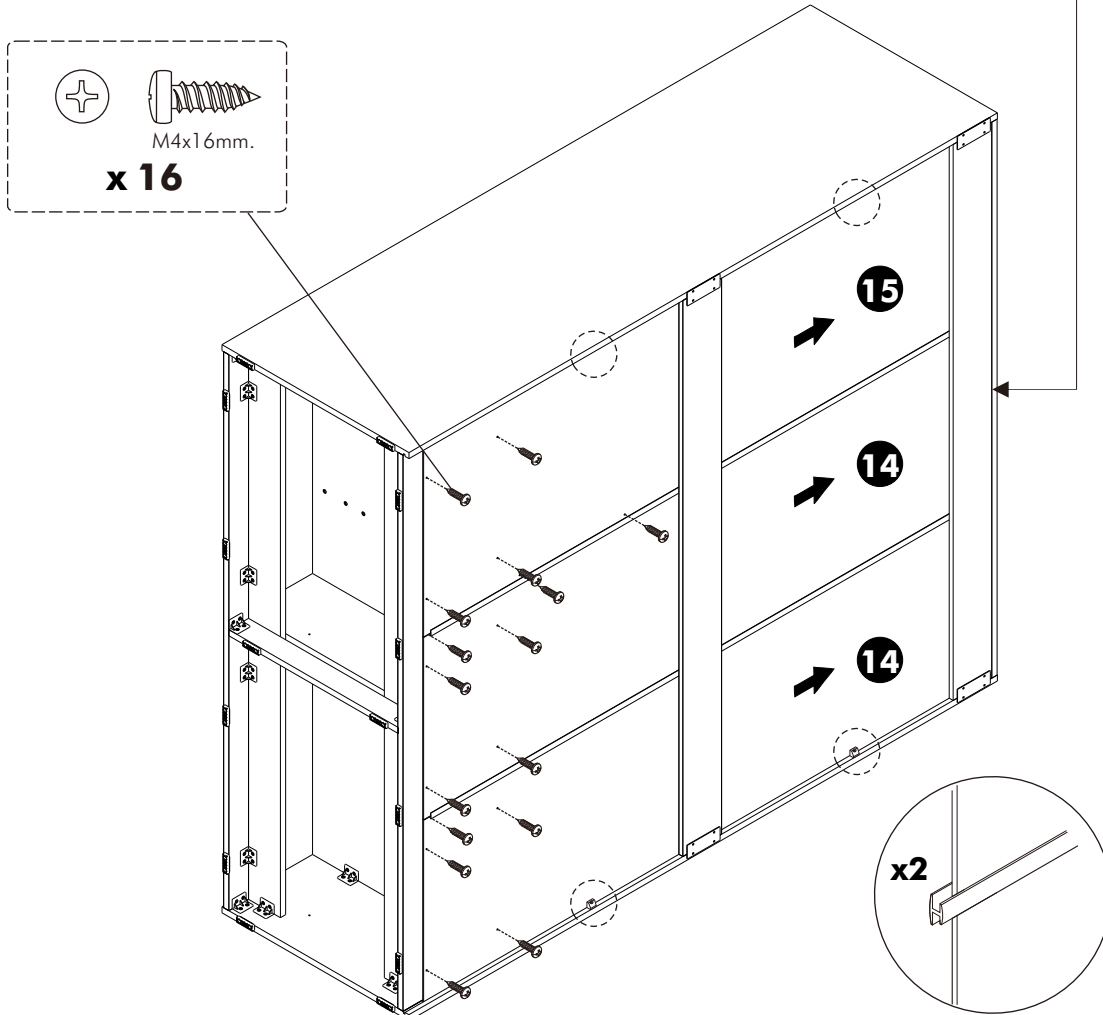
6.



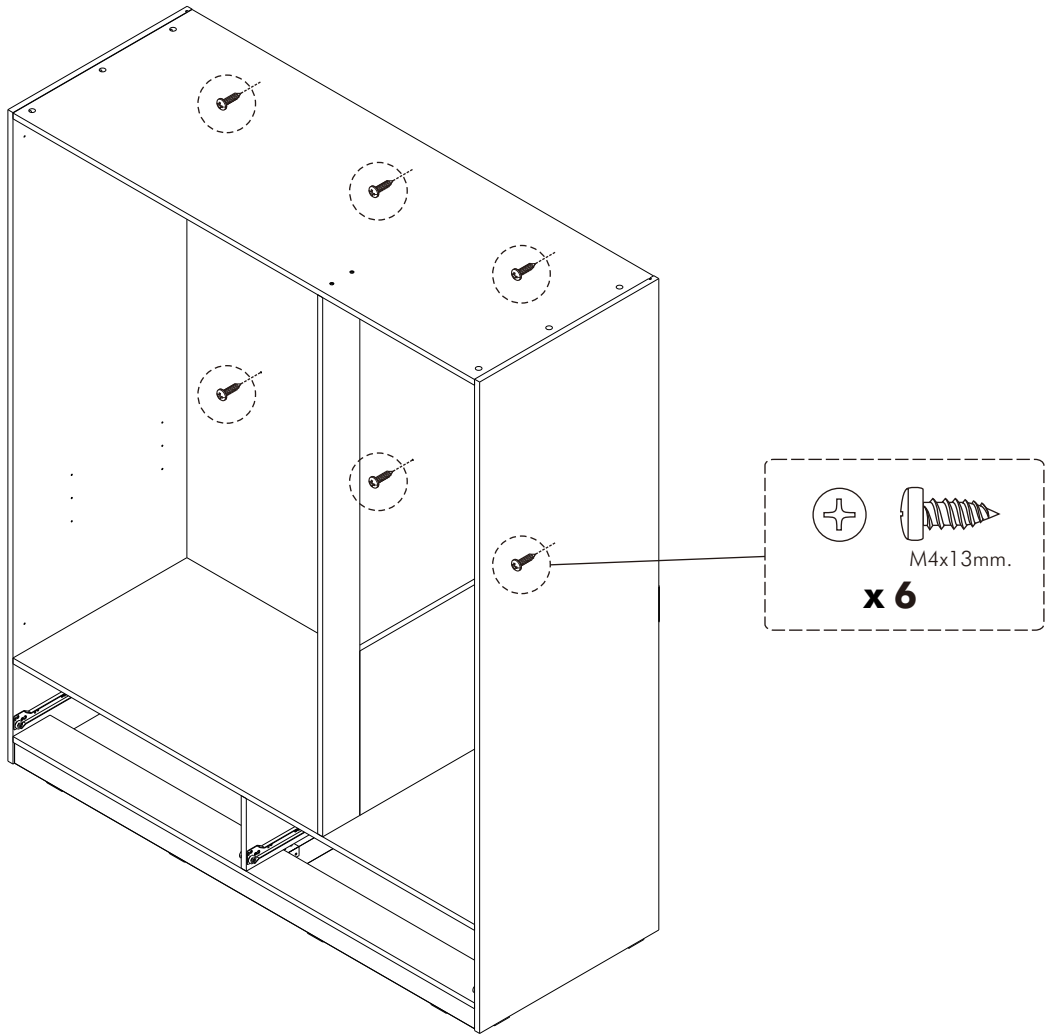
7.



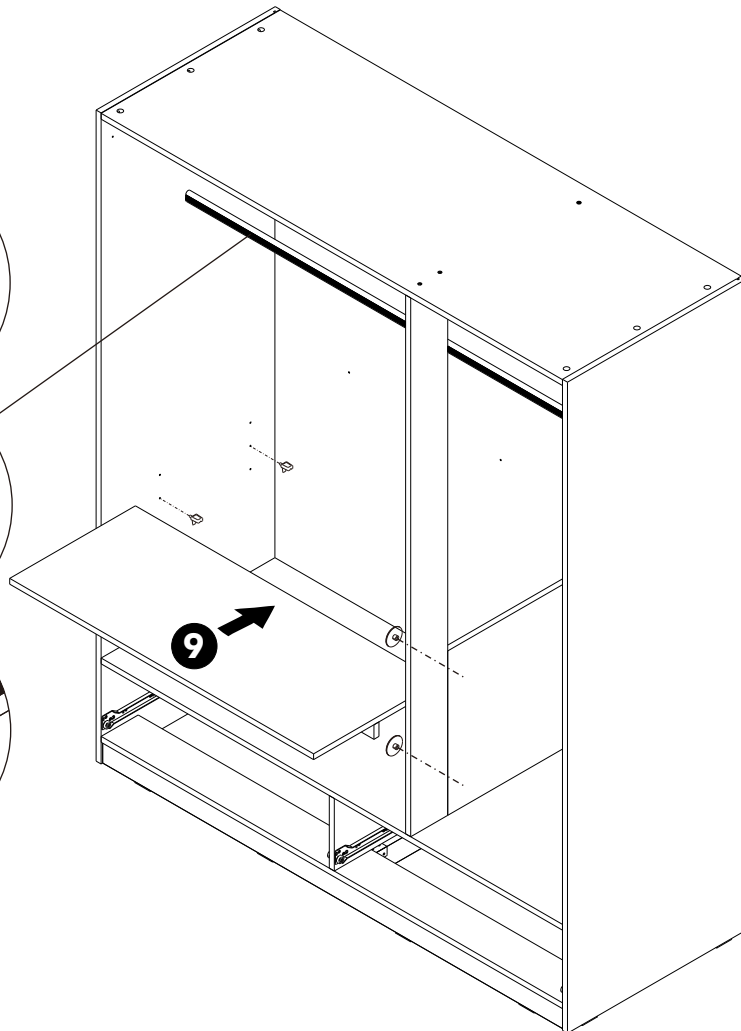
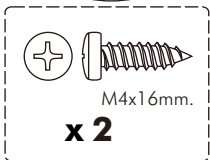
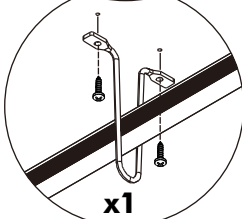
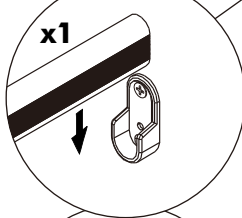
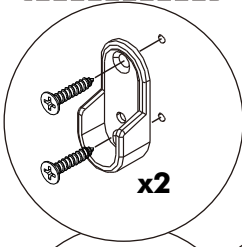
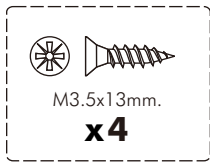
8.



9.



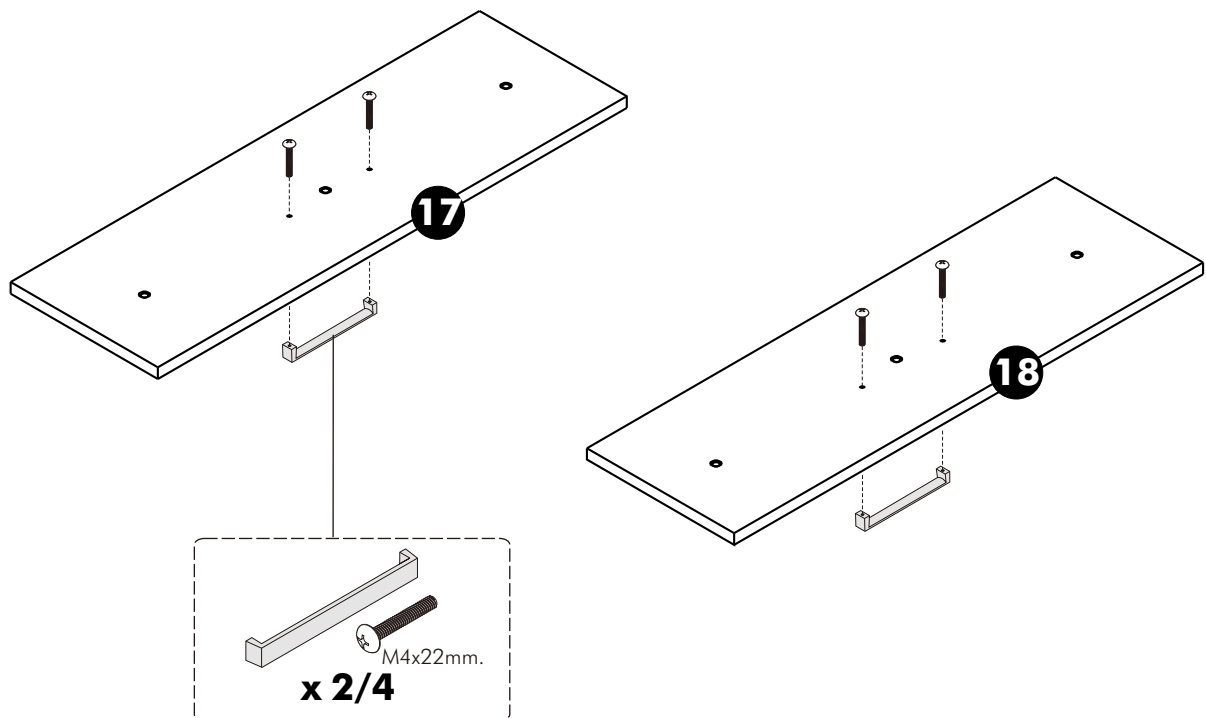
10.



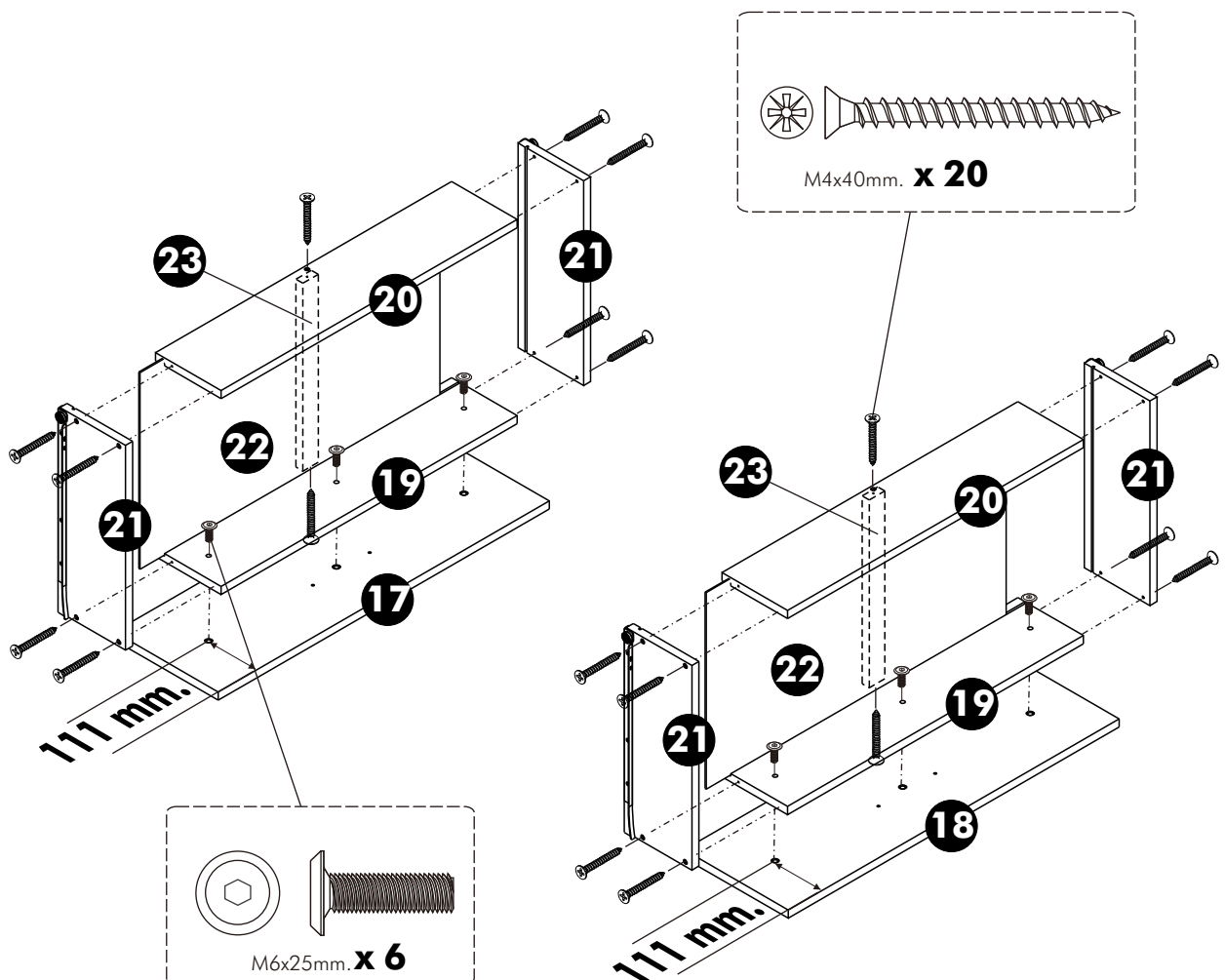
11.

ASSEMBLY

-DRAWER SET



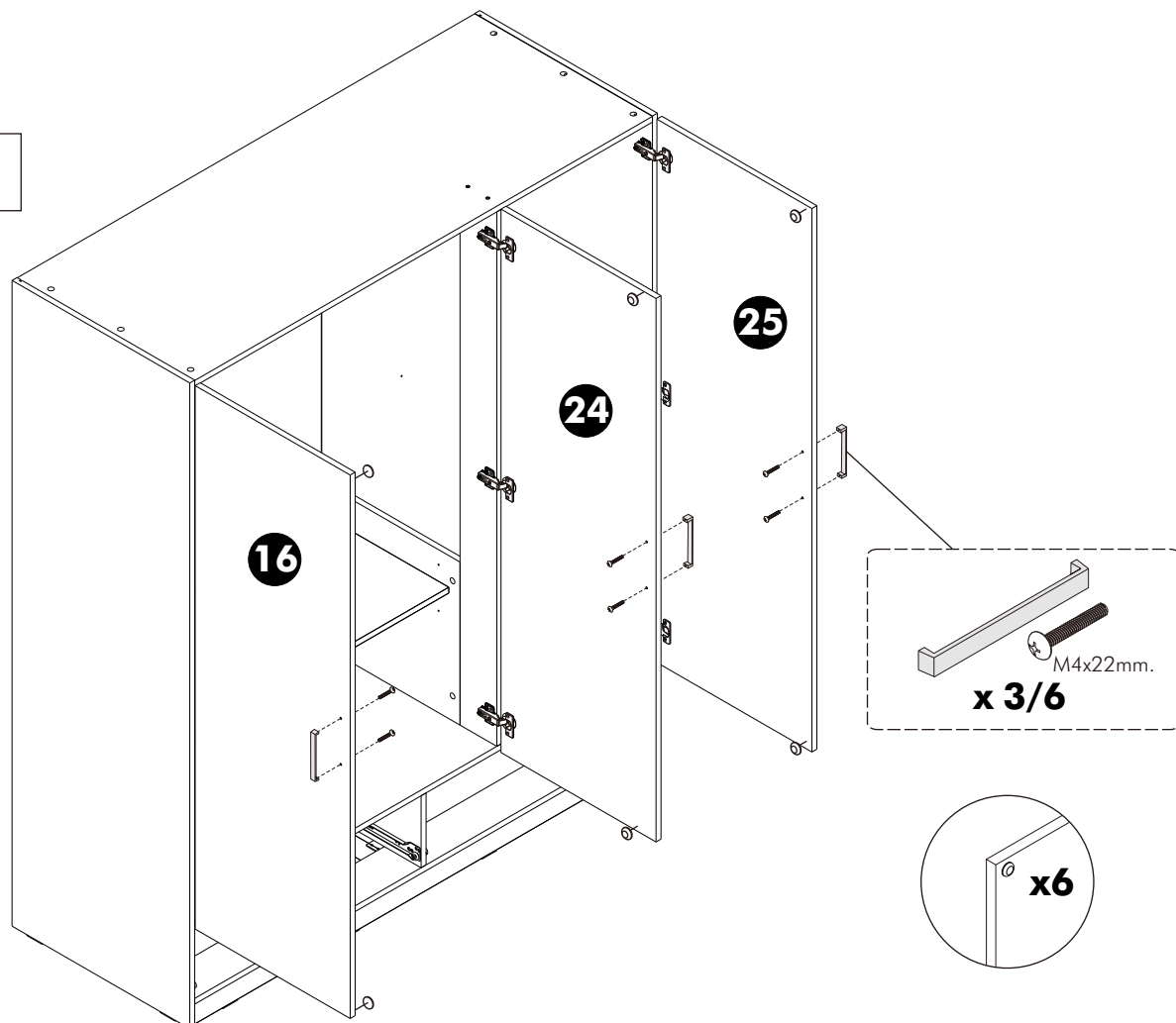
12.



13.

ASSEMBLY

-DOOR SET



14.

