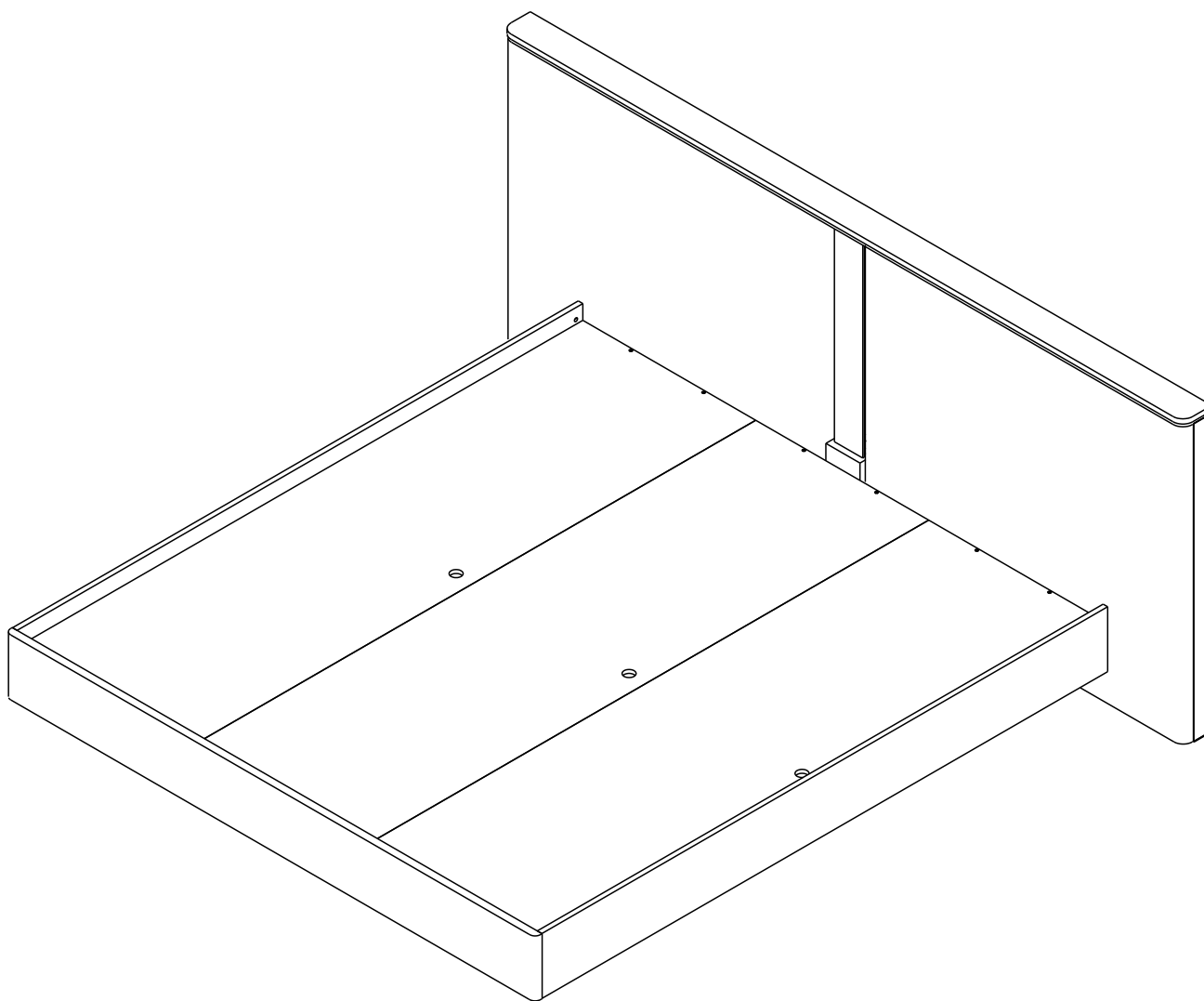


# GIO

**BED 6 ft.**



ในกรณีที่ใช้มือลูบผิวผลิตภัณฑ์แล้วพบเป็นเม็ดทราย  
ให้ใช้กระดาษ A4 ลูบไปในทิศทางเดียวกัน

# CONNECT SYSTEM

**1**

**3**

**2**

(Connecting bolts)

**WHEN FITTING CAMS**  
 ENSURE STARTING POSITION IS CORRECT  
 BEFORE YOU INSERT CONNECTING BOLT  
 TURN CLOCKWISE UNTIL SECURE

✓				✗
↑				
<b>CORRECT</b>		<b>WRONG</b>		

M4x16mm.

**i**

40mm.

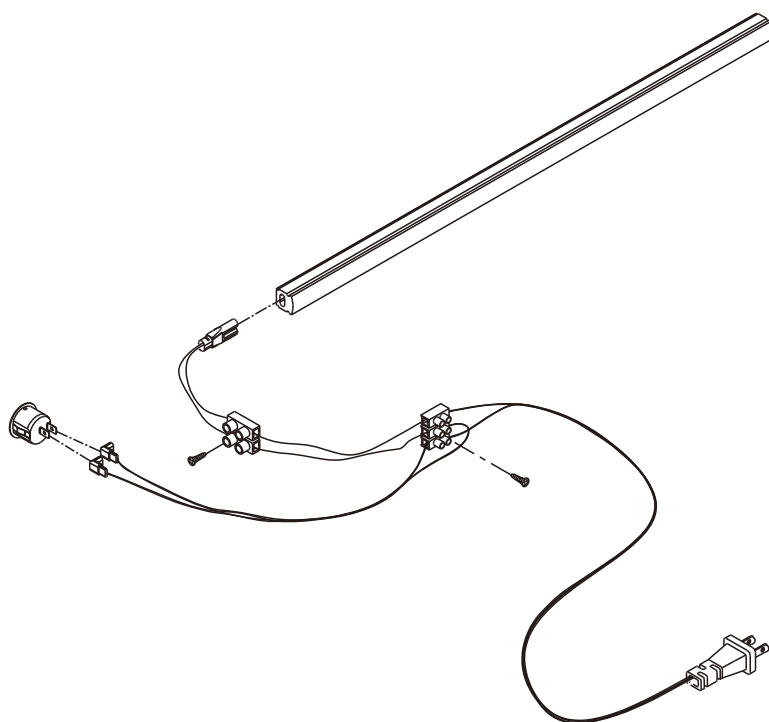
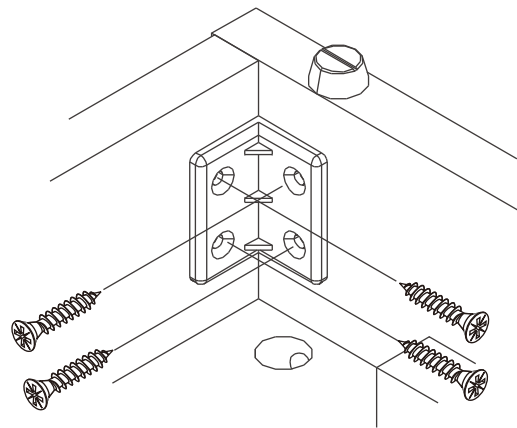
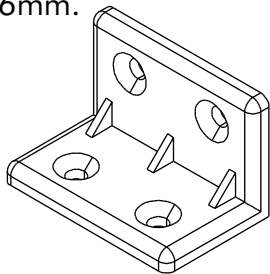
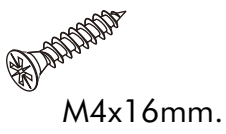
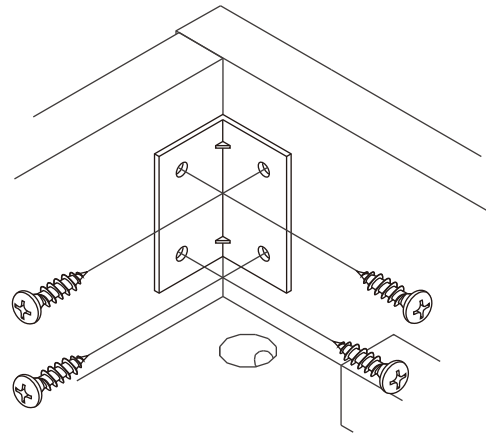
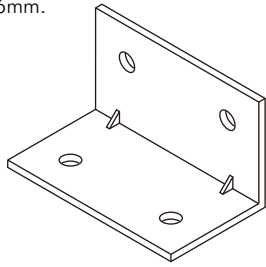
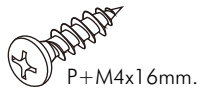
EQ

M6x45mm.

M6

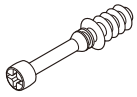
M6

M4x16mm.



# HARDWARE

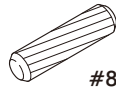
## -BODY SET



**x 4**



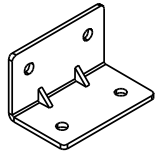
**x 4**



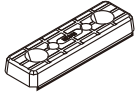
#8x35  
**x 8**



M4x16mm.  
**x 35**



**x 4**



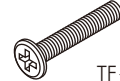
**x 4**



#M6  
**x 4**



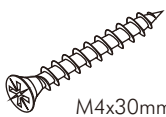
#M6  
**x 4**



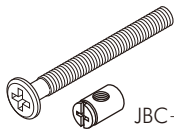
TF+M6x45  
**x 4**



M4x16mm.  
**x 8**



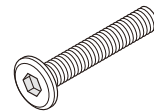
M4x30mm.  
**x 12**



JBC+M6x60  
**x 6**



No.1  
**x 3**



#TFL4 M8x50  
**x 4**



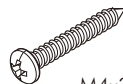
#M8  
**x 4**



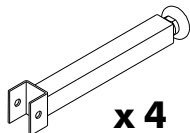
#M8  
**x 4**



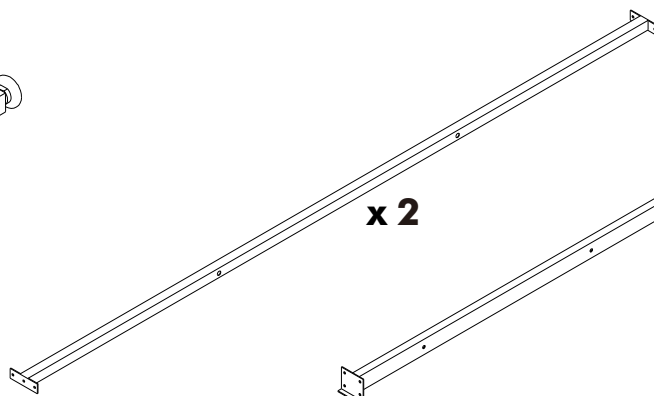
M4x16mm.  
**x 35**



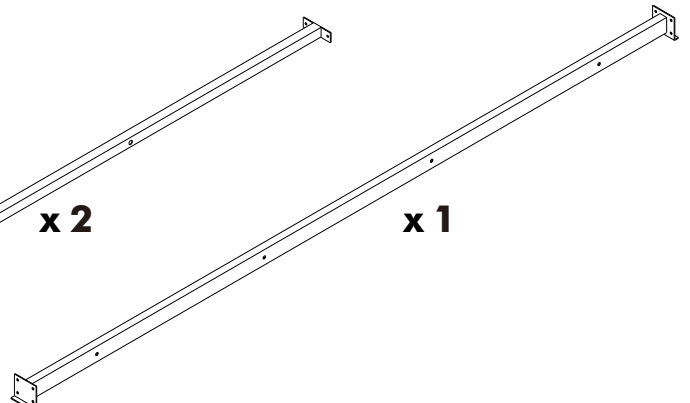
M4x30mm.  
**x 36**



**x 4**

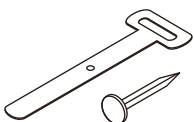


**x 2**



**x 1**

## -LAMP SET



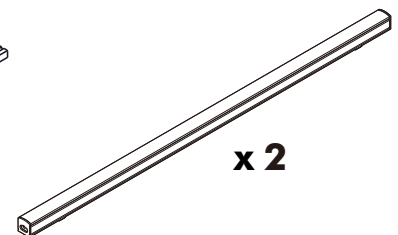
**x 15/15**



5x3/4" mm.  
**x 2**



**x 1**



**x 2**

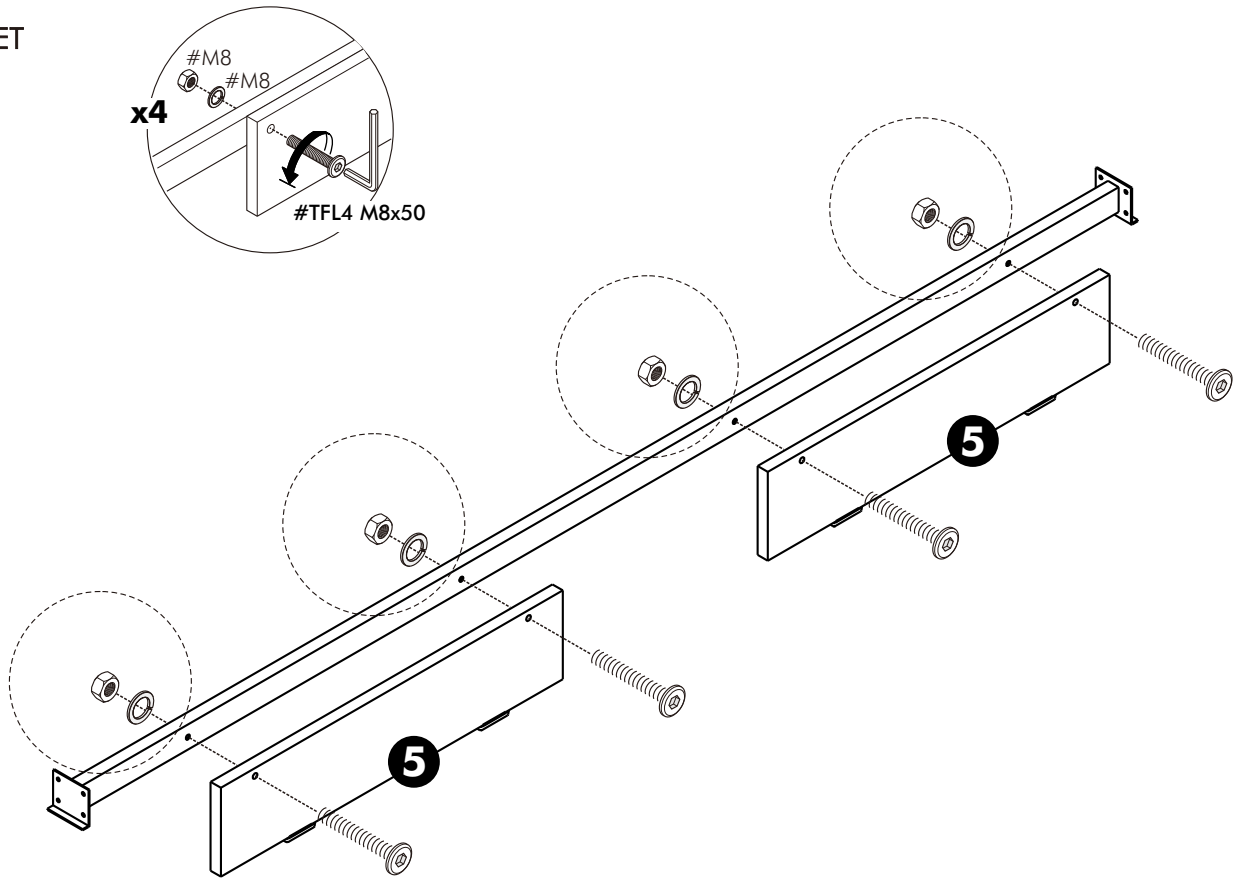


**x 1**

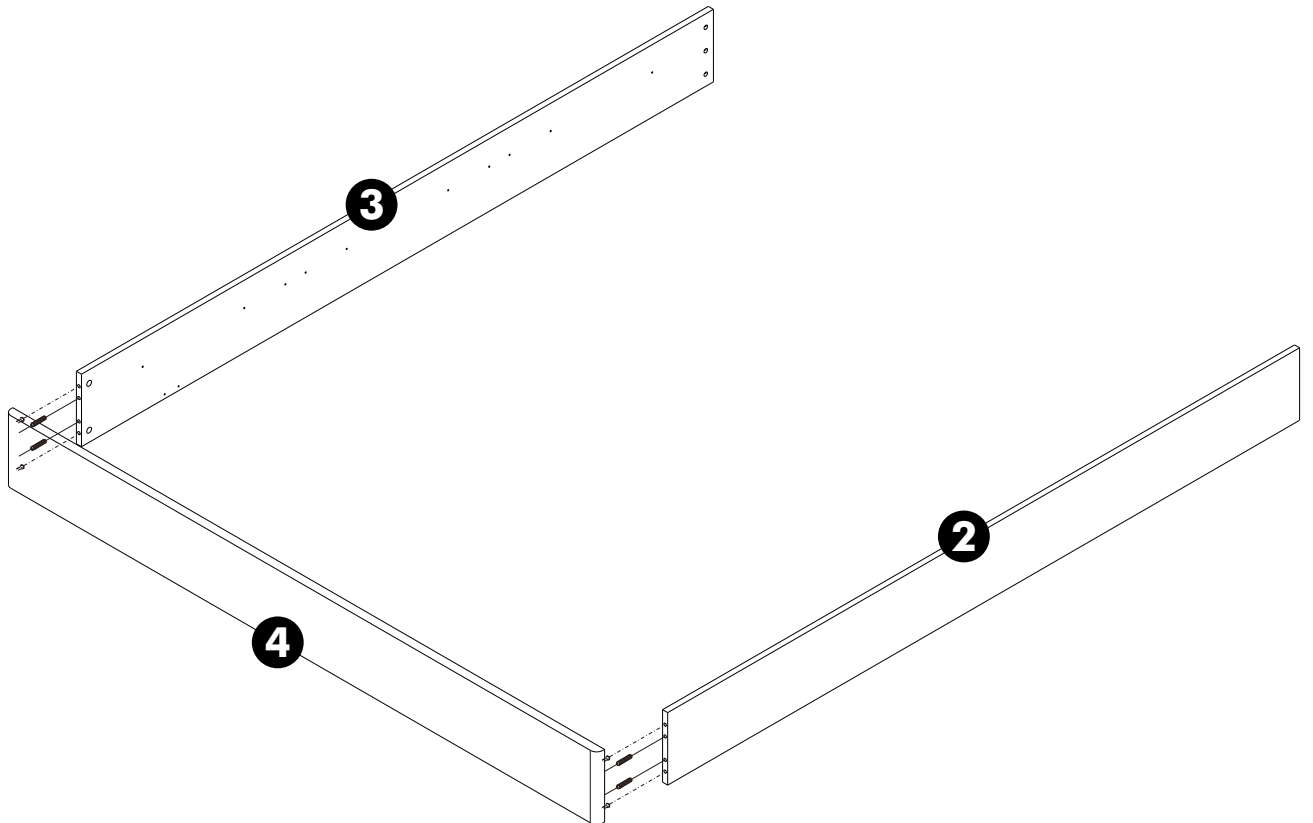
# ASSEMBLY

-BODY SET

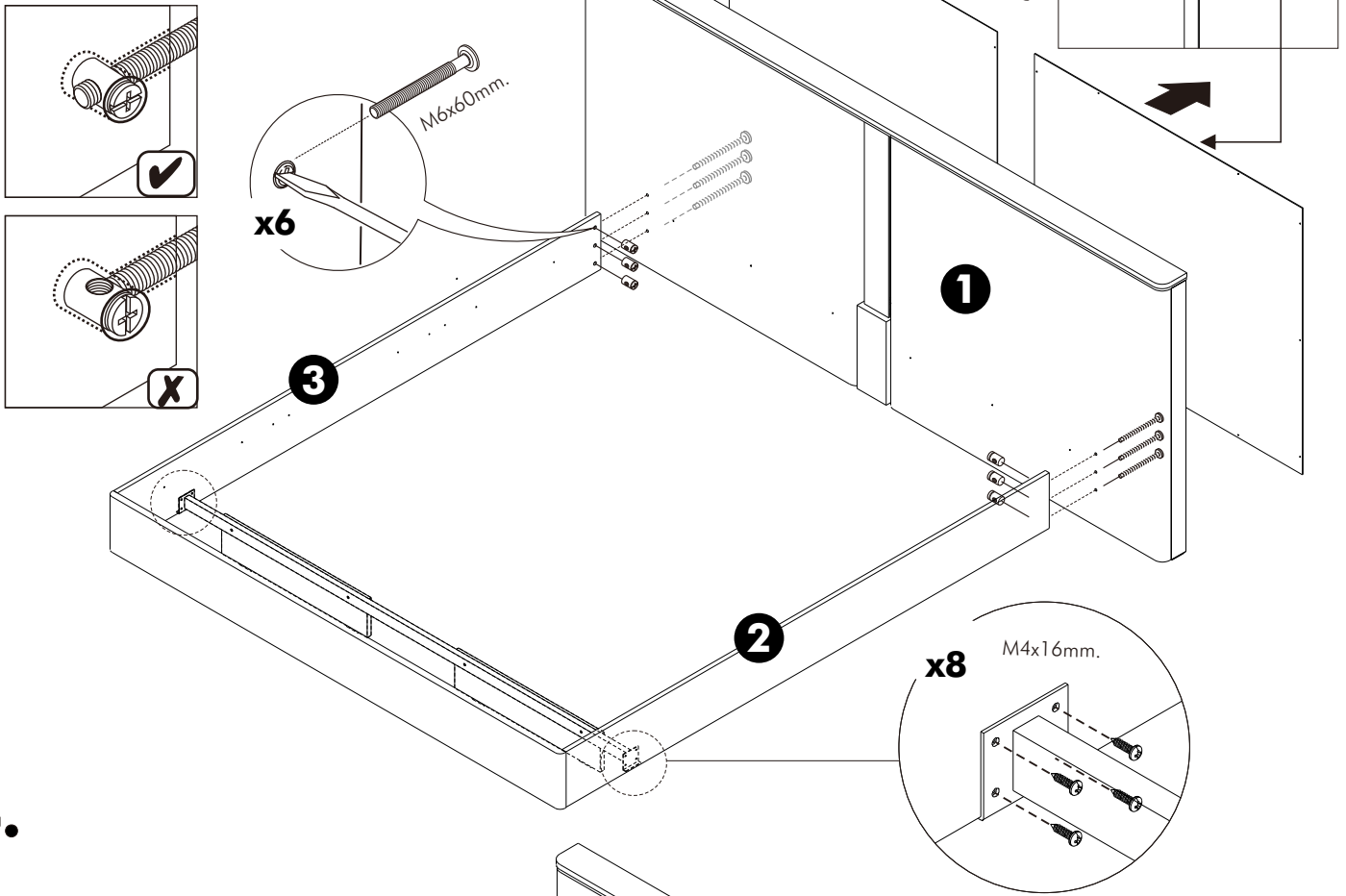
1.



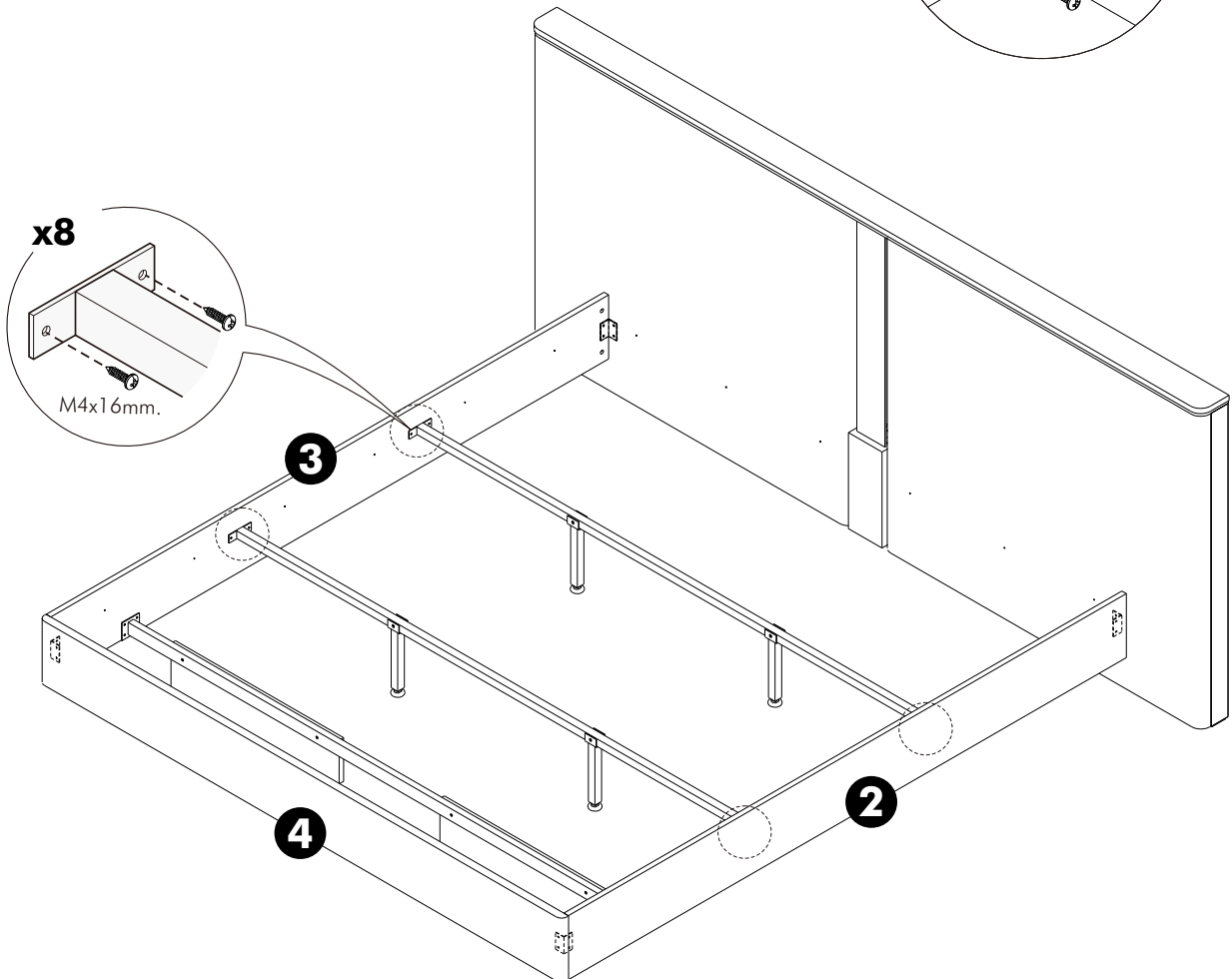
2.



**3.**



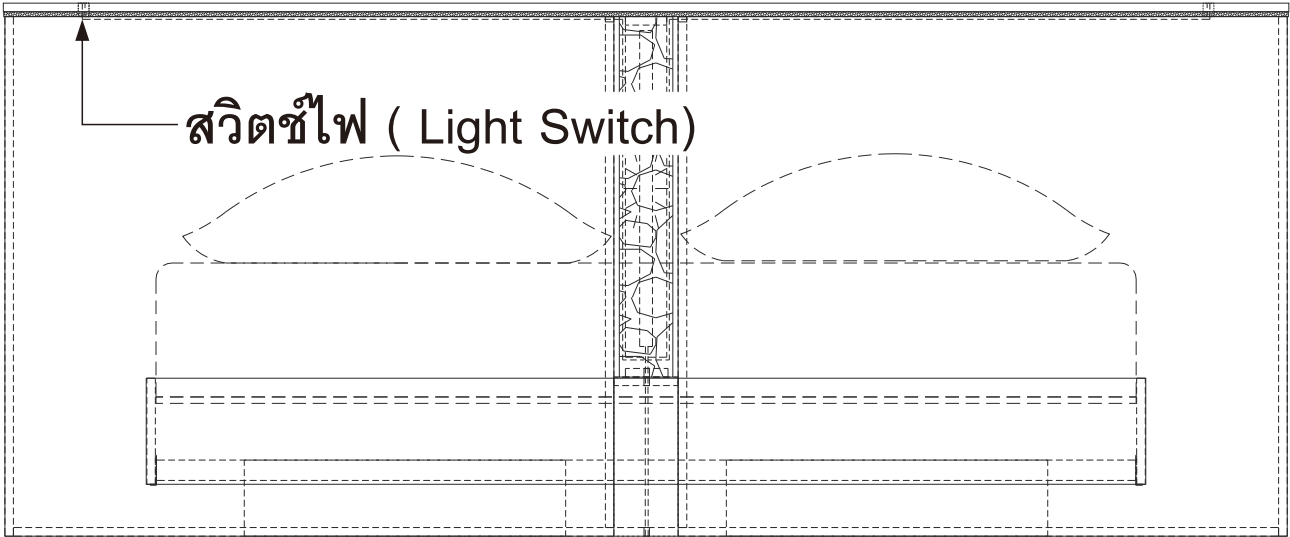
**4.**



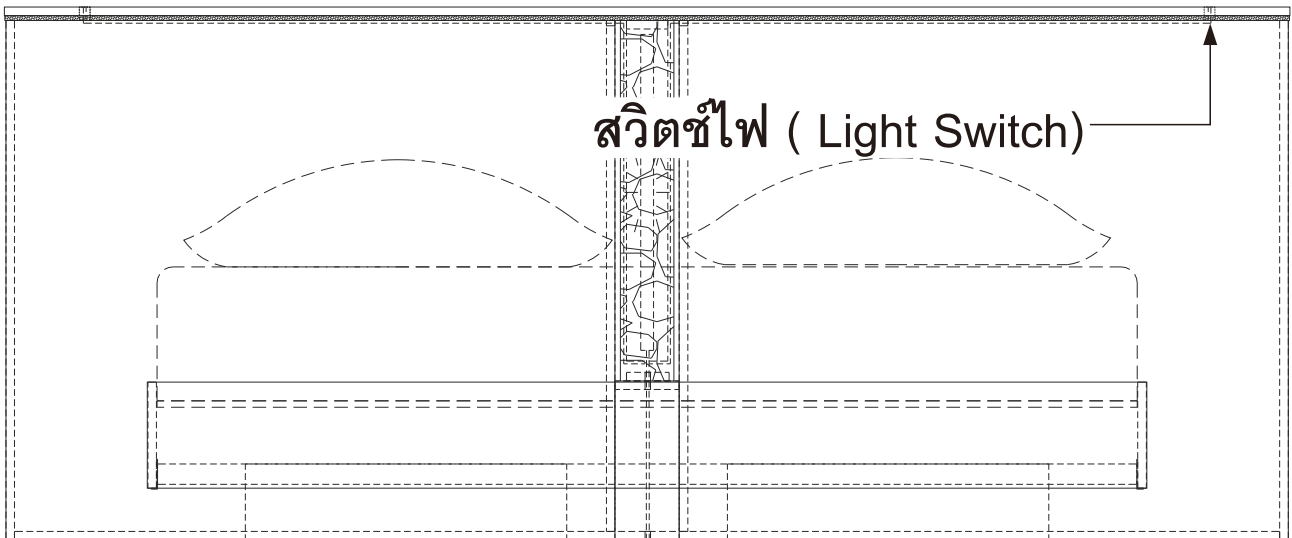
5.



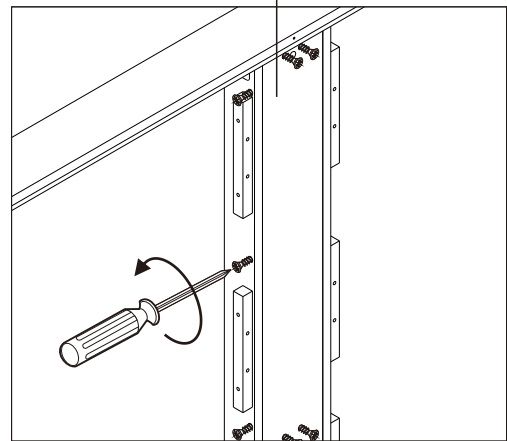
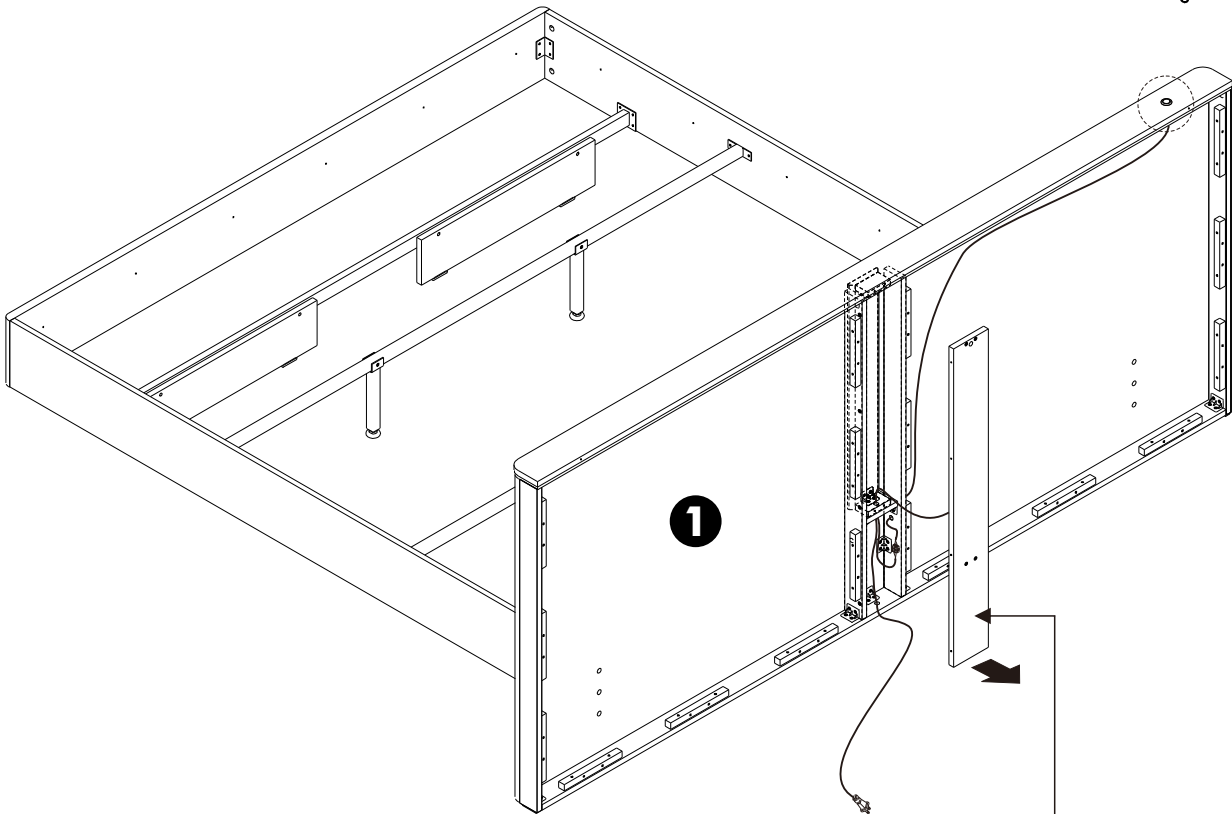
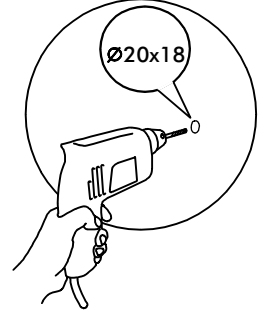
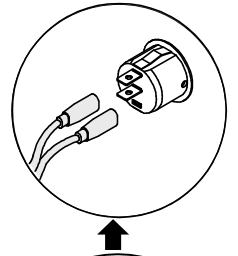
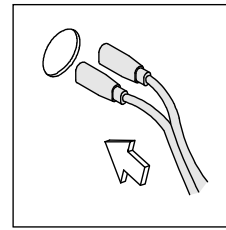
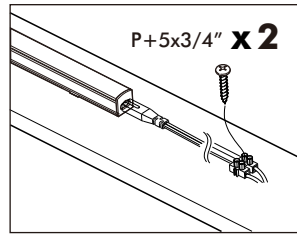
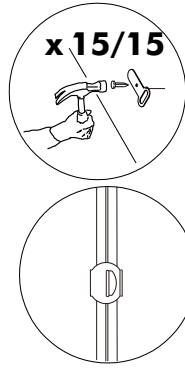
LEFT



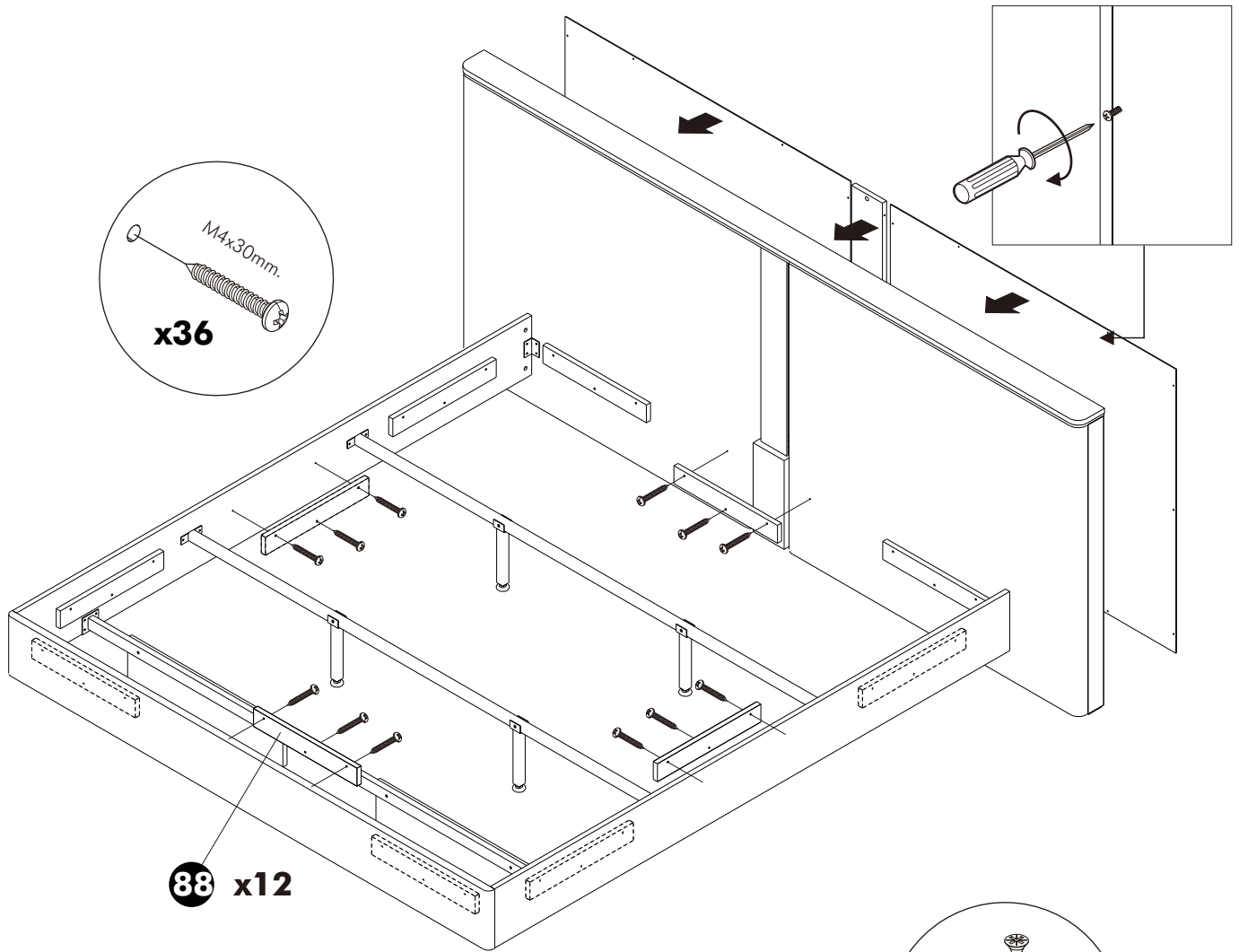
RIGHT



6.



**7.**



**8.**

