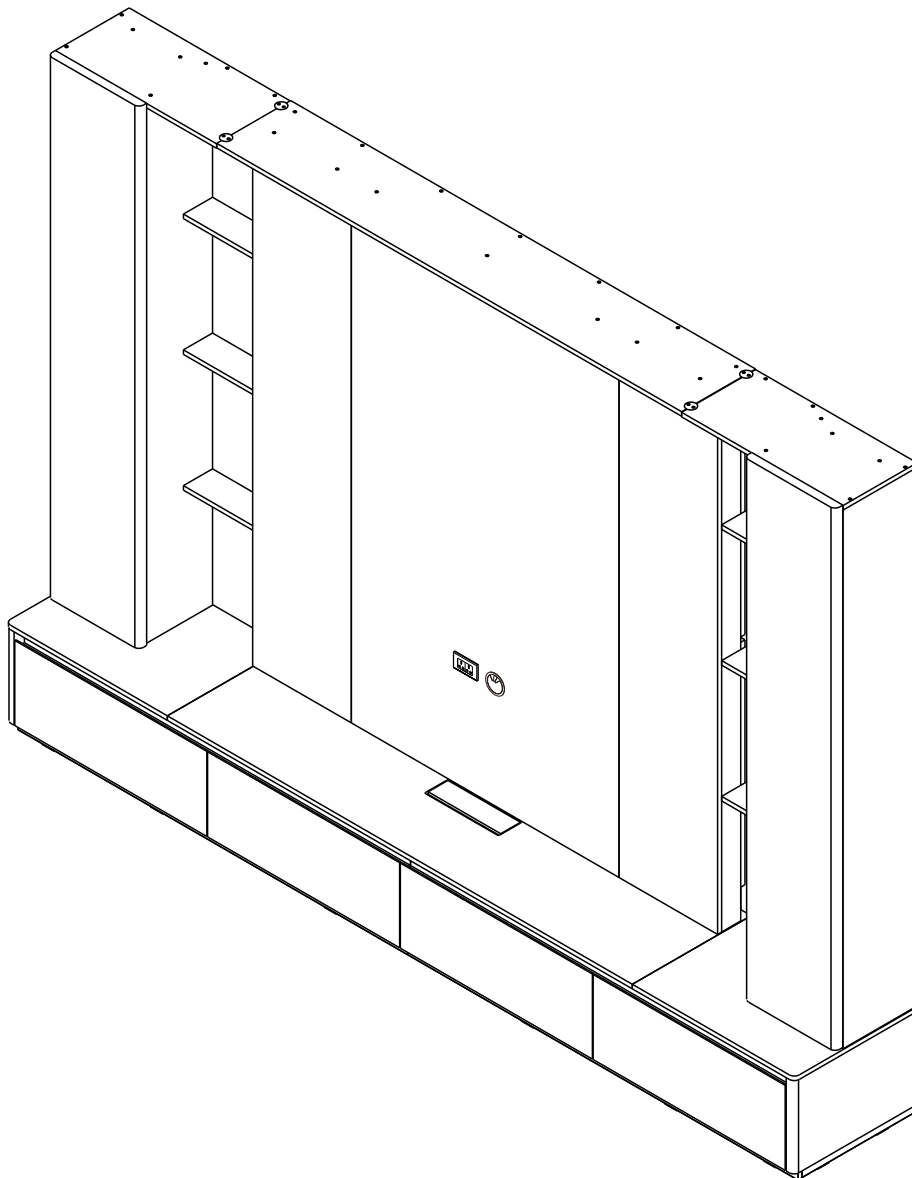


# VELO

Home entertainment 3.2M.



# CONNECT SYSTEM

**1**

**2**

(Connecting bolts)

**3**

**WHEN FITTING CAMS**  
ENSURE STARTING POSITION IS CORRECT  
BEFORE YOU INSERT CONNECTING BOLT  
TURN CLOCKWISE UNTIL SECURE

 <b>↑</b> <b>CORRECT</b>	 <b>WRONG</b>	 <b>WRONG</b>	 <b>WRONG</b>	
--------------------------------	------------------	------------------	------------------	--

M4x16mm.

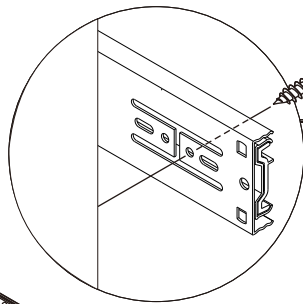
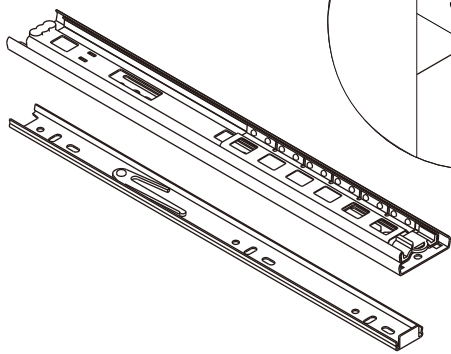
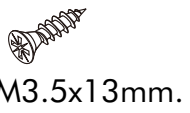
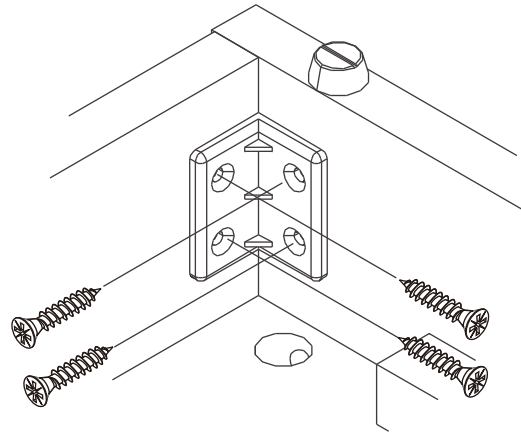
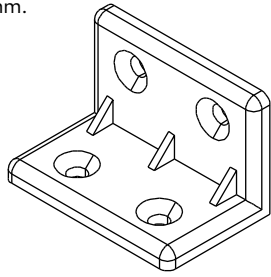
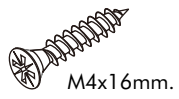
**i**

40mm.

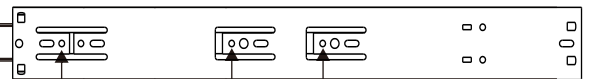
EQ

M4x16mm.

**DOOR PANEL**



**1**



Use these holes

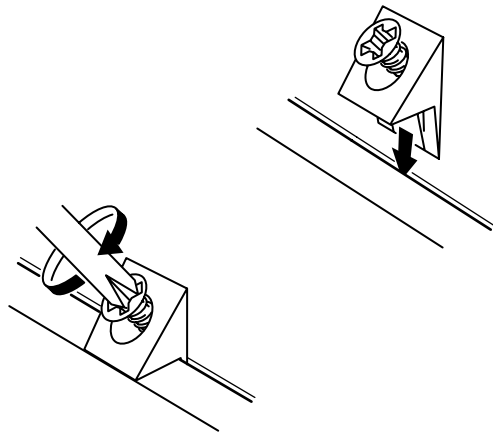
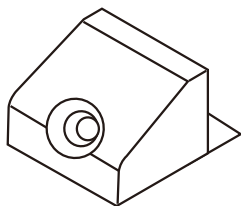
**2**



Use these holes

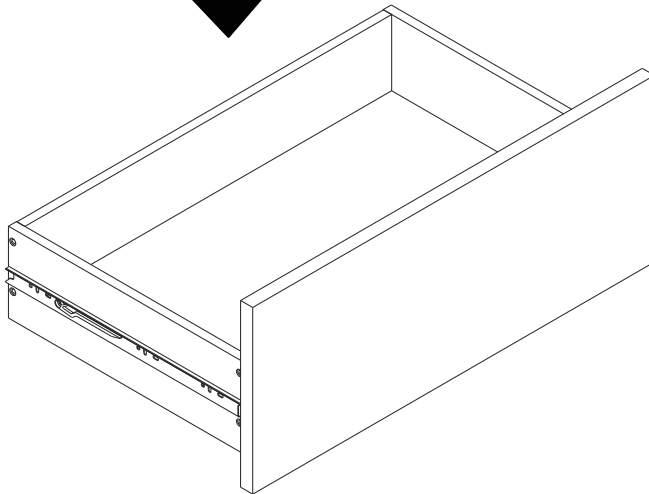
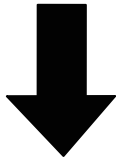
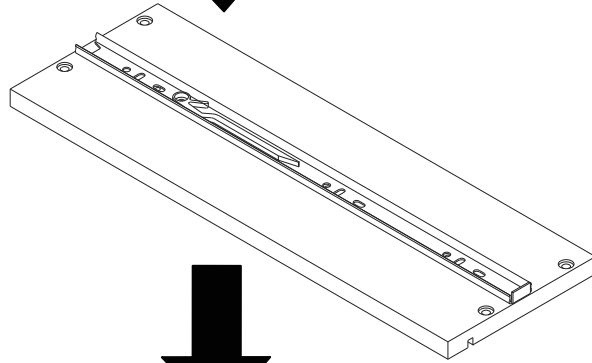
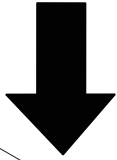
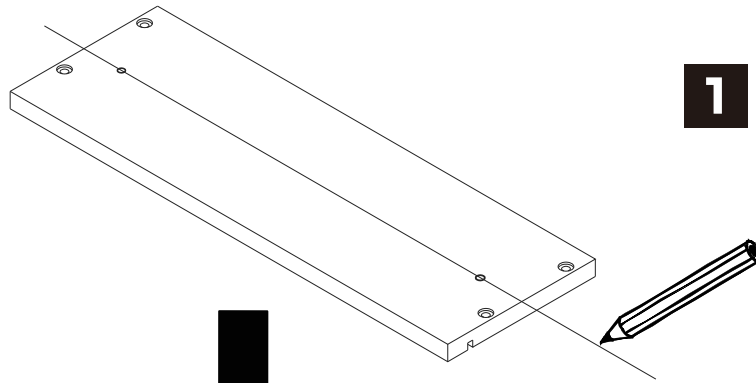


M3.5x20mm.



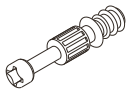






# HARDWARE

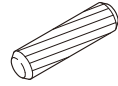
## -BODY SET



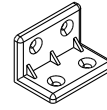
**x 24**



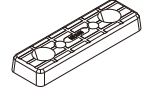
**x 24**



**x 170**



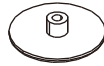
**x 110**



**x 22**



**x 12**



(NATURAL)

**x 12**

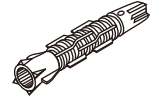


(GREY)

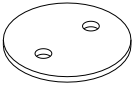
**x 12**



**x 1**



**x 22**



**x 18**



#M5

**x 8**



M4x16mm.

**x 508**



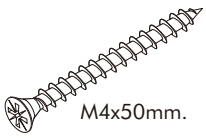
M4x25mm.

**x 12**



M4x30mm.

**x 18**



M4x50mm.

**x 95**



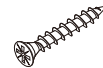
M4x20mm.

**x 8**



M5x70mm.

**x 22**



M3.5x20mm.

**x 12**



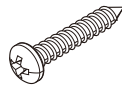
6x3/8"mm.

**x 12**



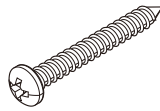
M4x16mm.

**x 24**



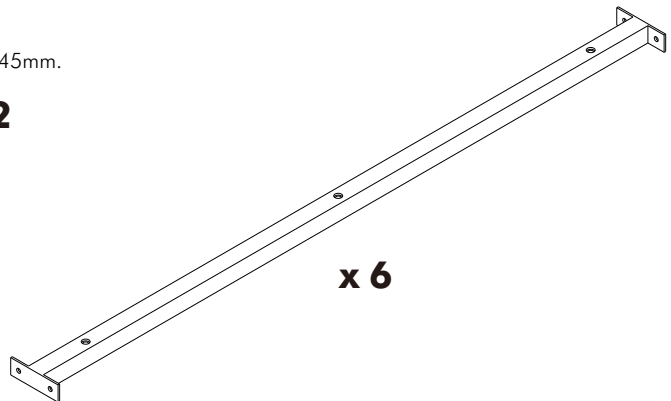
M4x20mm.

**x 8**



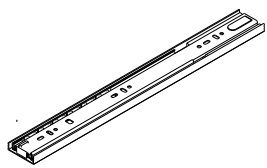
M4x45mm.

**x 2**



**x 6**

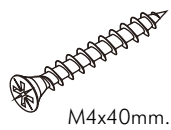
-DRAWER SET



**x 4**



**x 24**

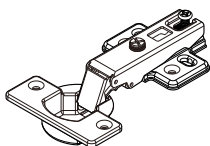


**x 40**



**x 12**

-DOOR SET



**x 8**

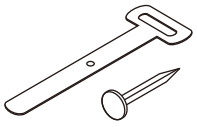


**x 48**



**x 12**

**-LAMP SET**



**x 20/20**



5x3/4"mm.

**x 3**



**x 1**

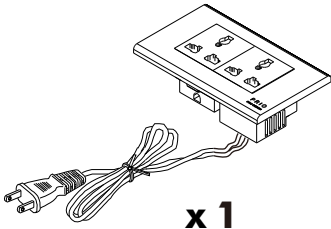


**x 1**

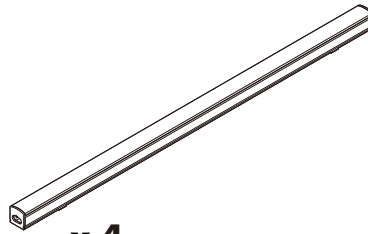


M4x16mm.

**x 4**



**x 1**

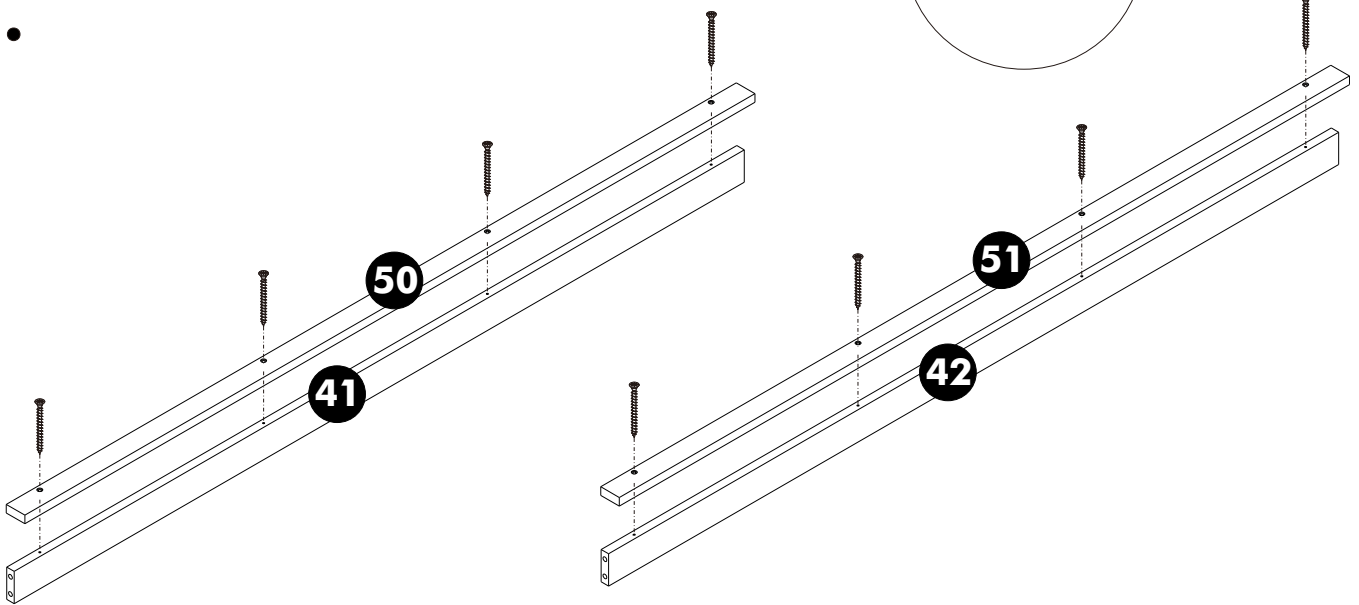


**x 4**

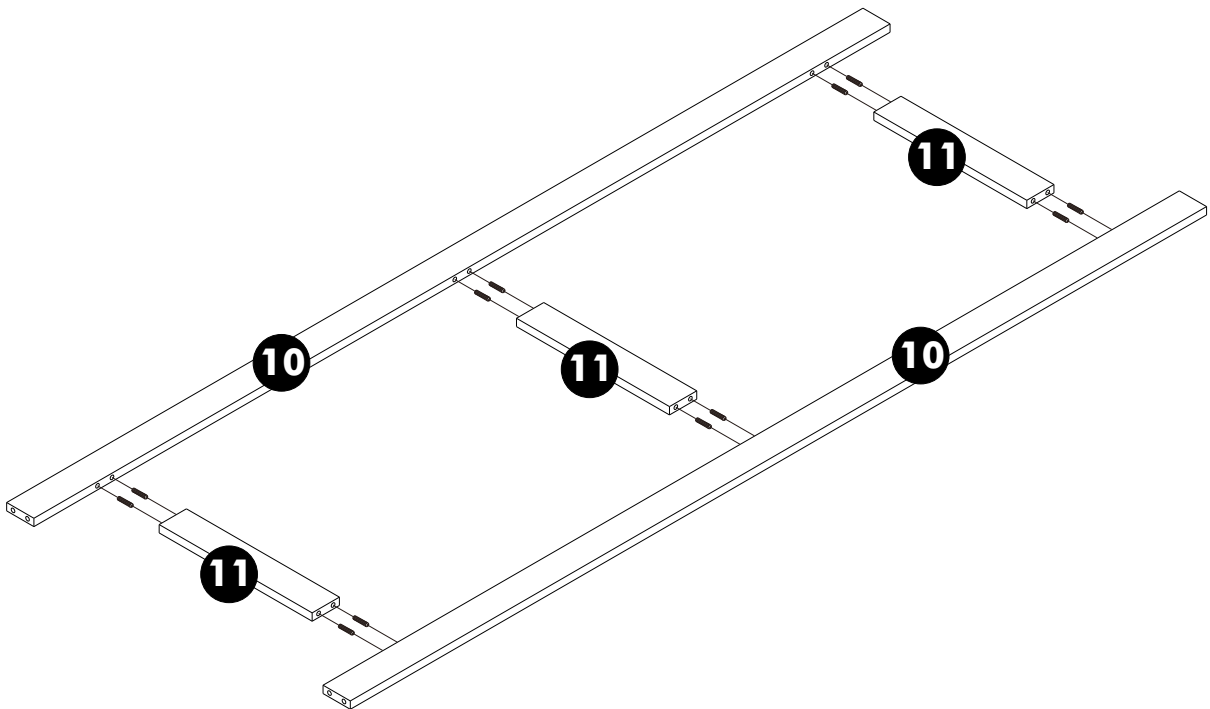
# ASSEMBLY

-BODY SET

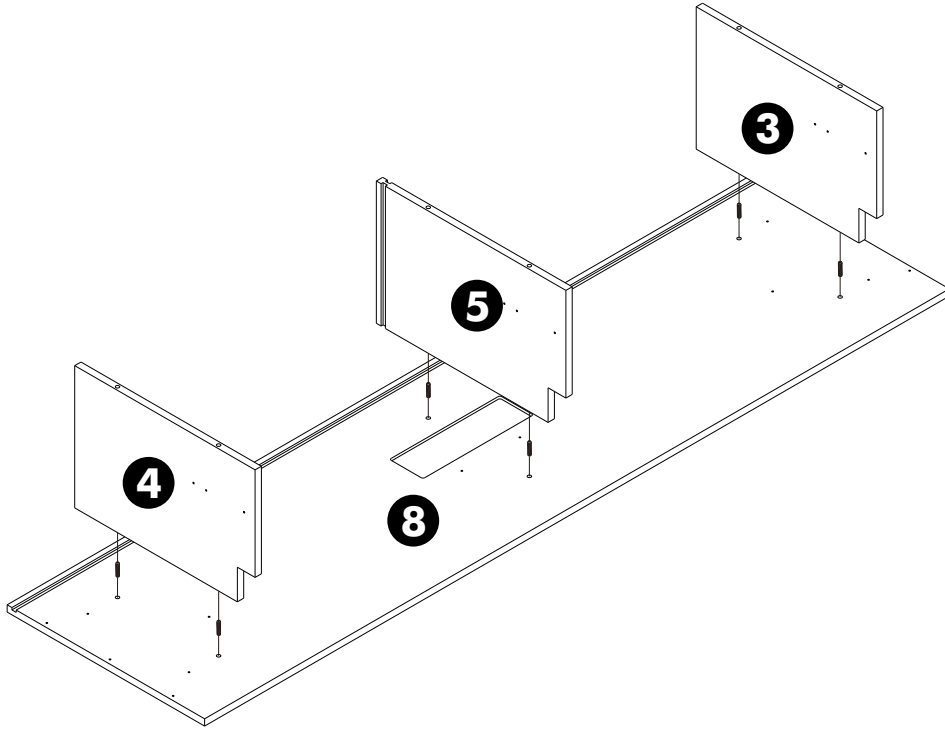
**1.**



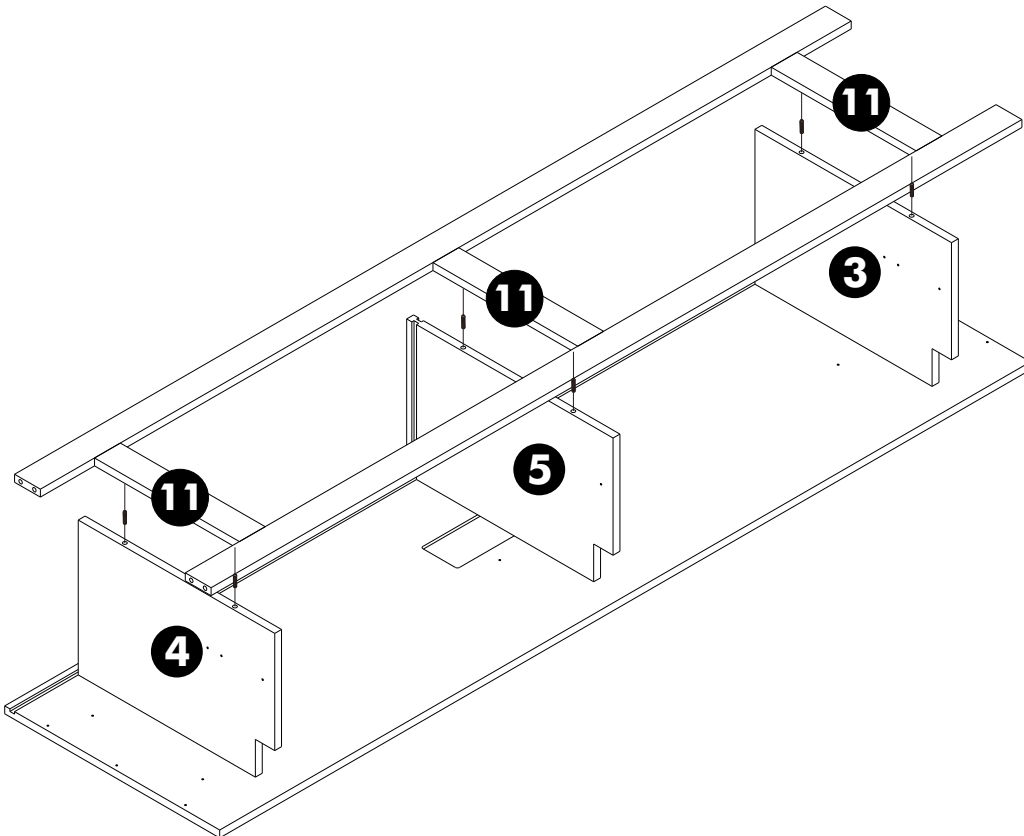
**2.**



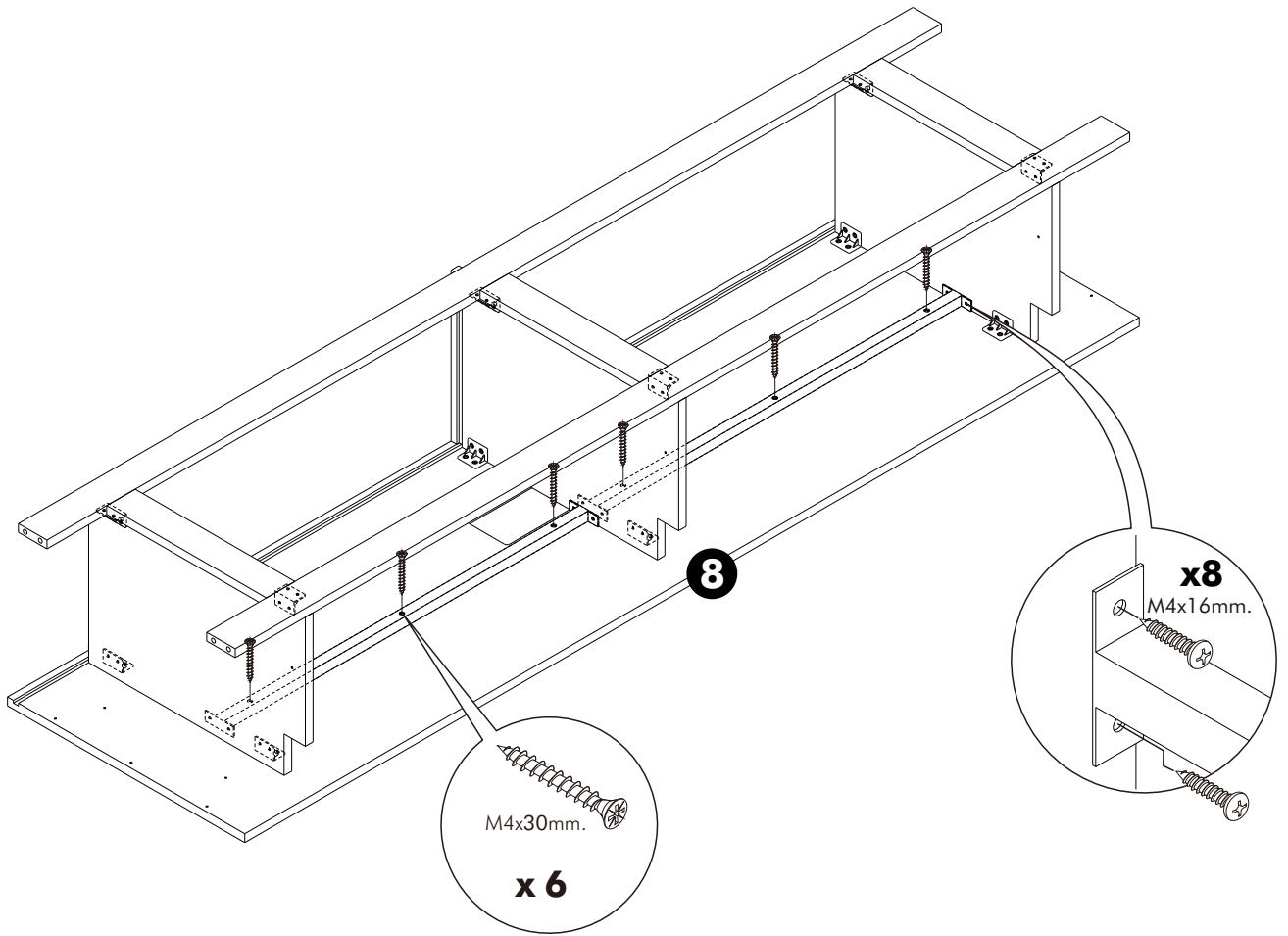
**3.**



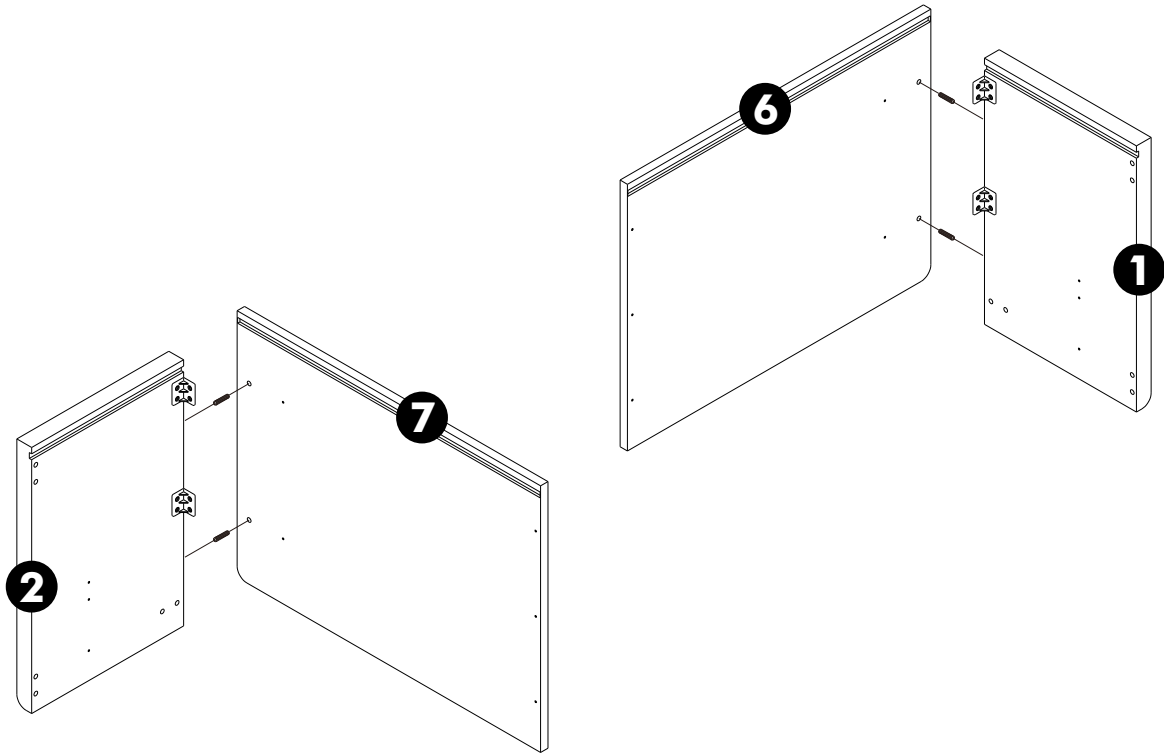
**4.**



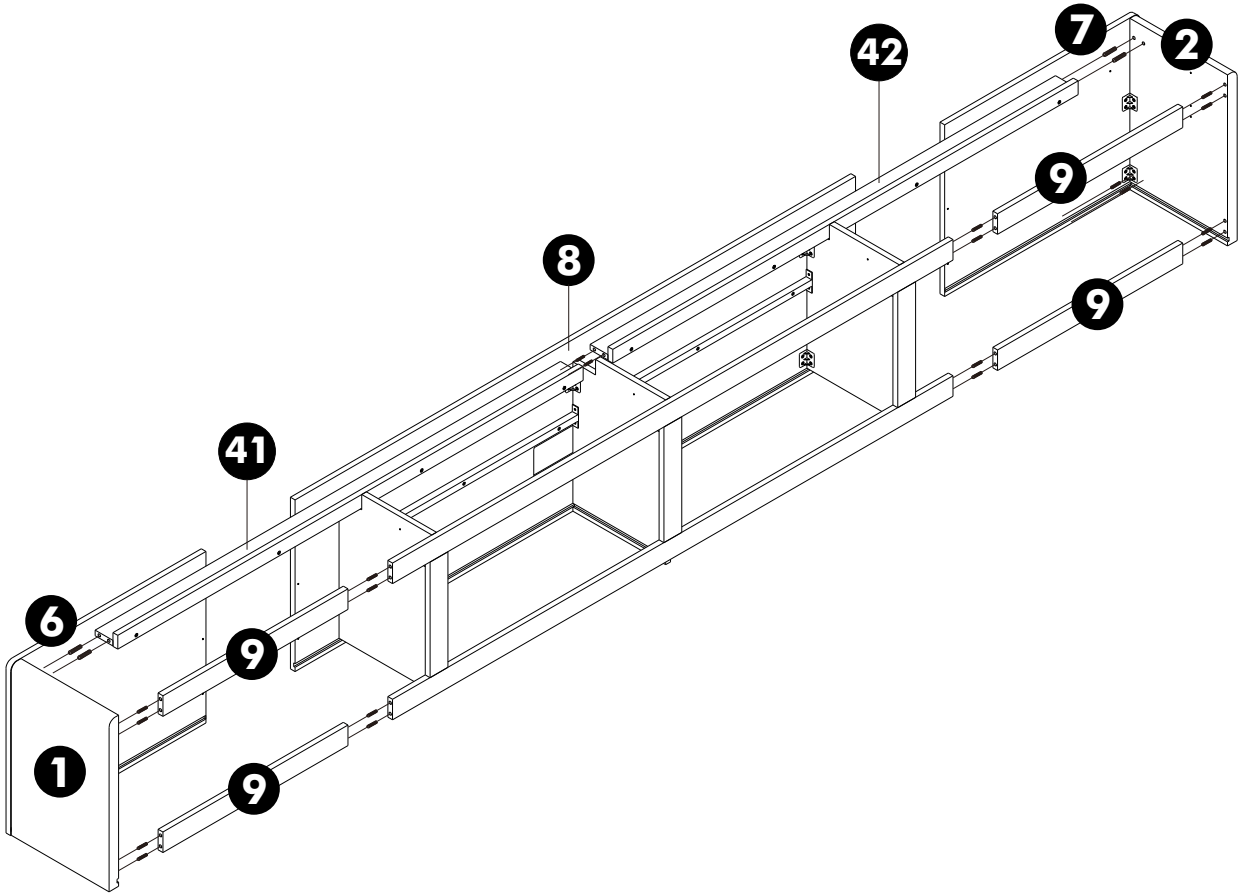
**5.**



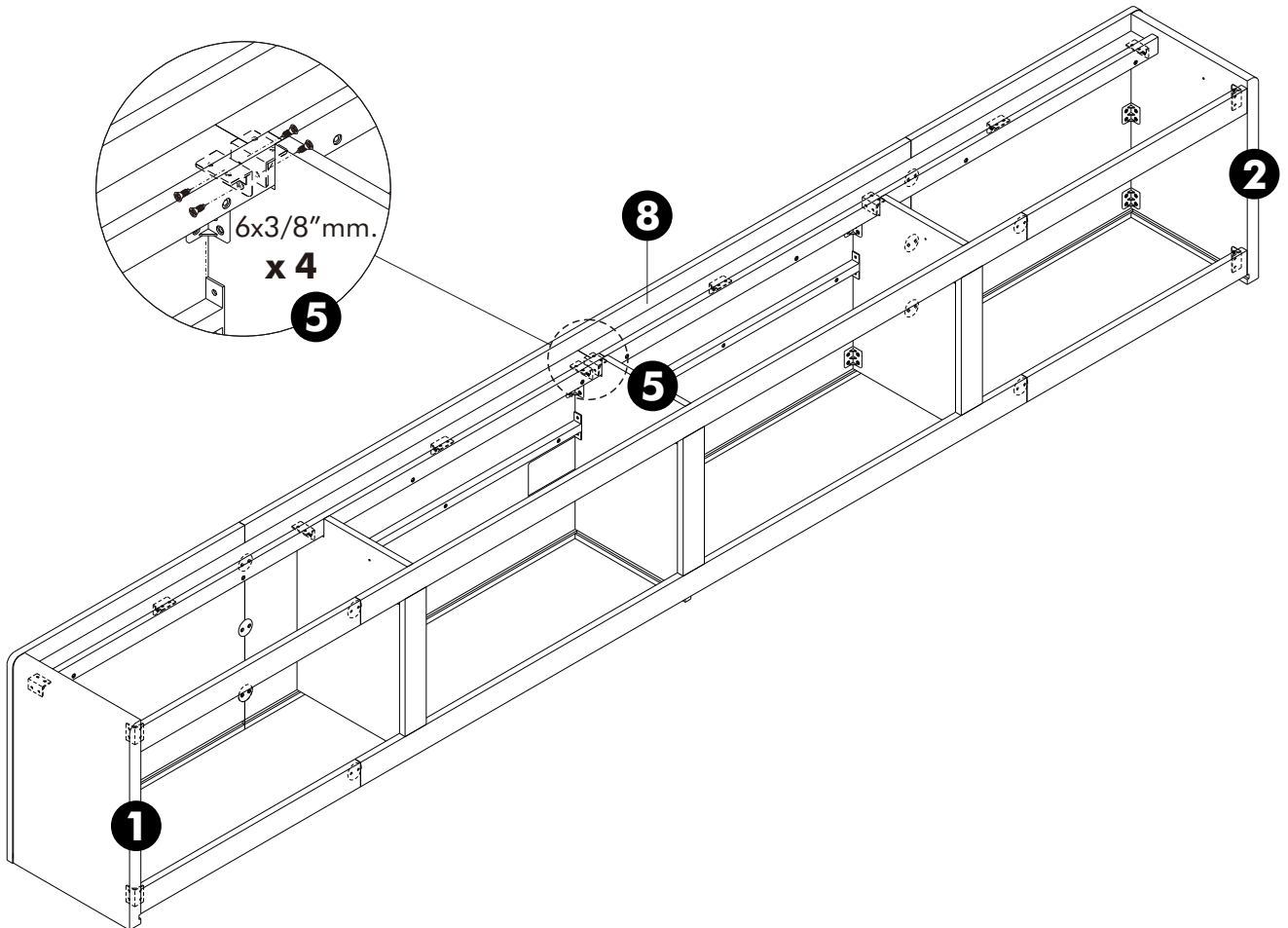
**6.**



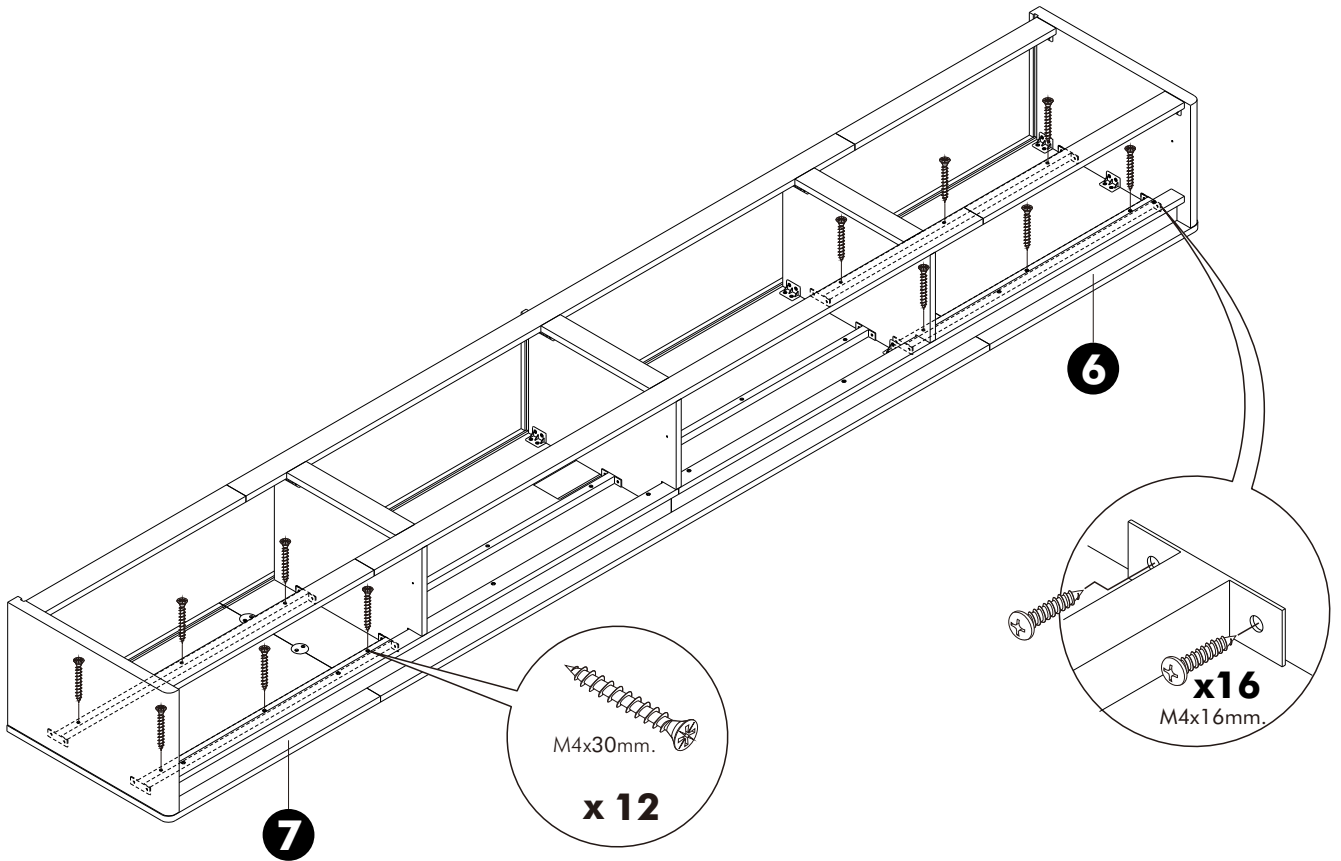
**7.**



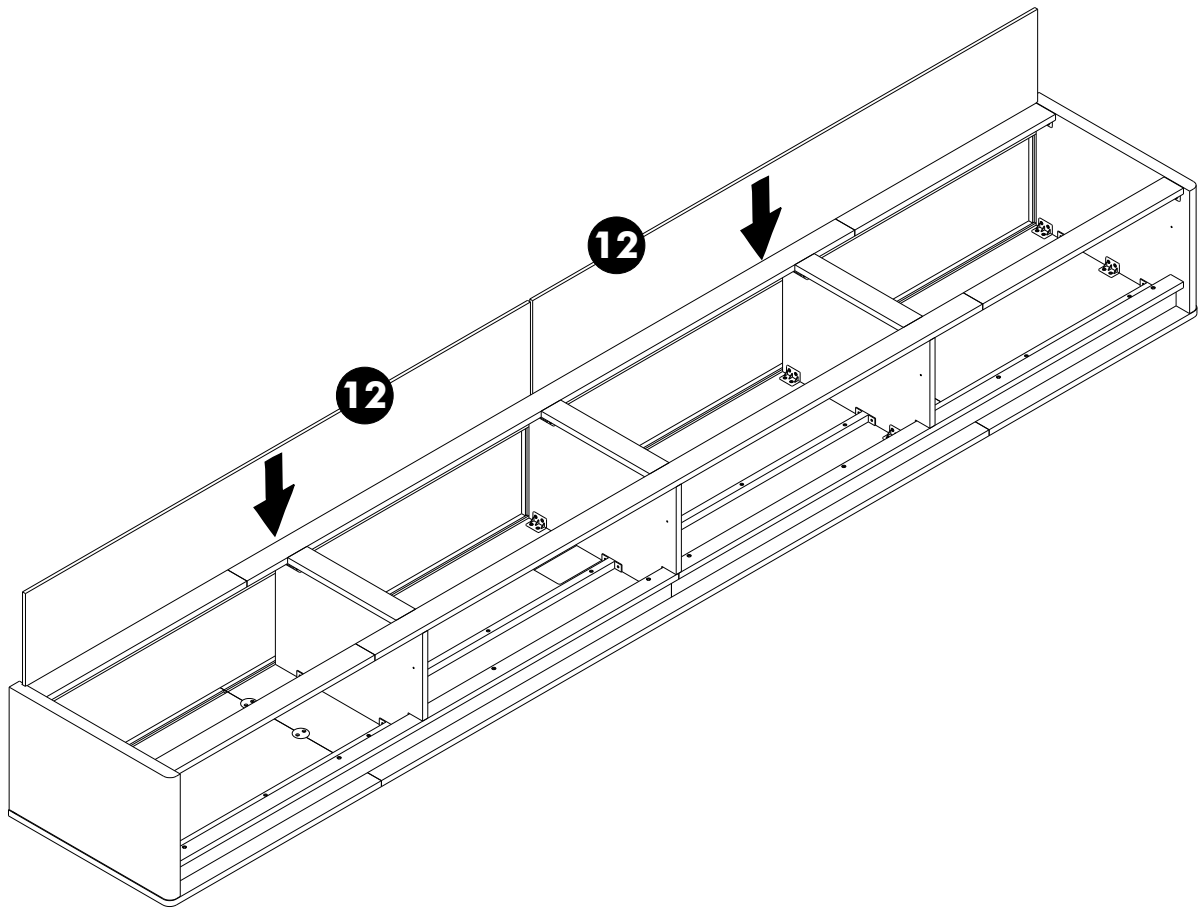
**8.**



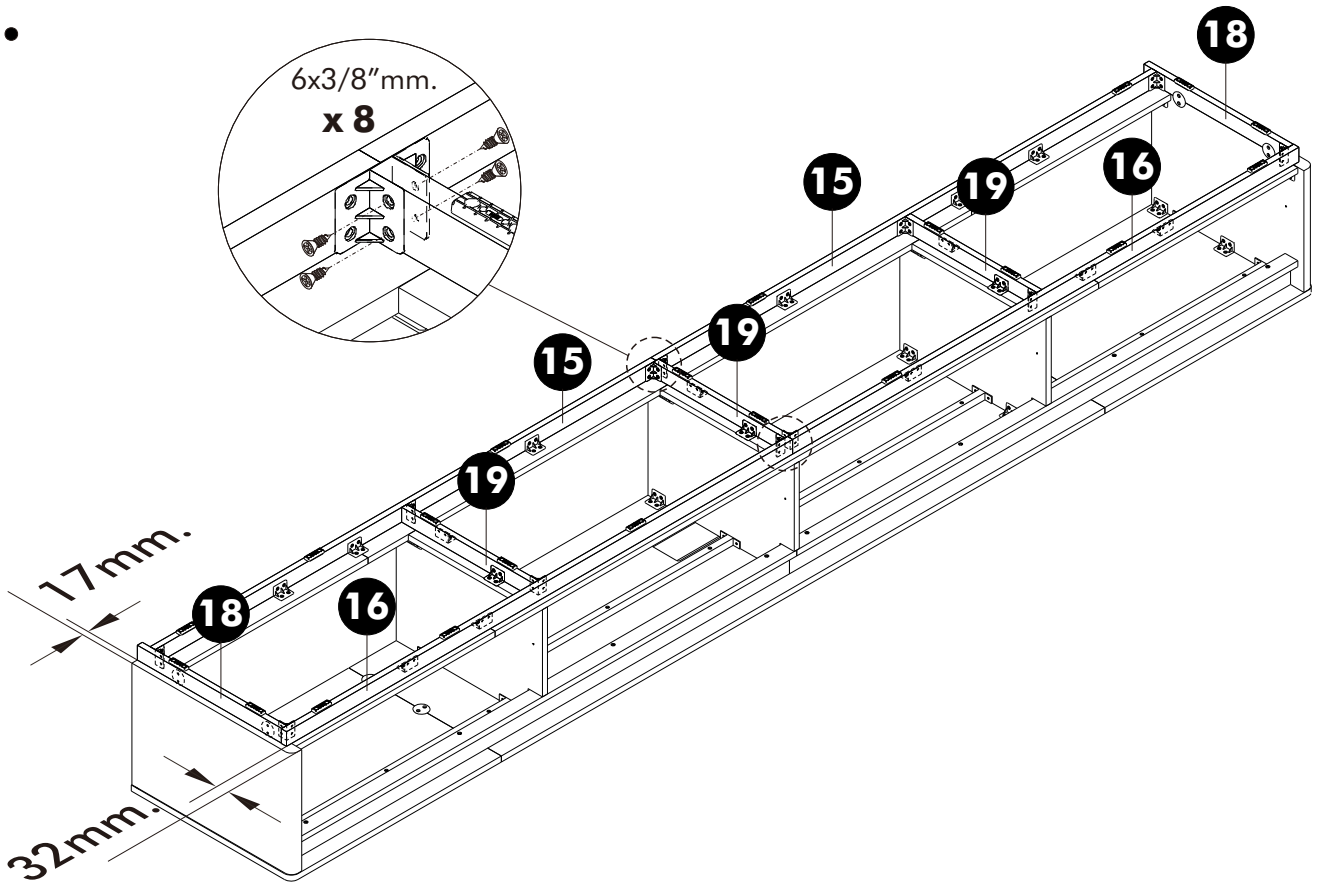
9.



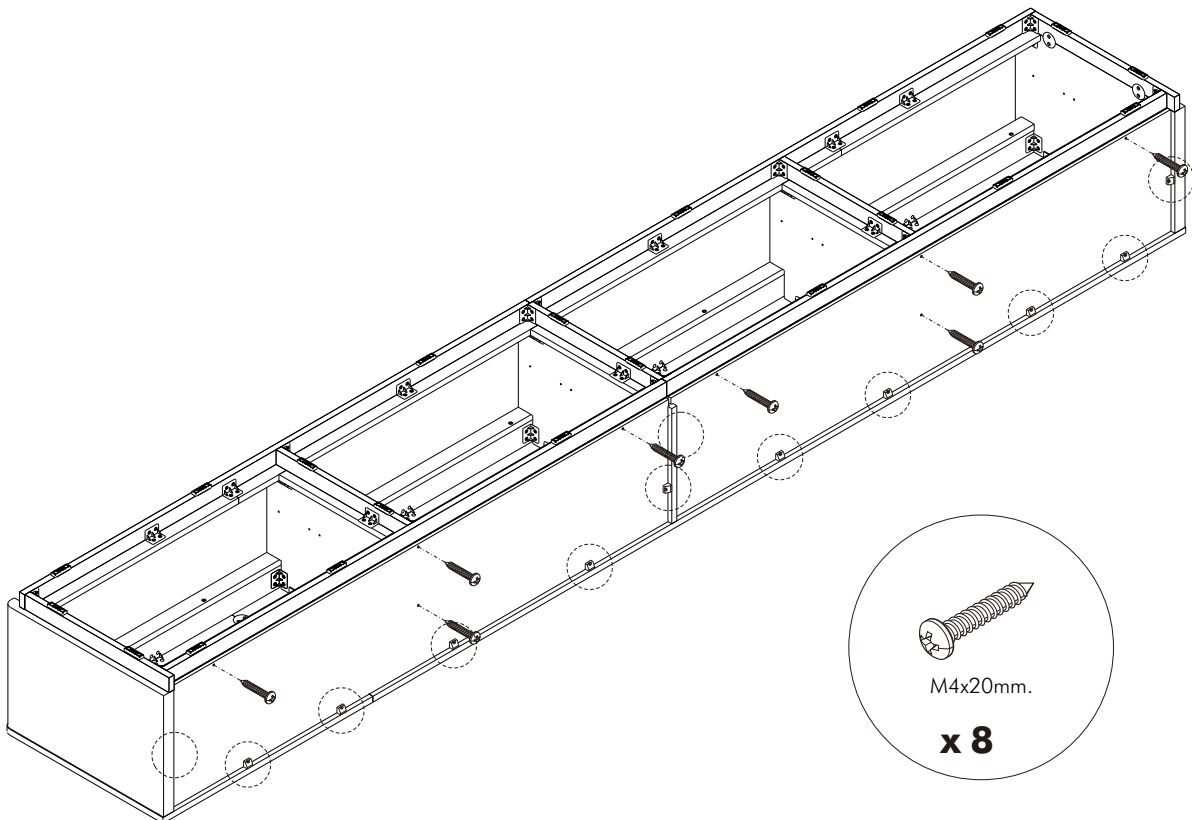
10.



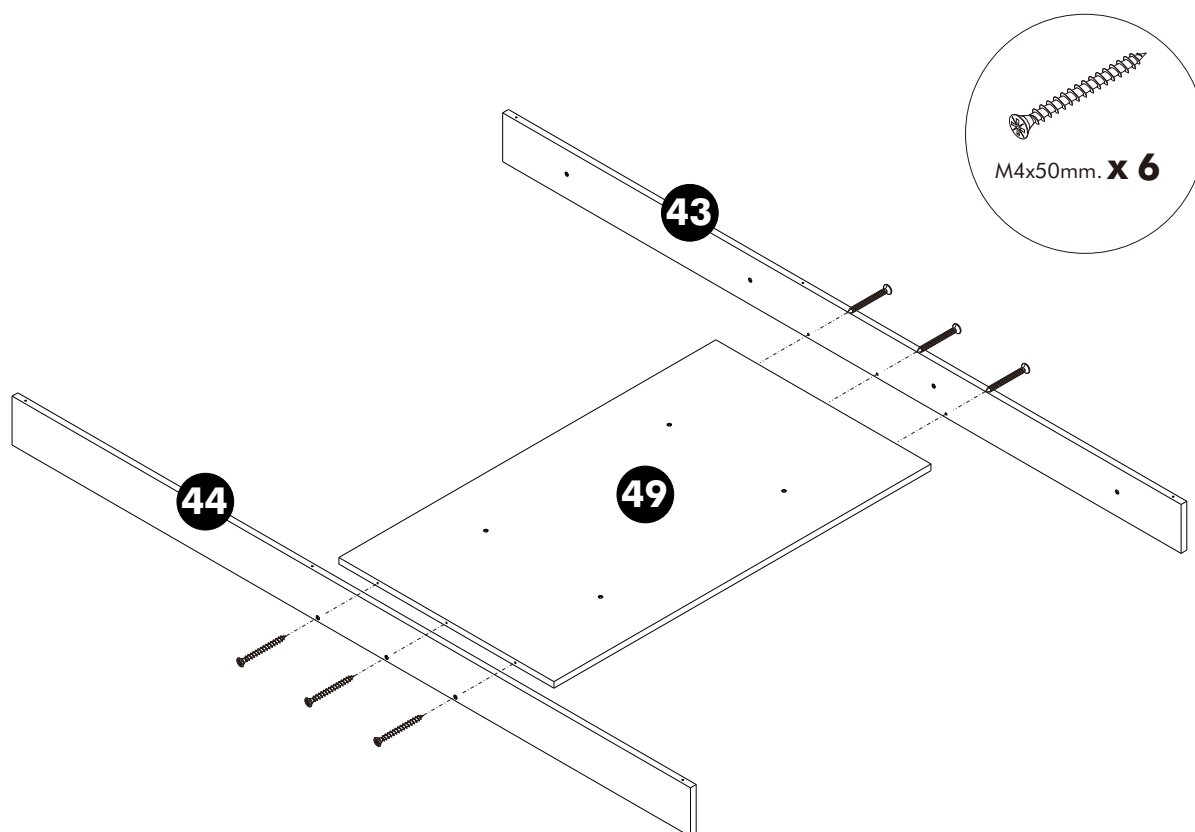
**11.**



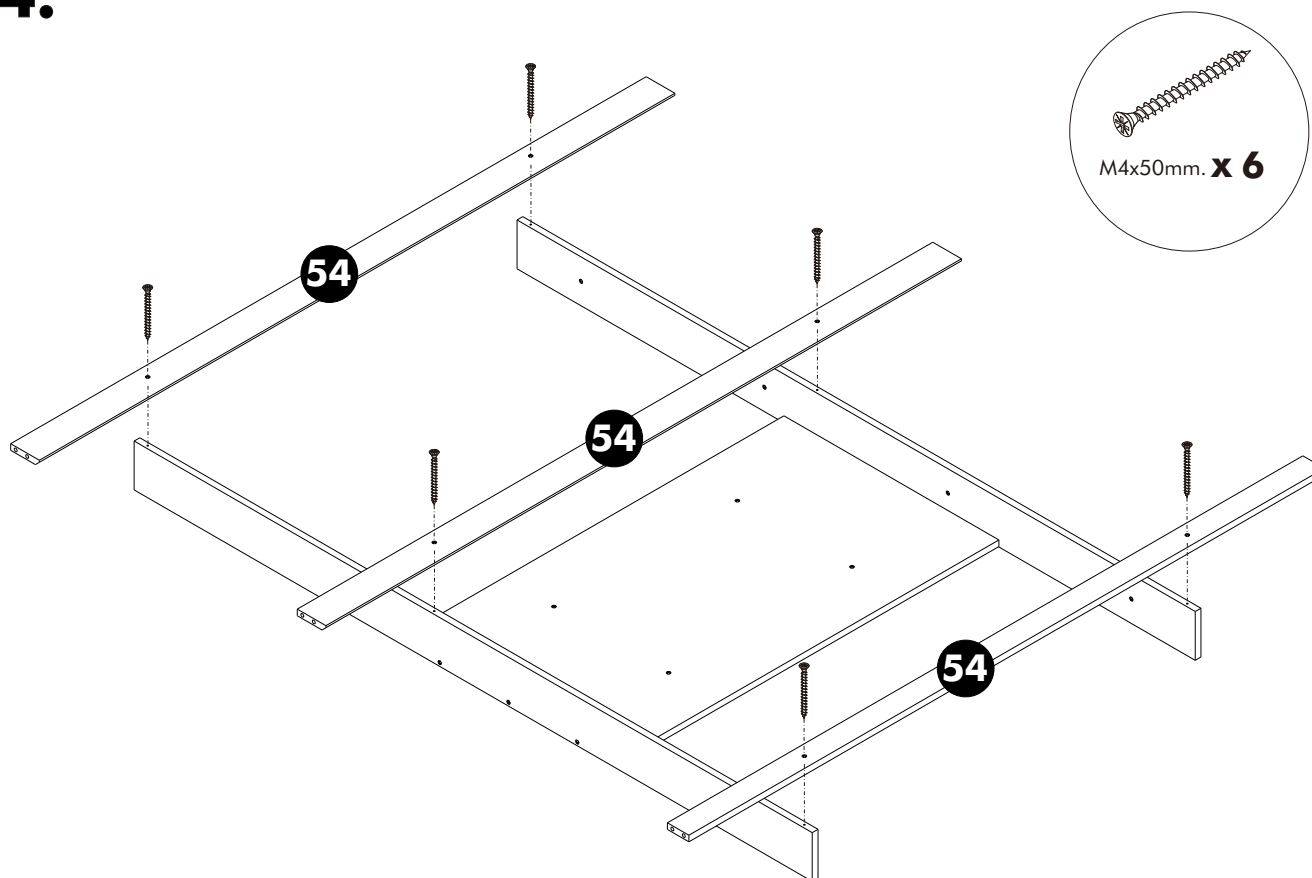
**12.**



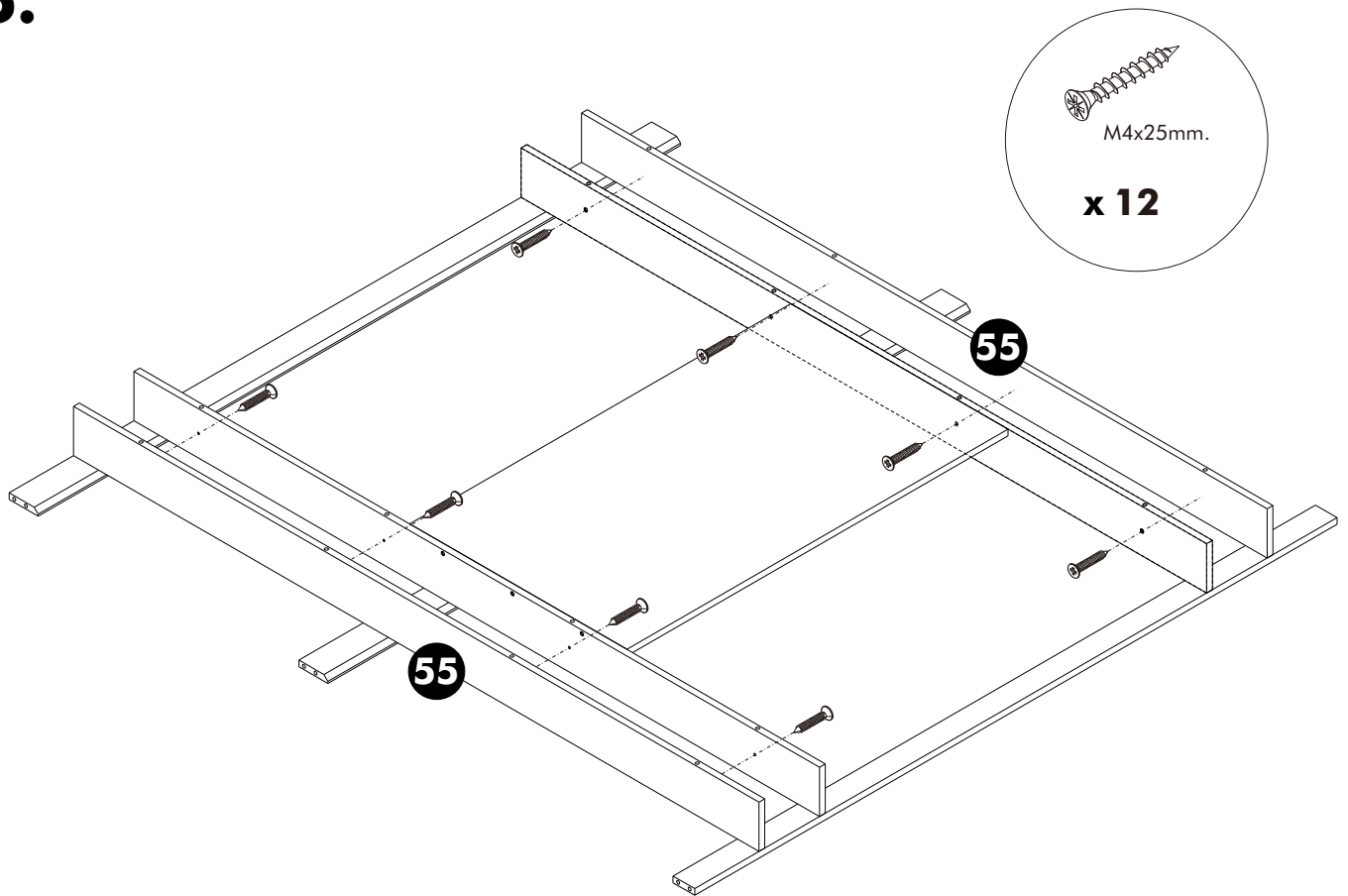
**13.**



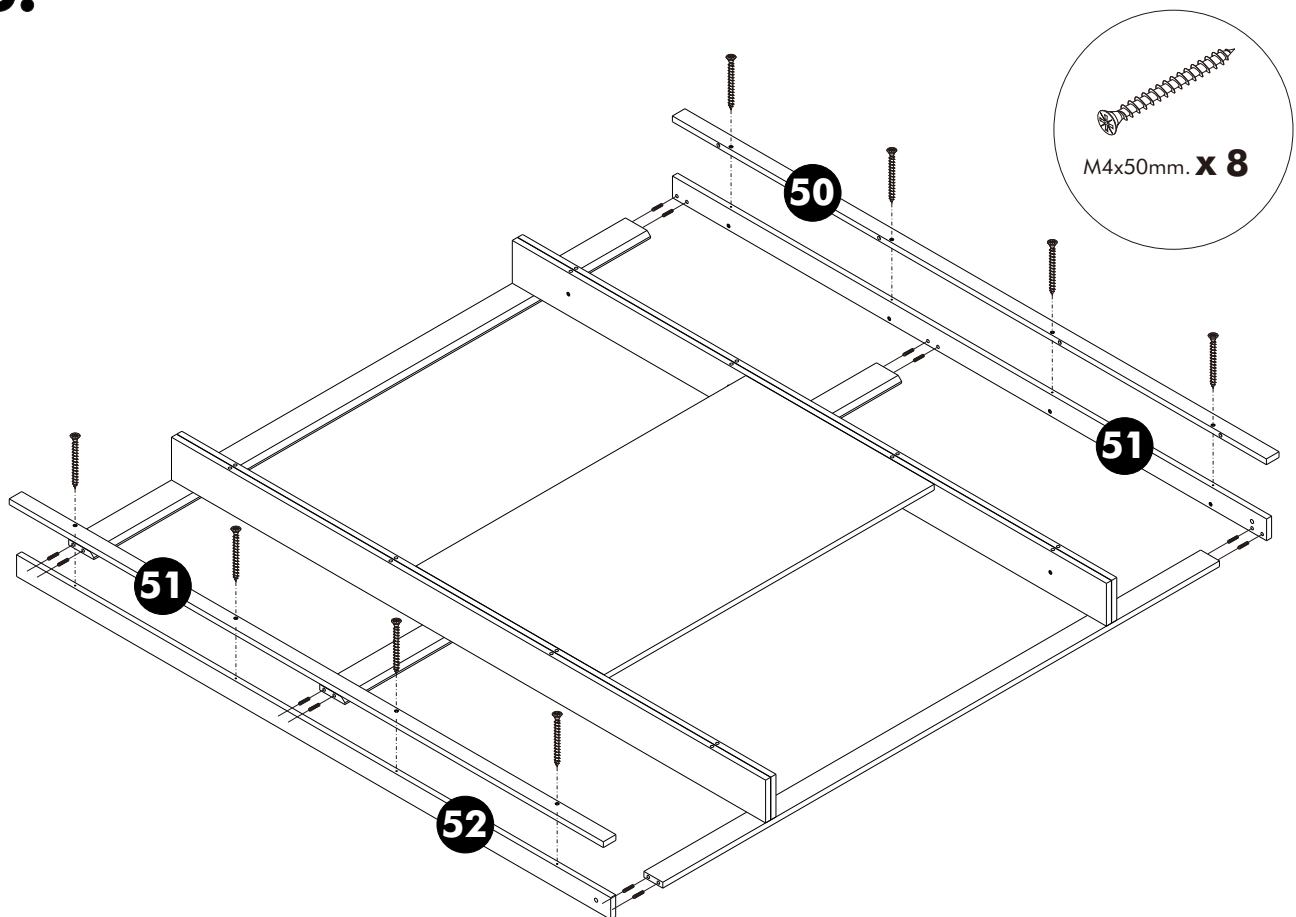
**14.**



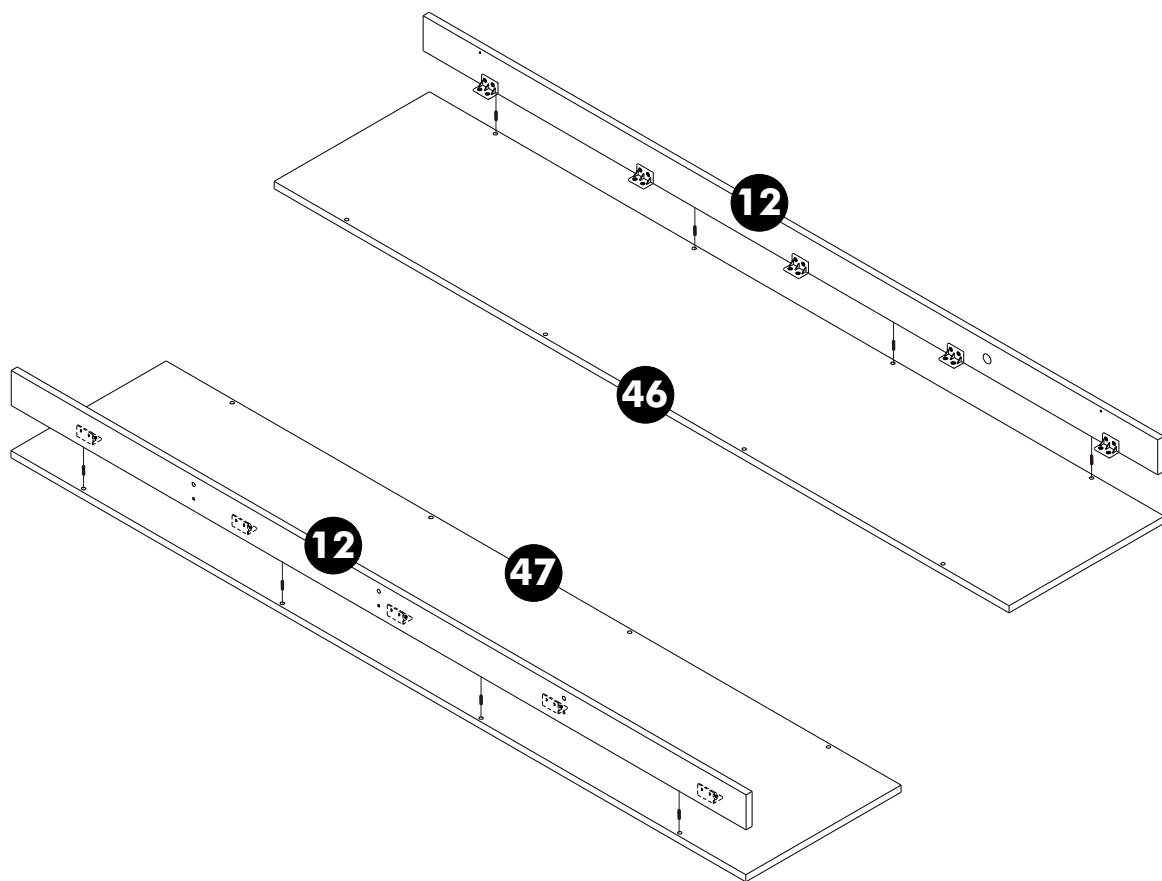
**15.**



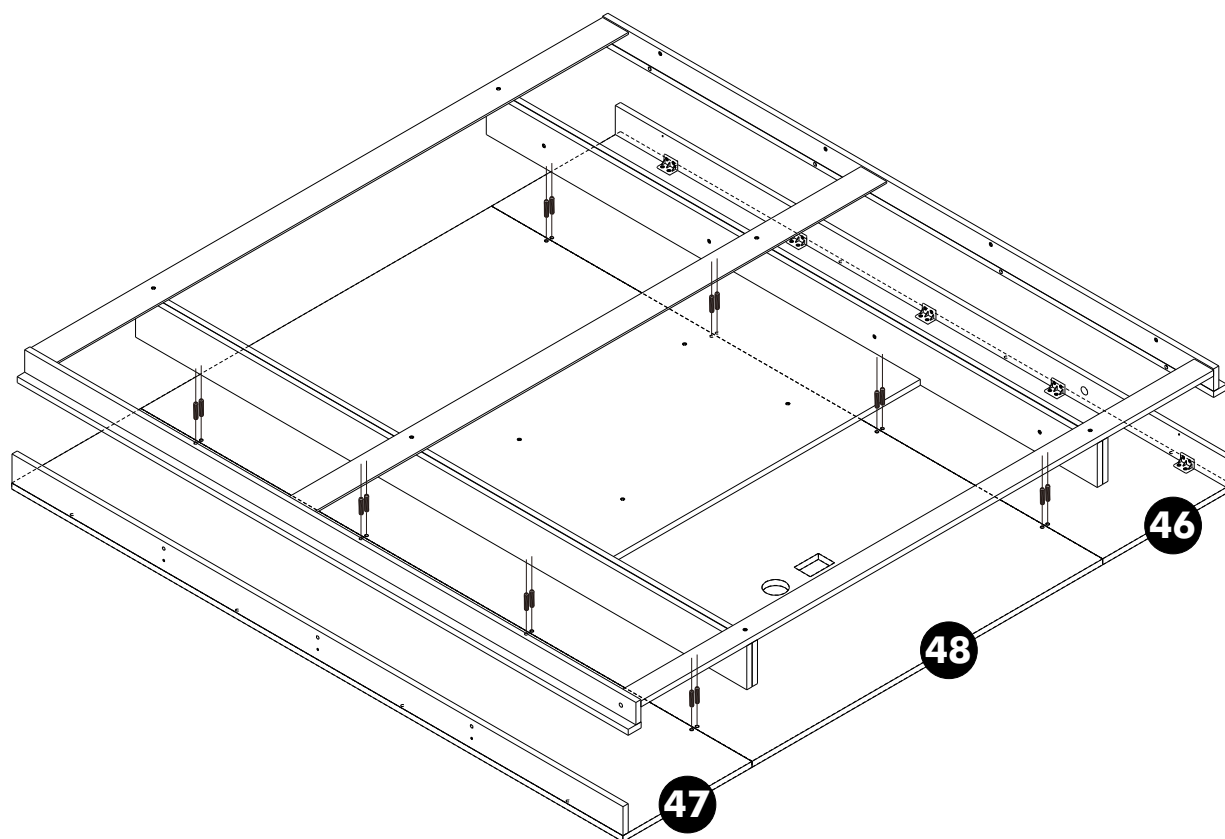
**16.**



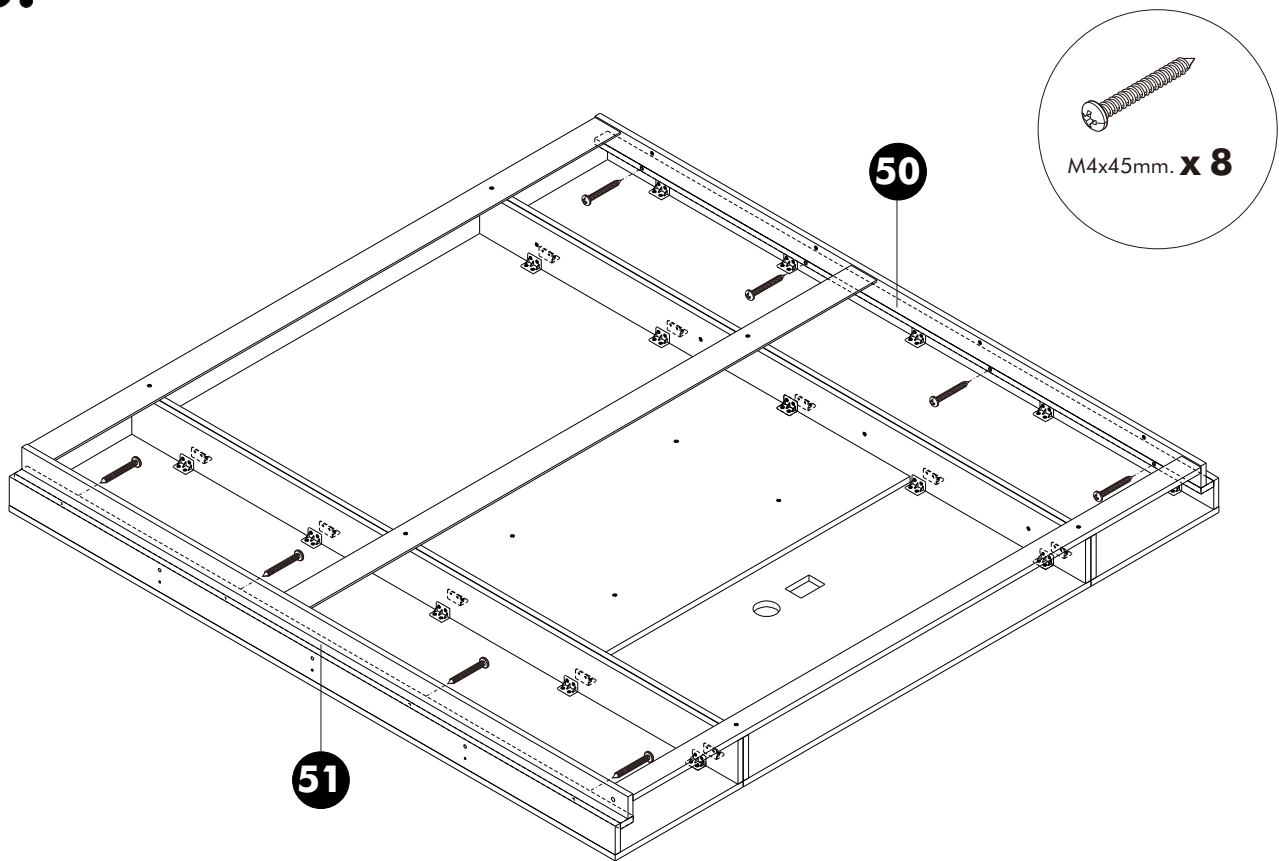
**18.**



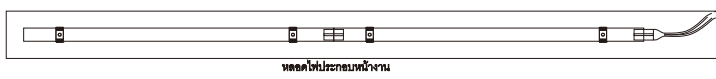
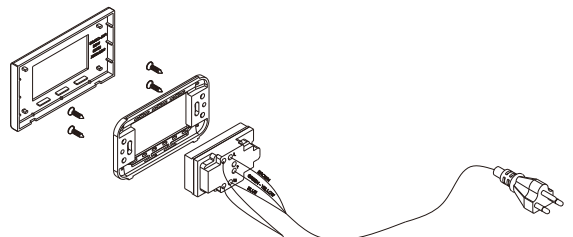
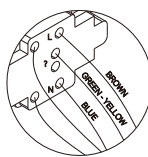
**19.**

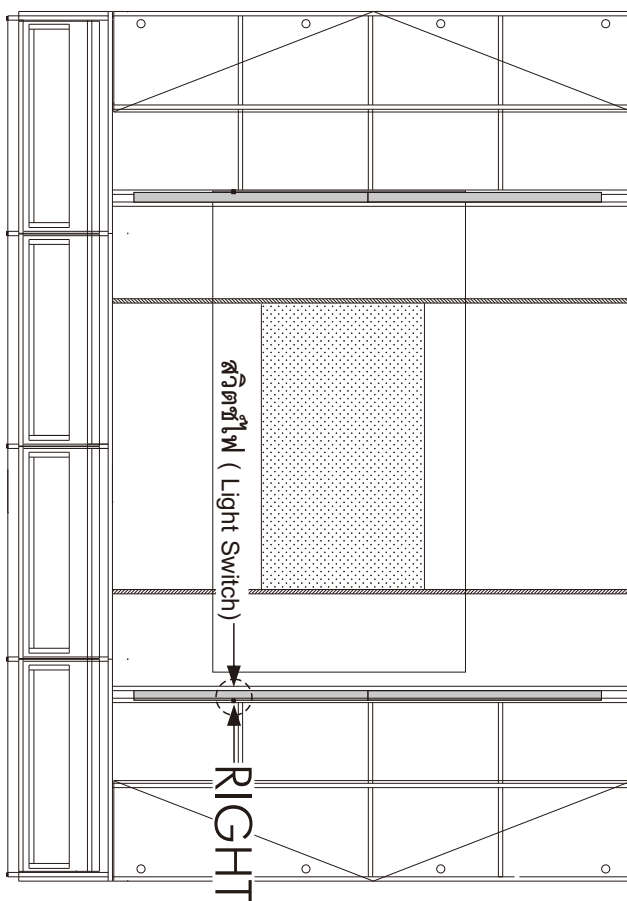
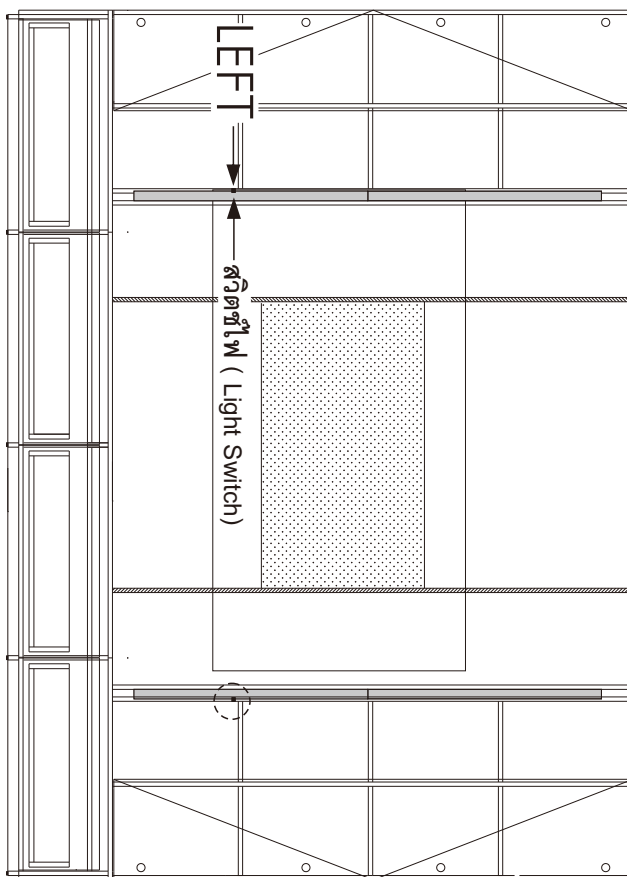
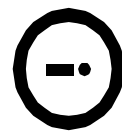


# 20.

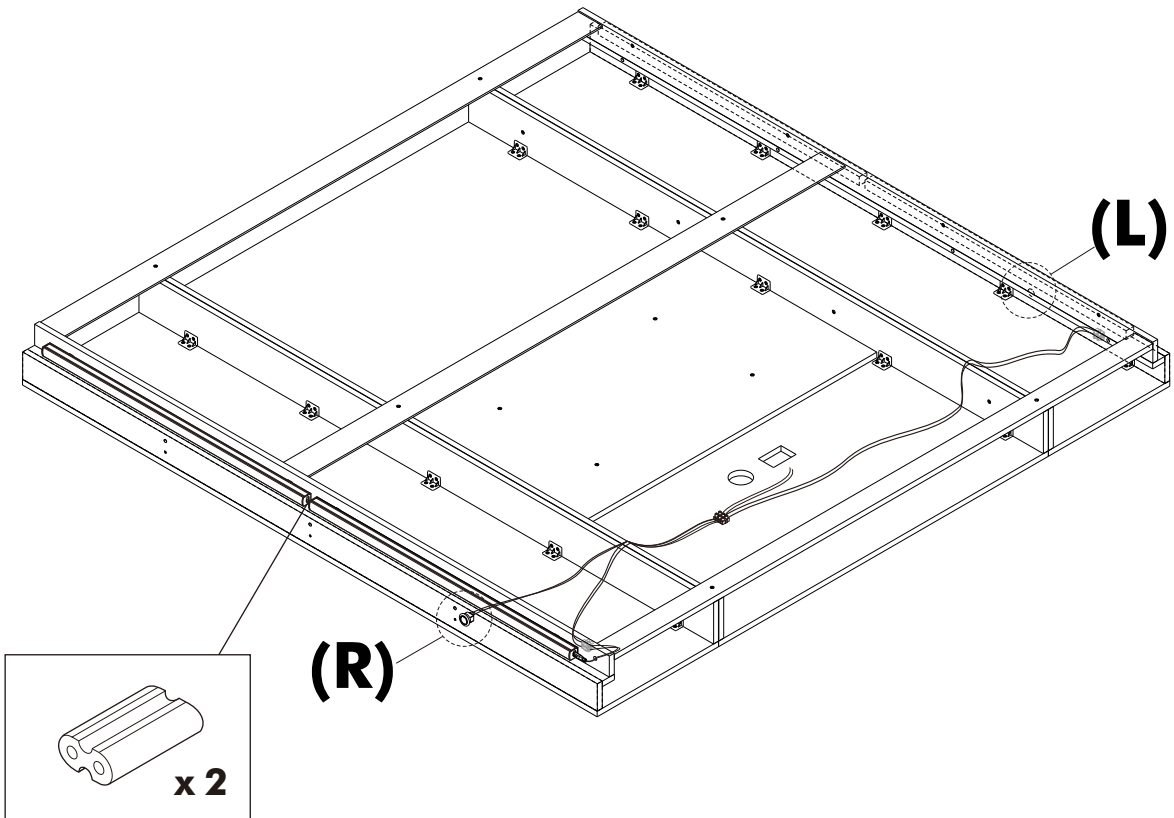
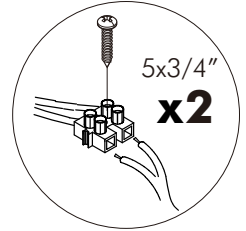
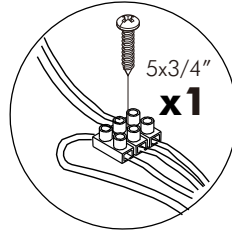
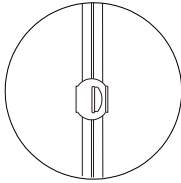
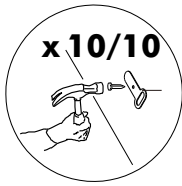
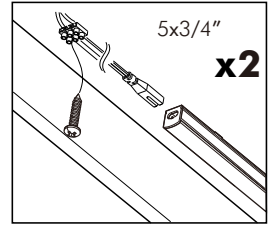
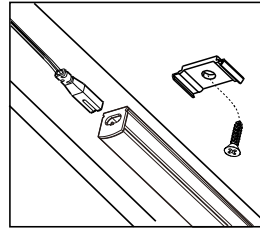
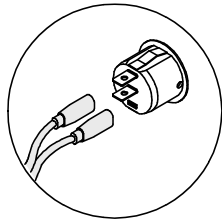
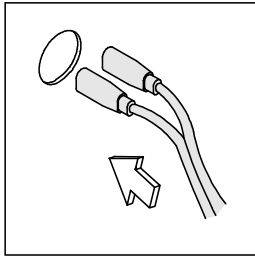


L = BROWN  
 N = BLUE  
 ⊕ = GREEN - YELLOW

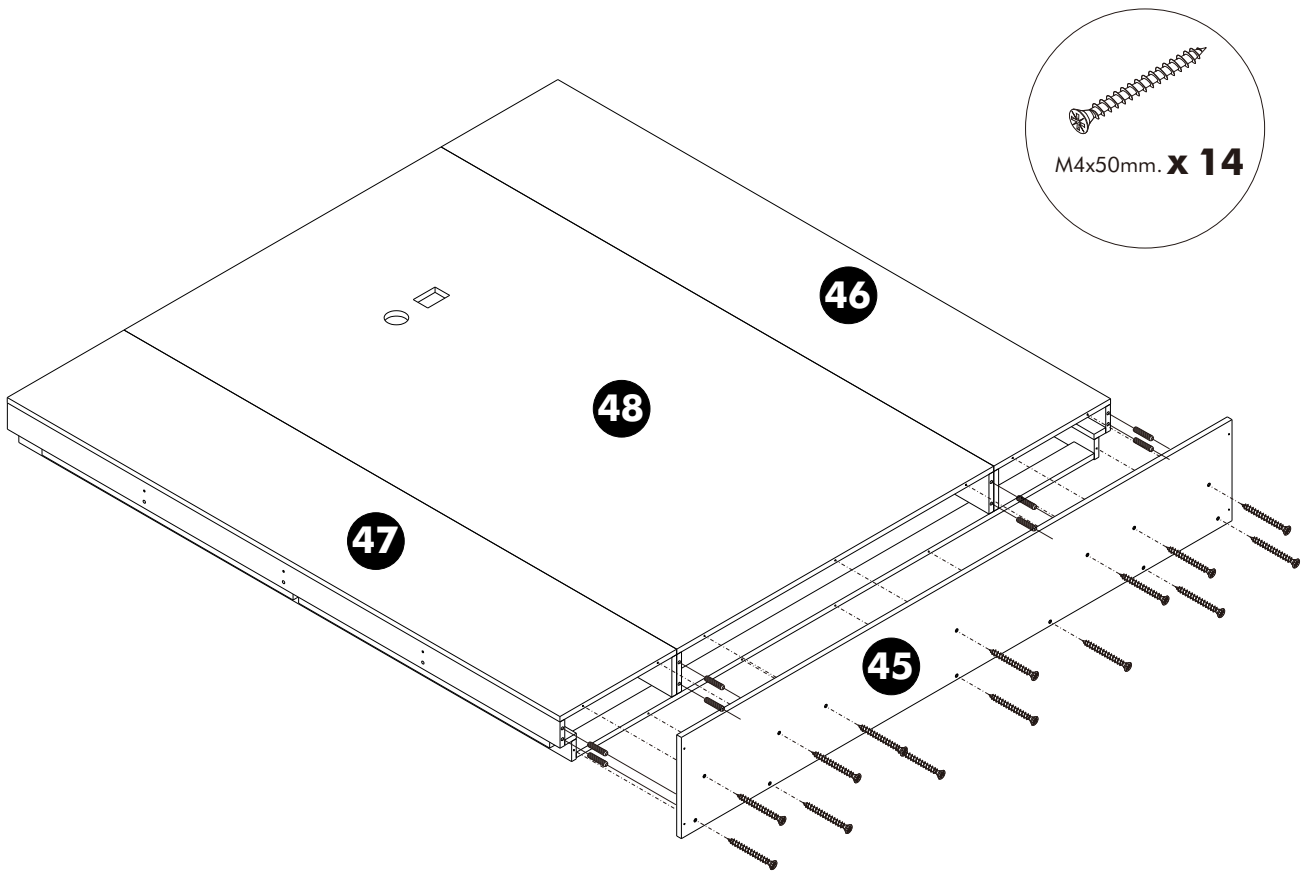




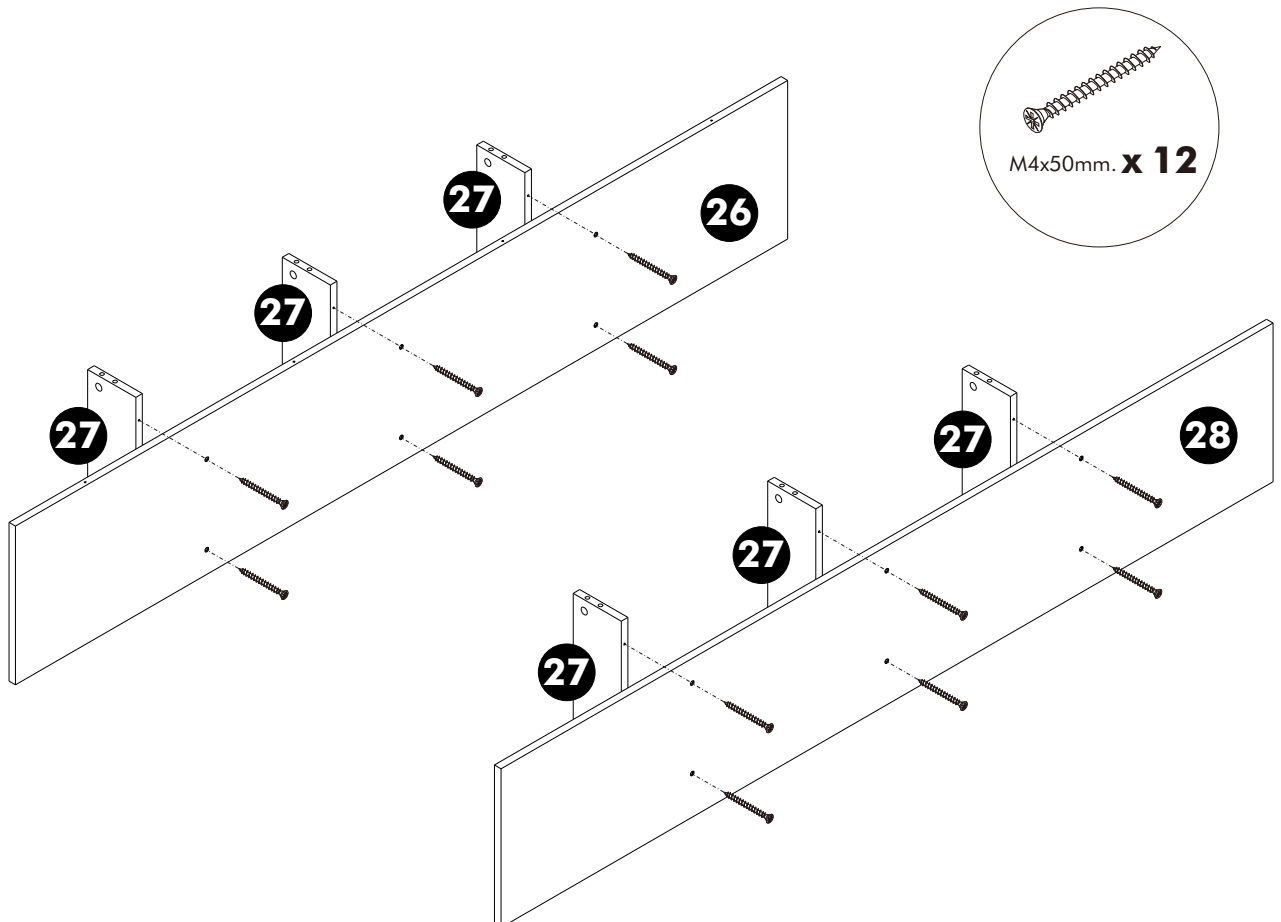
# 21.



**22.**



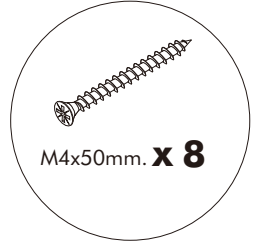
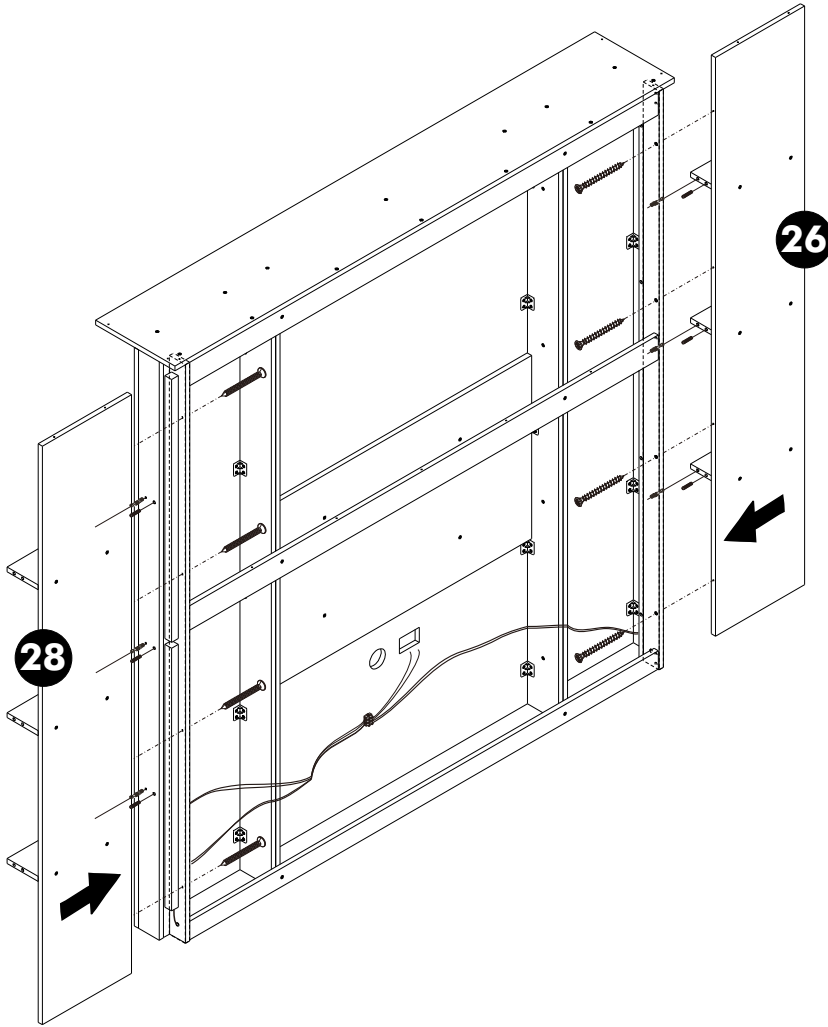
**23.**



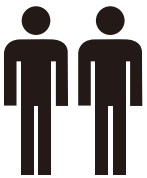
# 24.



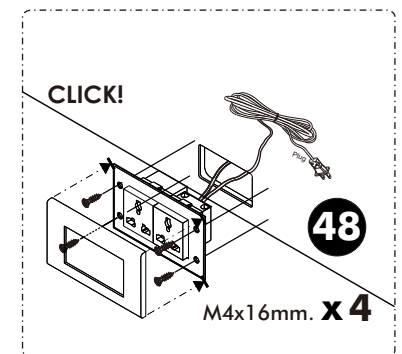
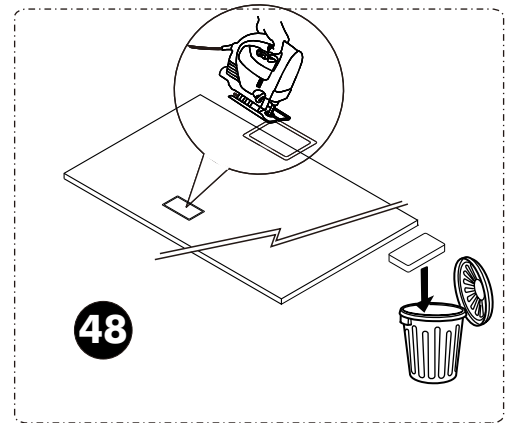
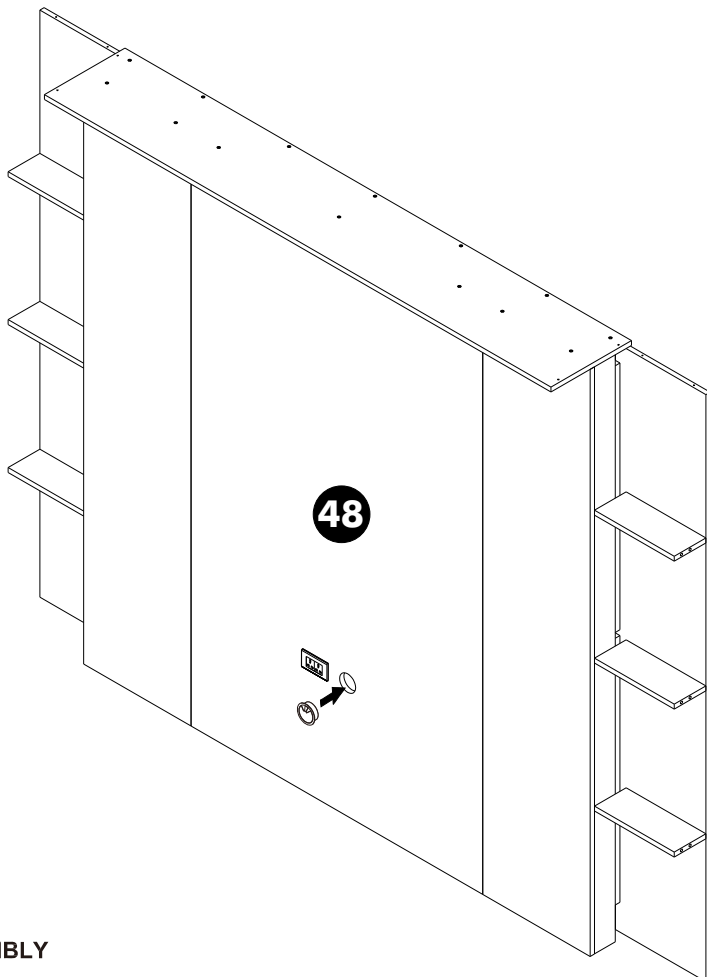
4 PERSON ASSEMBLY



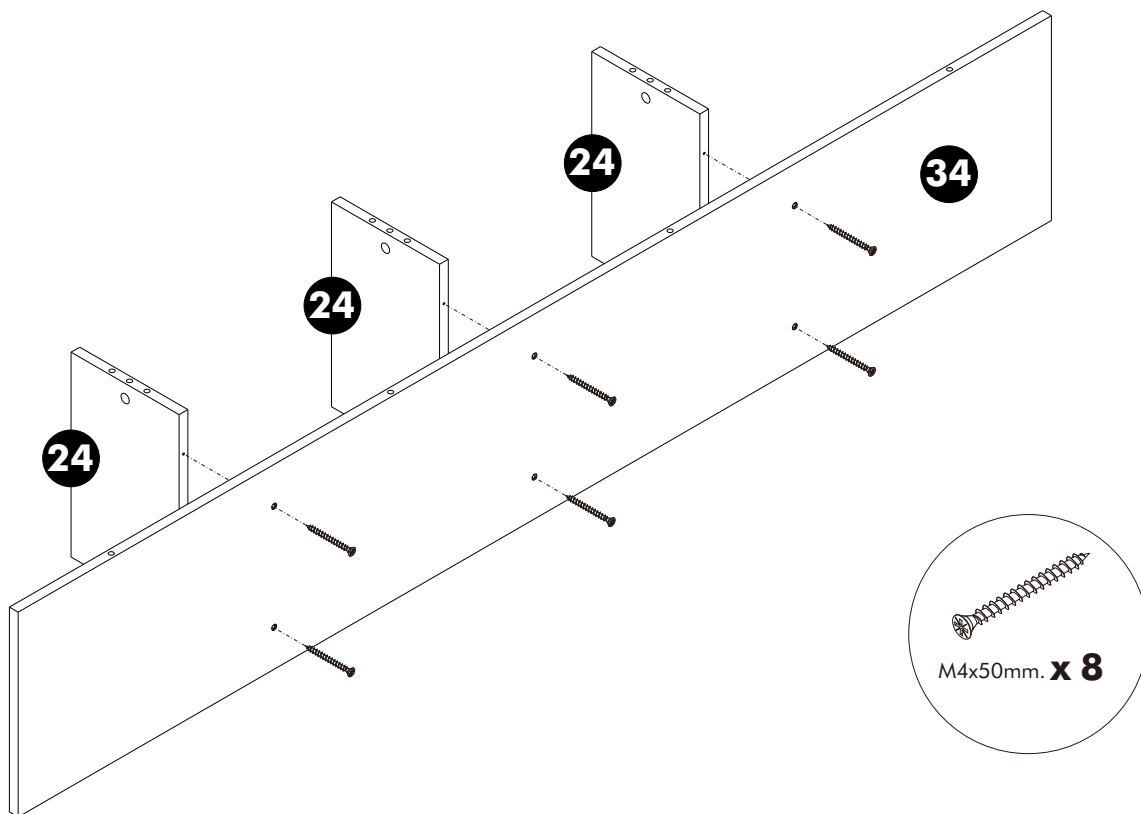
# 25.



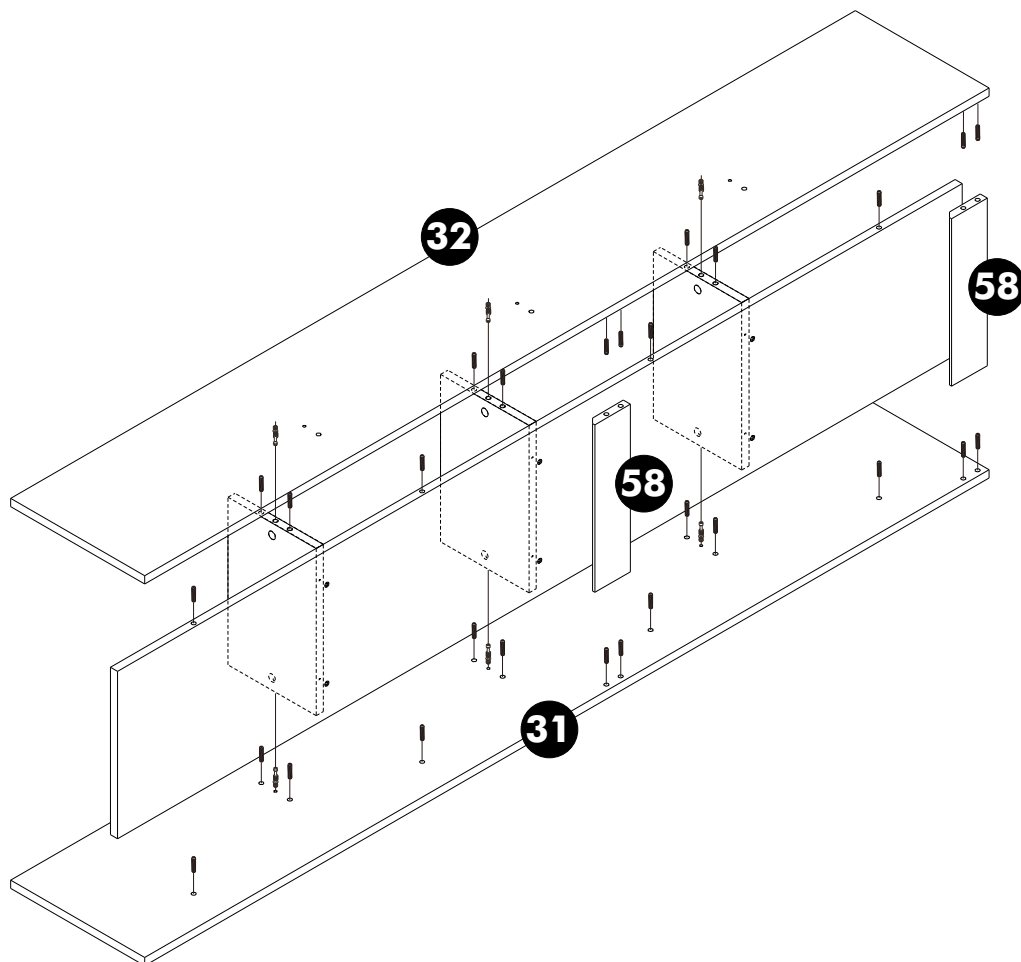
4 PERSON ASSEMBLY



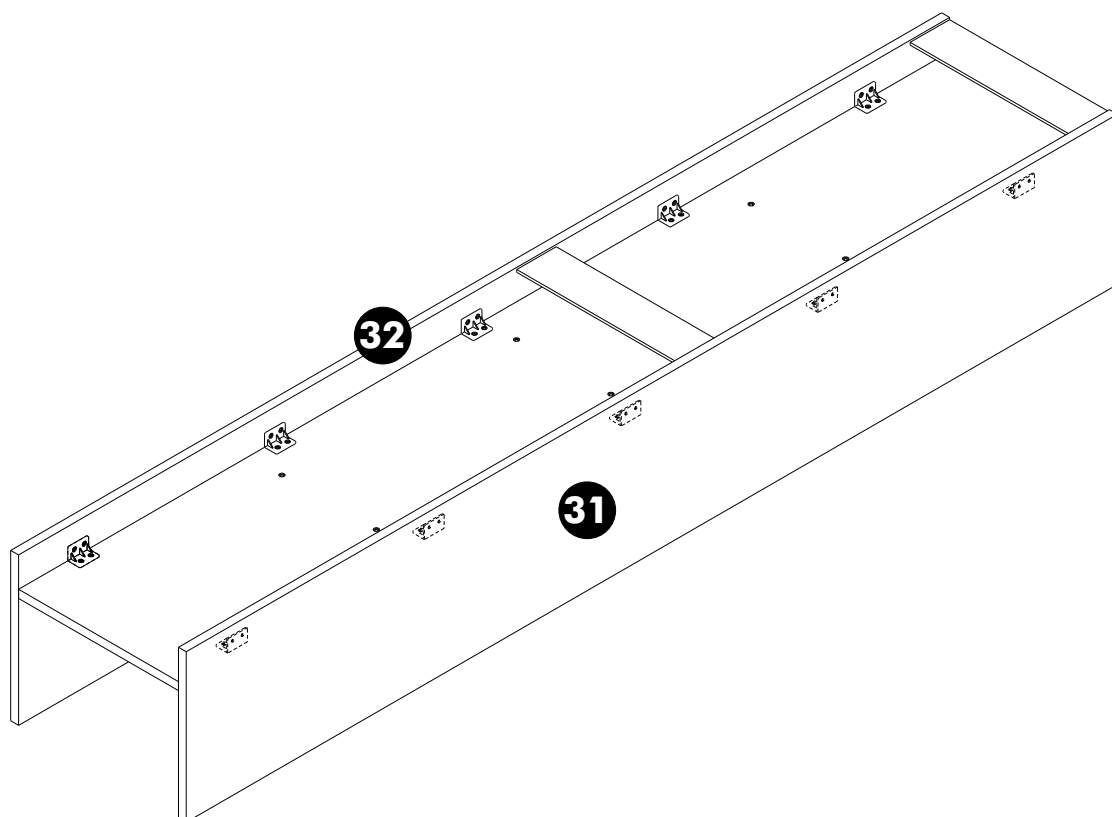
**26.**



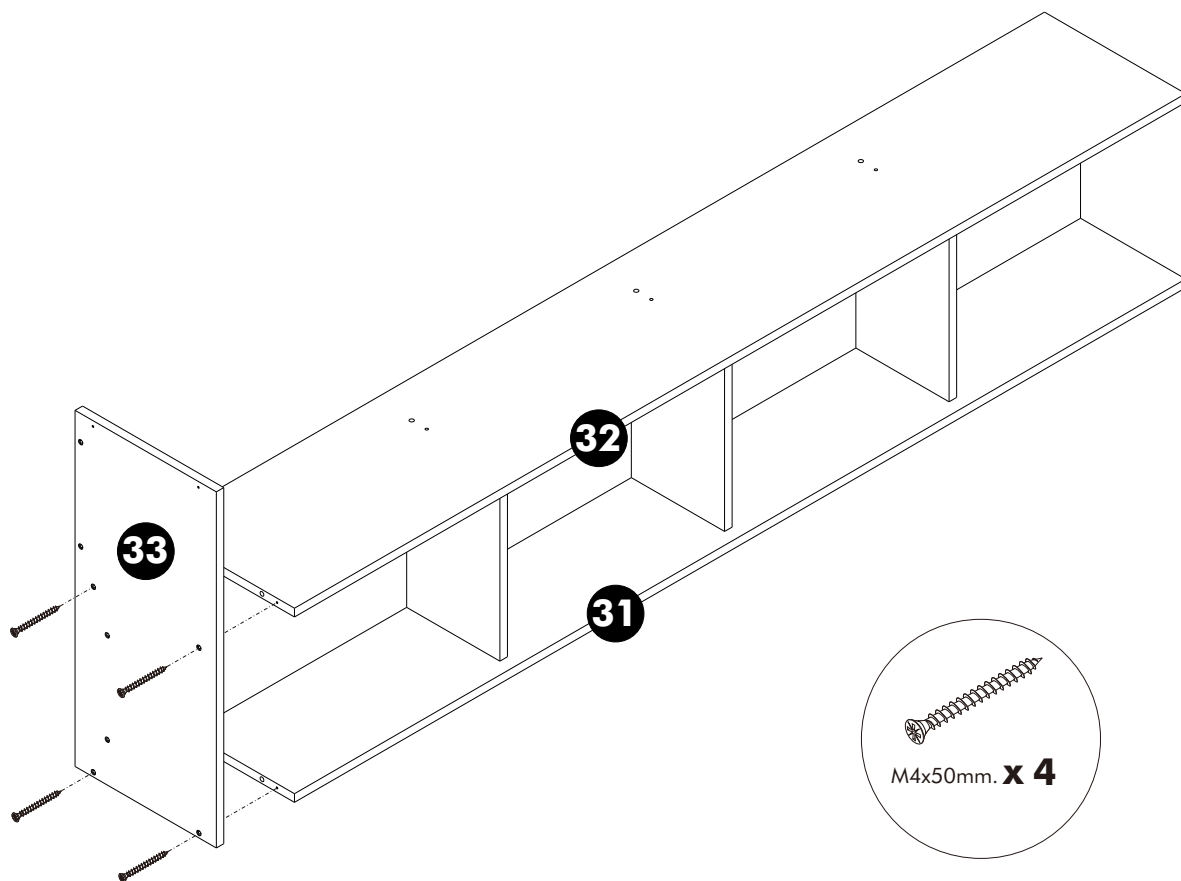
**27.**



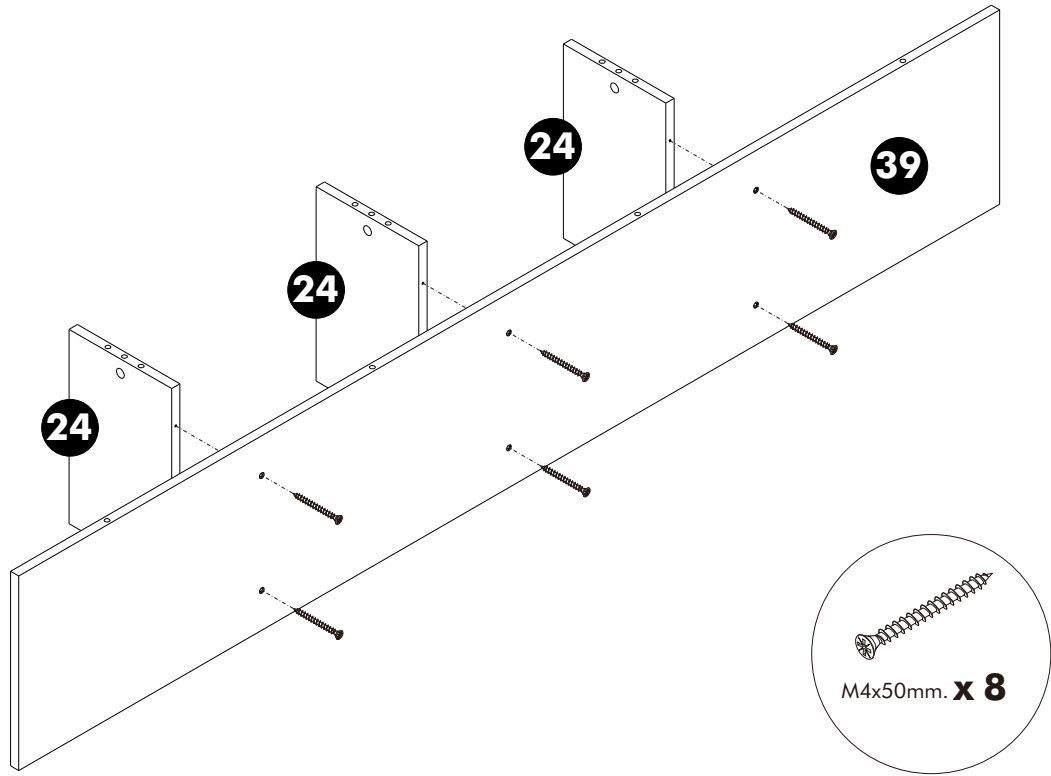
**28.**



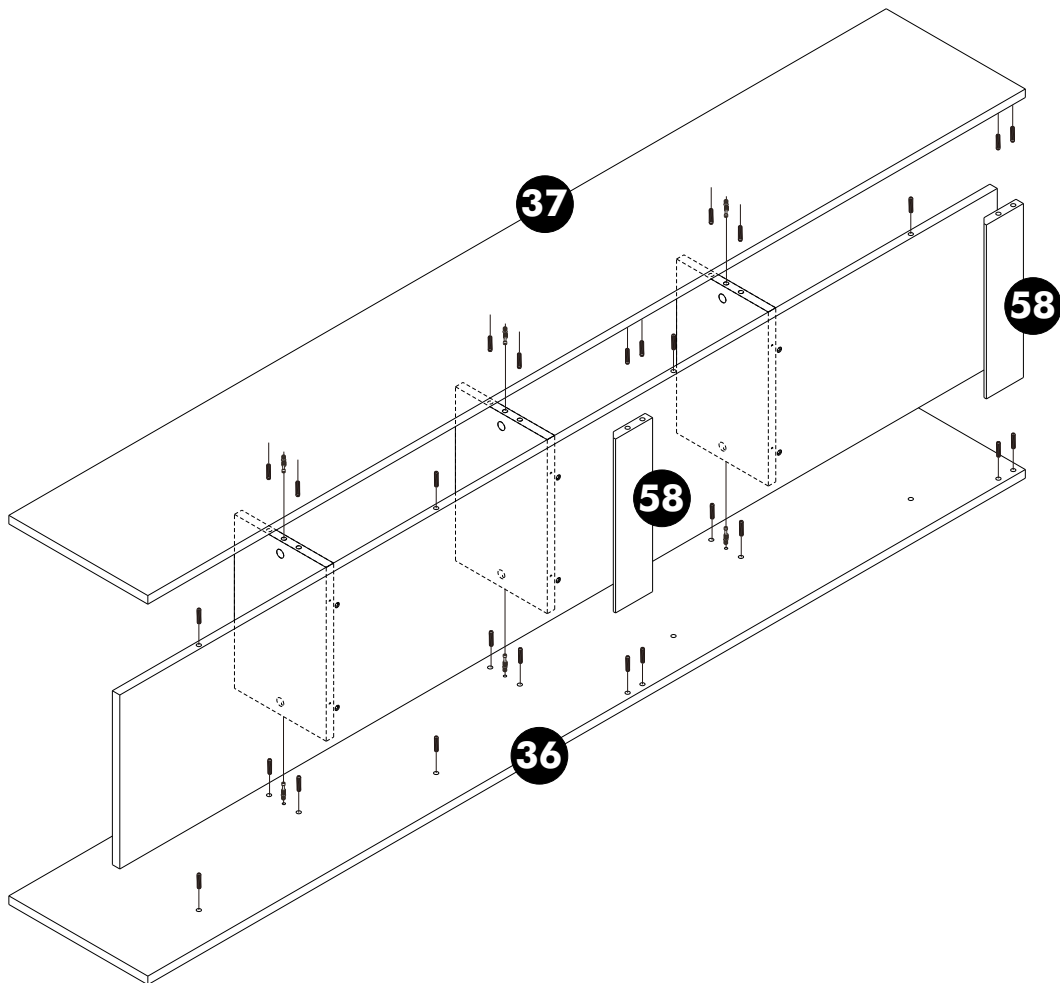
**29.**



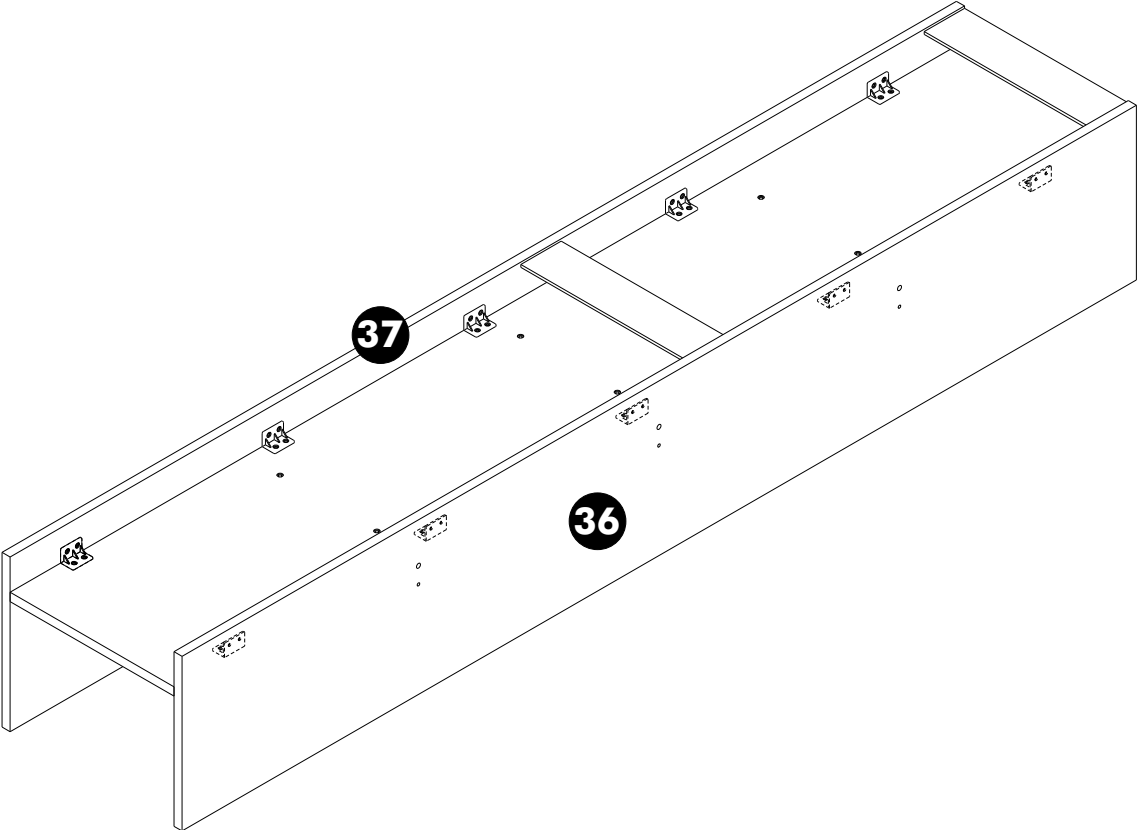
**30.**



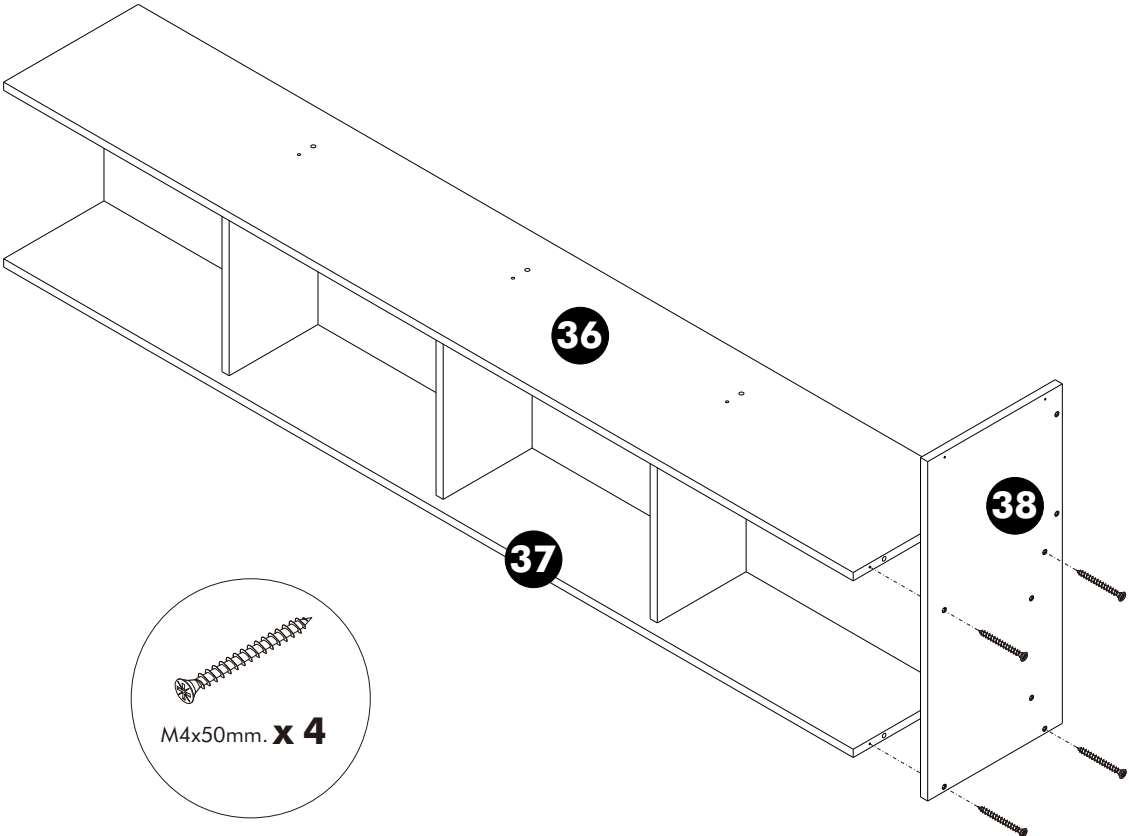
**31.**



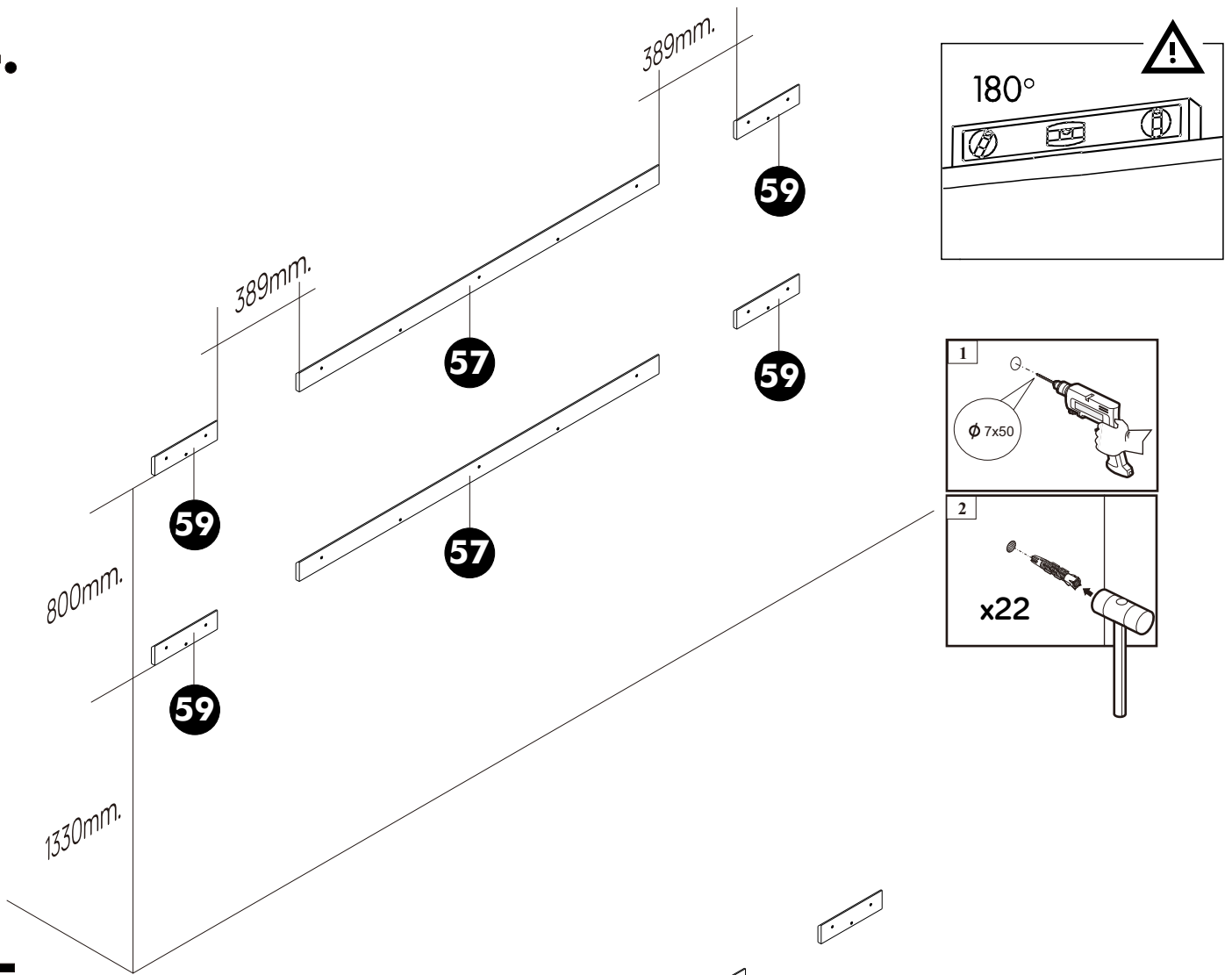
**32.**



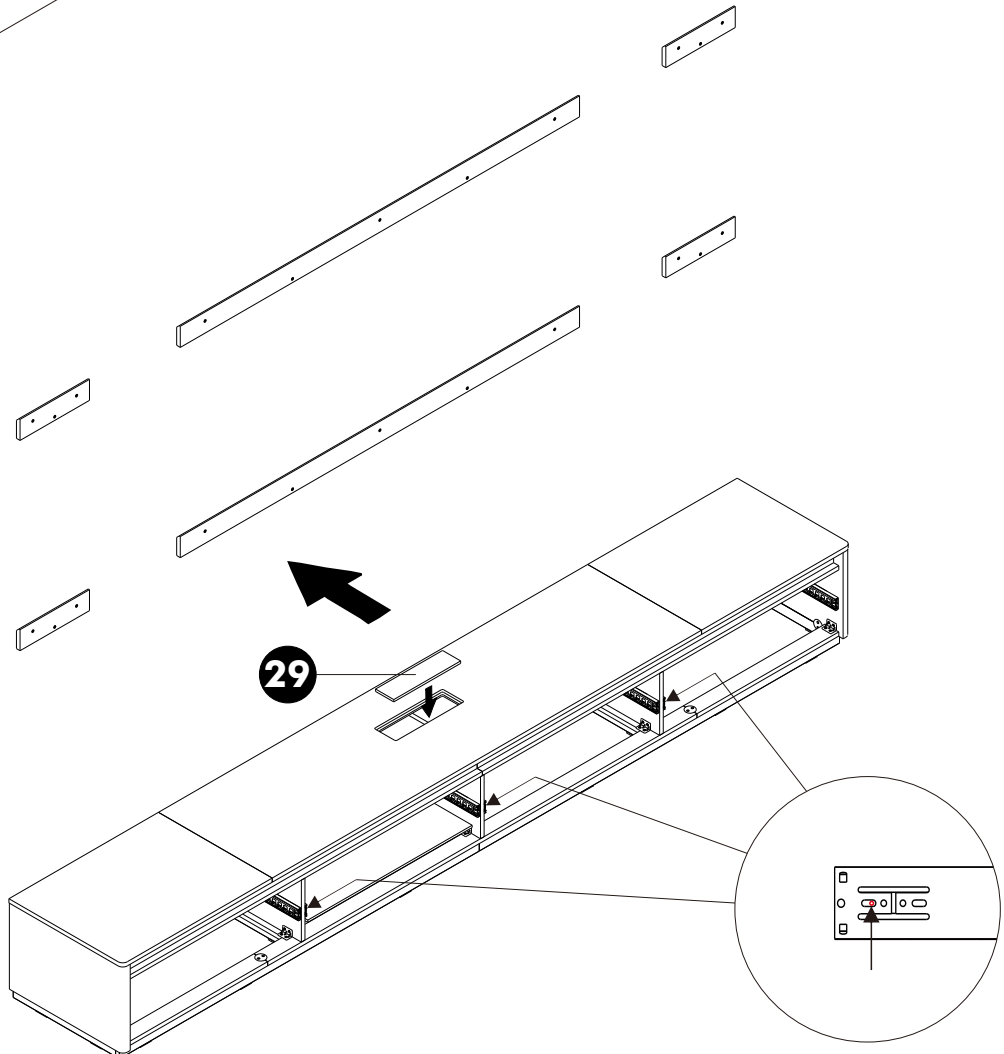
**33.**



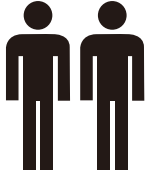
**34.**



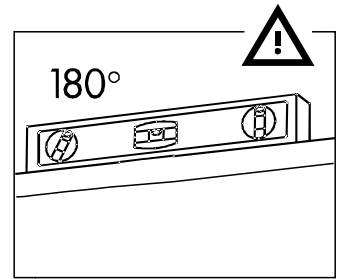
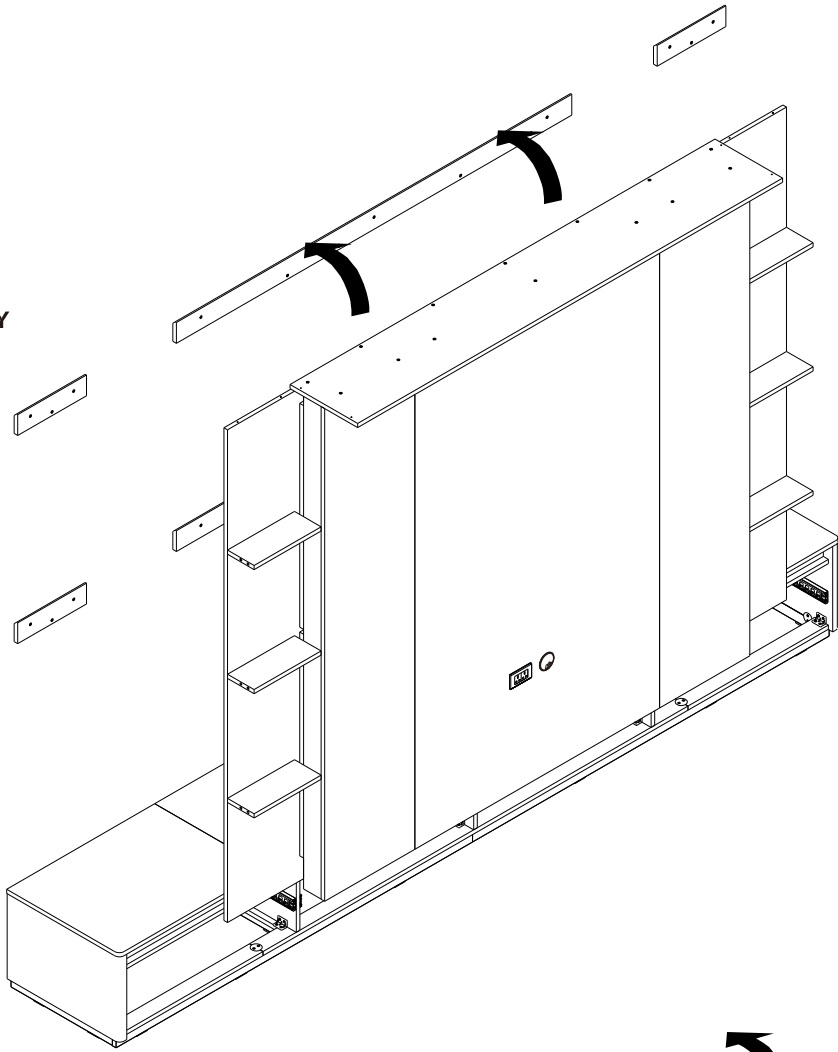
**35.**



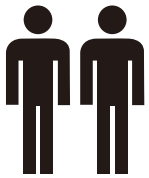
# 36.



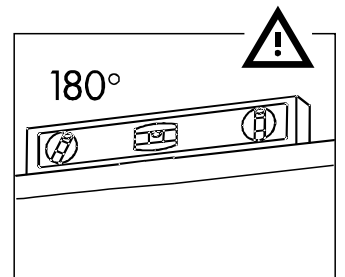
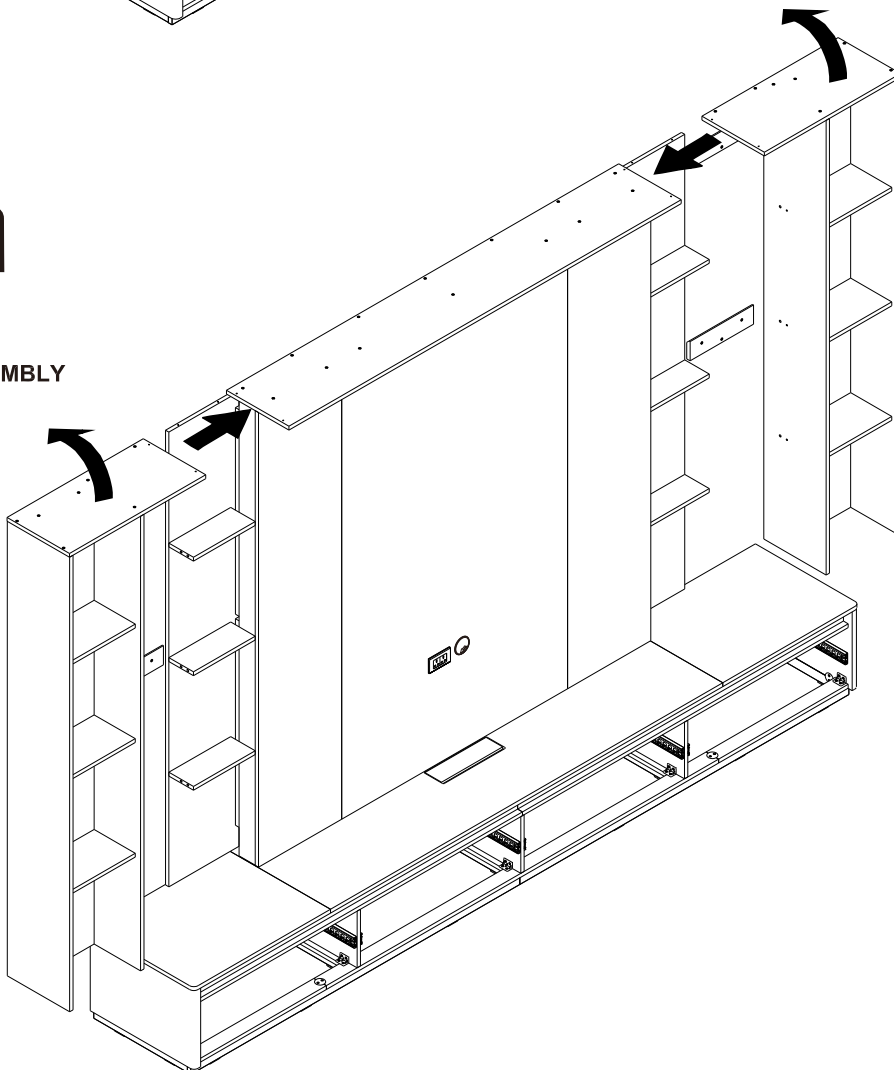
4 PERSON ASSEMBLY



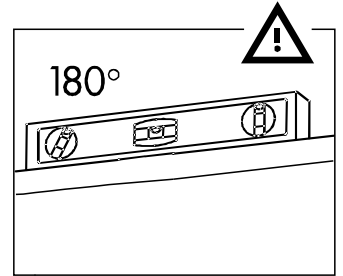
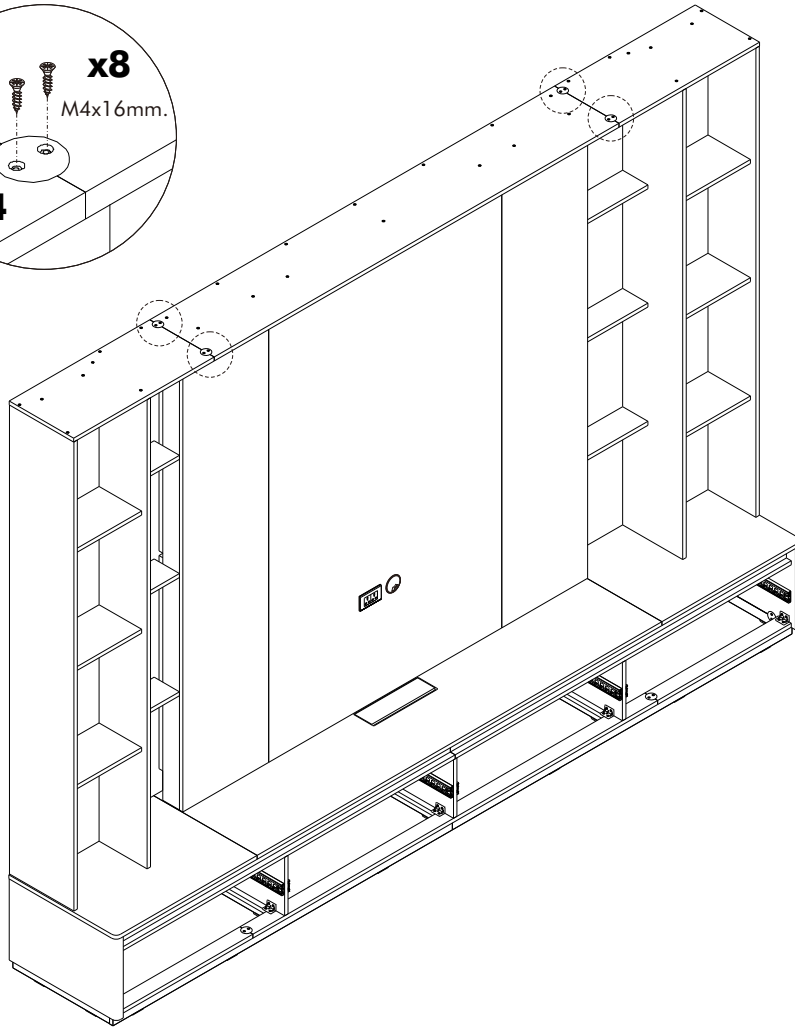
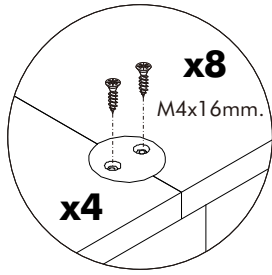
# 37.



4 PERSON ASSEMBLY



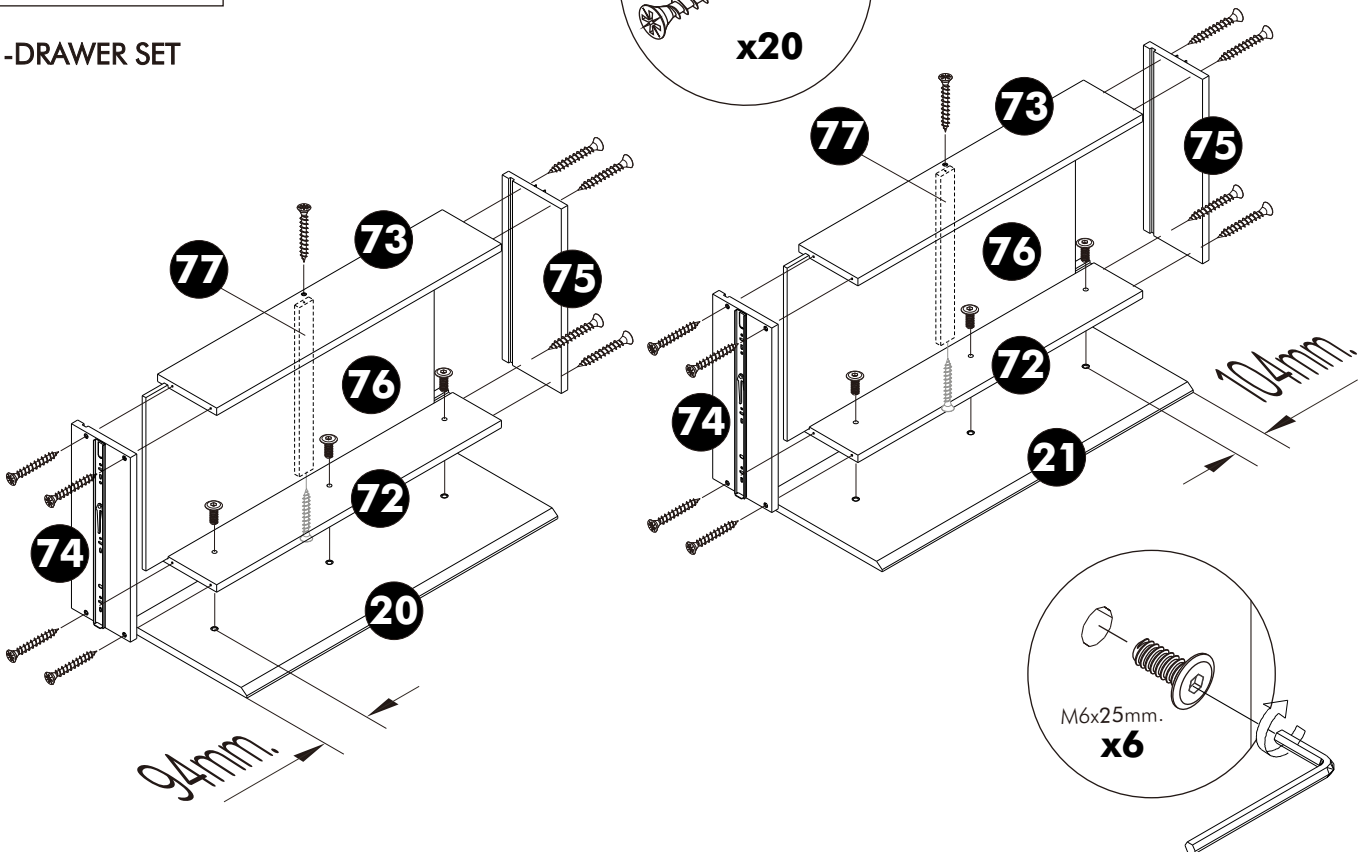
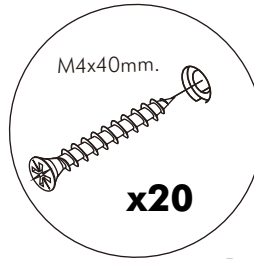
**38.**



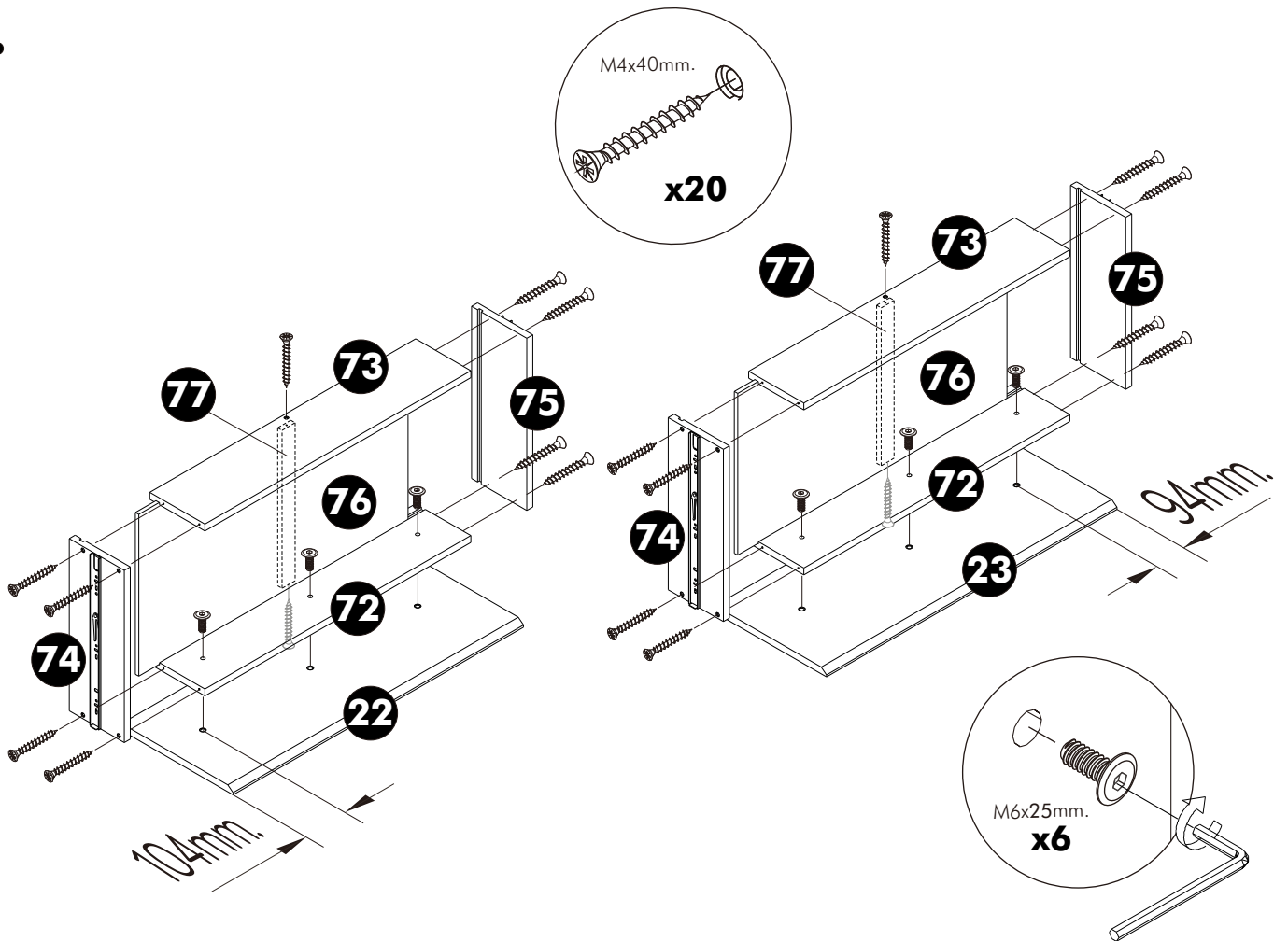
**39.**

**ASSEMBLY**

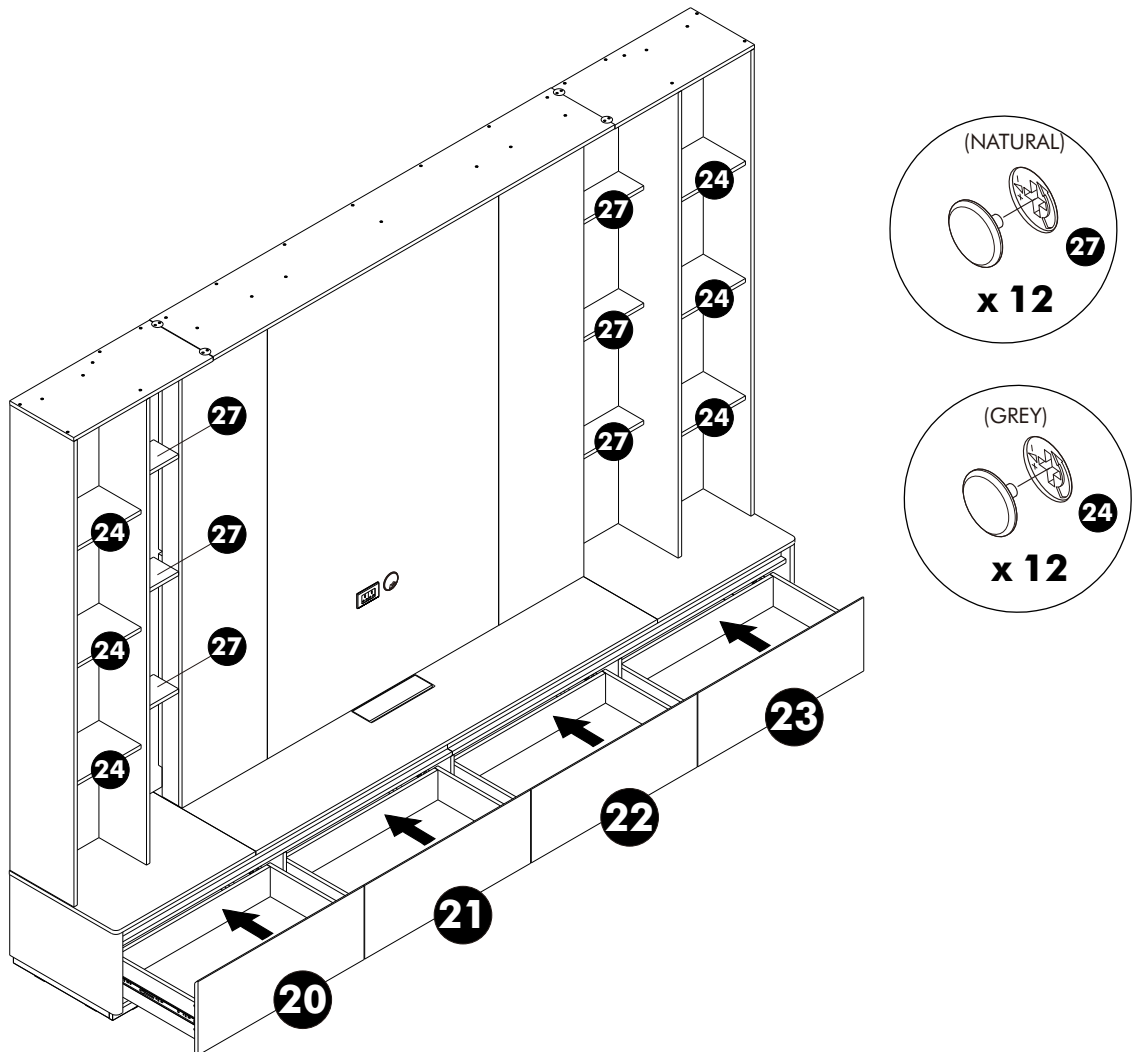
-DRAWER SET



40.



41.



42.

