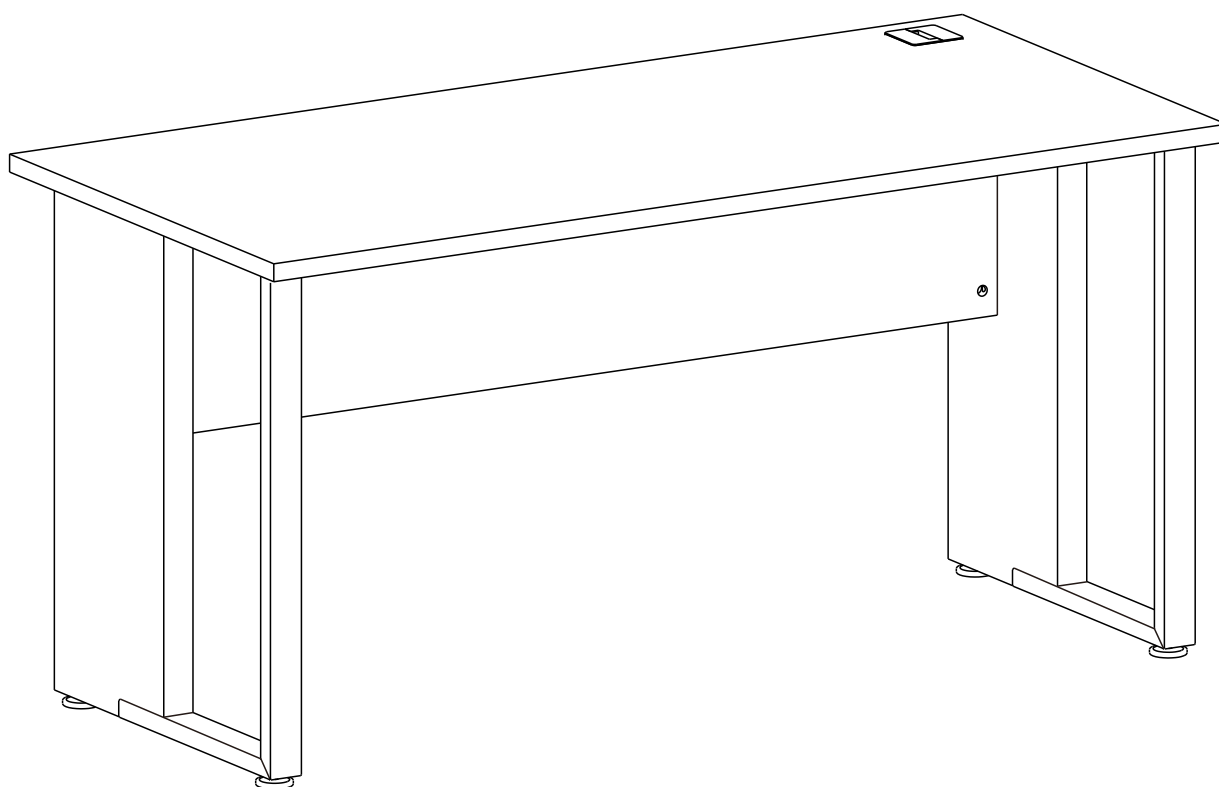


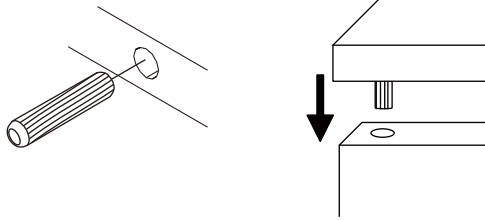
VECTRA 2

DESK 150CM.

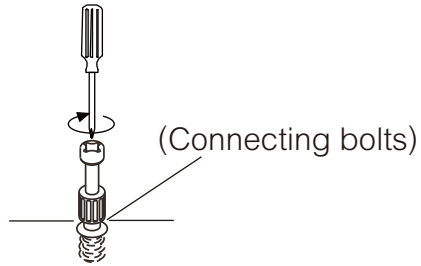


CONNECT SYSTEM

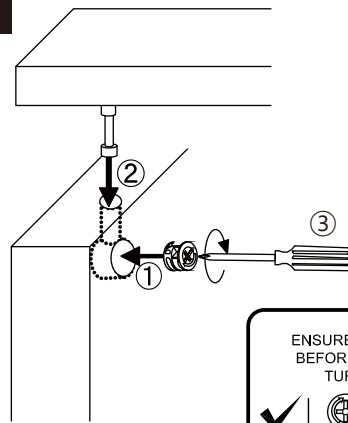
1



2



3

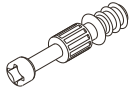


WHEN FITTING CAMS
ENSURE STARTING POSITION IS CORRECT
BEFORE YOU INSERT CONNECTING BOLT
TURN CLOCKWISE UNTIL SECURE

✓				✗
↑				
CORRECT		WRONG		

HARDWARE

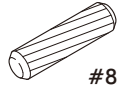
-BODY SET



x 11

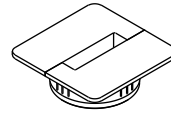


x 11



#8x35

x 10



x 1

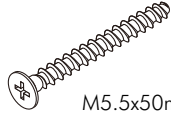


x 11



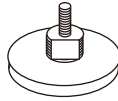
M4x16mm.

x 8



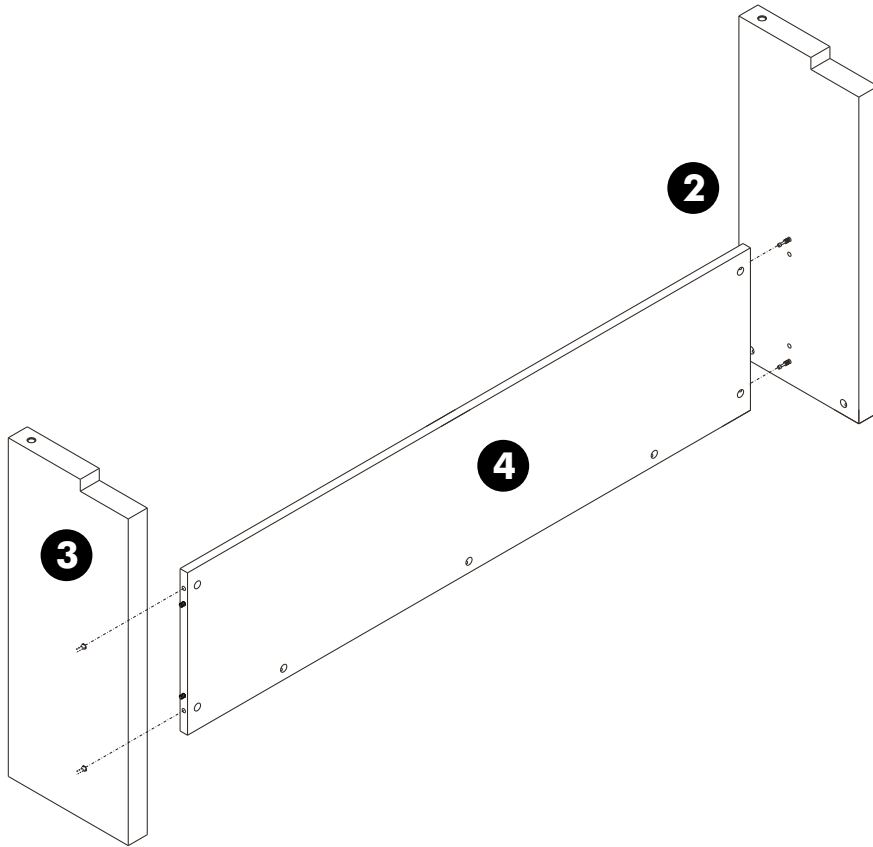
M5.5x50mm.

x 4

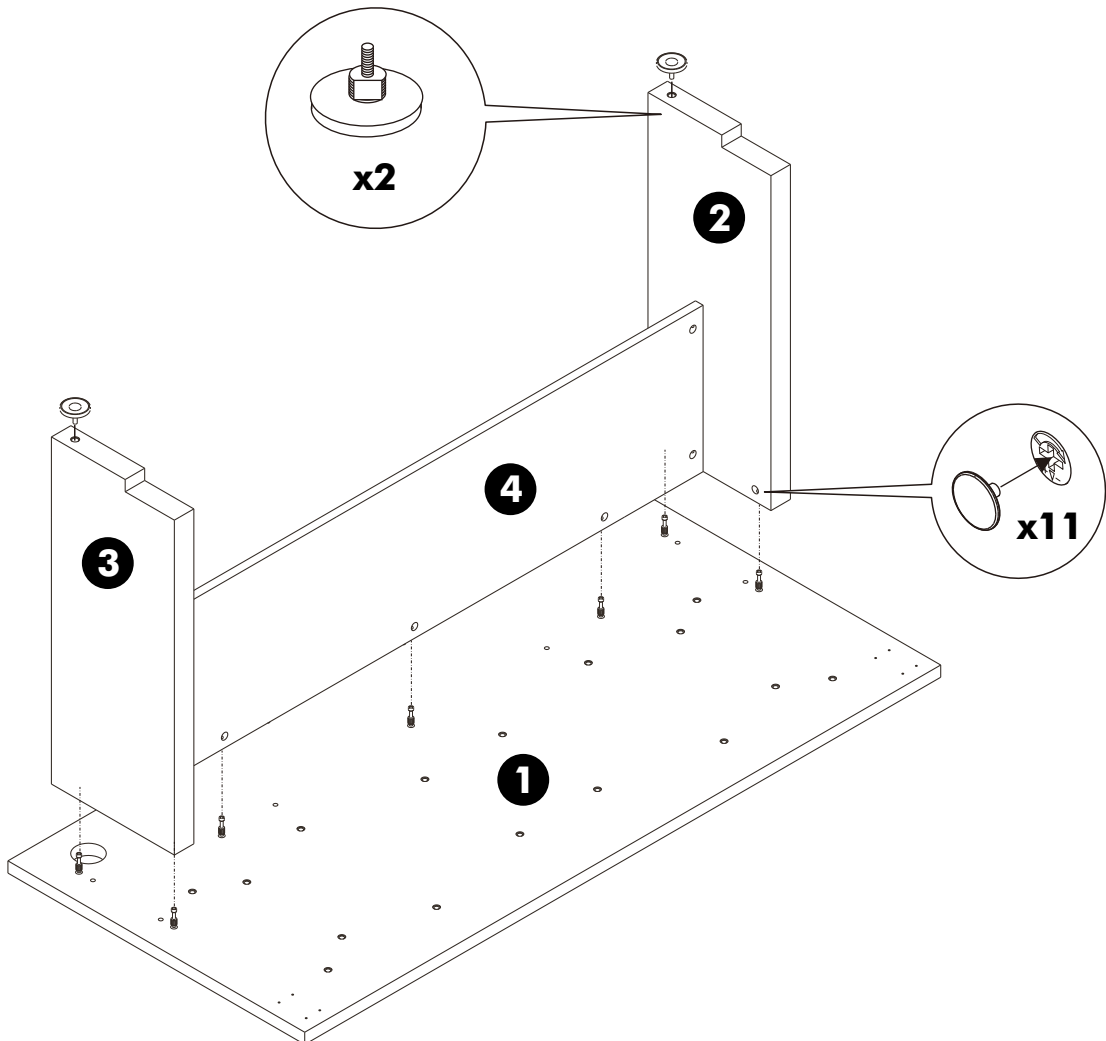


x 4

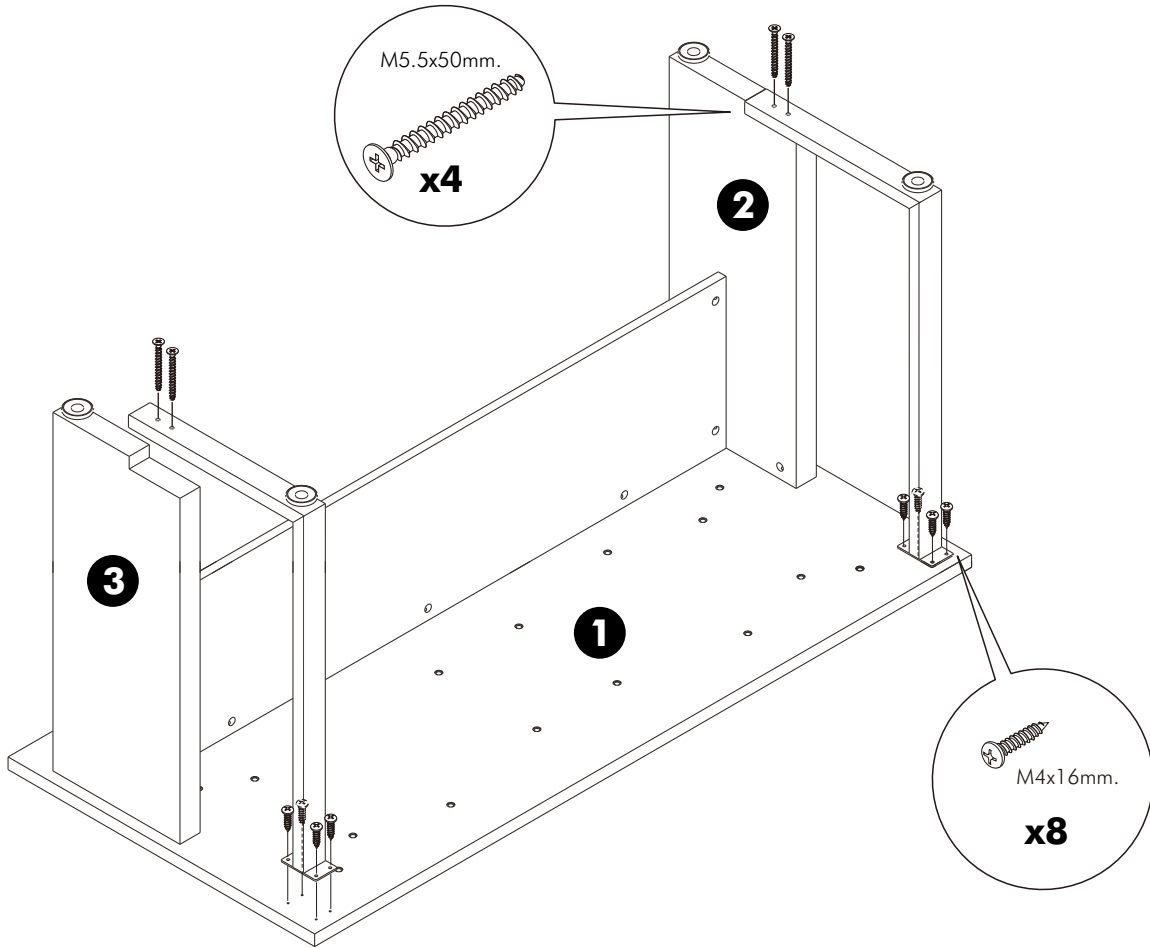
1.



2.



3.



4.

