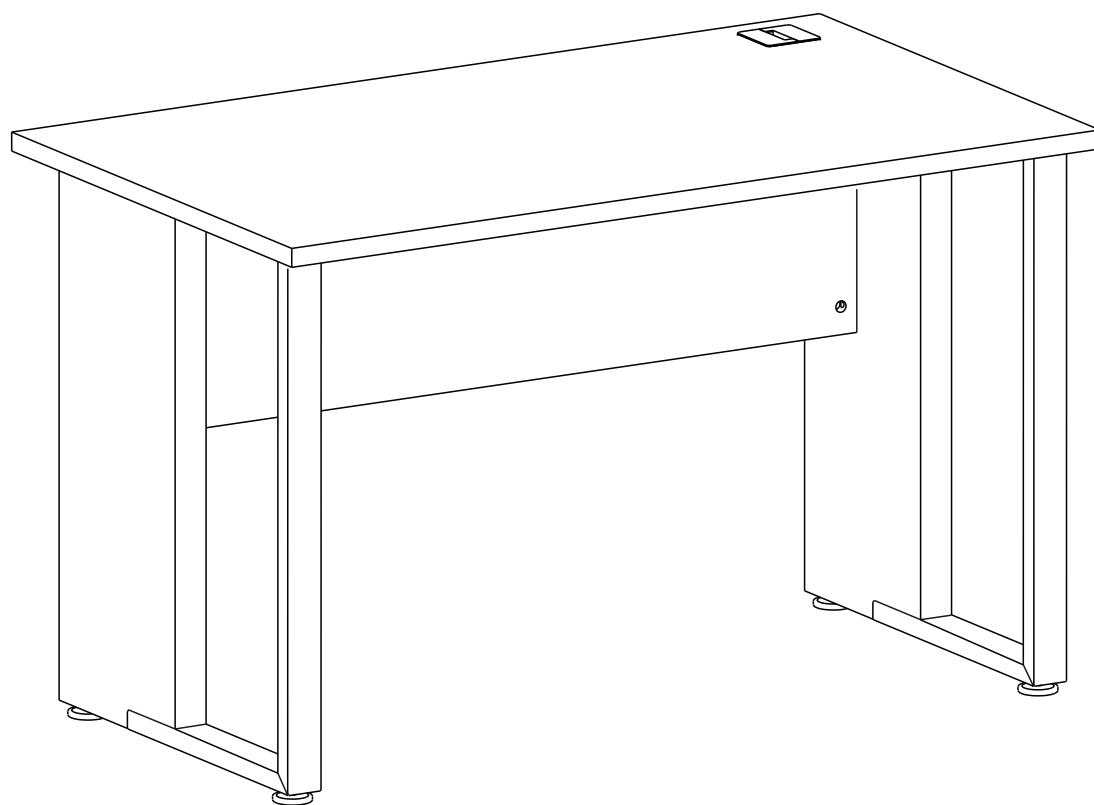


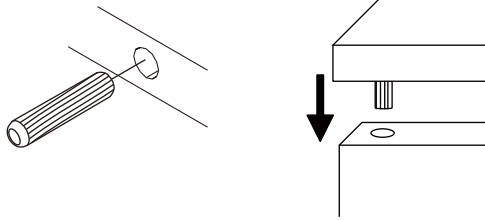
# VECTRA 2

DESK 120CM.

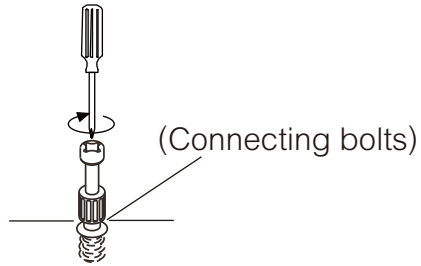


# CONNECT SYSTEM

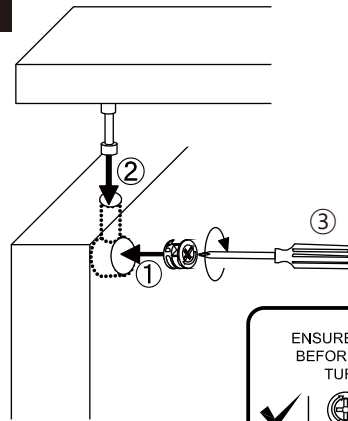
1



2



3

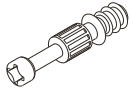


**WHEN FITTING CAMS**  
ENSURE STARTING POSITION IS CORRECT  
BEFORE YOU INSERT CONNECTING BOLT  
TURN CLOCKWISE UNTIL SECURE

✓				✗
↑				
<b>CORRECT</b>		<b>WRONG</b>		

# HARDWARE

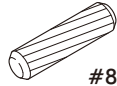
## -BODY SET



**x 9**

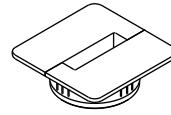


**x 9**



#8x35

**x 10**



**x 1**

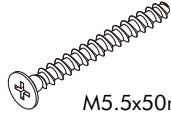


**x 9**



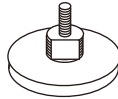
M4x16mm.

**x 8**



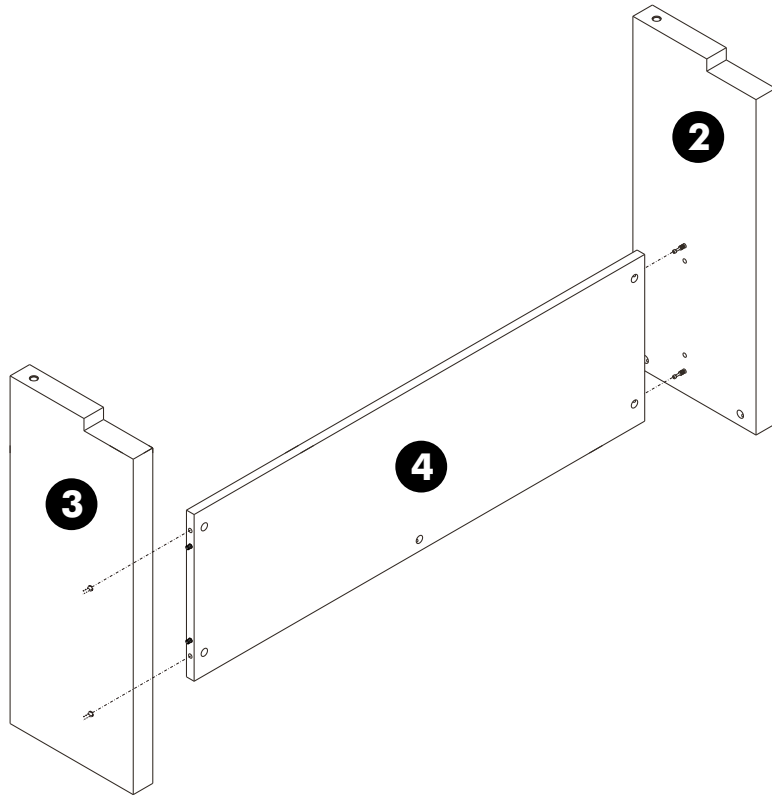
M5.5x50mm.

**x 4**

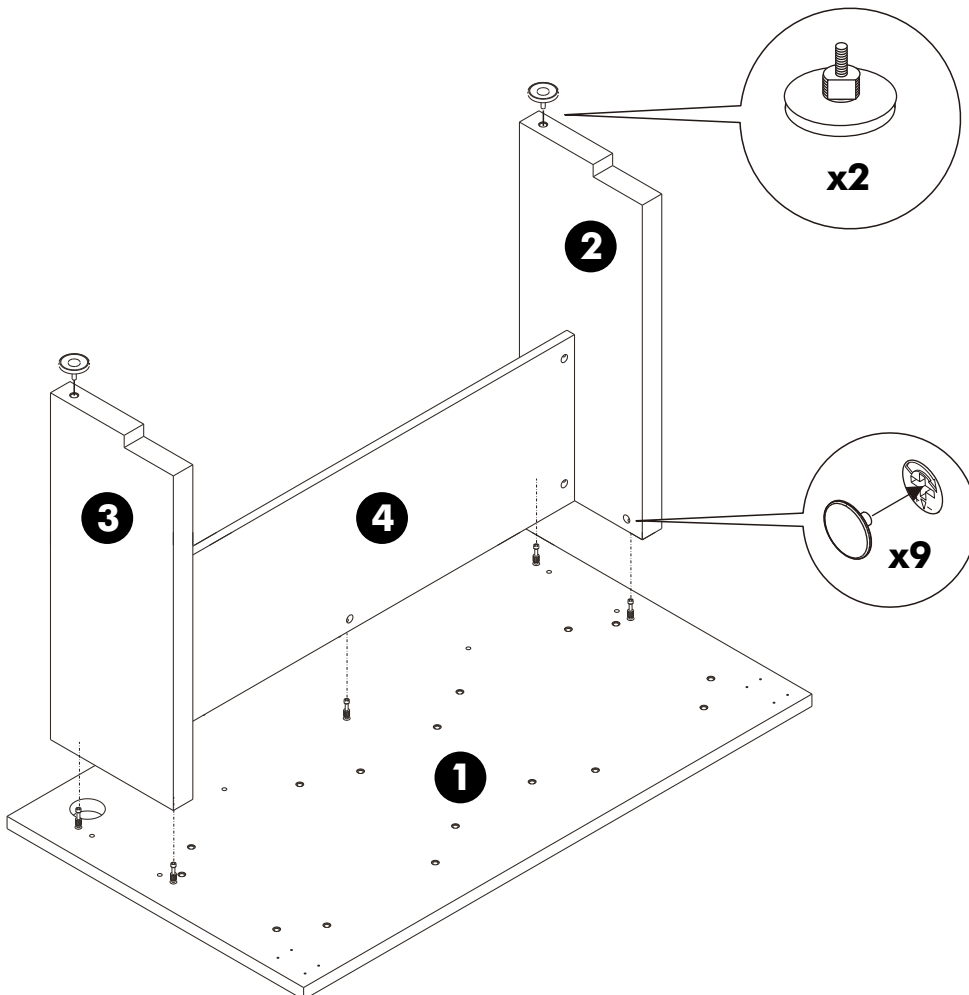


**x 4**

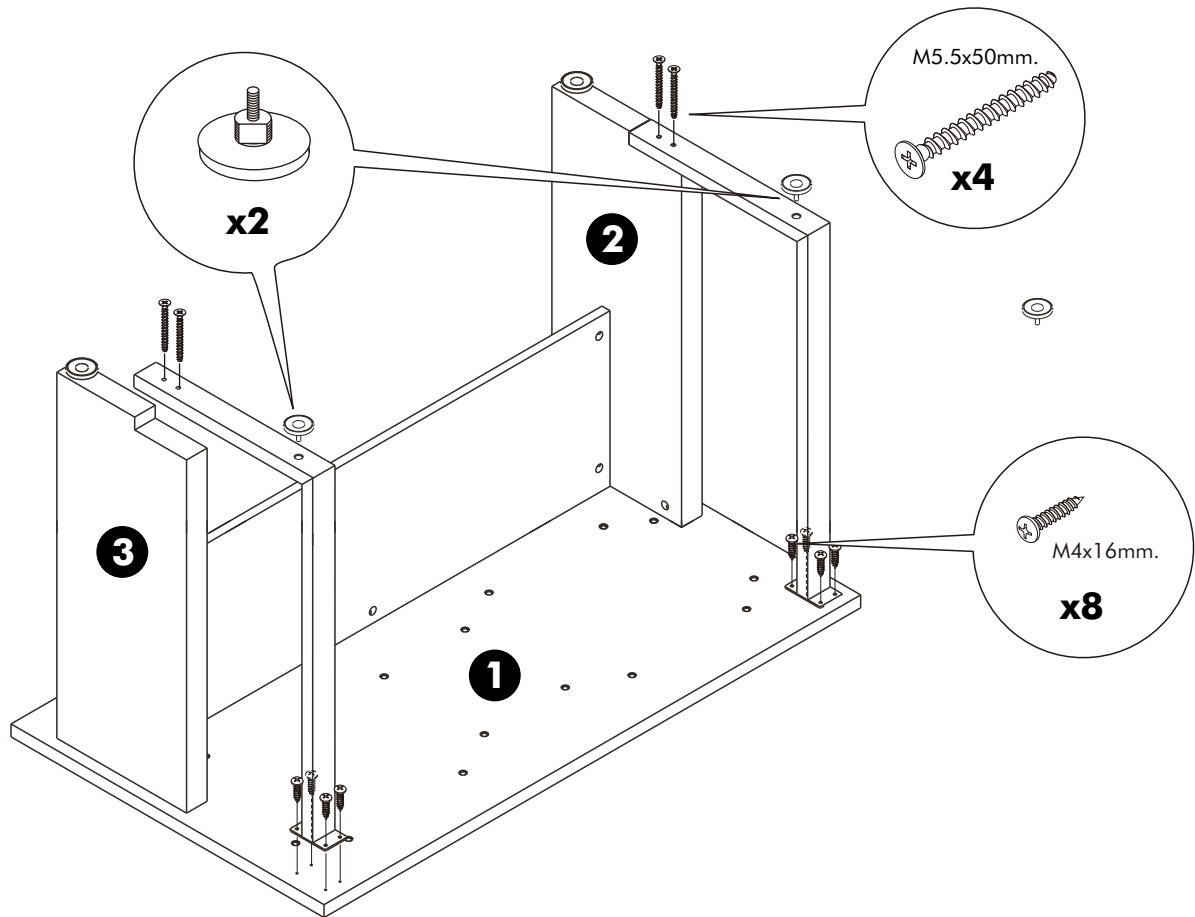
**1.**



**2.**



**3.**



**4.**

