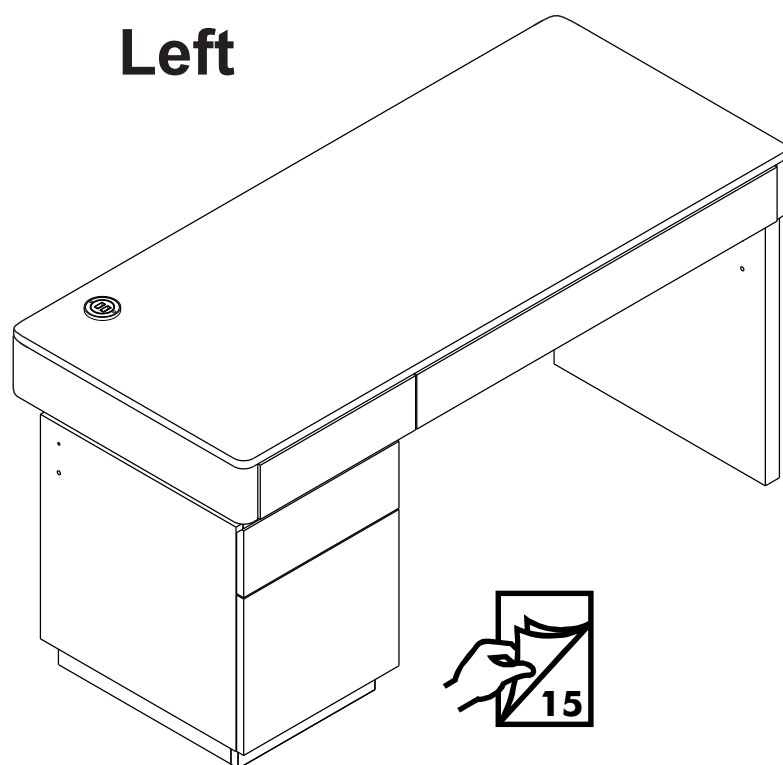
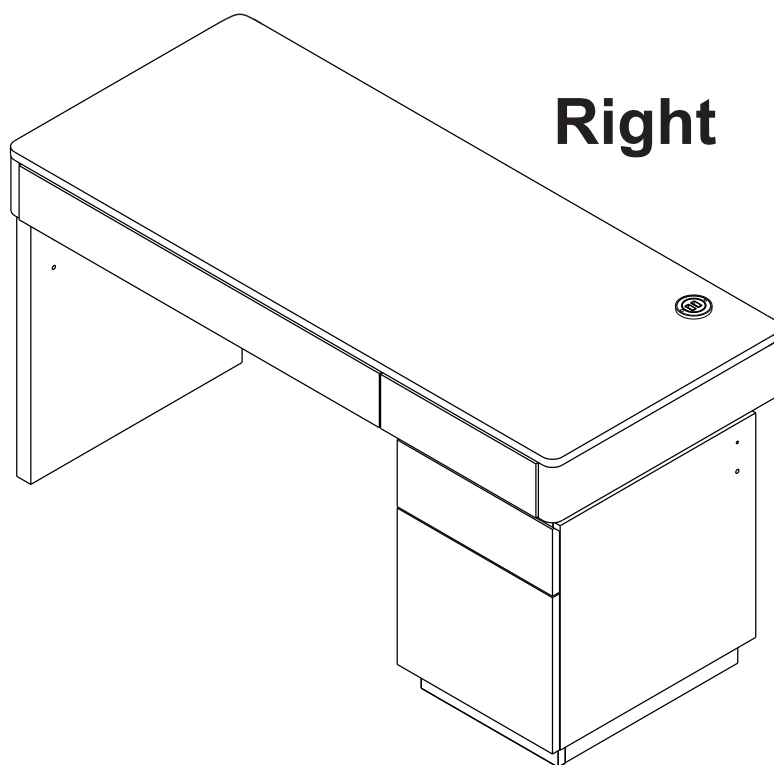


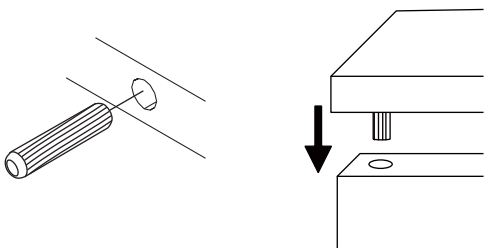
DALGO-P

Working table 140 cm.

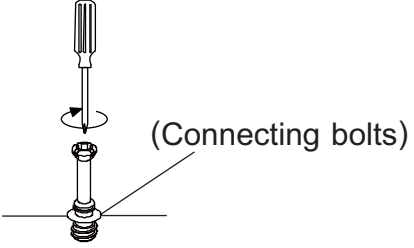


CONNECT SYSTEM

1

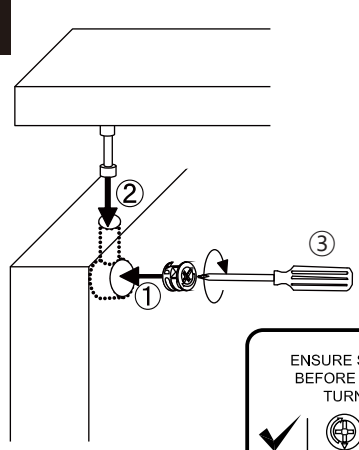


2





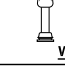
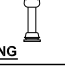


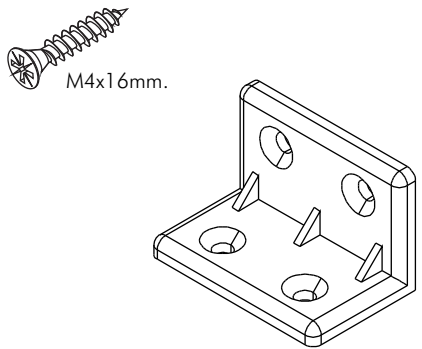
(Connecting bolts)

3

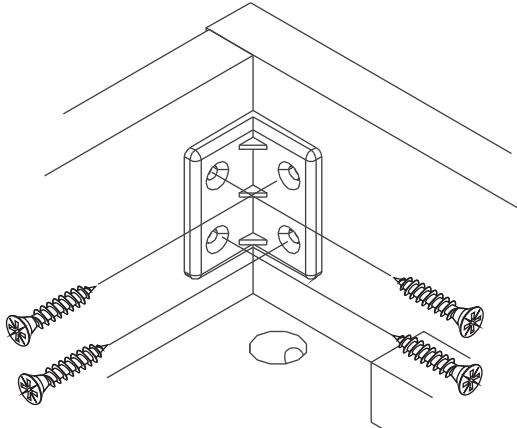


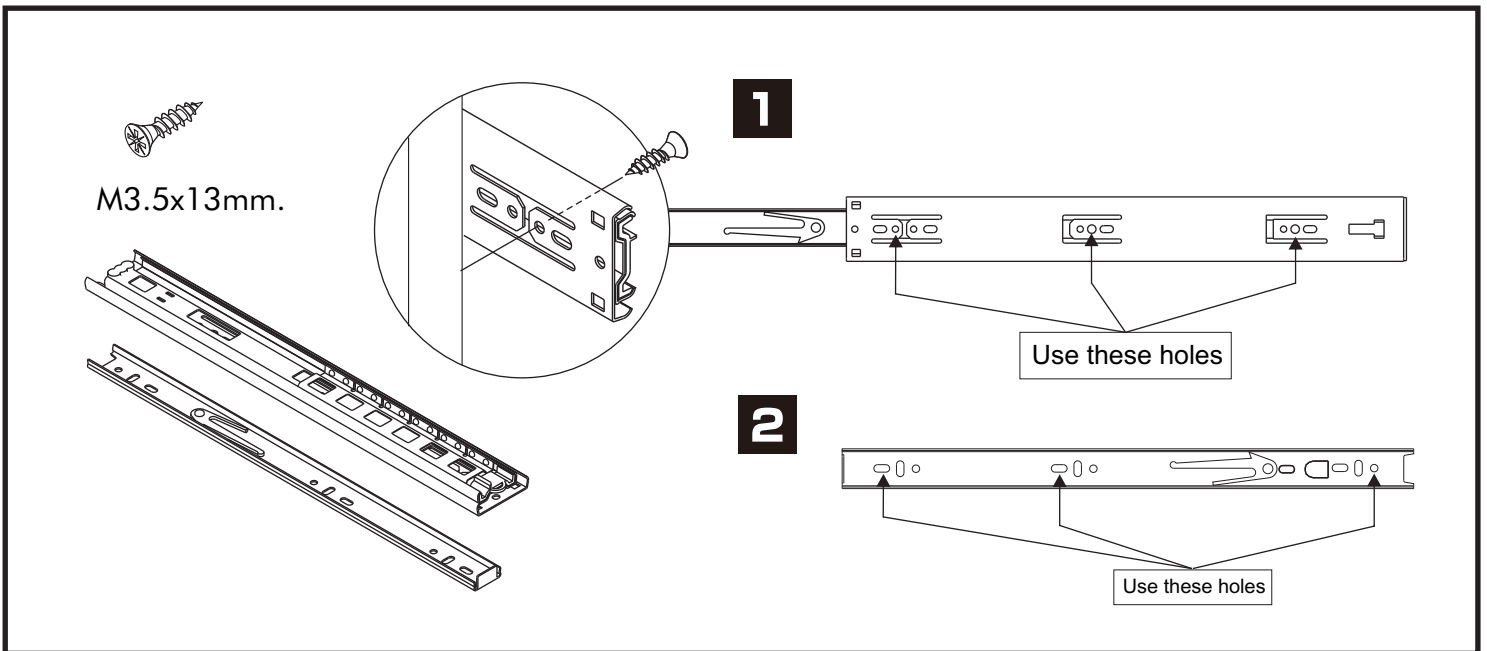
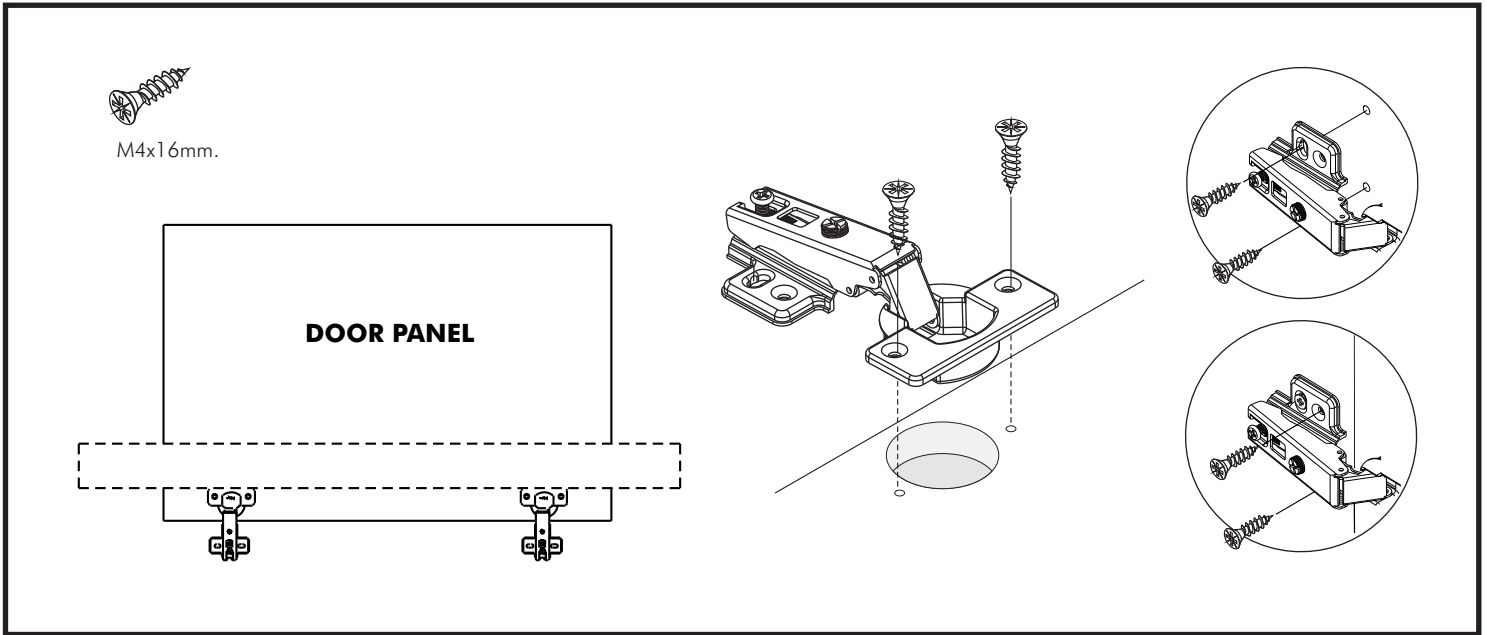
WHEN FITTING CAMS
ENSURE STARTING POSITION IS CORRECT
BEFORE YOU INSERT CONNECTING BOLT
TURN CLOCKWISE UNTIL SECURE

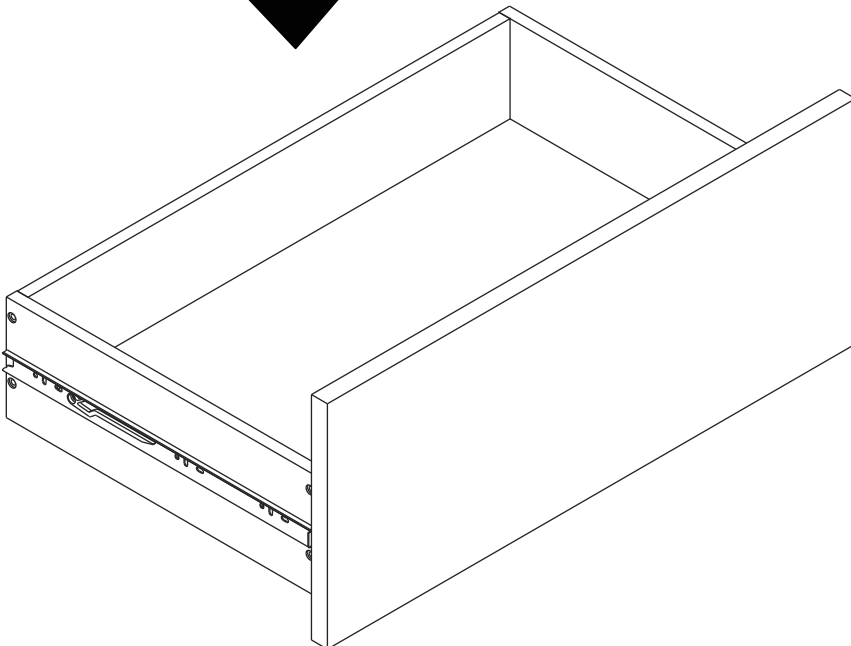
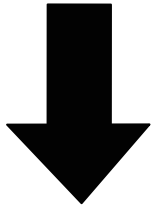
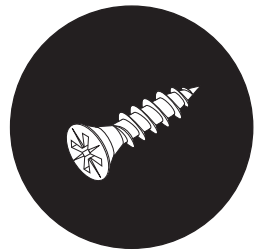
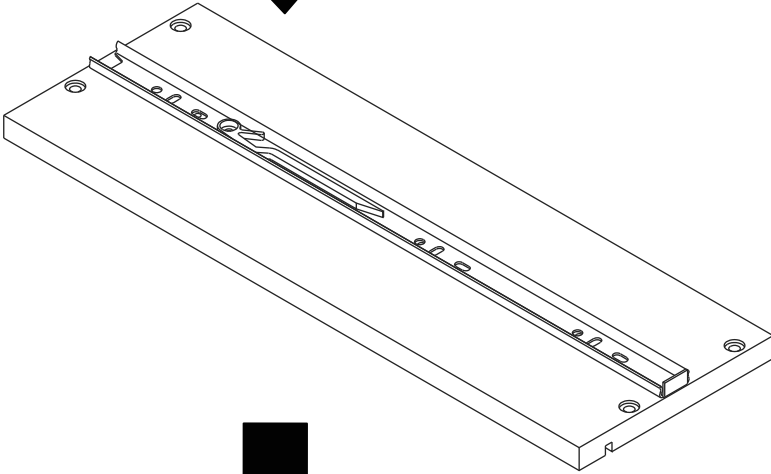
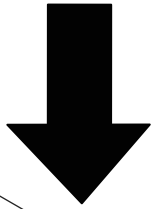
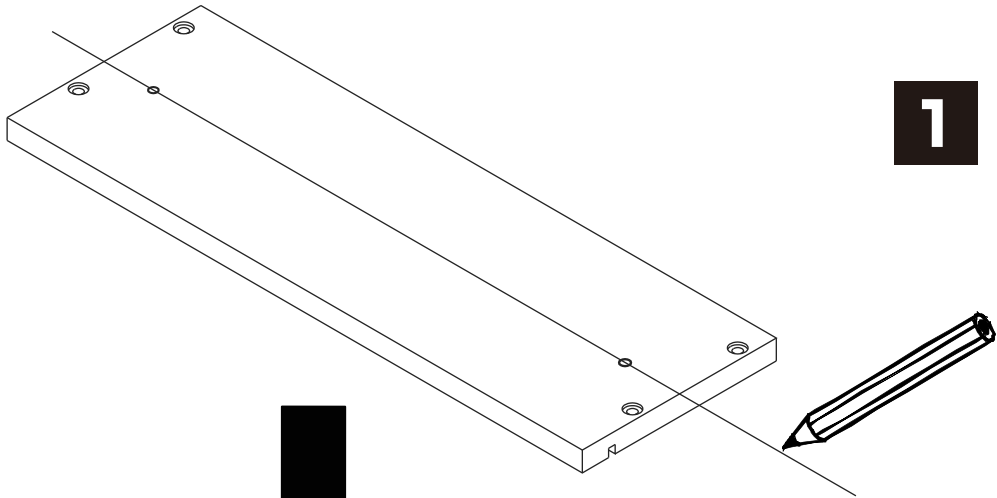
✓				✗
				
	CORRECT	WRONG		



M4x16mm.

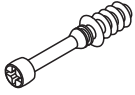






HARDWARE

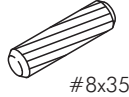
-BODY SET



x 32

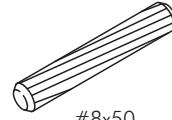


x 32



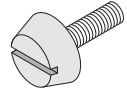
#8x35

x 36



#8x50

x 2

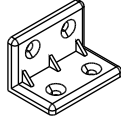


x 6



#5x18mm.

x 2



x 23



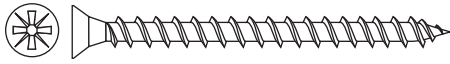
M4x16mm.

x 92



M4x40mm.

x 28



M4x50mm.

x 14

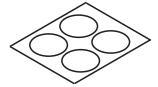


M4x25mm.

x 5



x 2



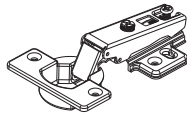
x 4

HARDWARE

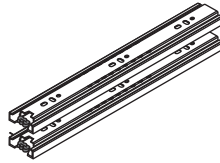
-DOOR SET



x 4



x 2



x 3



M4x16mm.

x 12

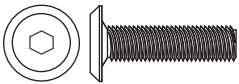


M3.5x13mm.

x 36

HARDWARE

-DRAWER SET

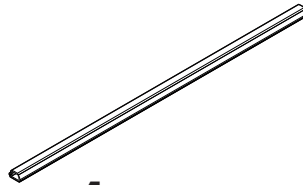


M6x23mm.

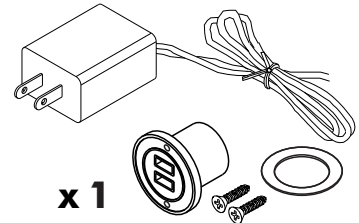
x 2

HARDWARE

-LAMP SET



x 1

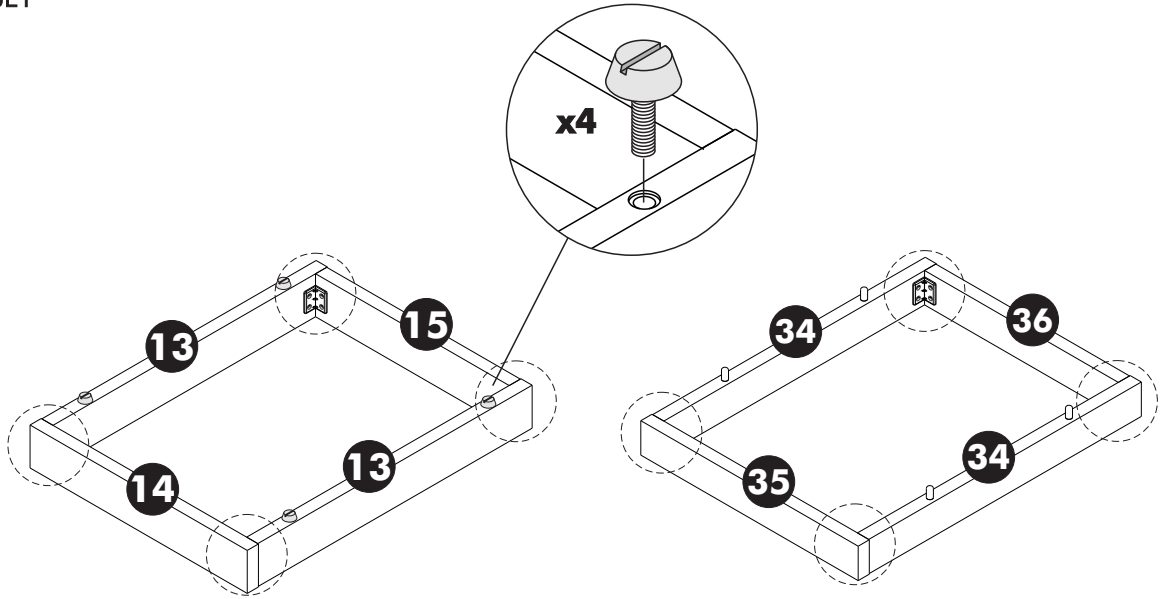


x 1

ASSEMBLY

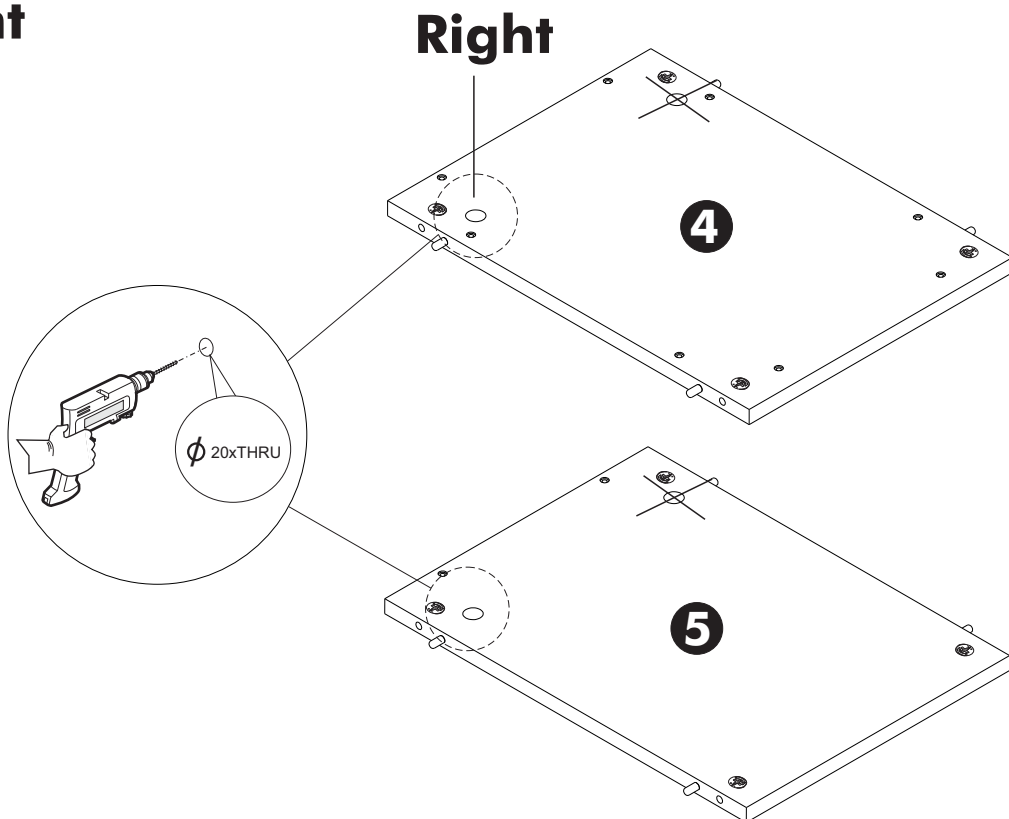
-BODY SET

1.



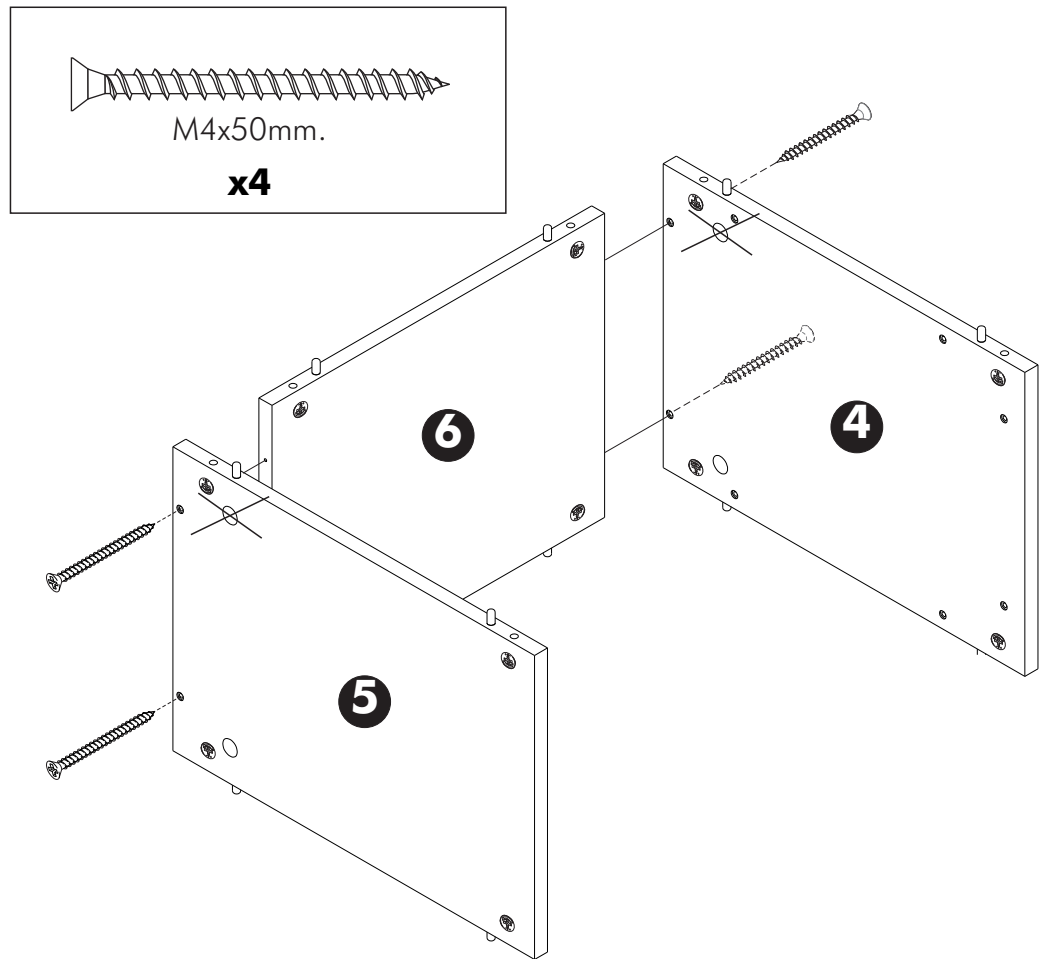
2.

****Right**



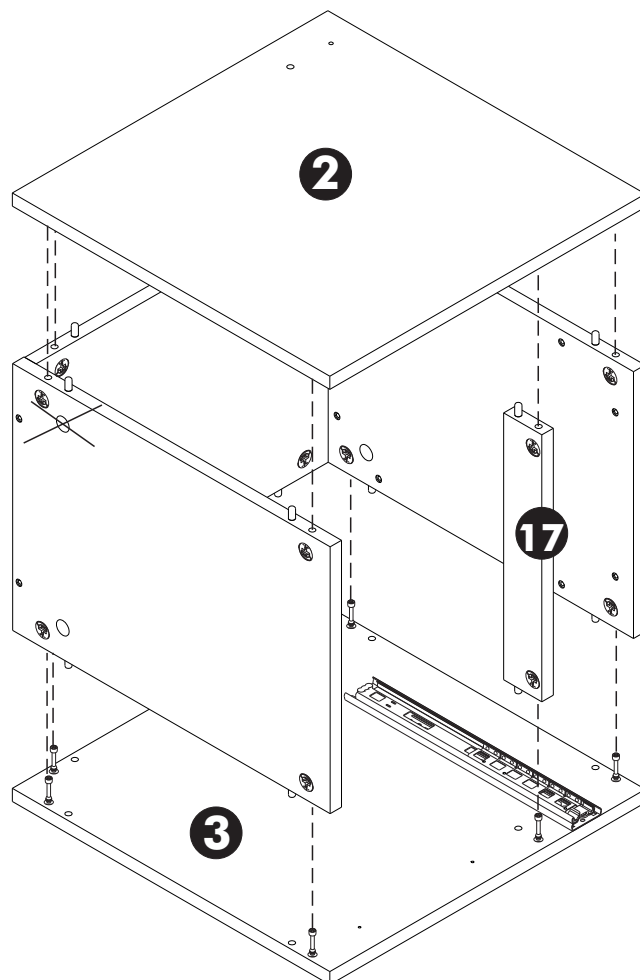
3.

****Right**



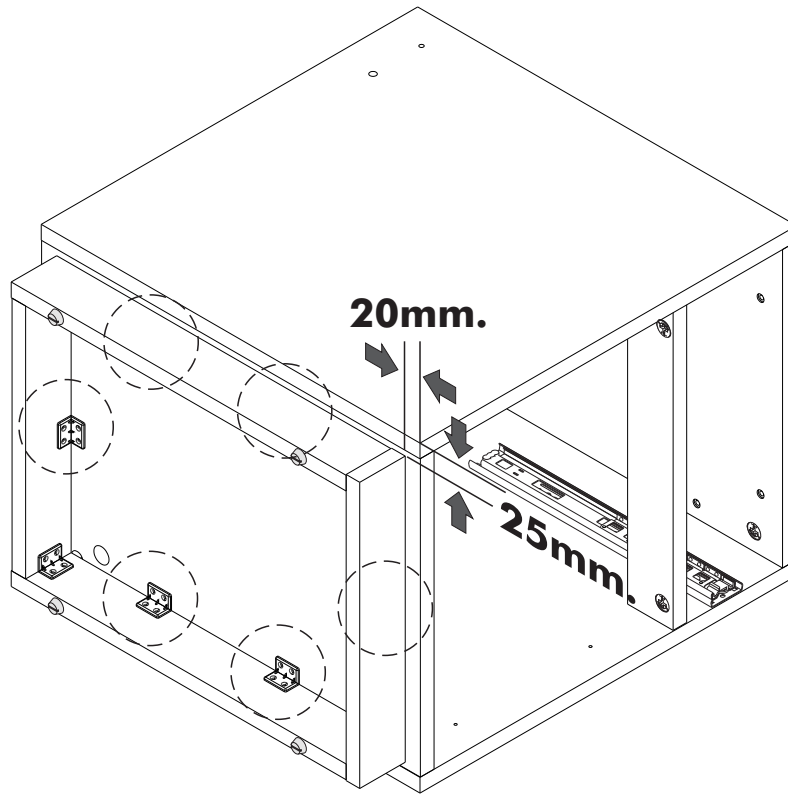
4.

****Right**



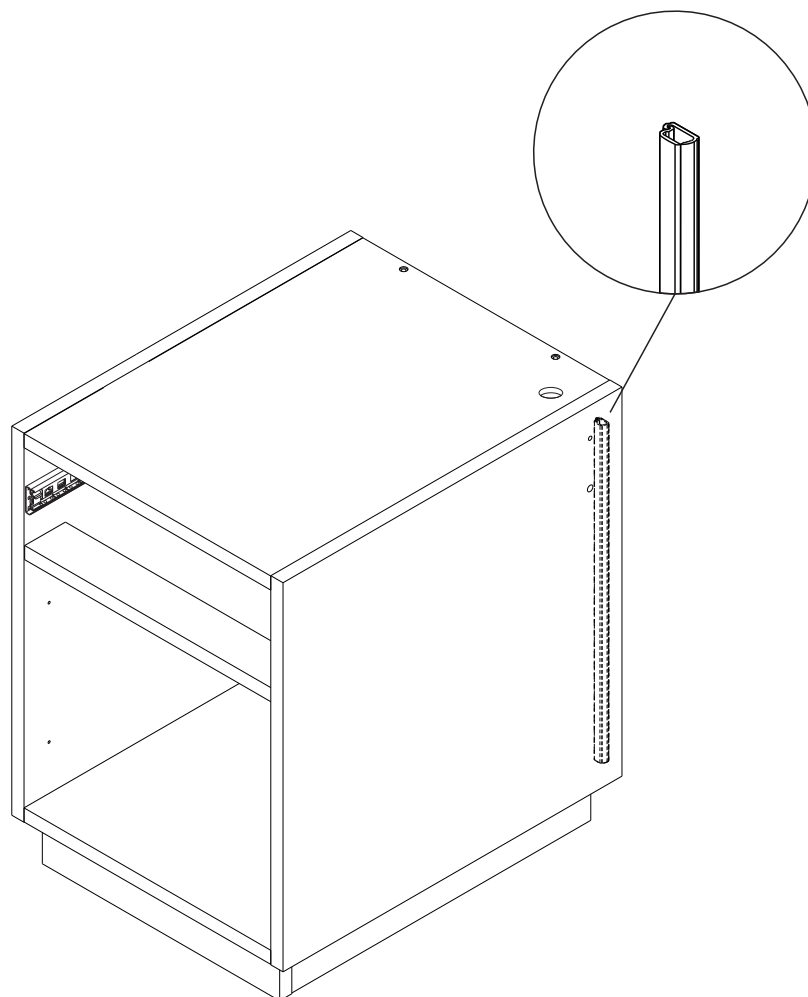
5.

****Right**



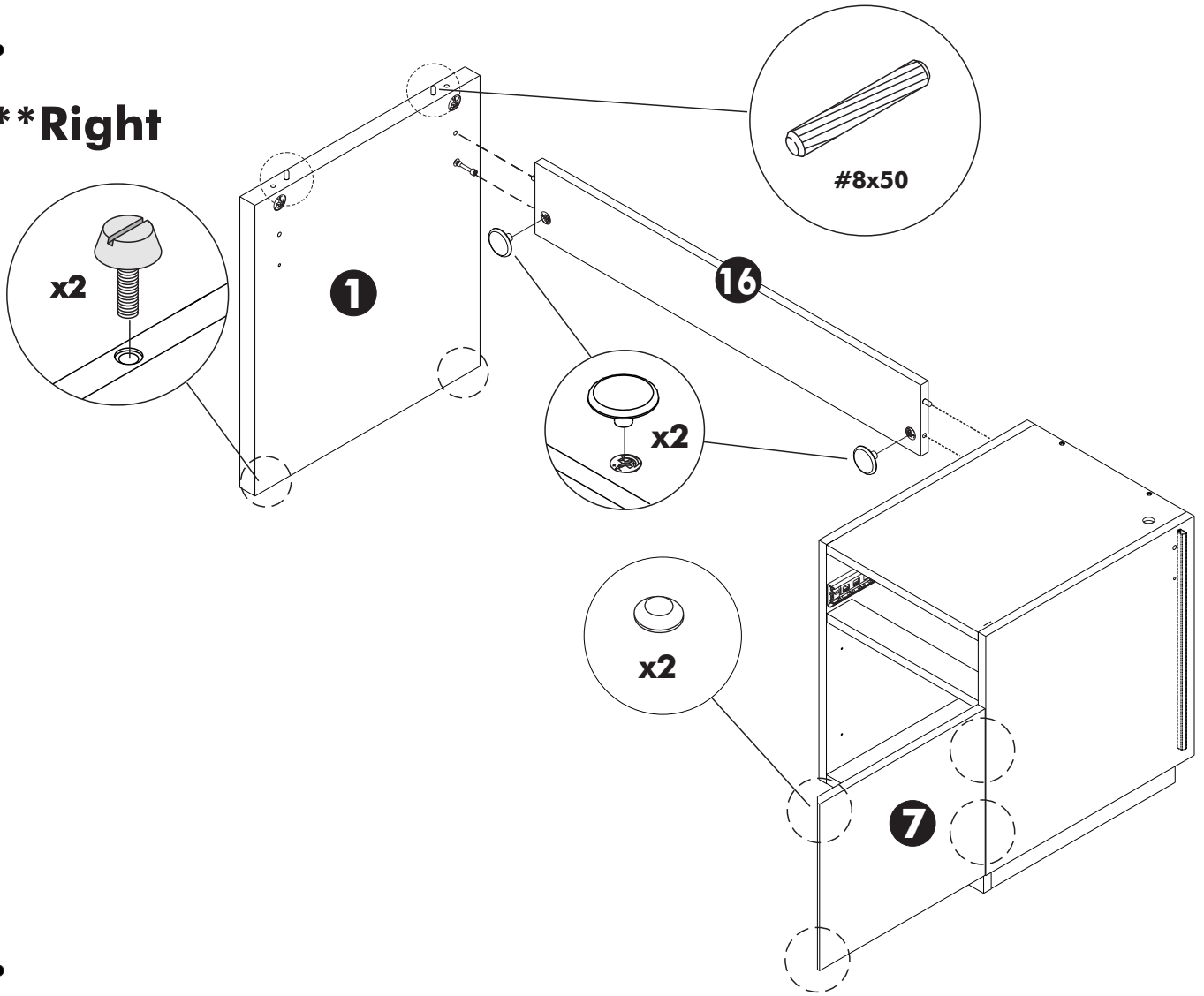
6.

****Right**



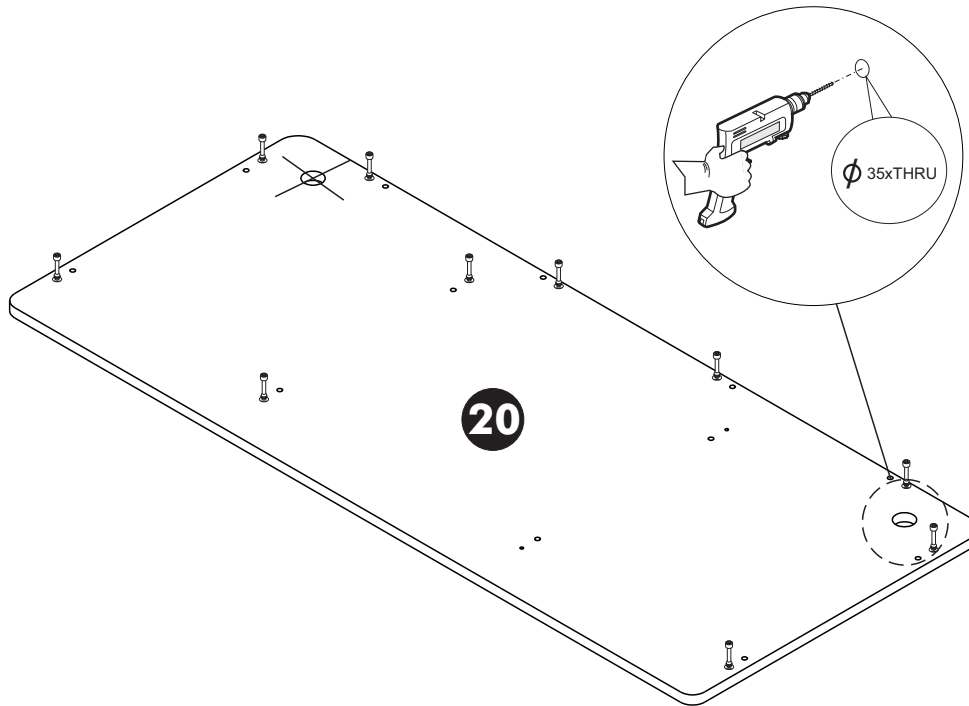
7.

****Right**



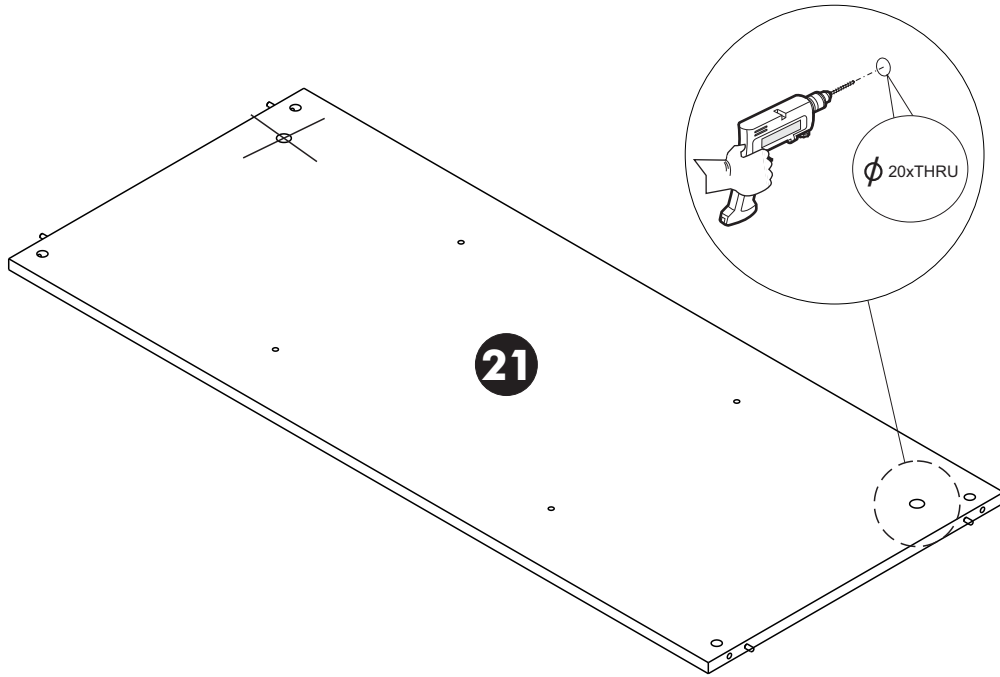
8.

****Right**



9.

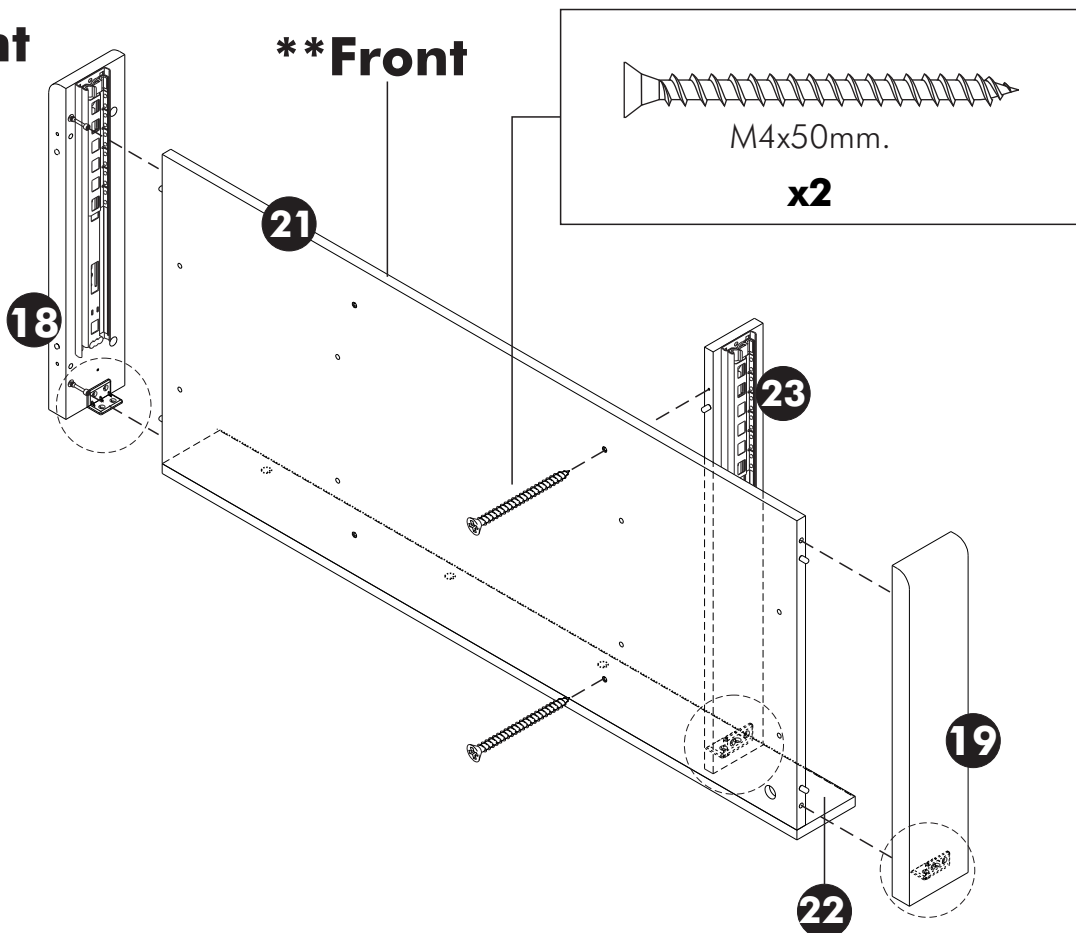
****Right**



10.

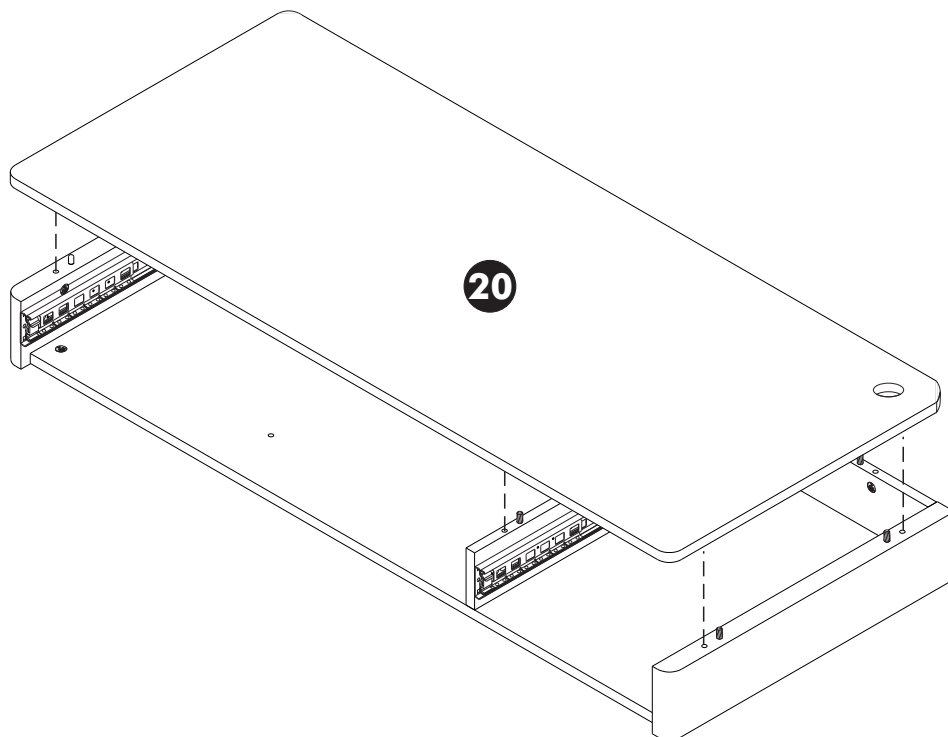
****Right**

****Front**



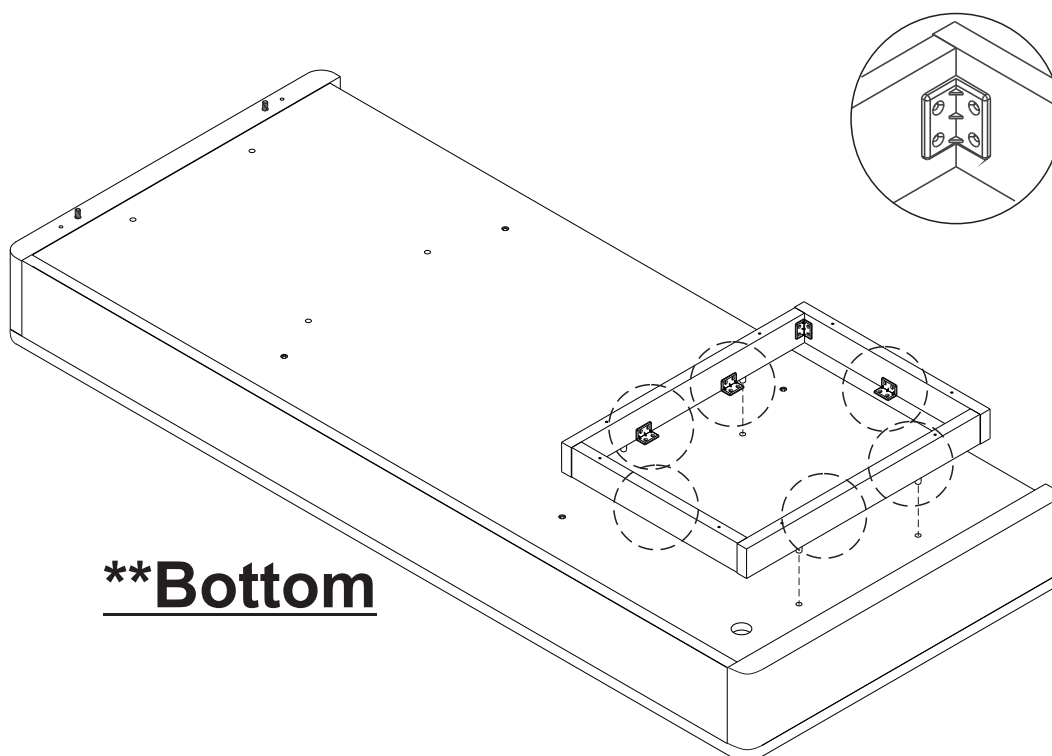
11.

****Right**



12.

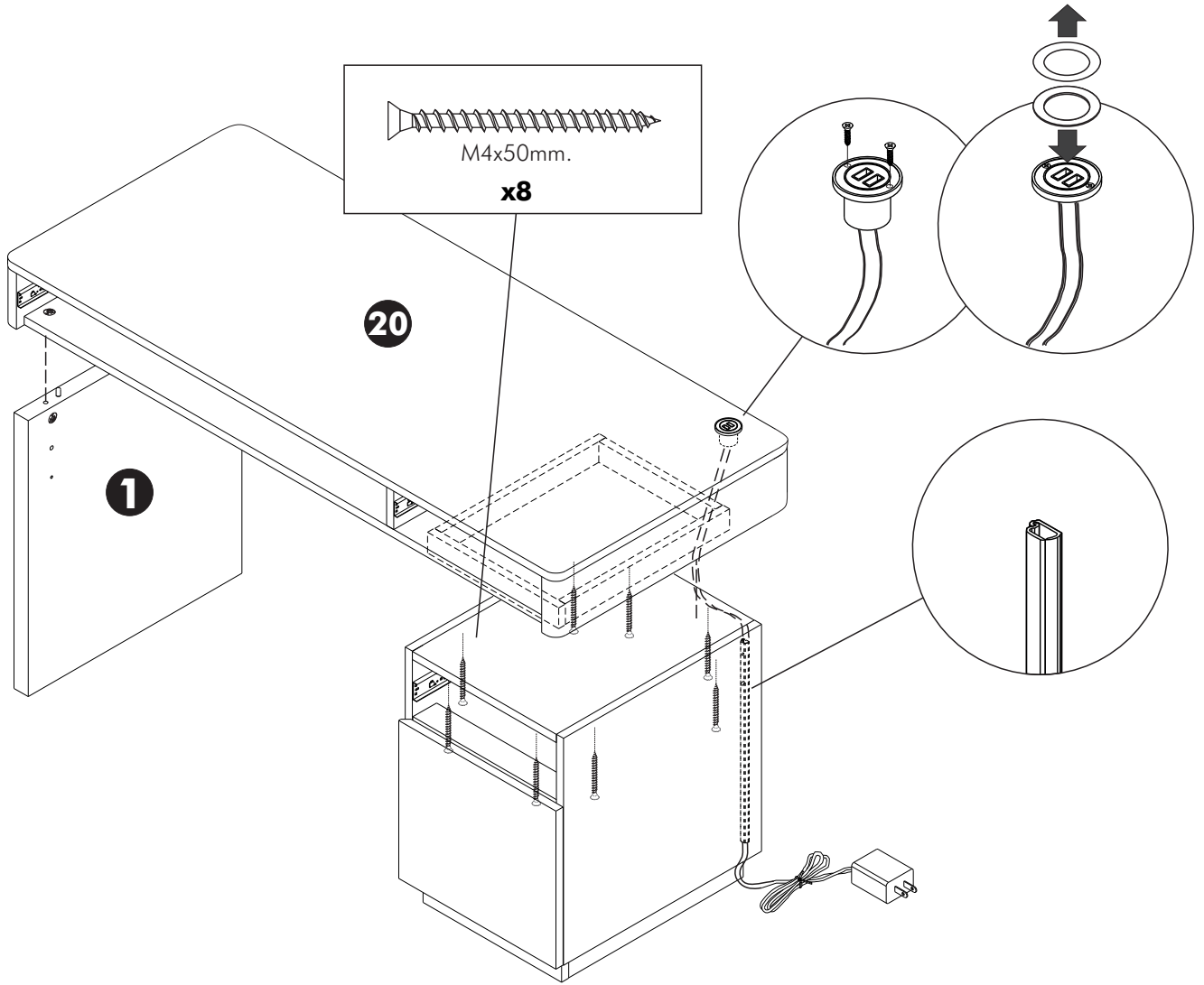
****Right**



****Bottom**

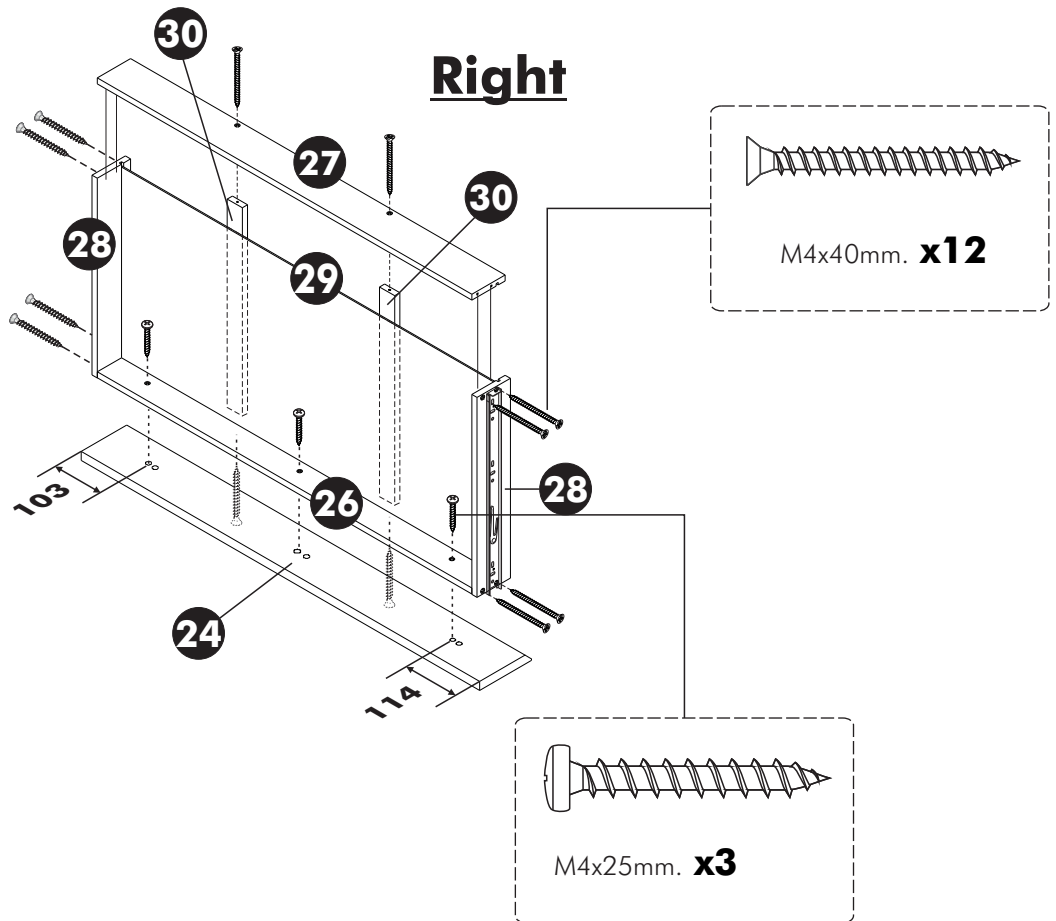
13.

****Right**



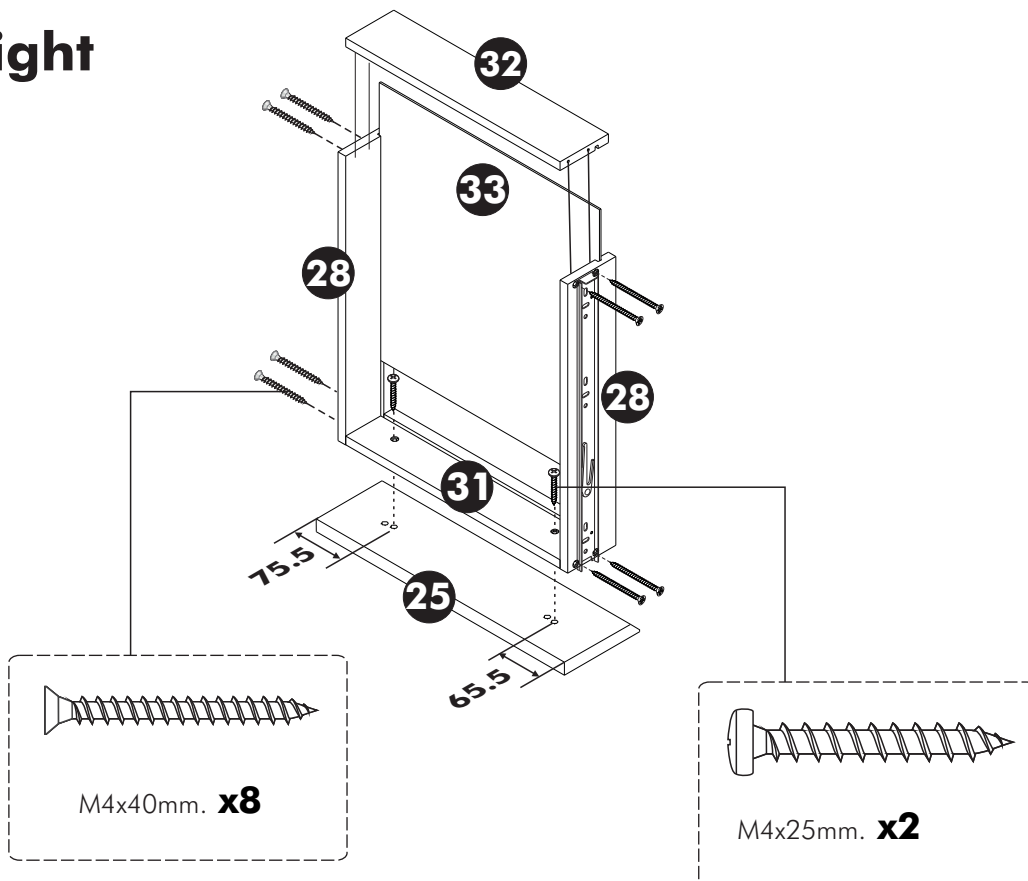
14.

****Right**



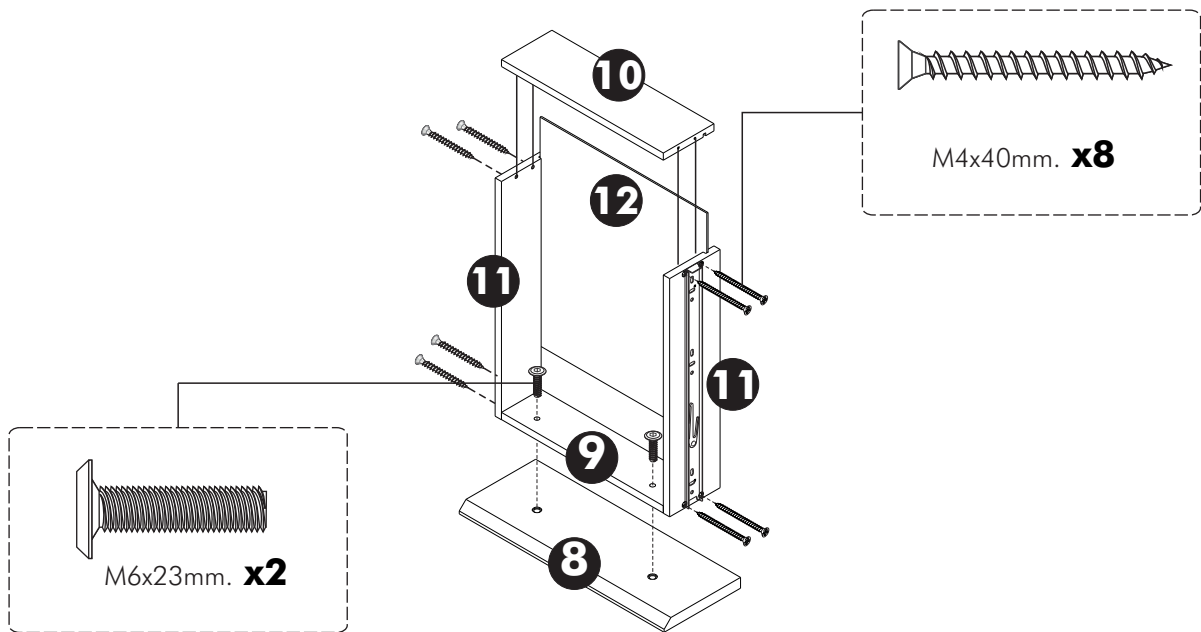
15.

****Right**



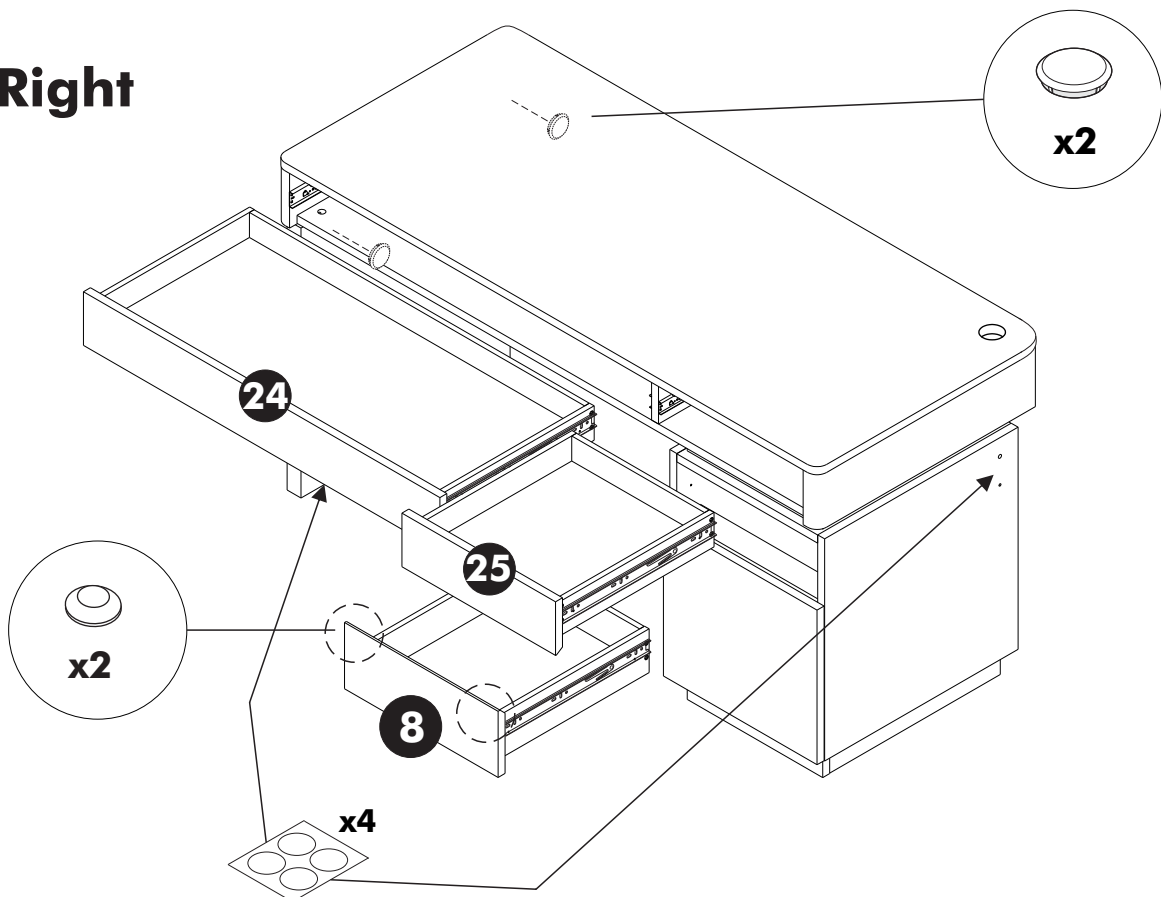
16.

****Right**



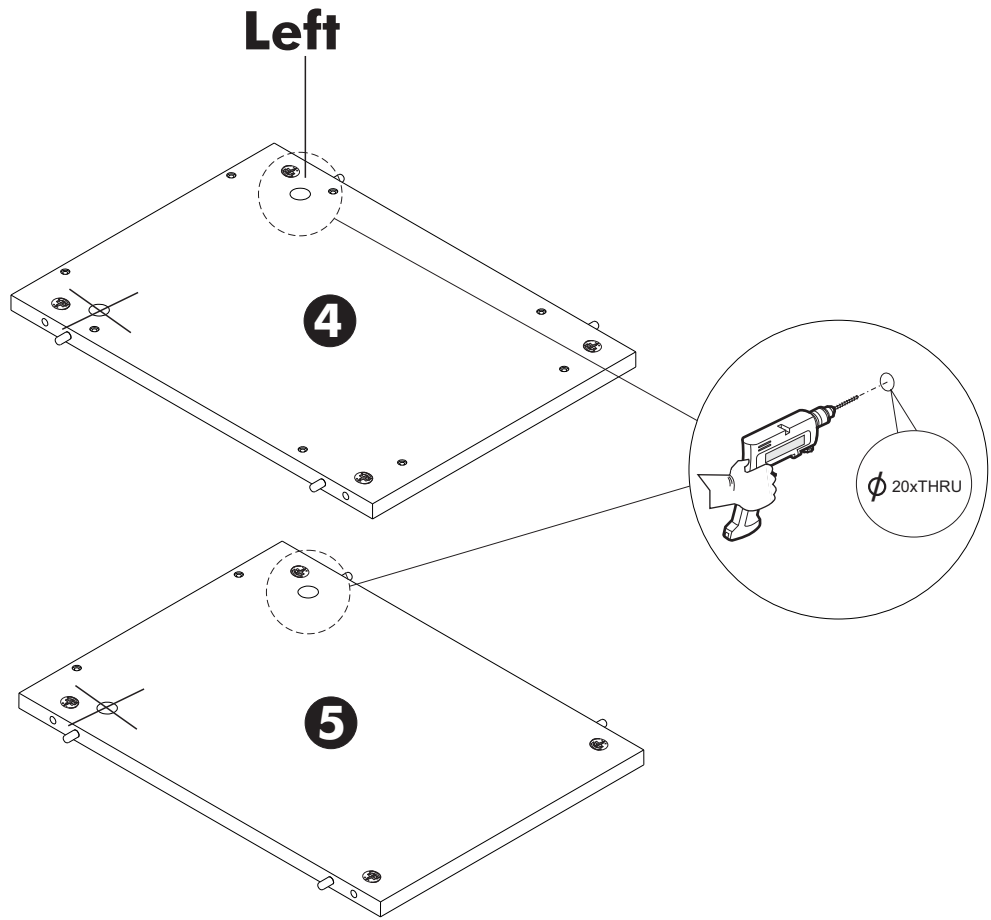
17.

****Right**



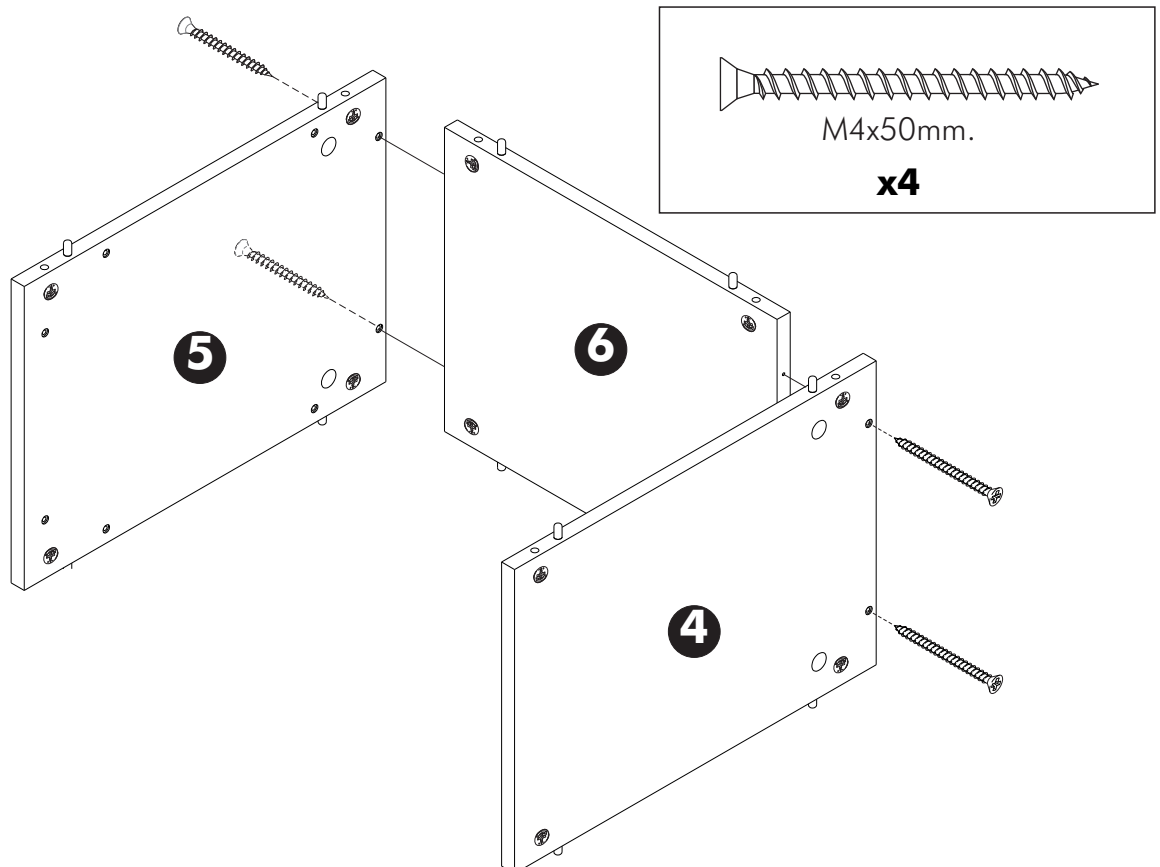
2.

****Left**



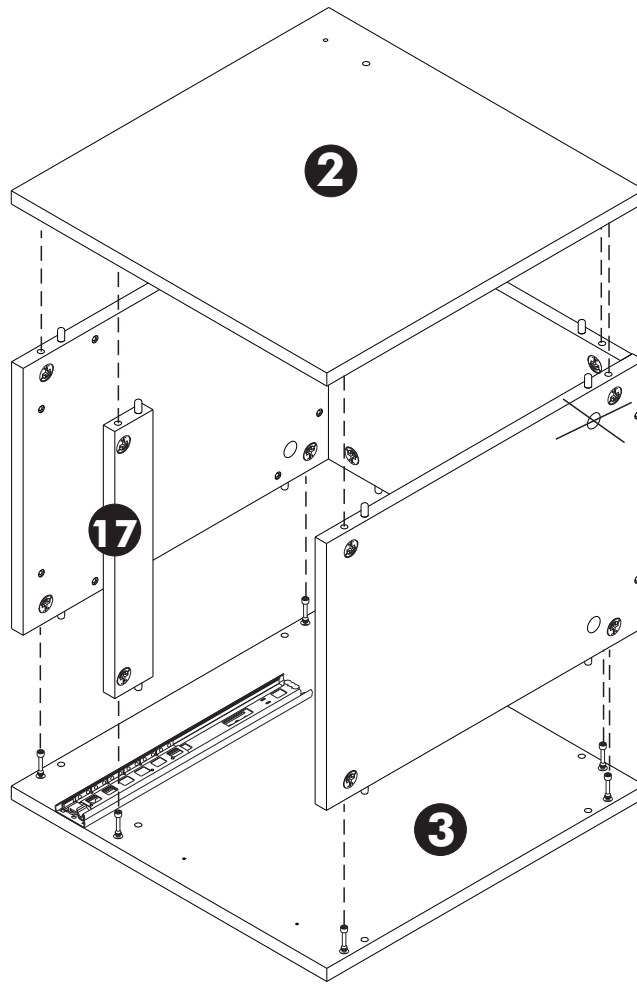
3.

****Left**



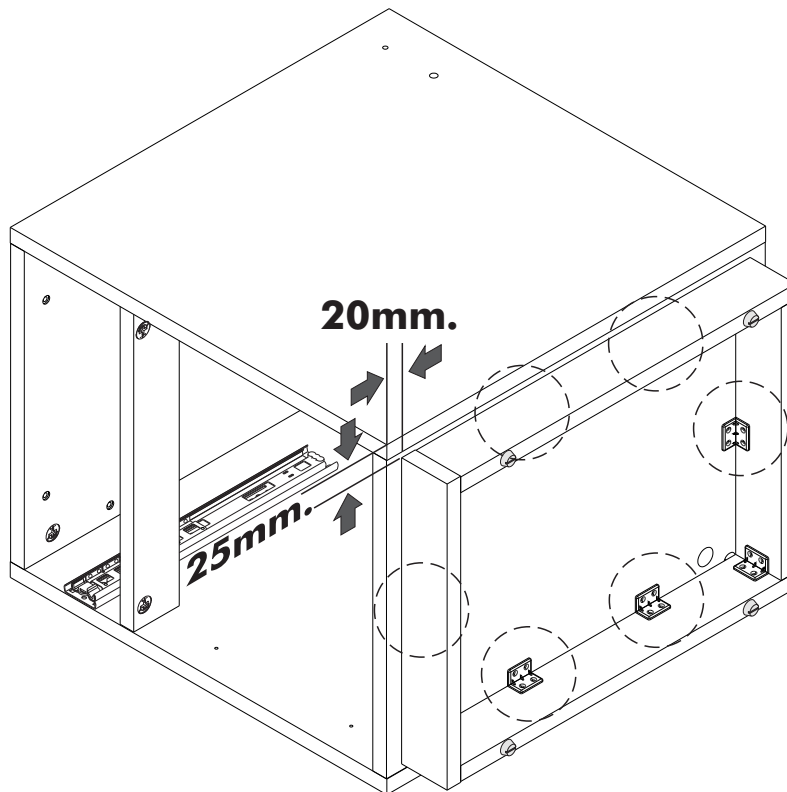
2.

****Left**



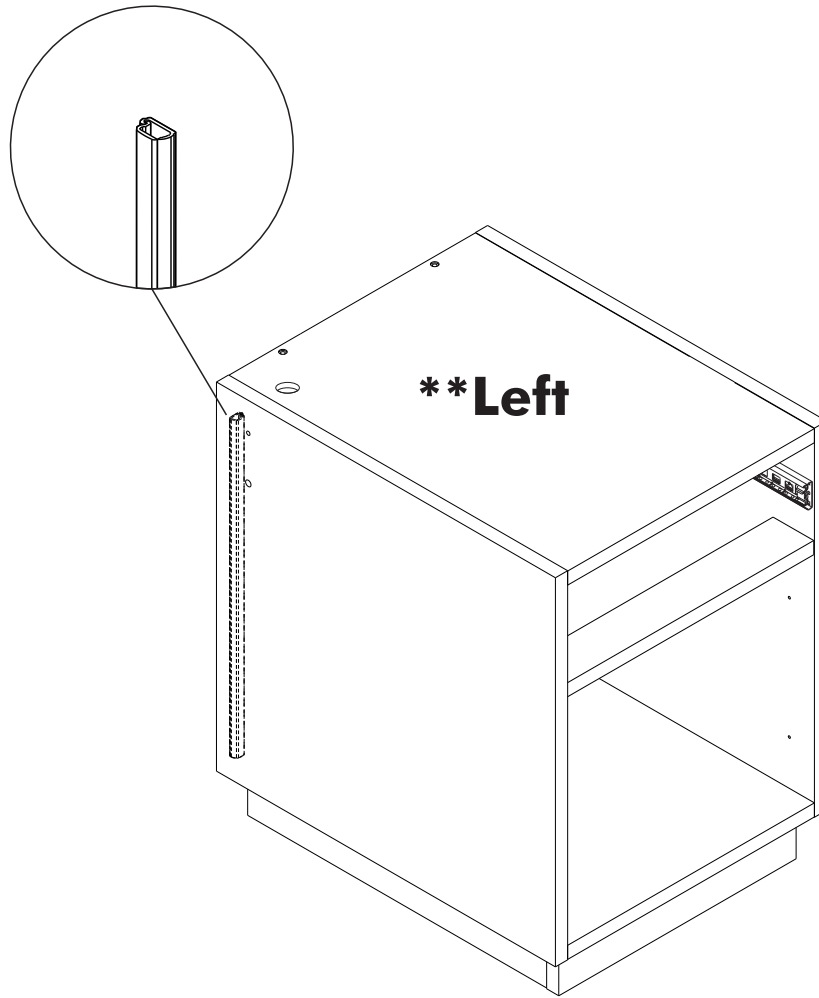
3.

****Left**



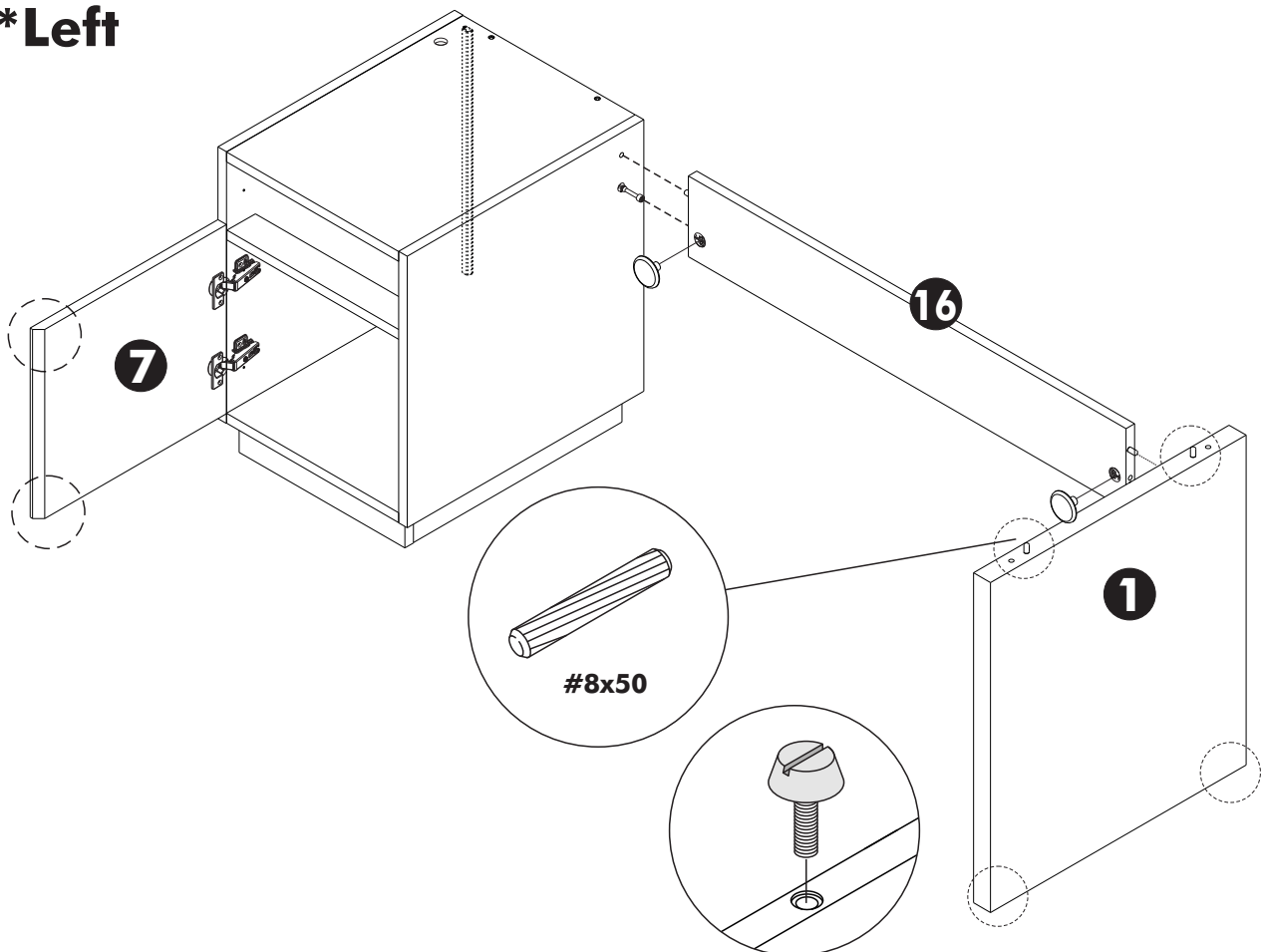
4.

****Left**



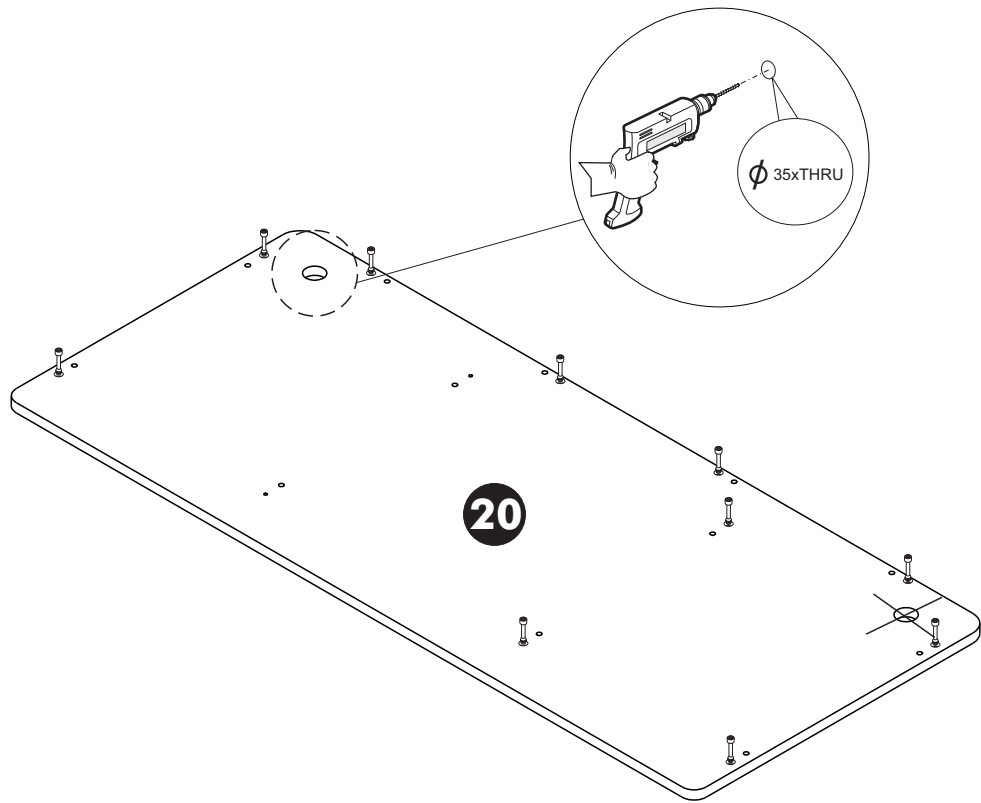
5.

****Left**



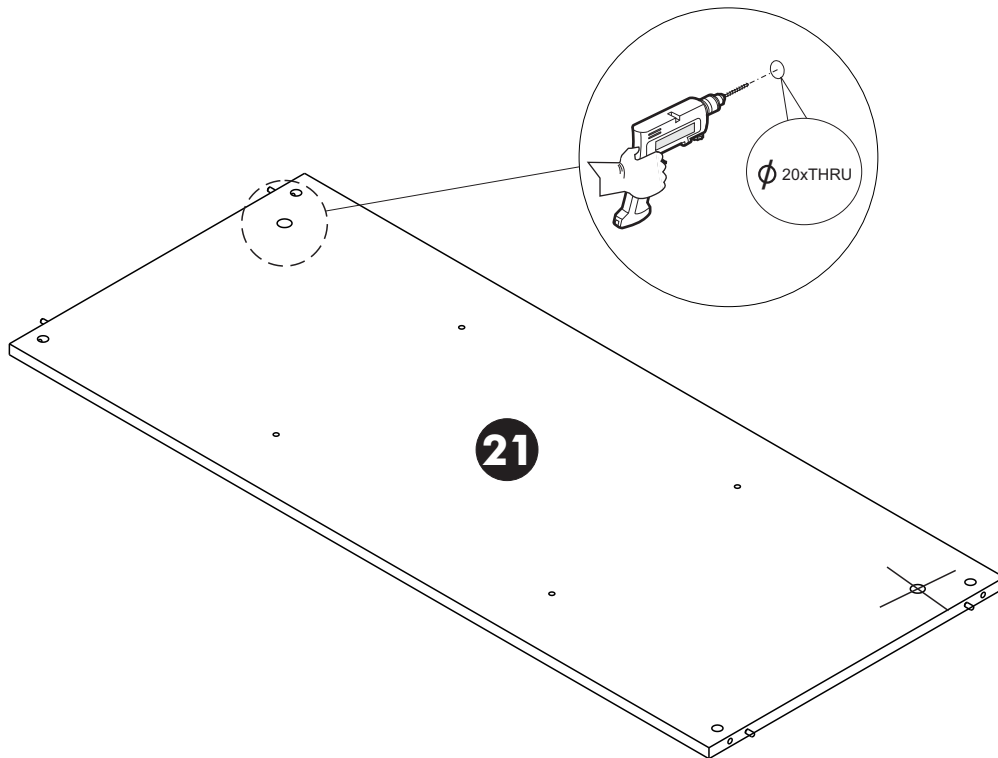
6.

****Left**



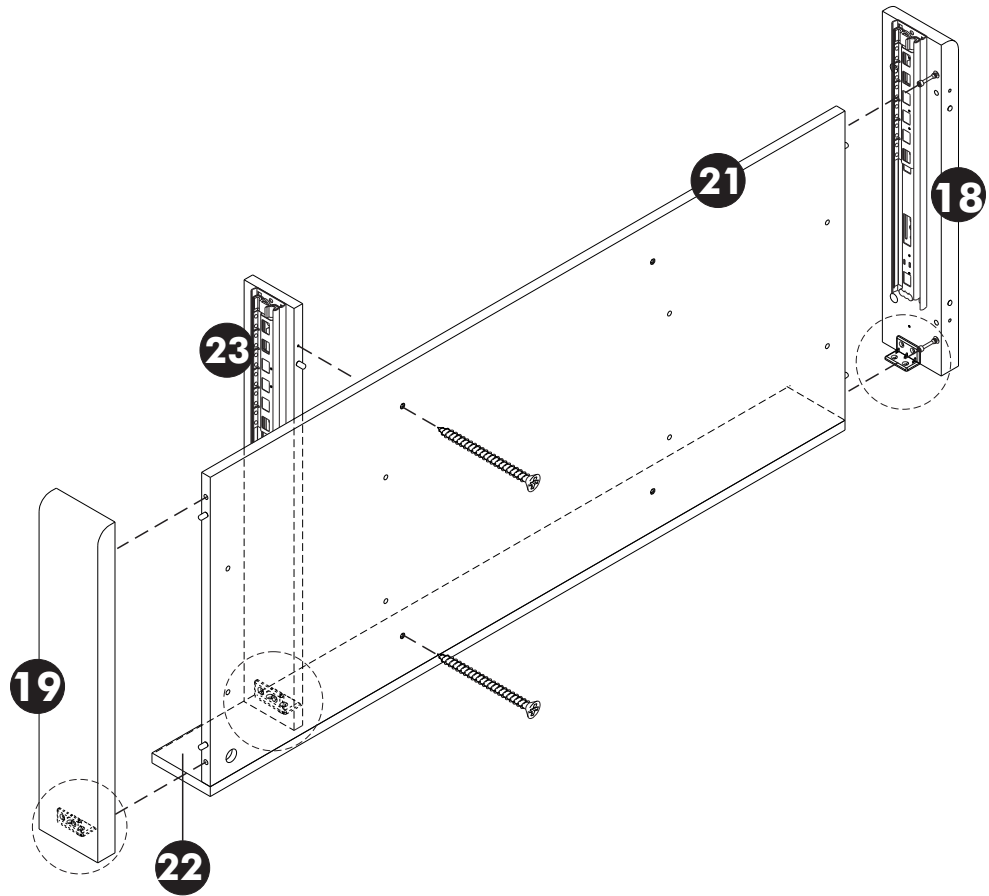
7.

****Left**



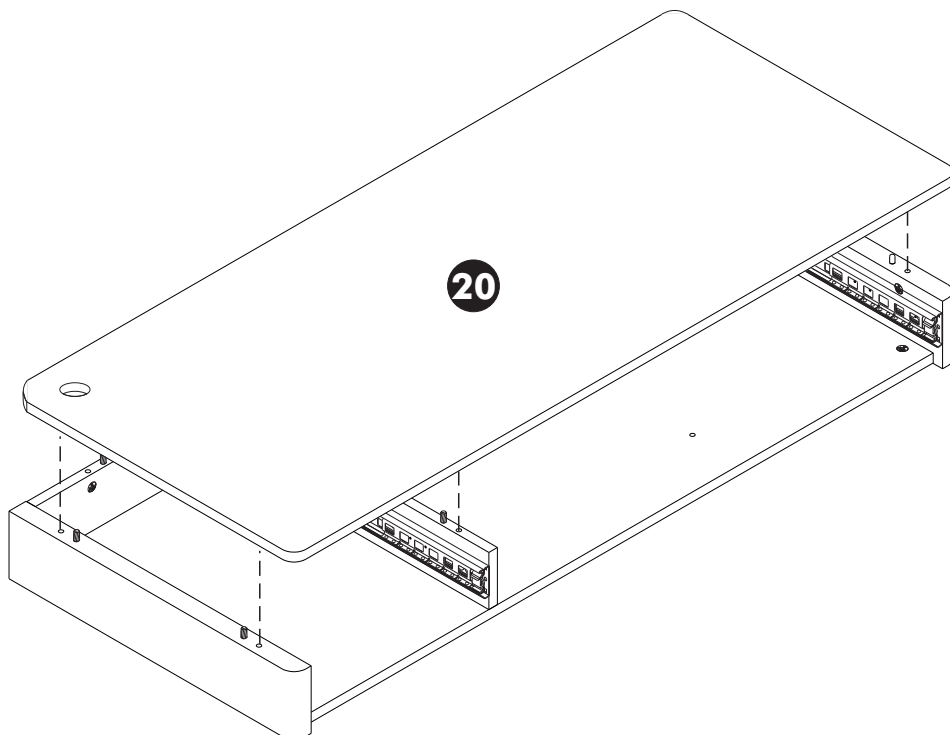
8.

****Left**



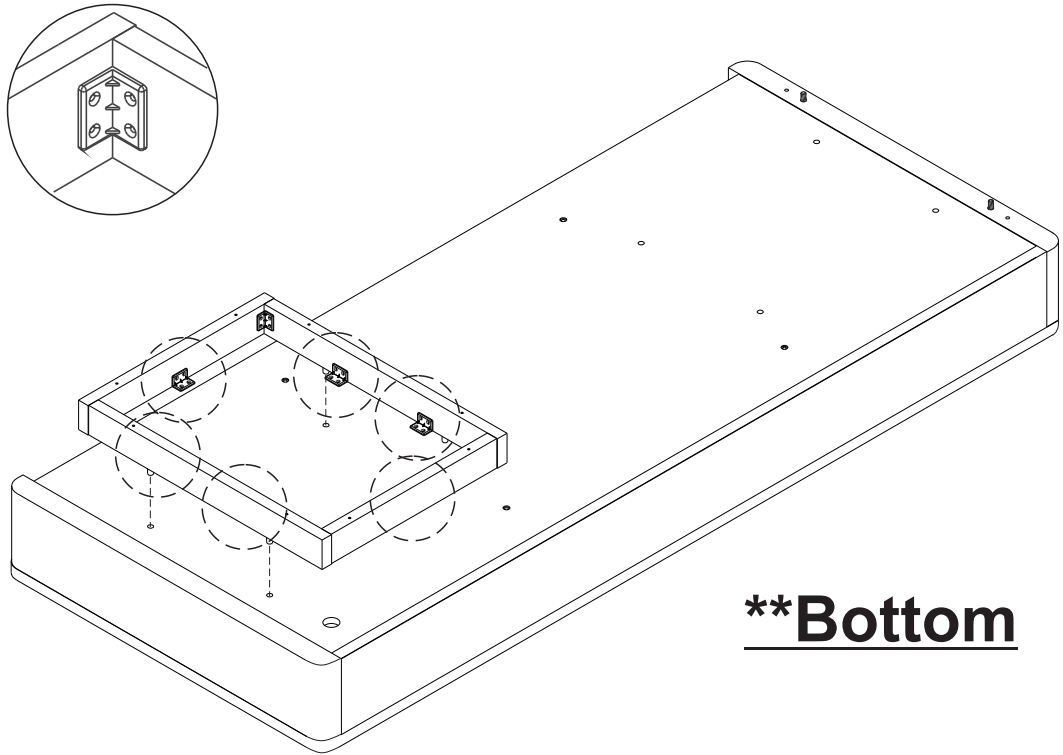
9.

****Left**



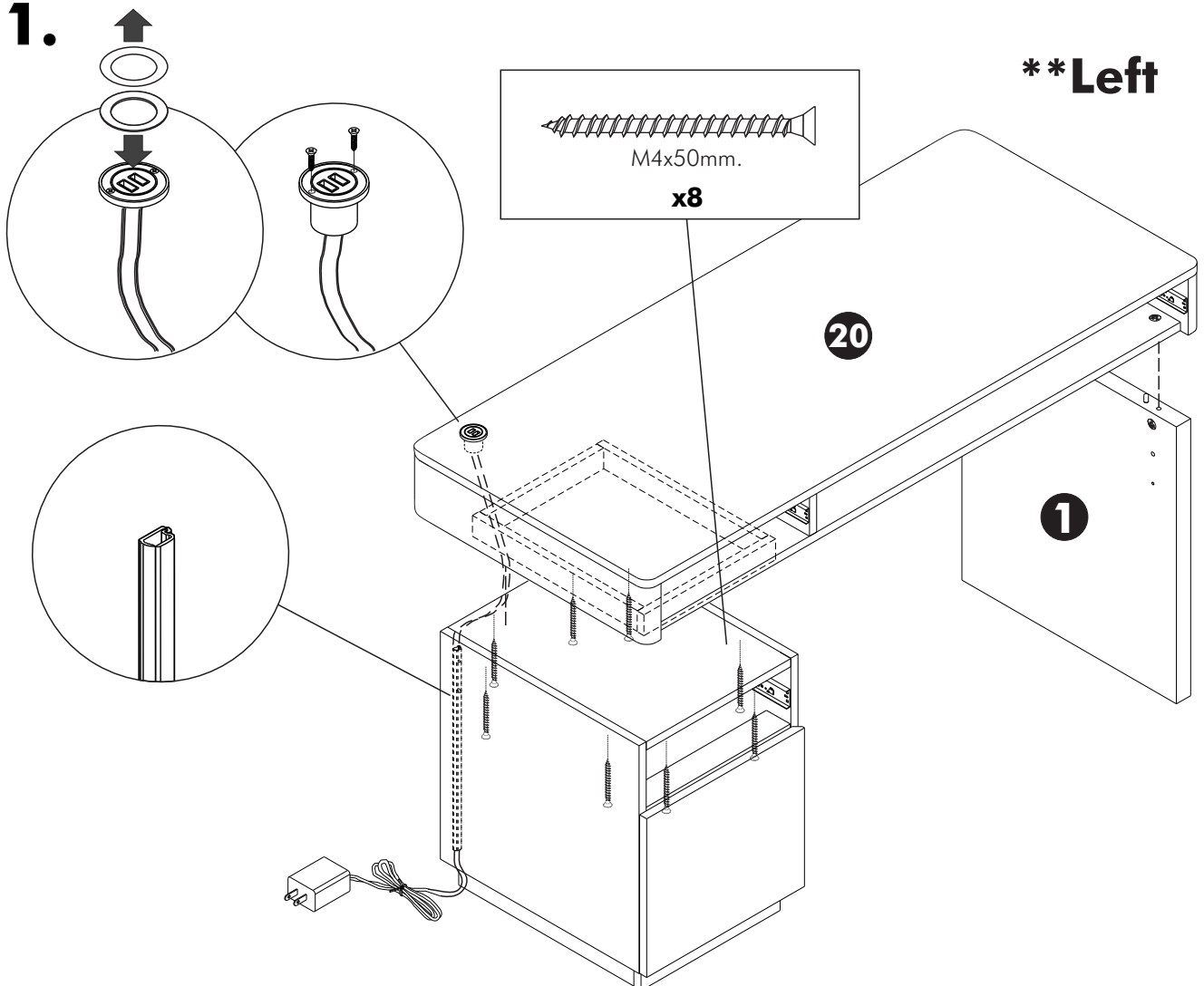
10.

****Left**



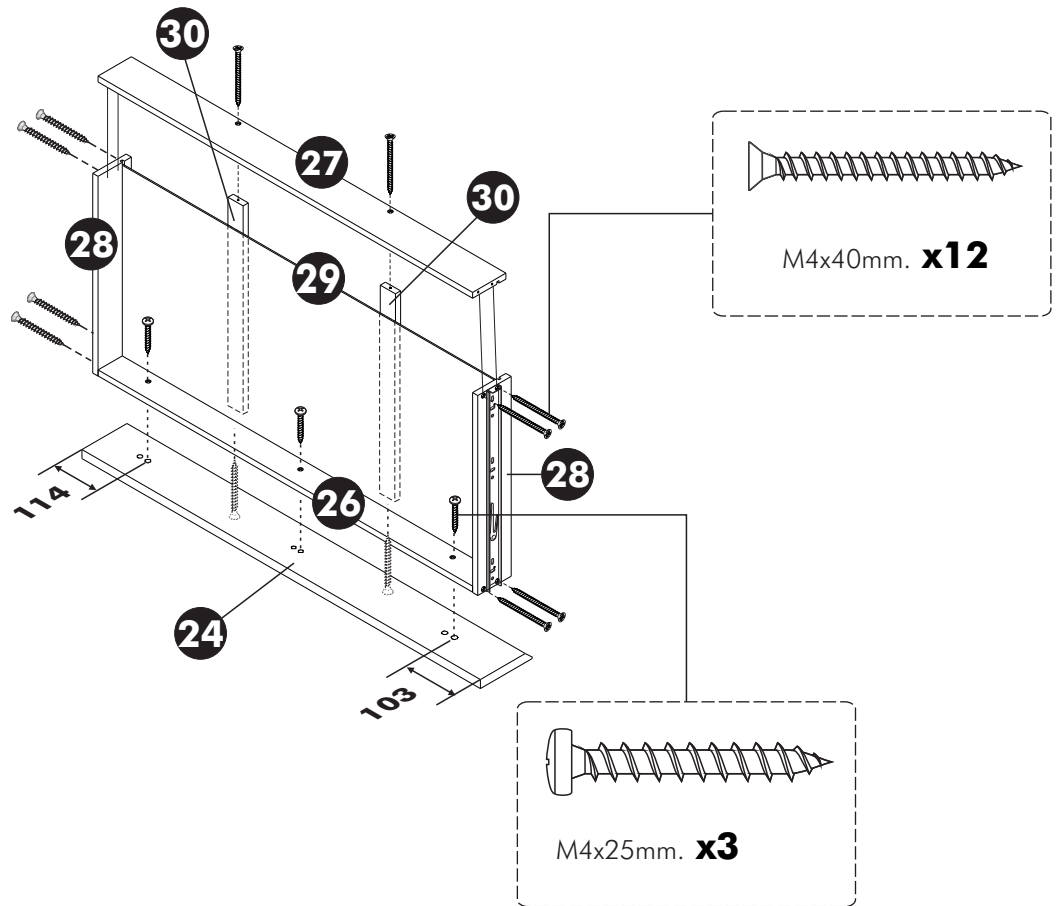
11.

****Left**



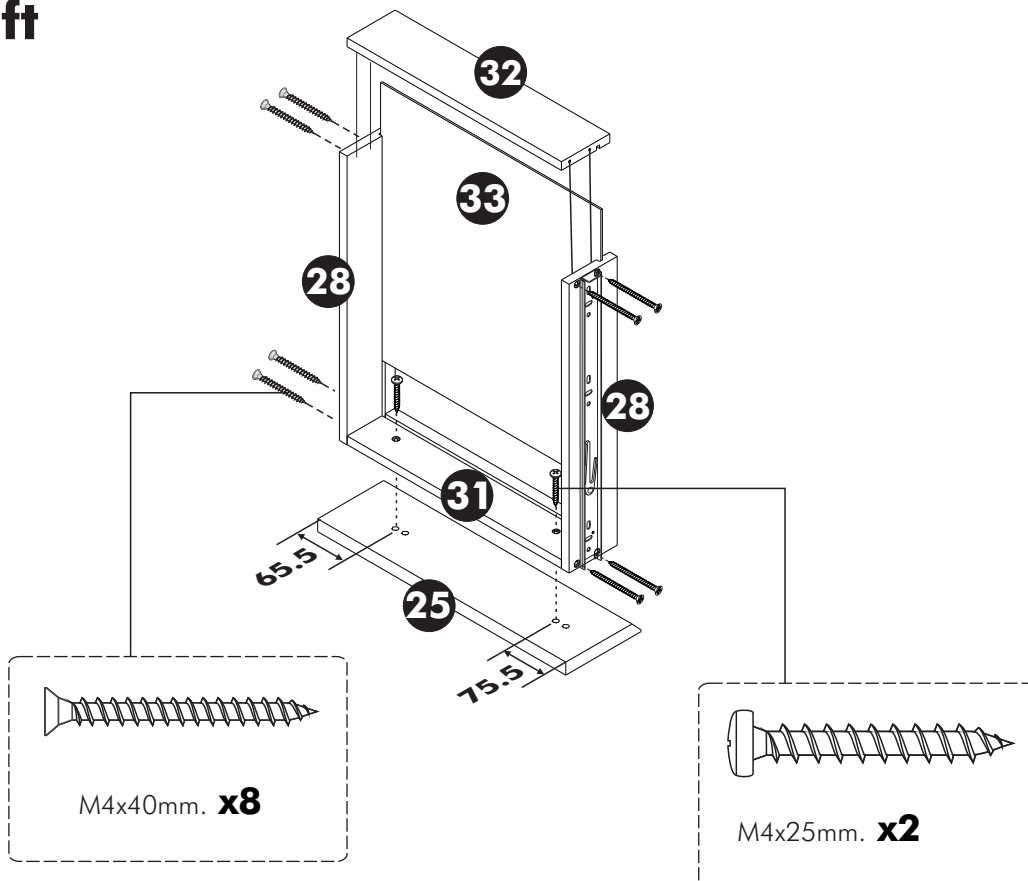
12.

**Left



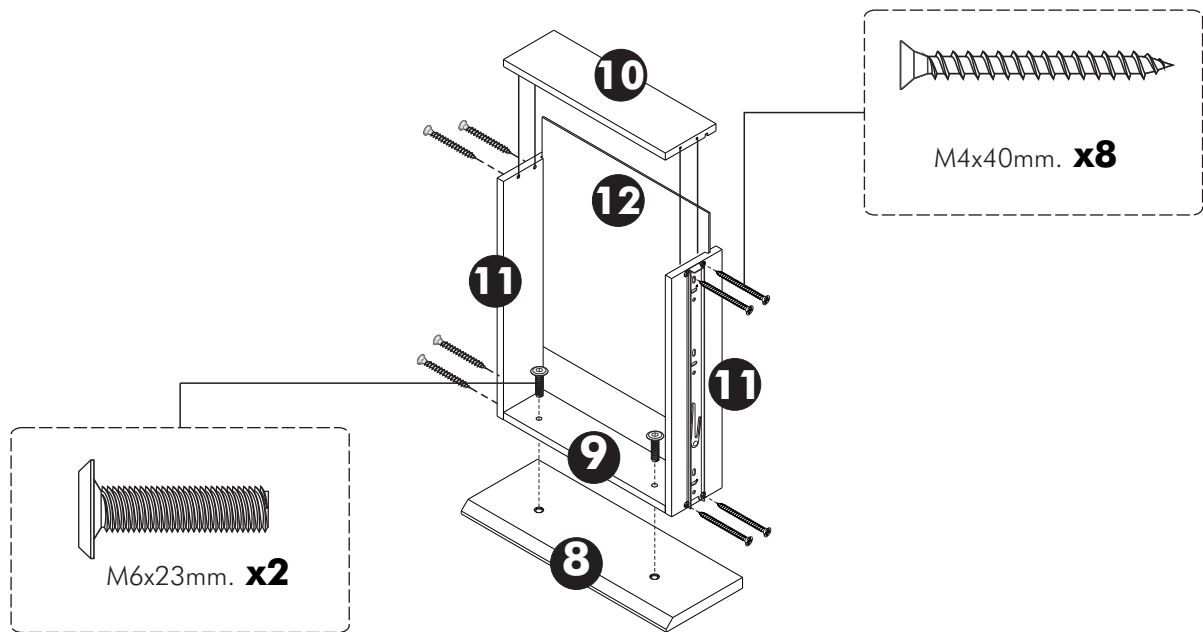
13.

**Left



14.

****Left**



15.

****Left**

