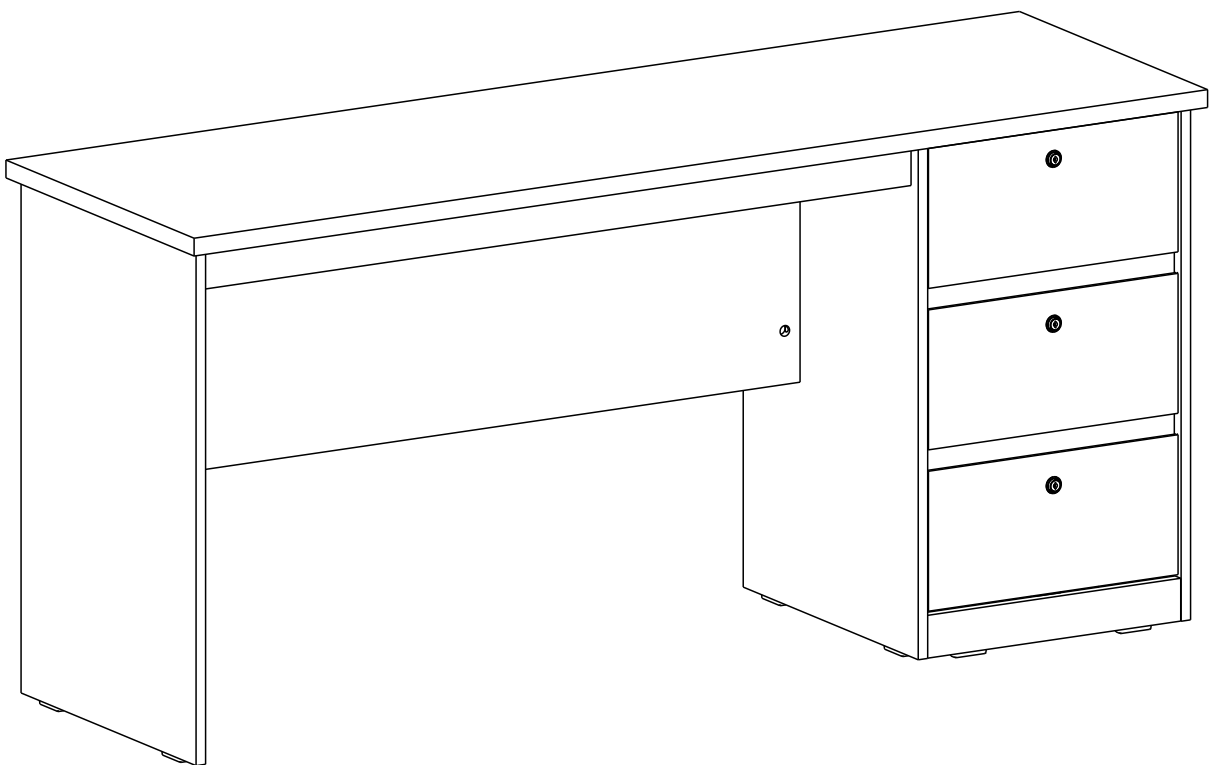


NORA-P

WORKING TABLE 160CM.



CONNECT SYSTEM

1

3

2

(Connecting bolts)

WHEN FITTING CAMS
 ENSURE STARTING POSITION IS CORRECT
 BEFORE YOU INSERT CONNECTING BOLT
 TURN CLOCKWISE UNTIL SECURE

 <input checked="" type="checkbox"/>	 <input type="checkbox"/>	 <input type="checkbox"/>	 <input type="checkbox"/>	 <input checked="" type="checkbox"/>
 CORRECT	 WRONG			

M4x16mm.

i

40mm.

☹️

☒

EQ

☺️

☑️

M3.5x13mm.

1

37mm.

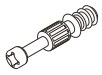
Use these holes

2

Use these holes

HARDWARE

-BODY SET

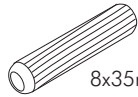


x 15



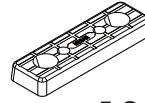
15mm.

x 15



8x35mm.

x 42

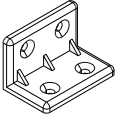


x 10

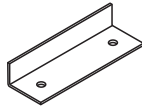


M4x16mm.

x 60



x 10



x 3

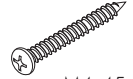


x 6



M4x30mm.

x 6



M4x45mm.

x 3



#4x1/2"

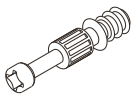
x 6



M3.5x13mm.

x 12

-DRAWER SET

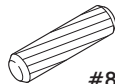


x 6



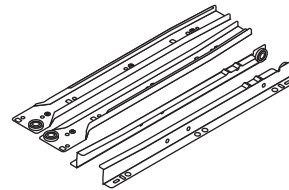
15mm.

x 6



#8x35

x 6

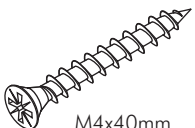


x 3



M3.5x13mm.

x 42

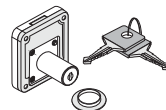


M4x40mm.

x 12



x 6



x 3



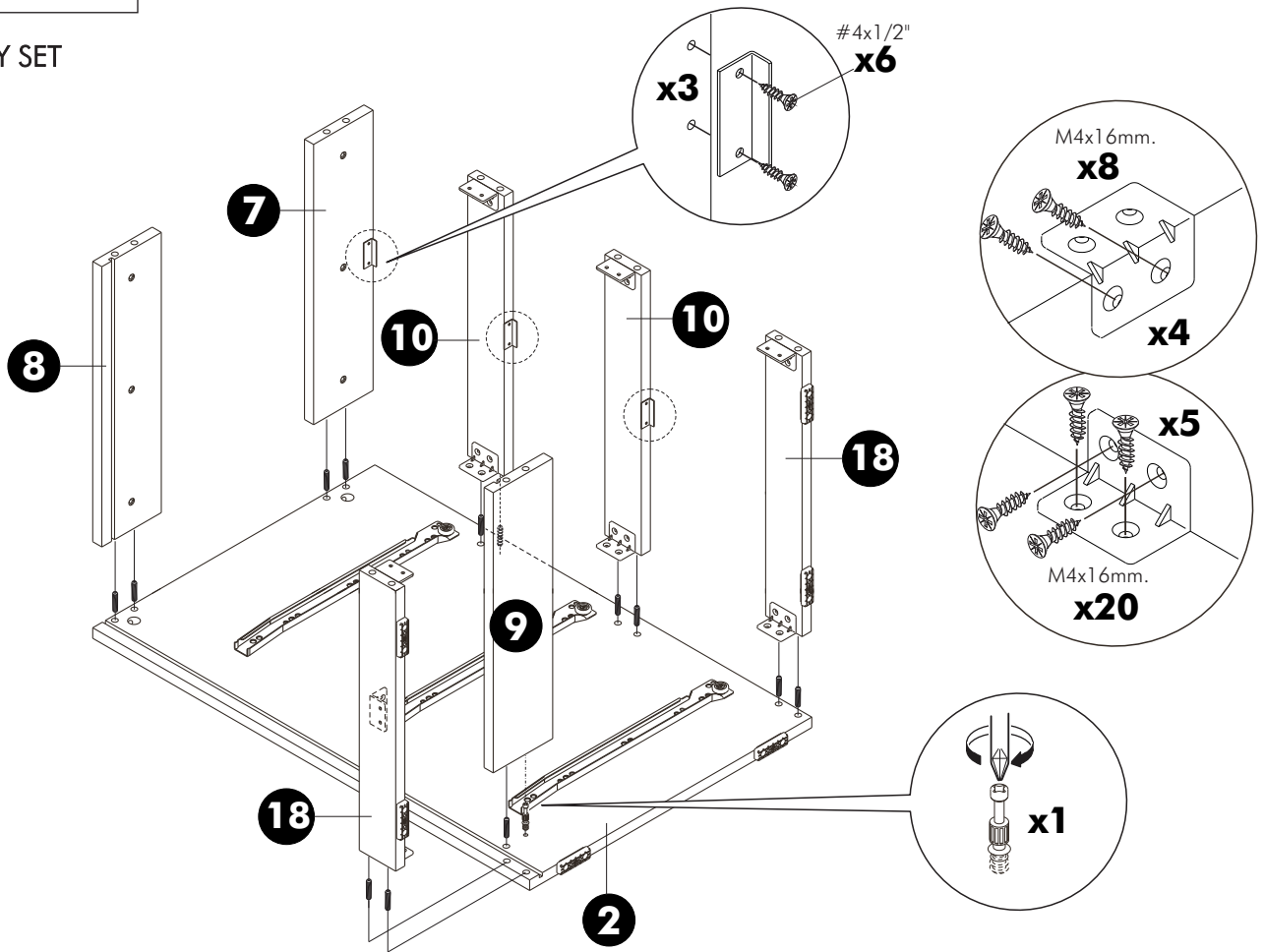
M3.5x20mm.

x 12

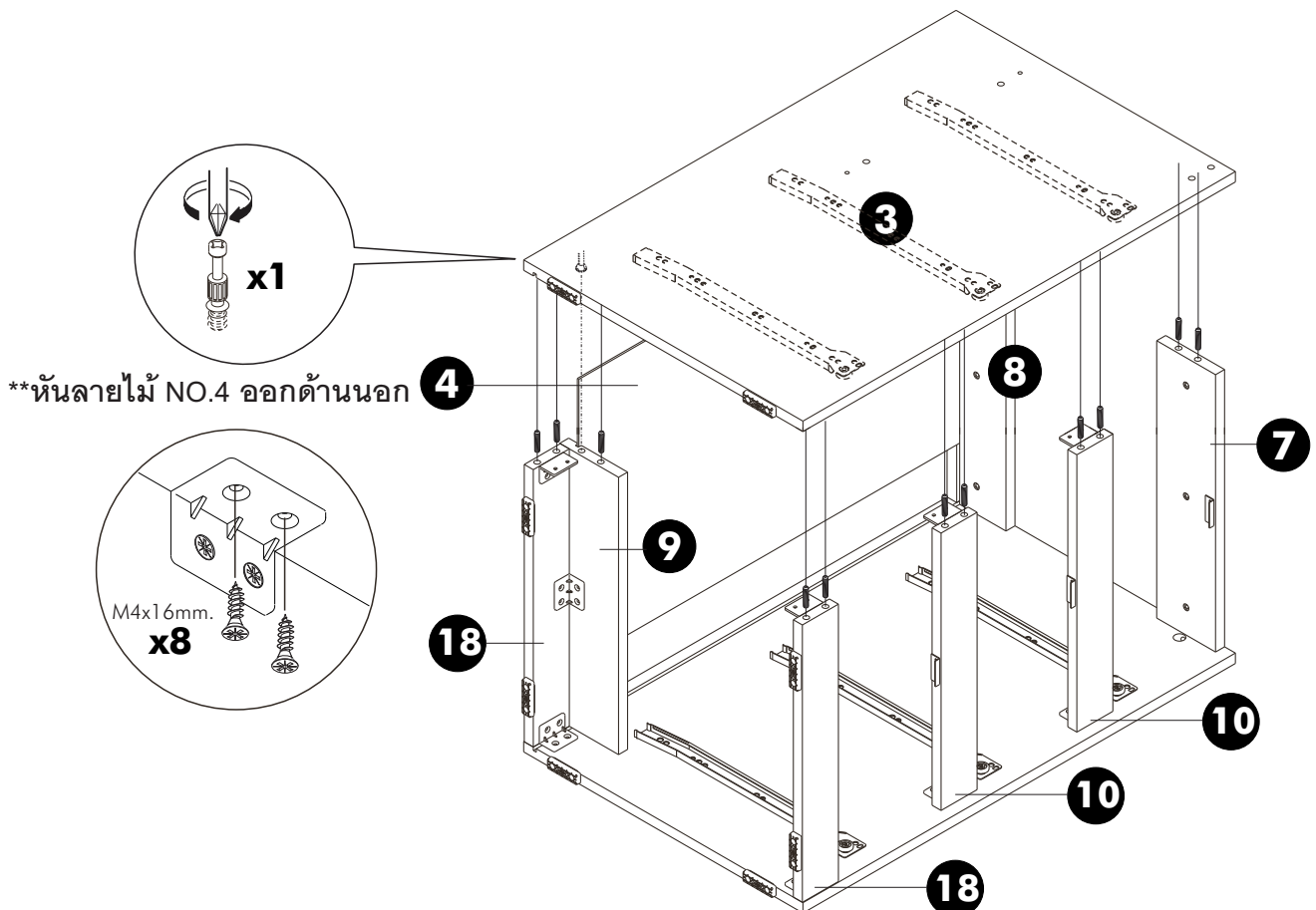
ASSEMBLY

-BODY SET

1.

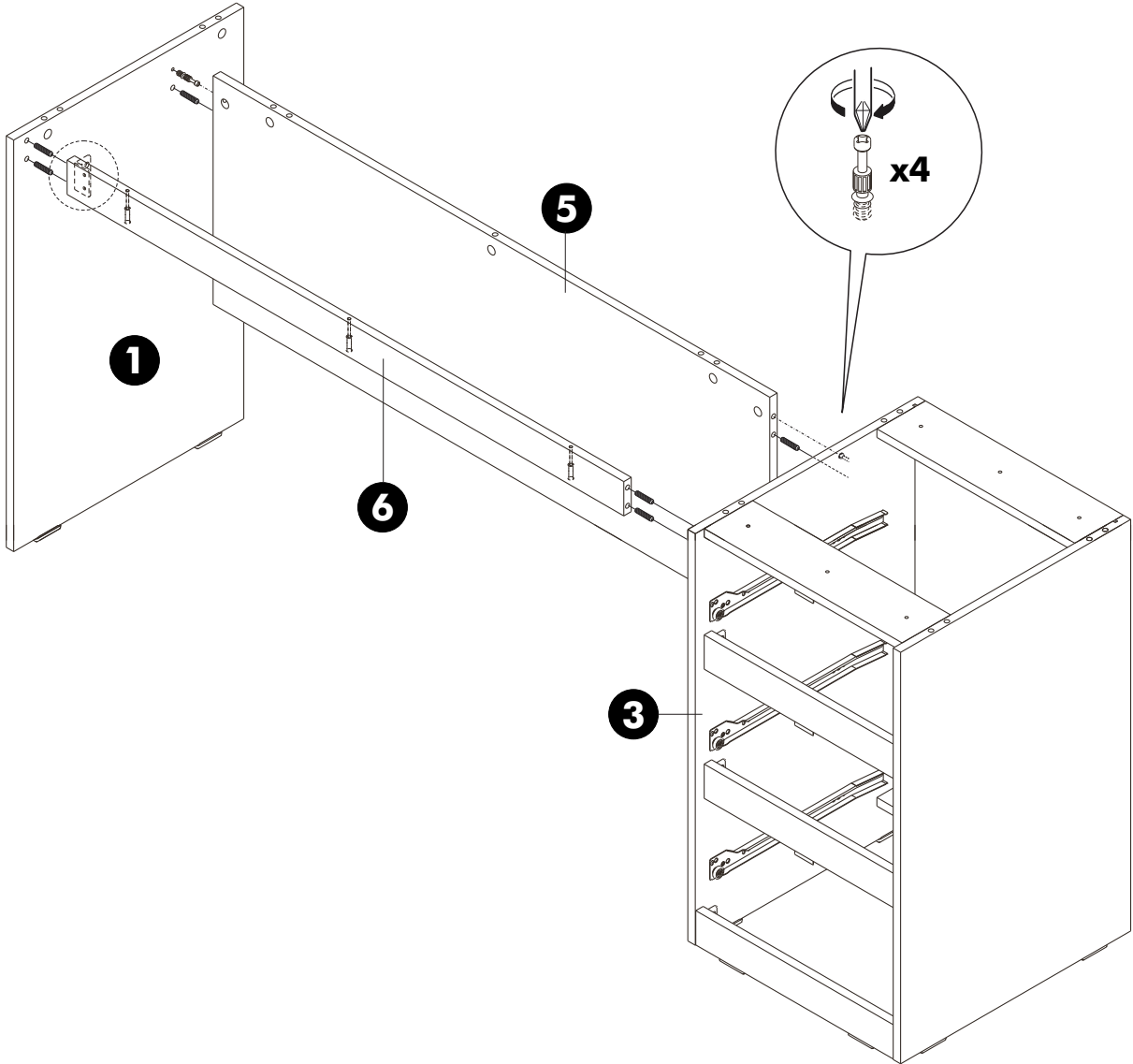


2.

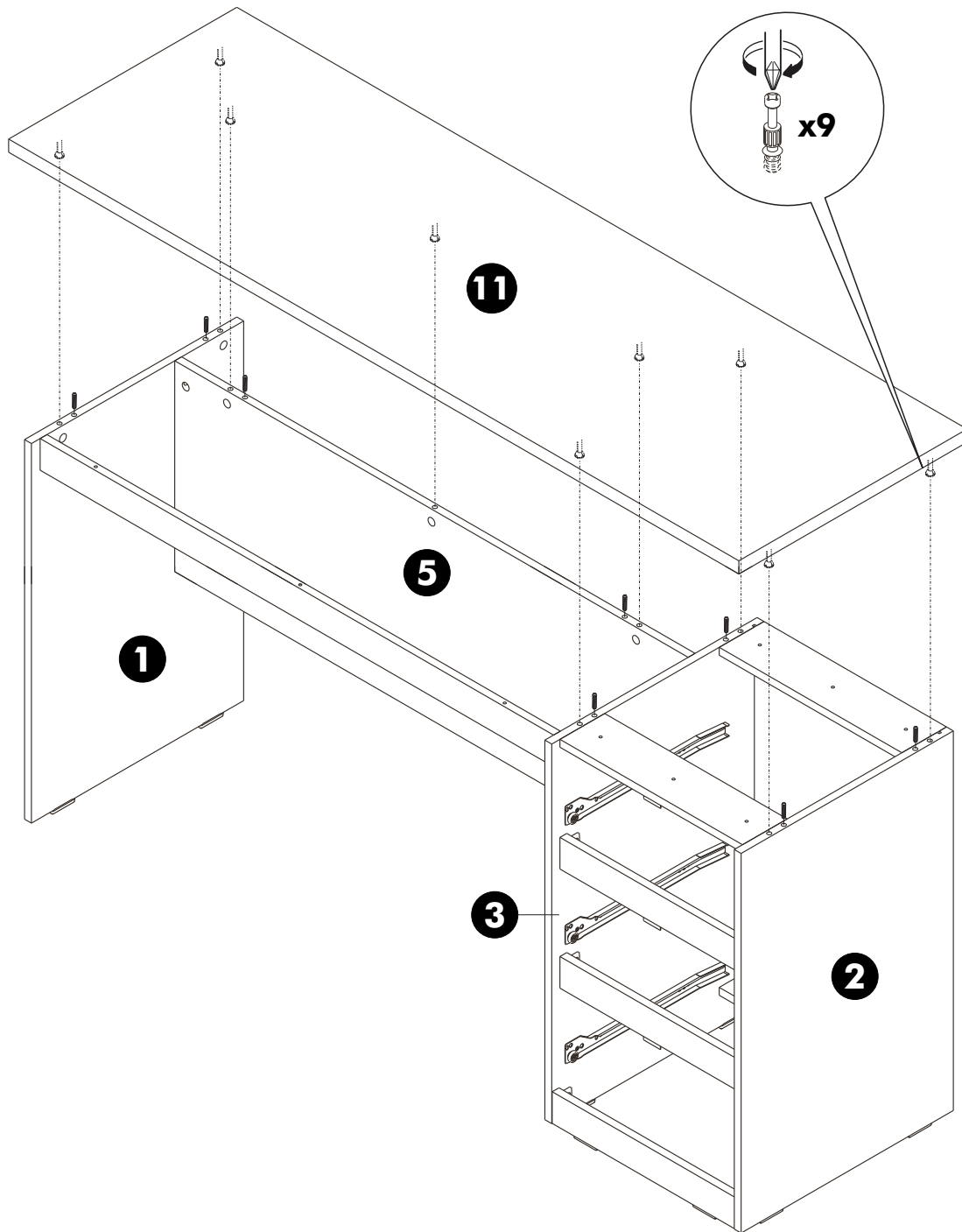


**หันลายไม้ NO.4 ออกด้านนอก

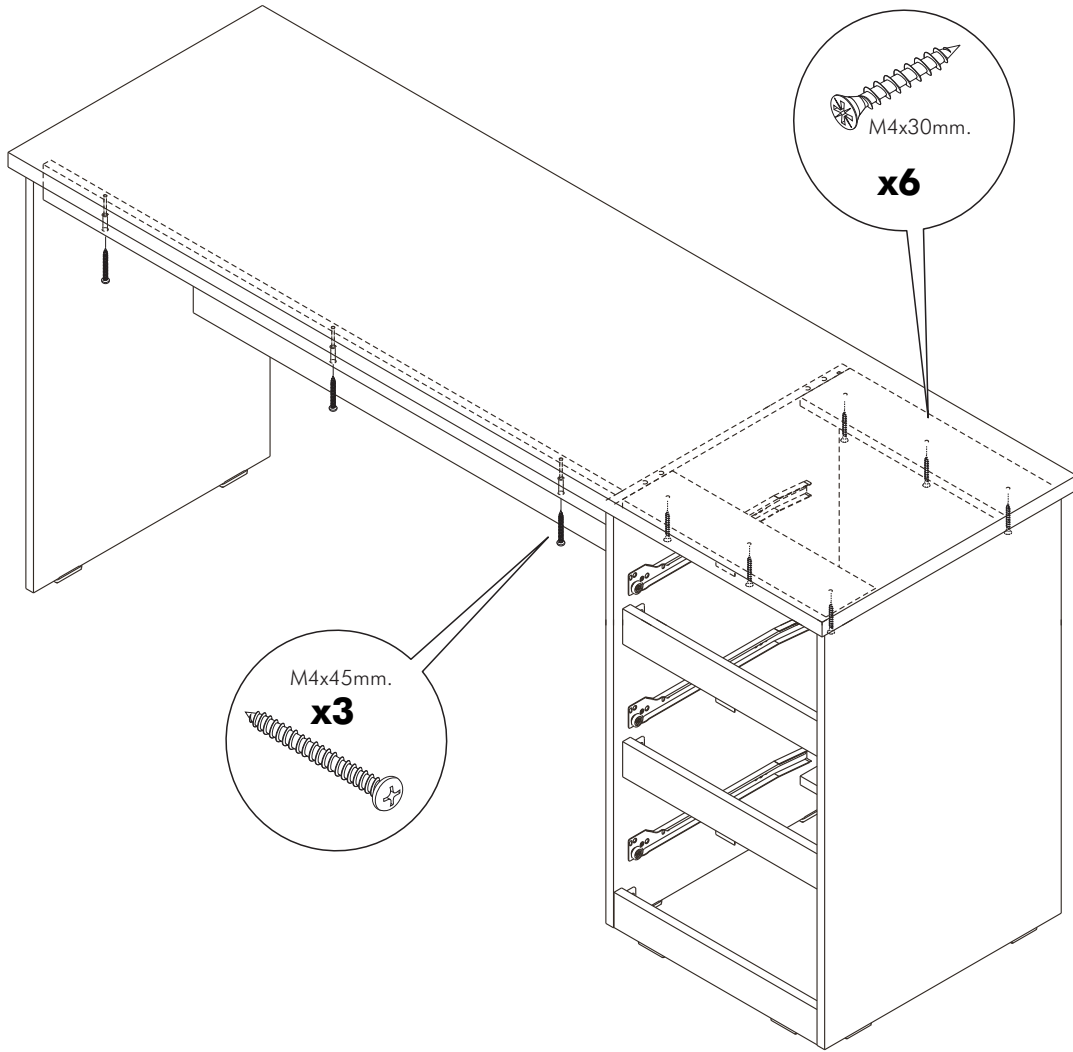
3.



4.



6.

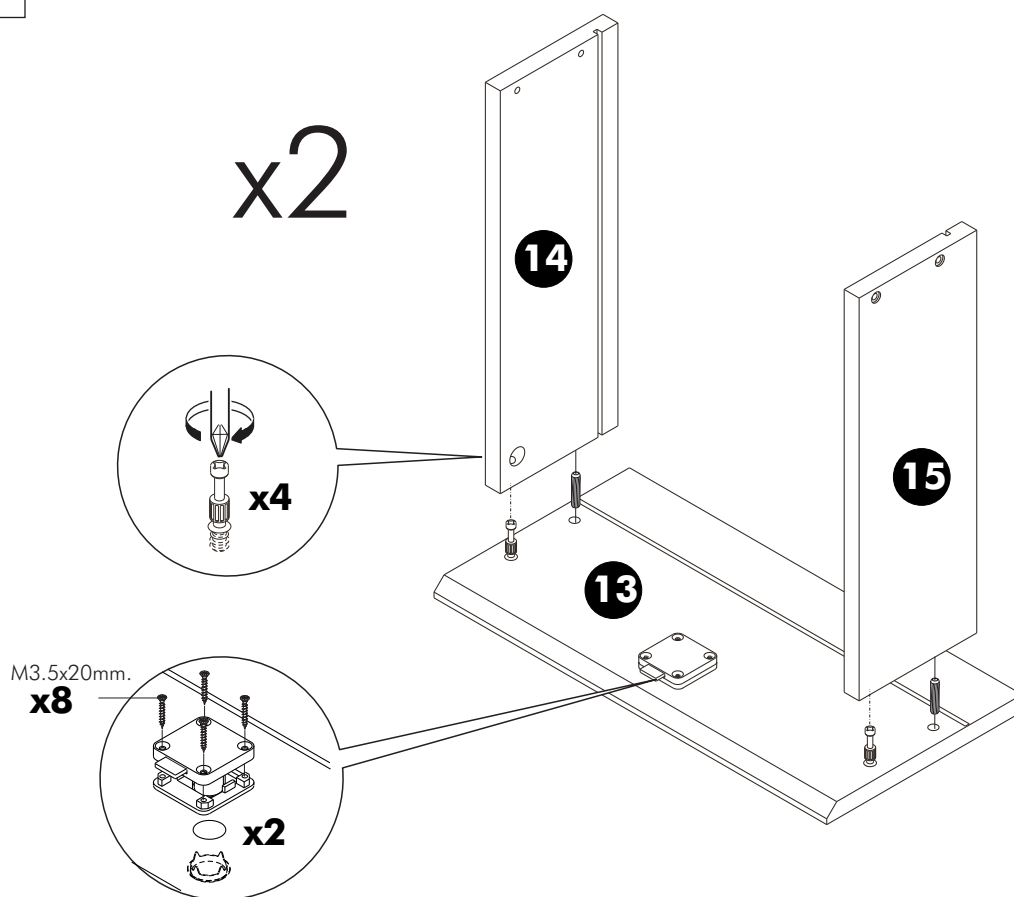


ASSEMBLY

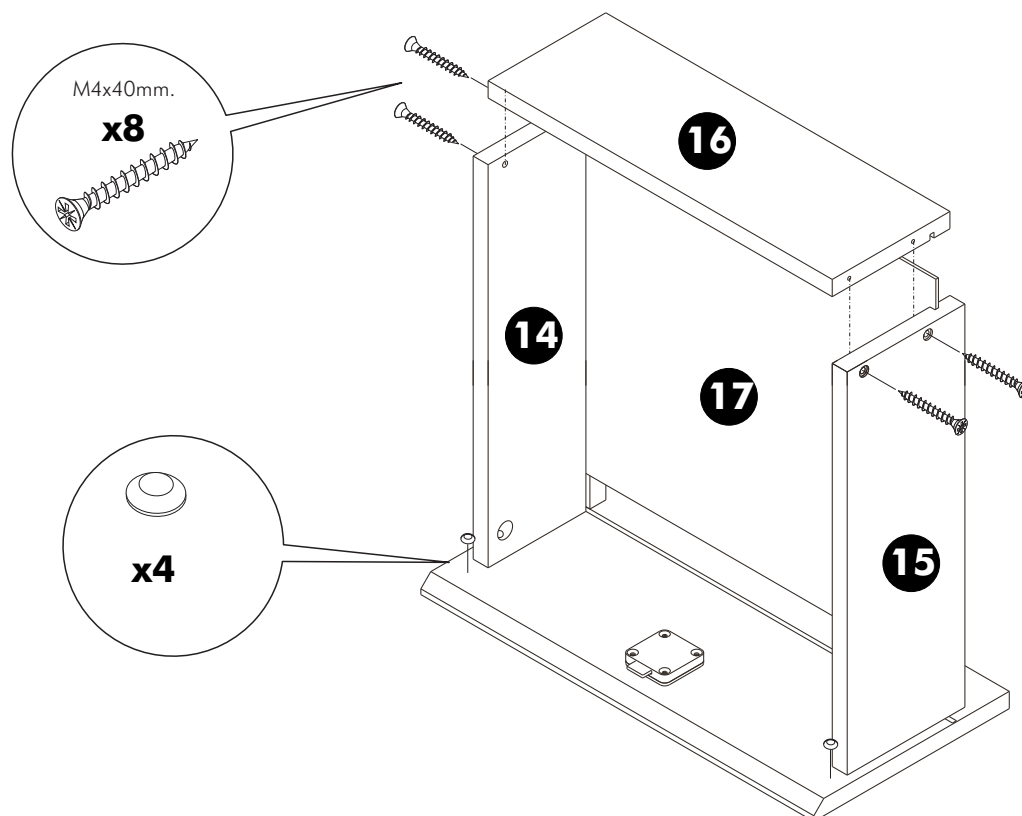
-DRAWER SET

1.

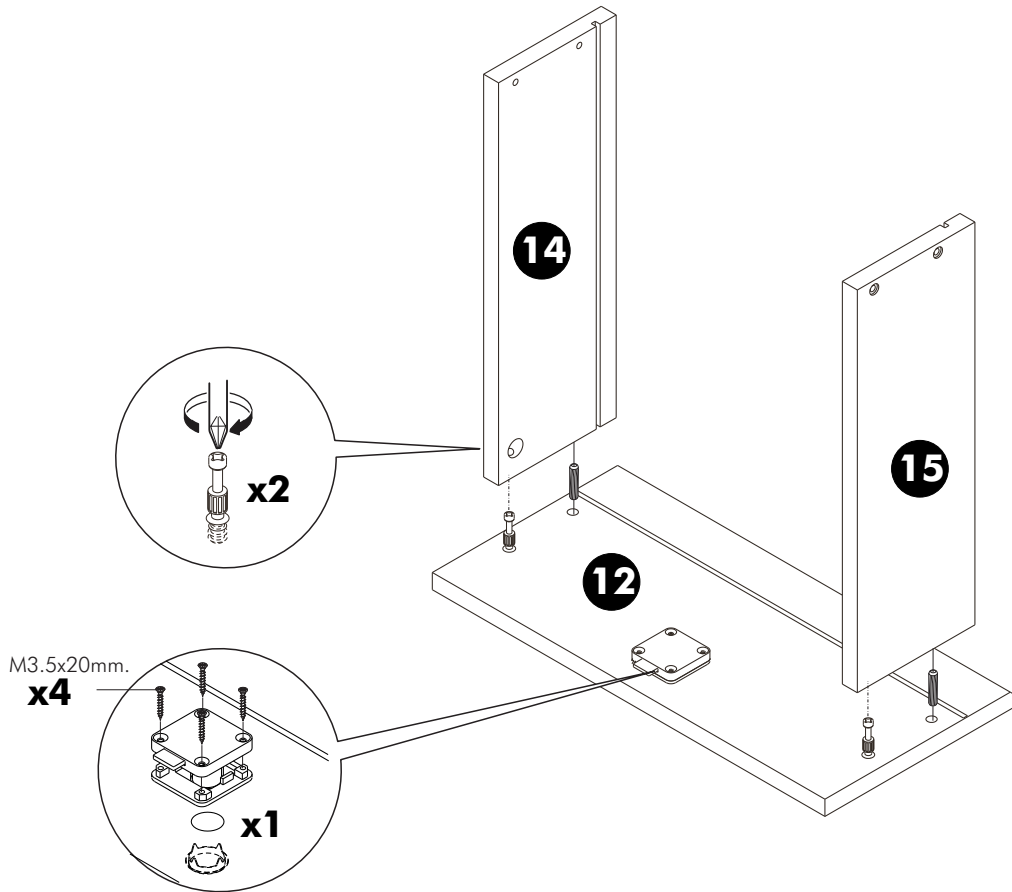
x2



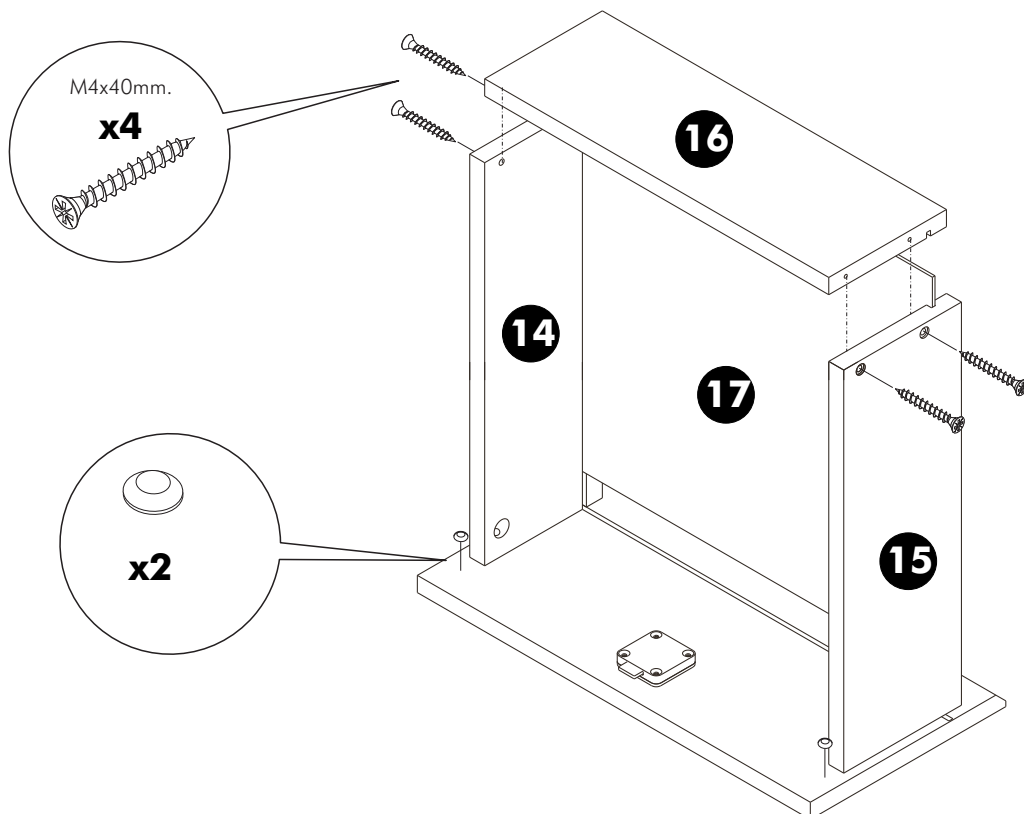
2.



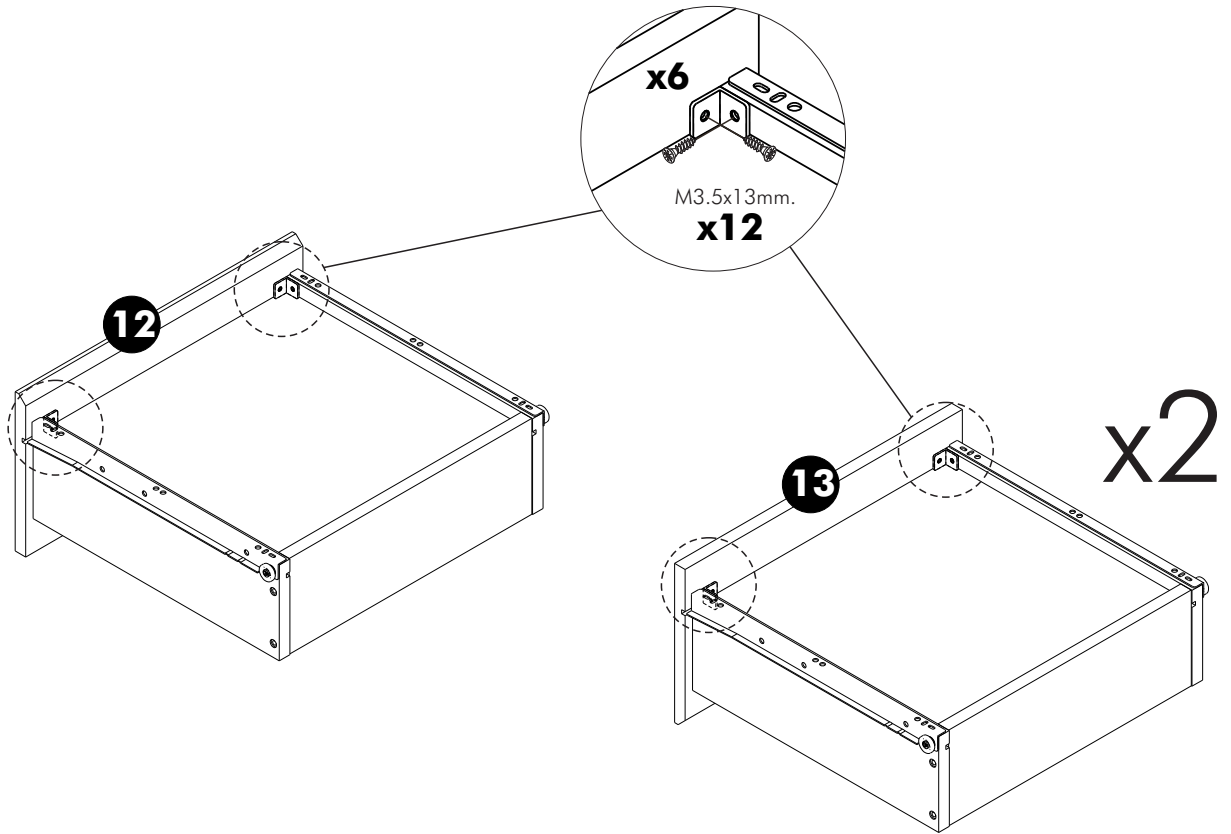
3.



4.



5.



ASSEMBLY

-DRAWER SET

