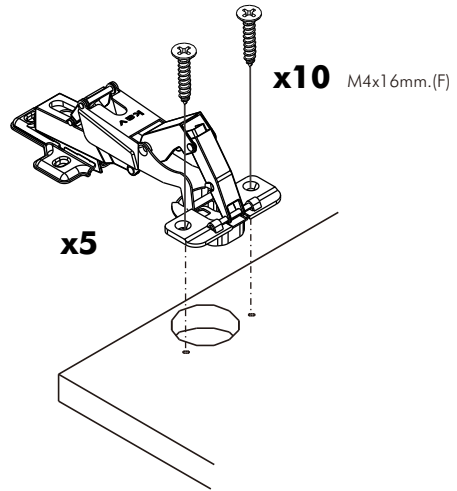
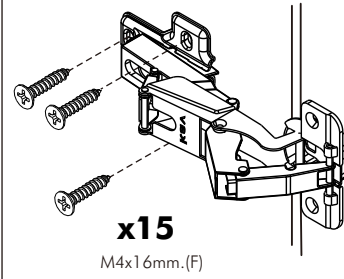
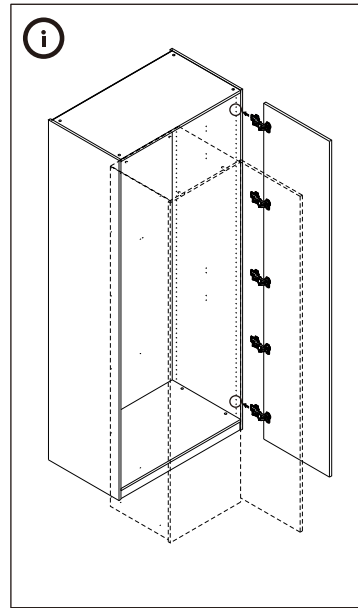


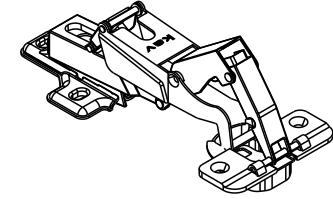
**1.**



**2.**



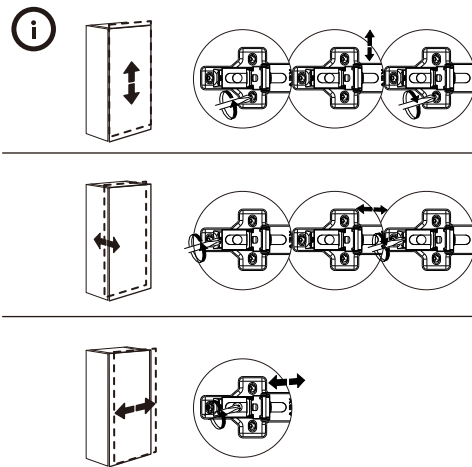
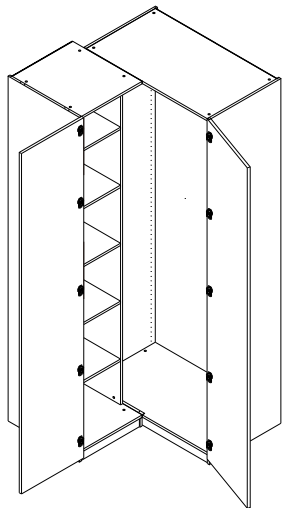
**Corner cabinet hinge**



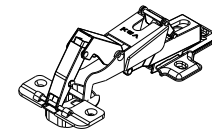
**PI**



**3.**



**HARDWARE**



**x 5**



**x 25**

