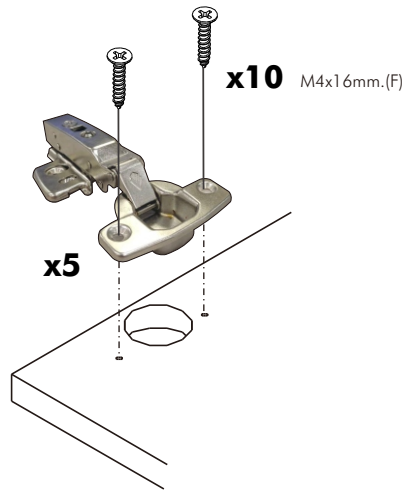
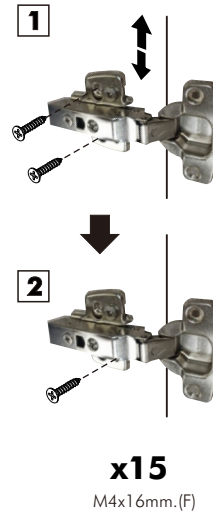
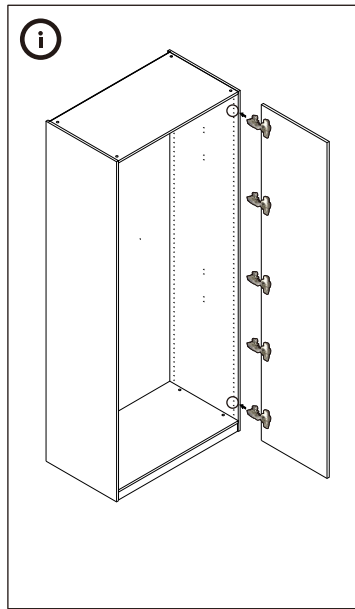


1.



2.



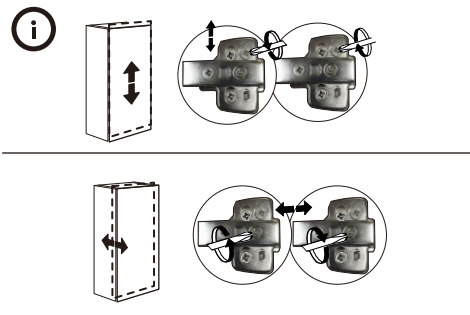
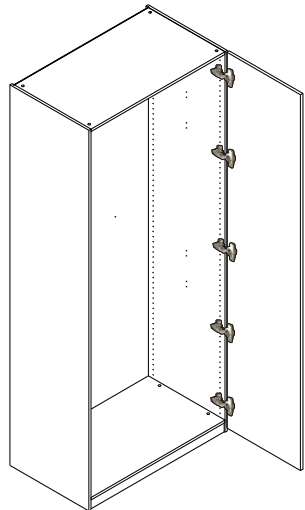
Hinge set



PI



3.



HARDWARE



x 5



x 30

