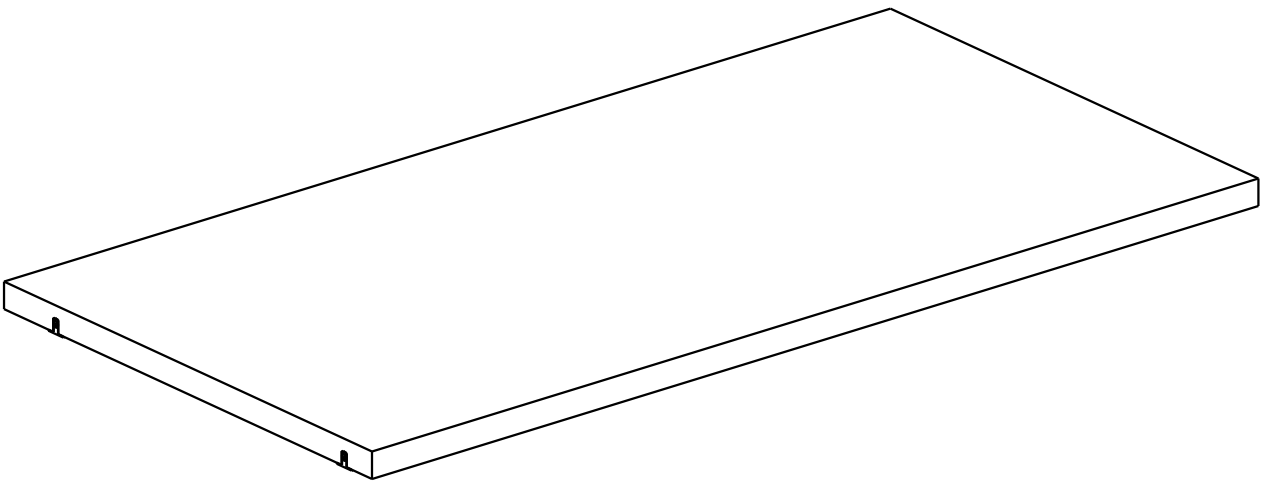


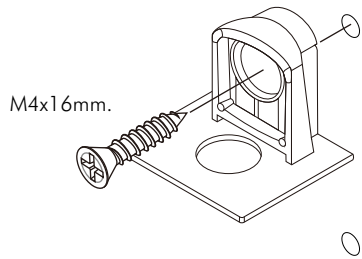
# PI

**Shelf 100cm.**

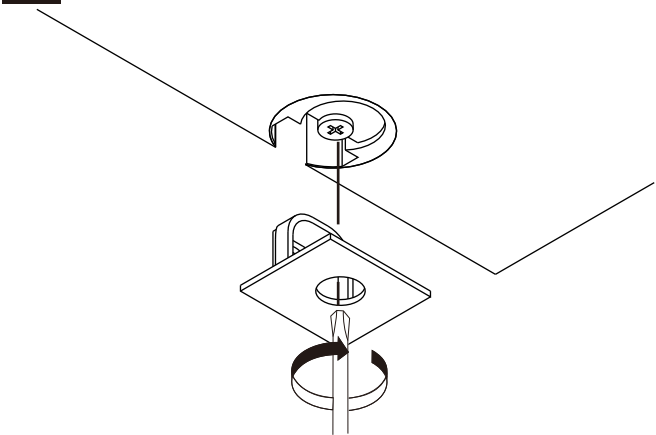


# CONNECT SYSTEM

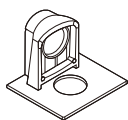
**1**



**2**



# HARDWARE



**x 4**



M4x16mm.

**x 4**

Wardrobe Frame 100  
(Function-F)

