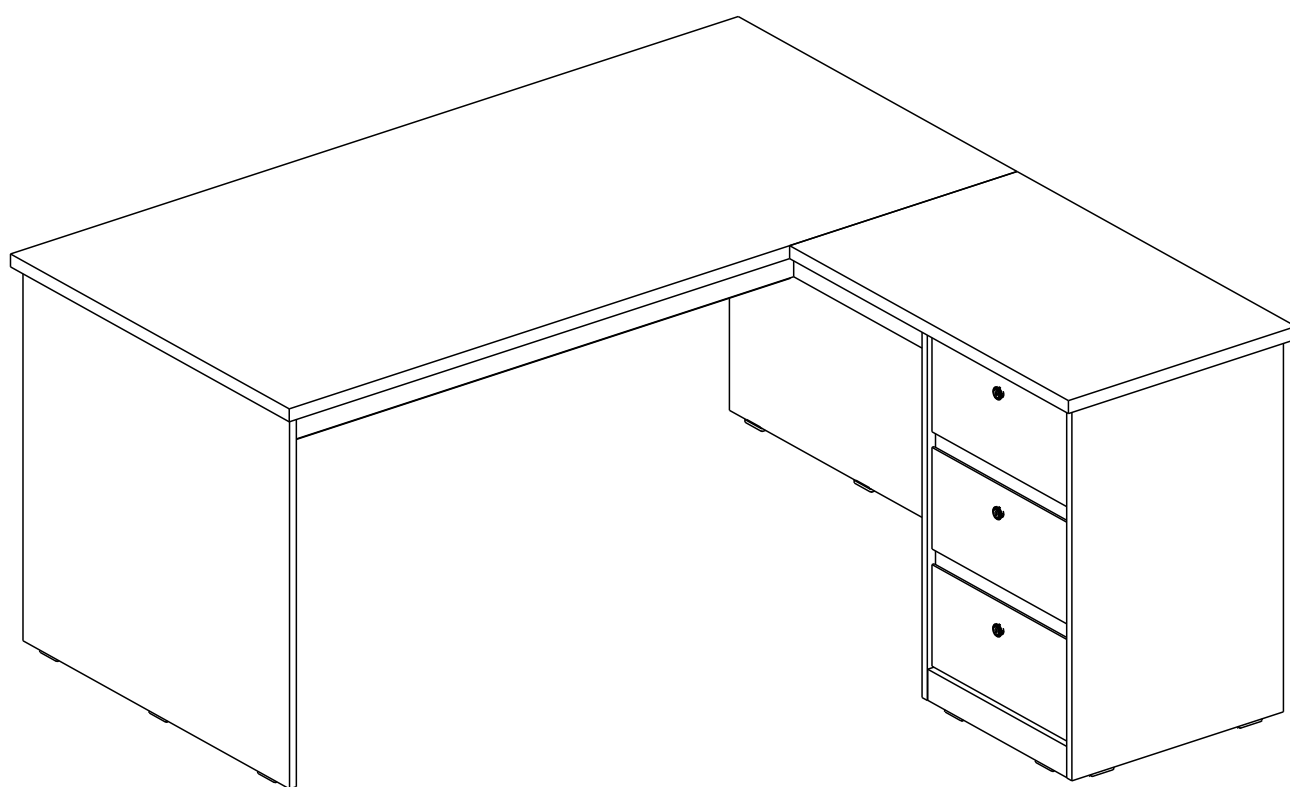


NORA PLUS-P

L-SHAPE TABLE 1.6M.



CONNECT SYSTEM

1

3

2

(Connecting bolts)

WHEN FITTING CAMS
 ENSURE STARTING POSITION IS CORRECT
 BEFORE YOU INSERT CONNECTING BOLT
 TURN CLOCKWISE UNTIL SECURE

↑
CORRECT

WRONG

M4x16mm.

i

40mm.

☹️

☒

EQ

😊

☑️

M3.5x13mm.

1

37mm.

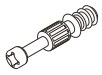
Use these holes

2

Use these holes

HARDWARE

-BODY SET

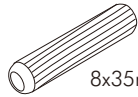


x 20



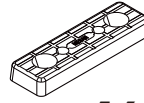
15mm.

x 20



8x35mm.

x 64

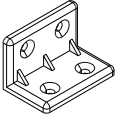


x 16

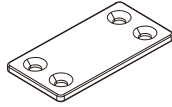


M4x16mm.

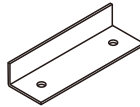
x 84



x 9



x 4



x 3



M4x30mm.

x 4



M4x45mm.

x 9



M4x45mm.

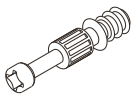
x 5



#4x1/2"

x 6

-DRAWER SET

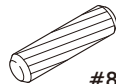


x 6



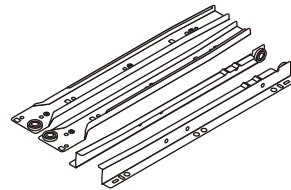
15mm.

x 6



#8x35

x 6



x 3



M3.5x13mm.

x 42

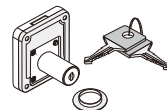


M4x40mm.

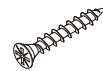
x 12



x 6



x 3



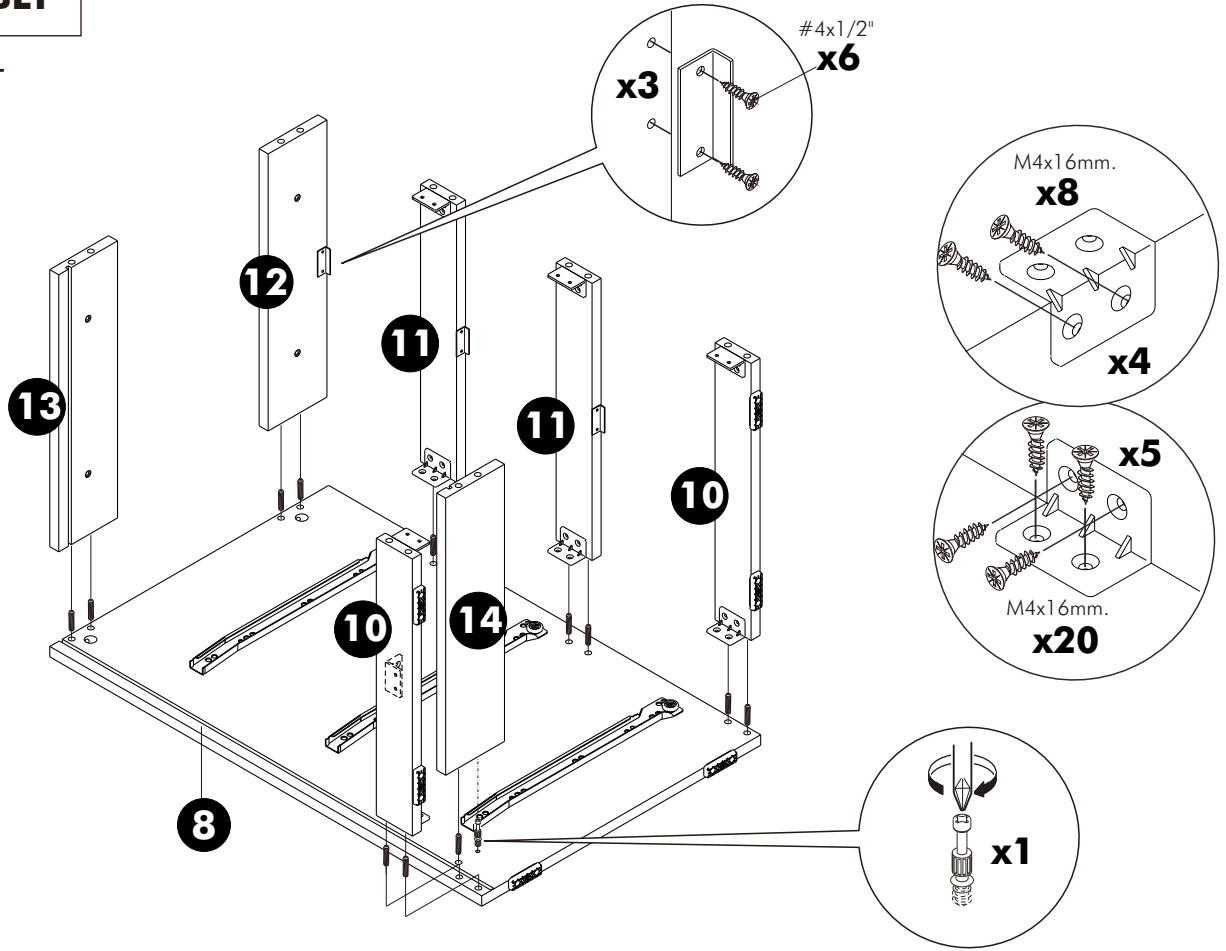
M3.5x20mm.

x 12

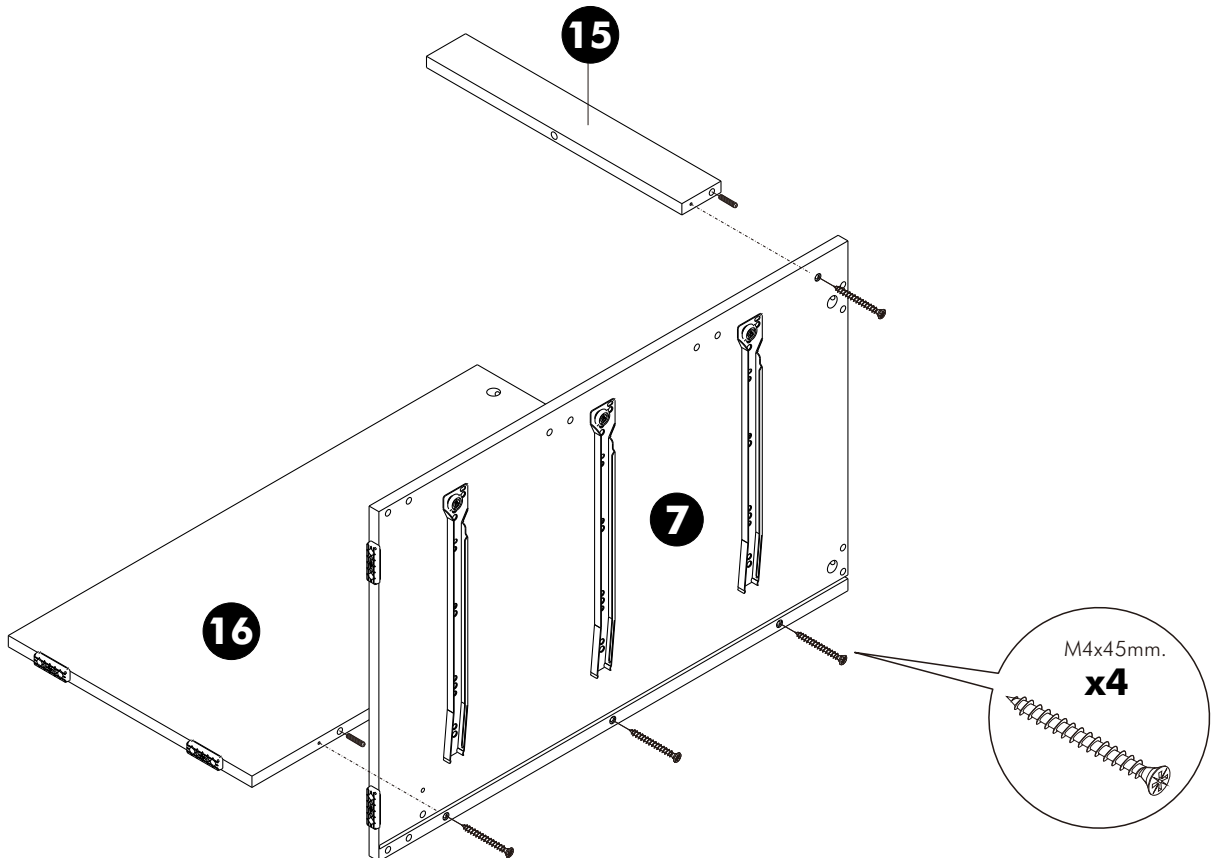
ASSEMBLY

-BODY SET

1.

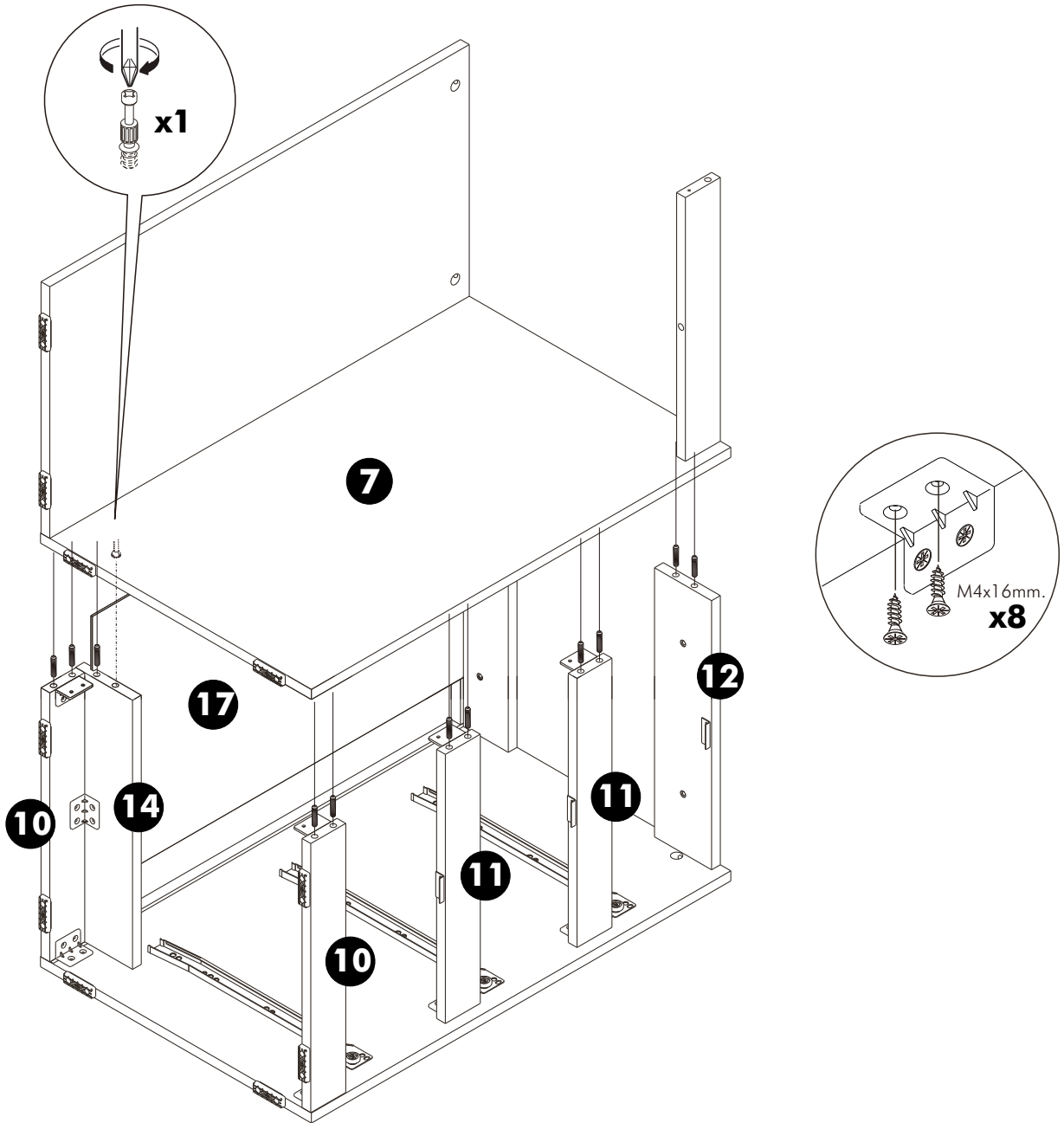


2.

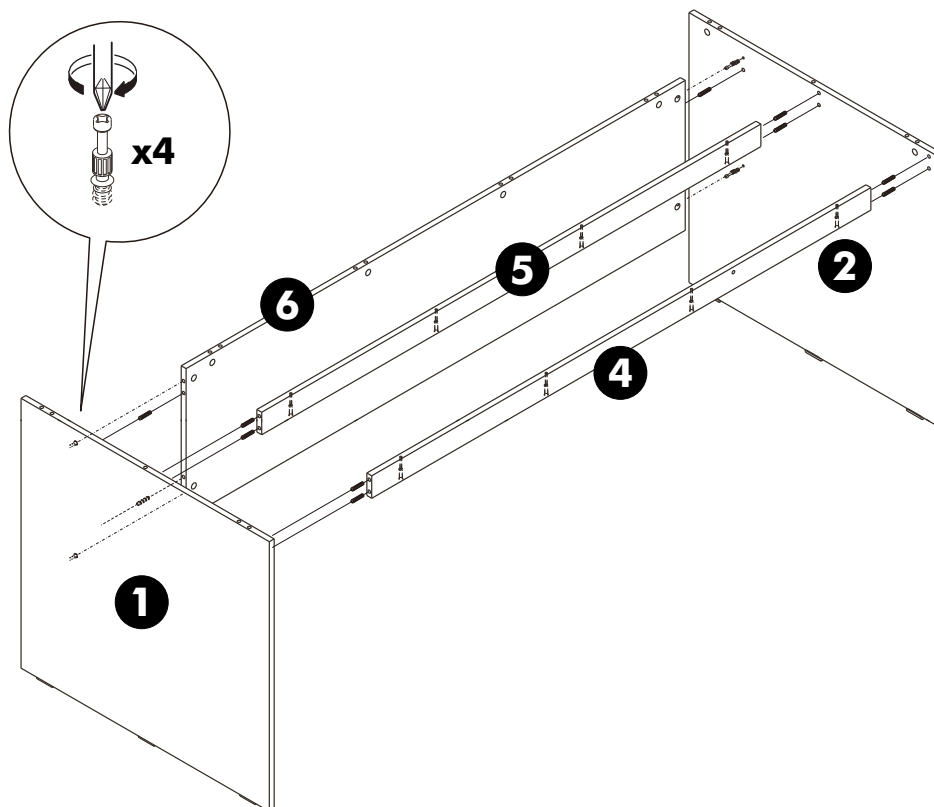


3.

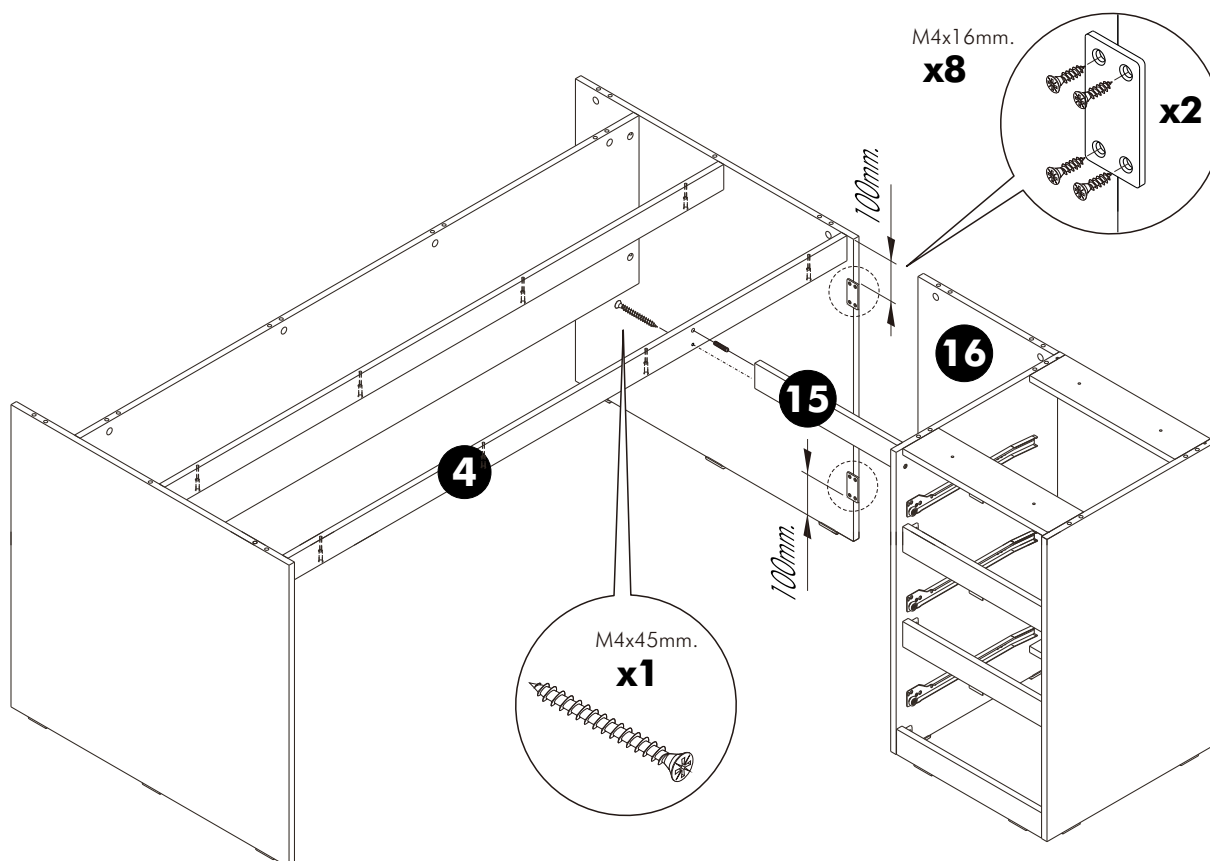
NOTE: ชิ้นงานหมายเลข17 ให้เอาด้านที่มีลายไม้ออกด้านนอกตู้



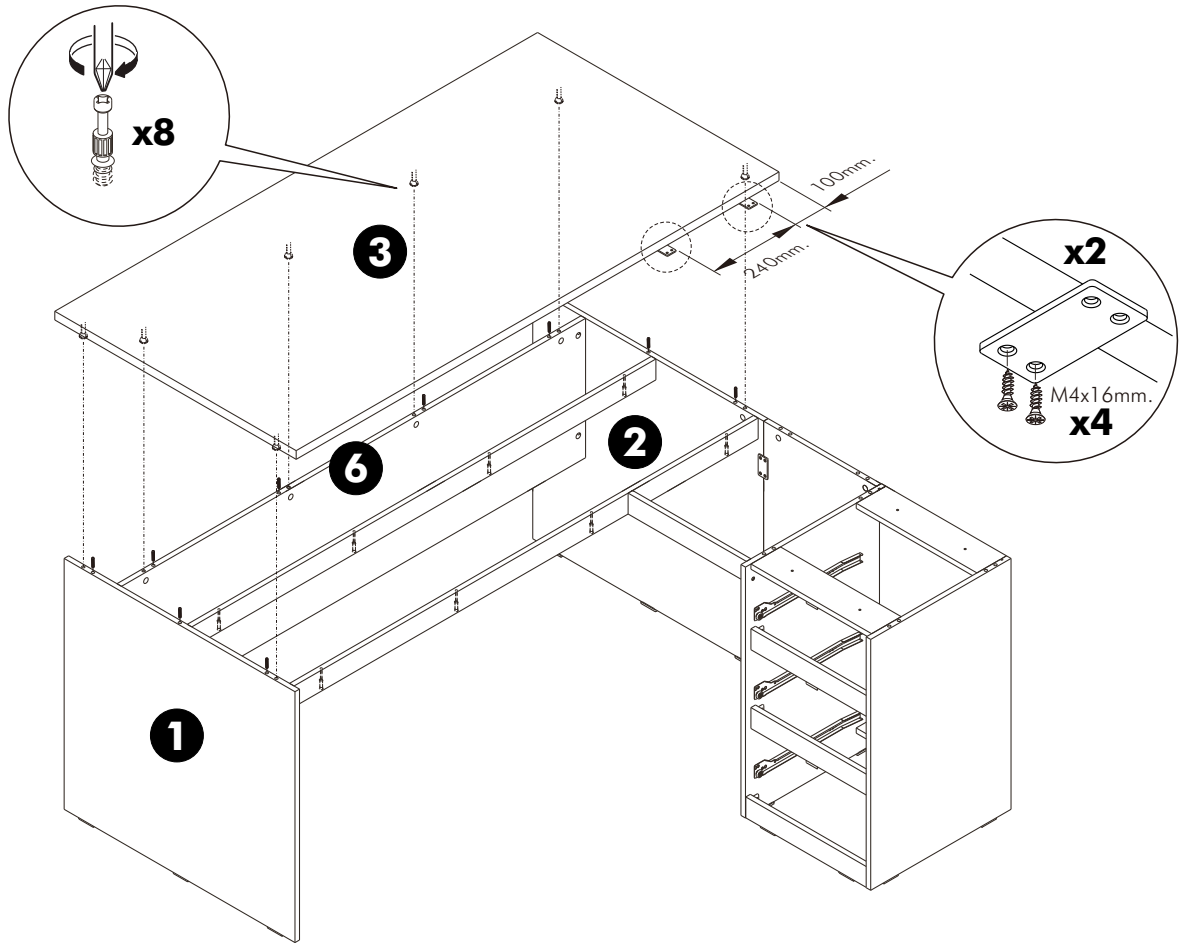
4.



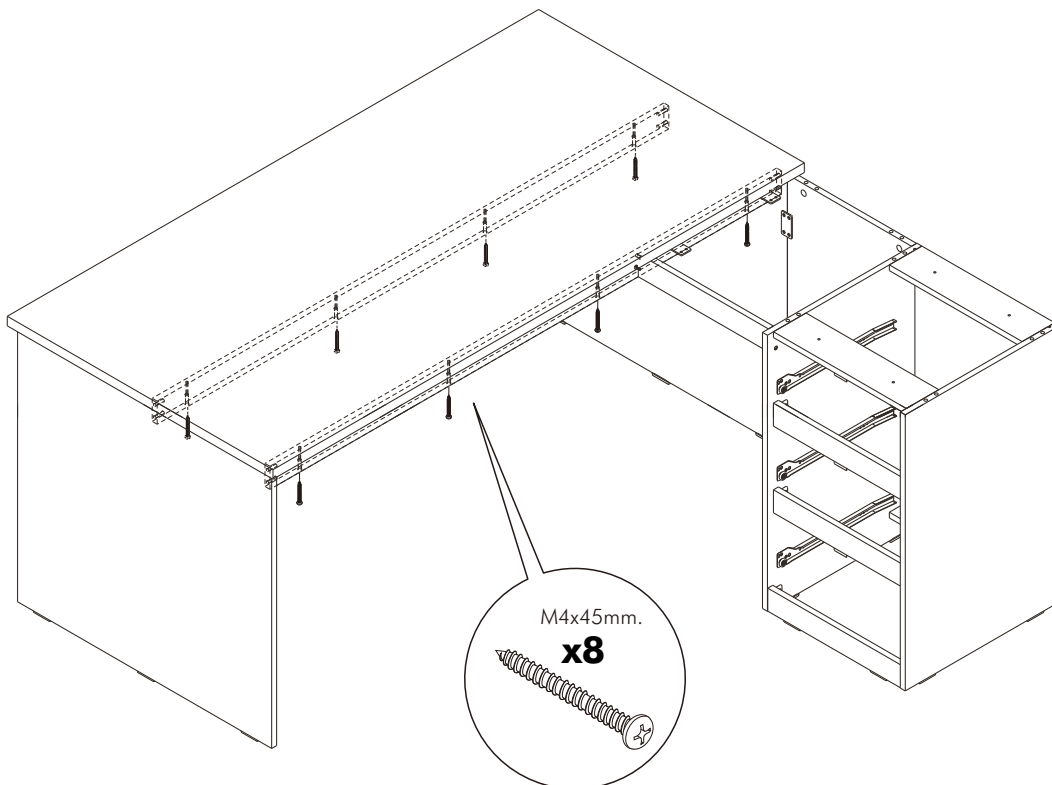
5.



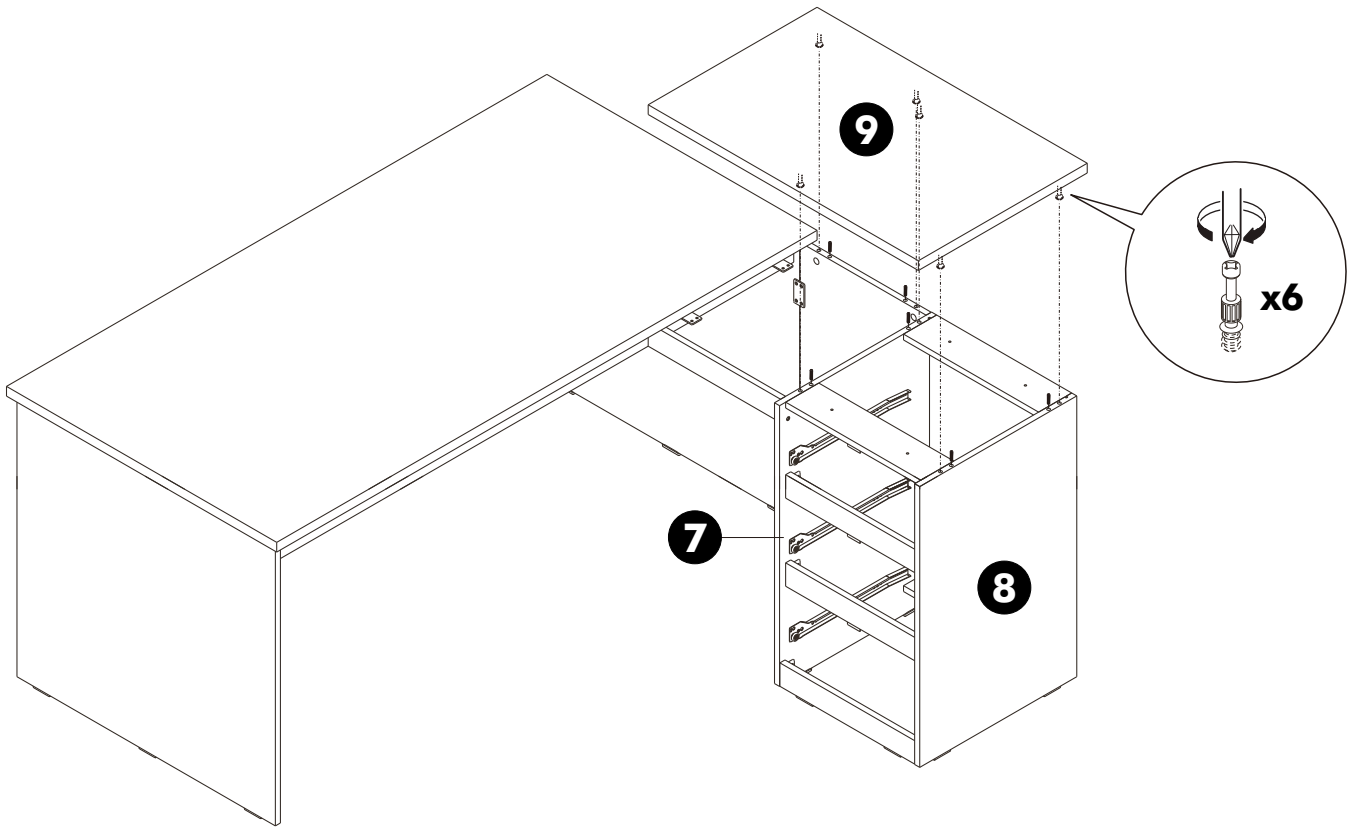
6.



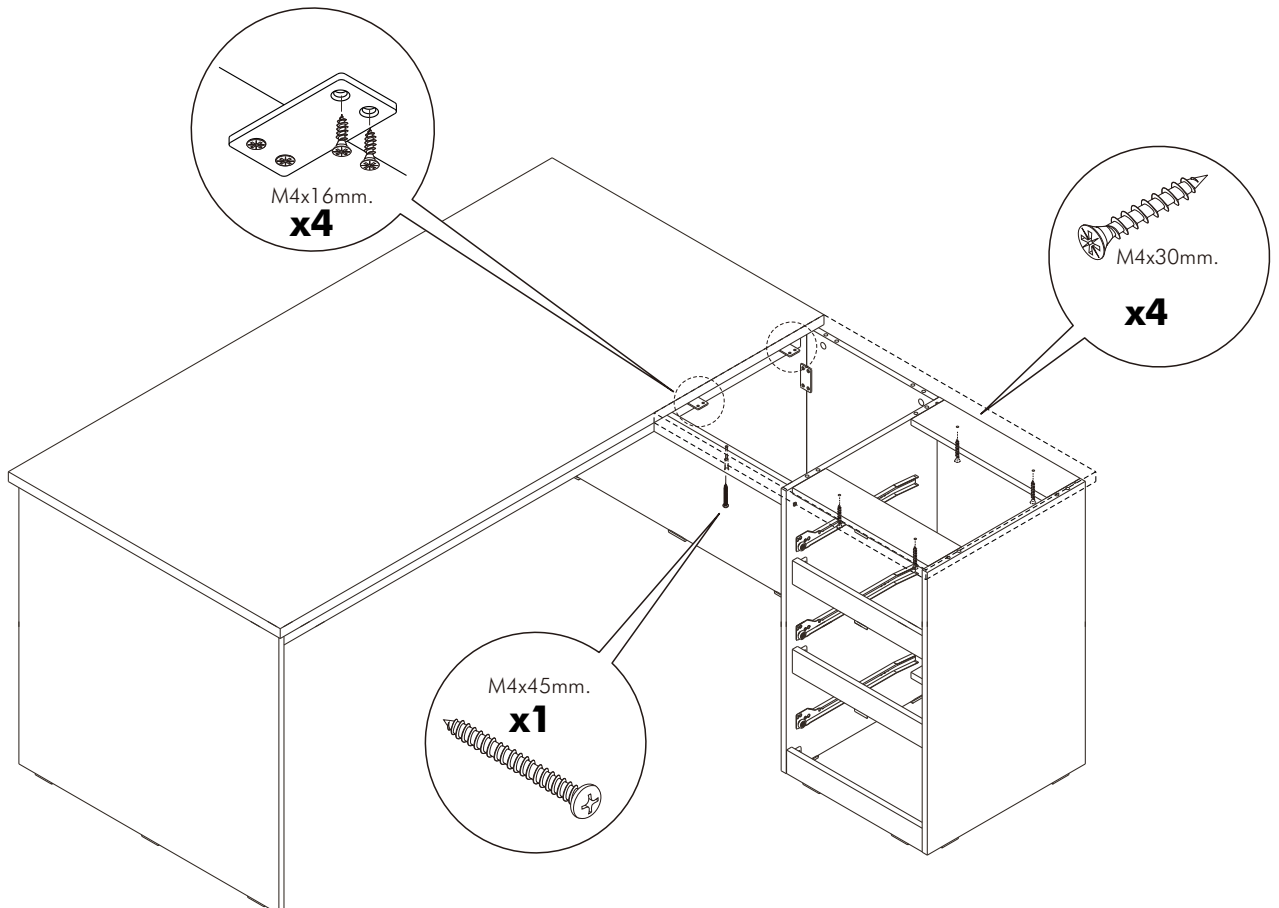
7.



8.



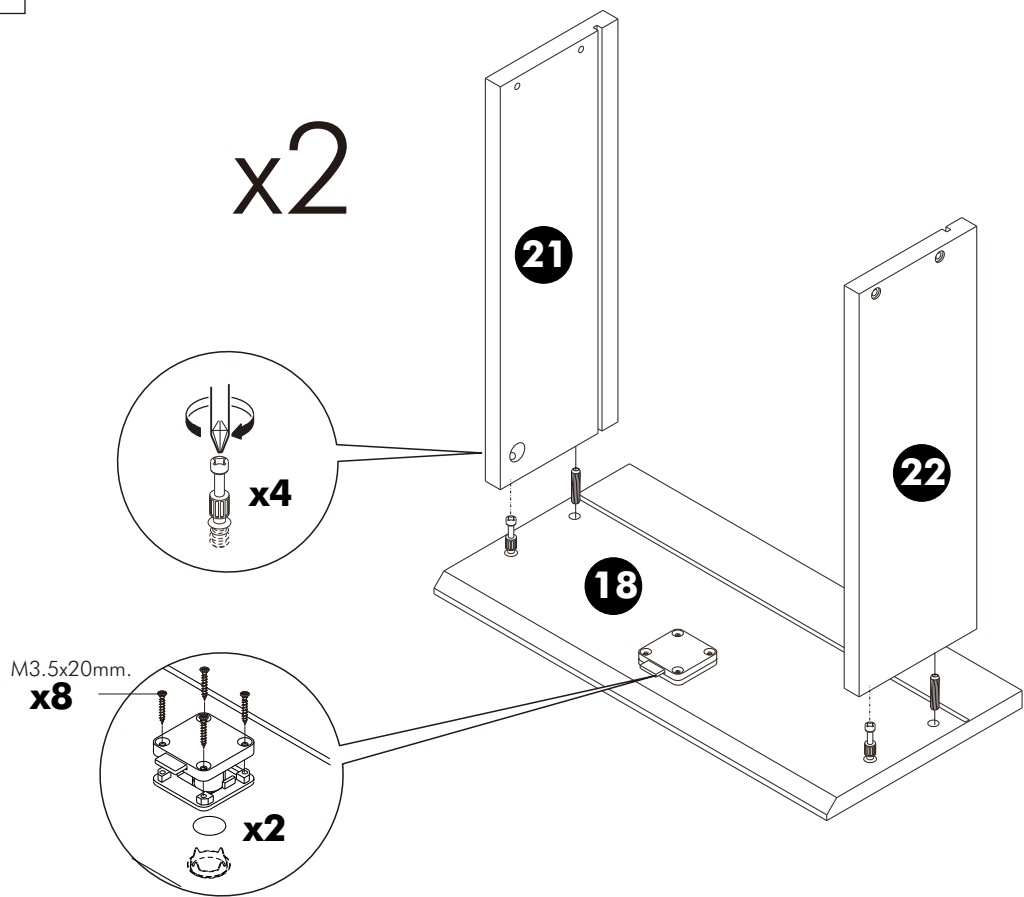
9.



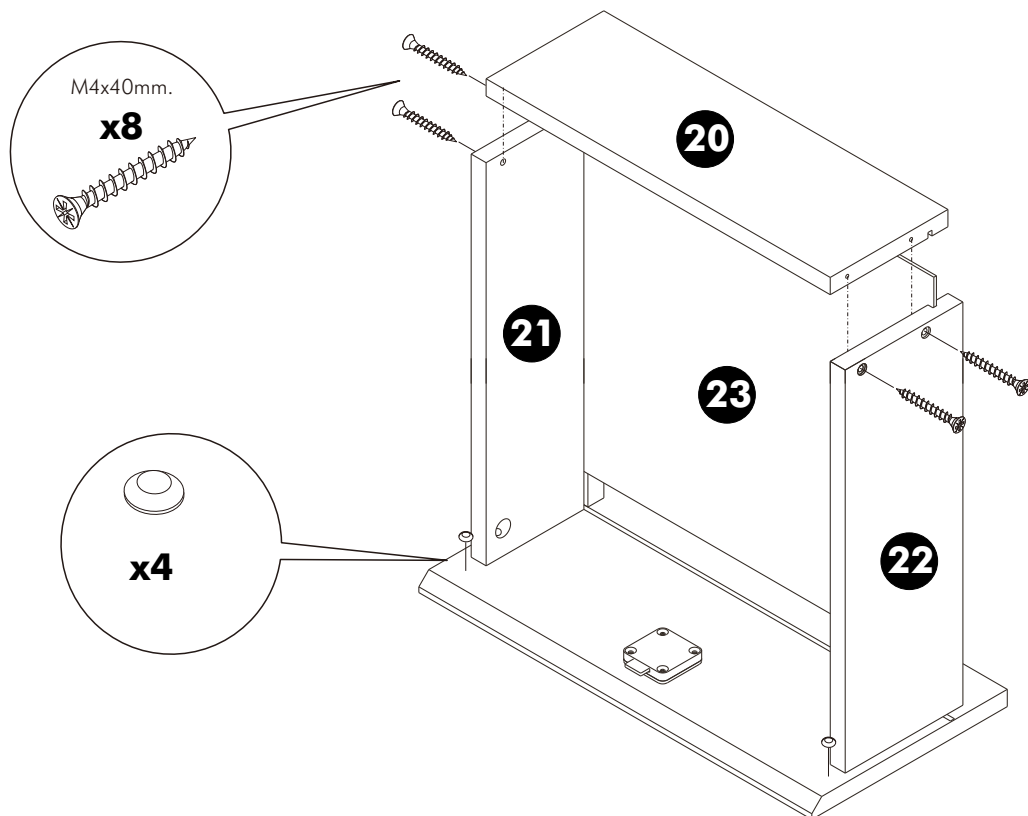
ASSEMBLY

-DRAWER SET

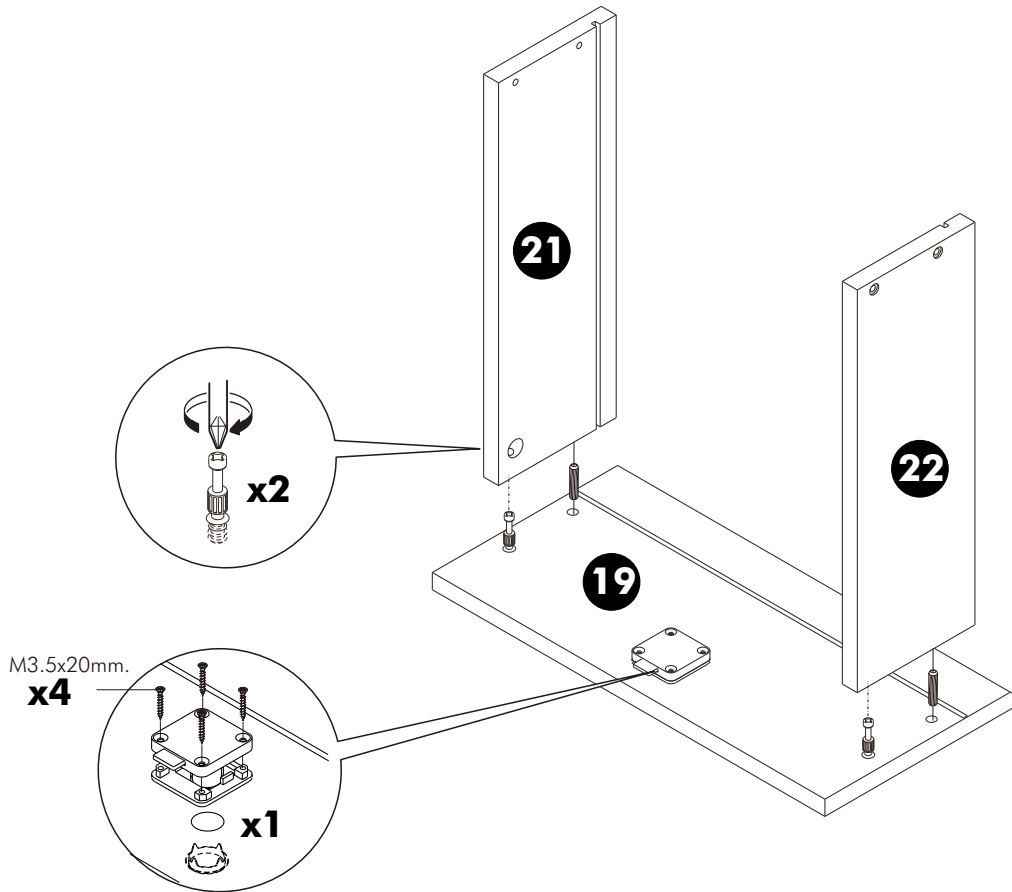
1.



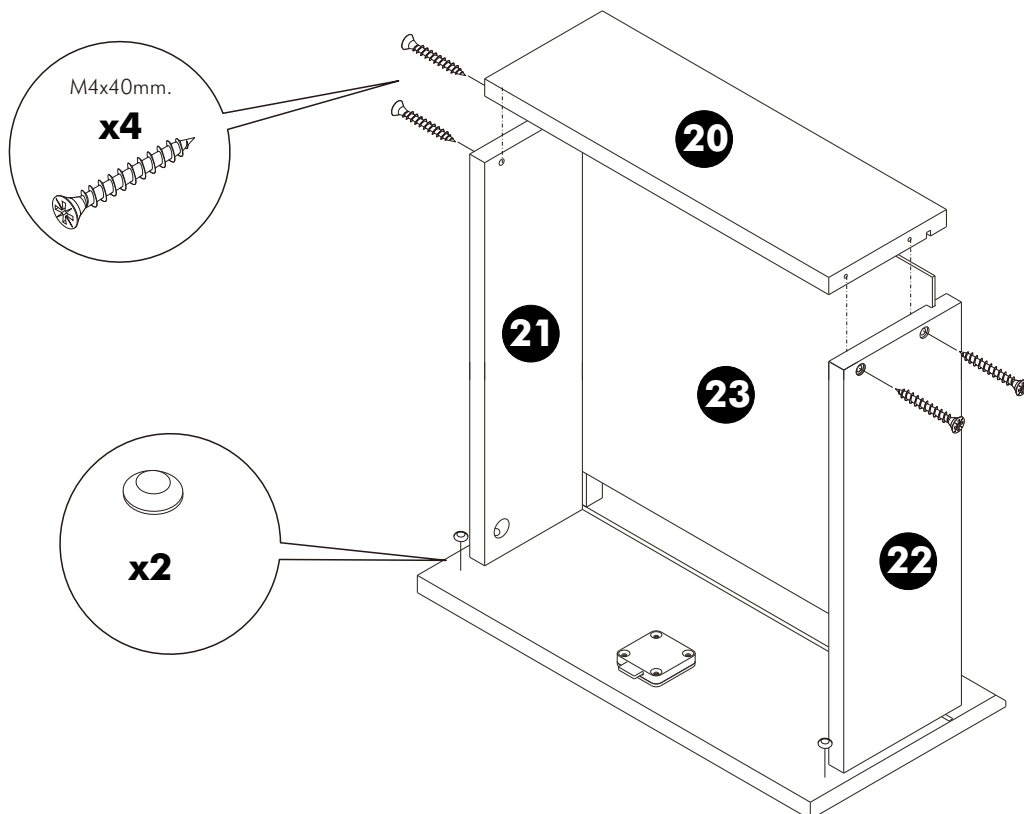
2.



3.



4.



ASSEMBLY

-DRAWER SET

